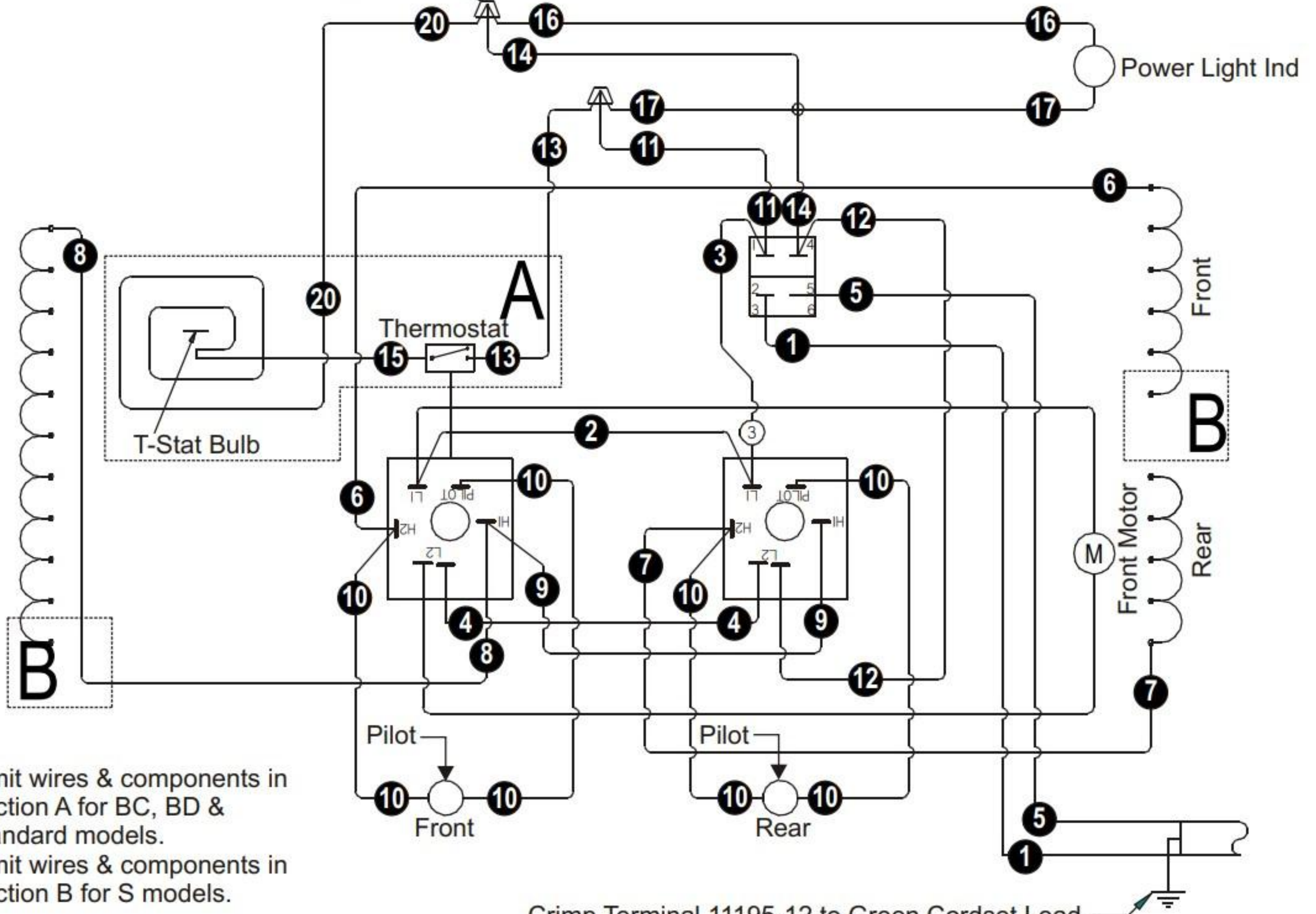


(View with unit upside down, looking from the back.)

Use 11960-00 (2ea)



**NOTE:**

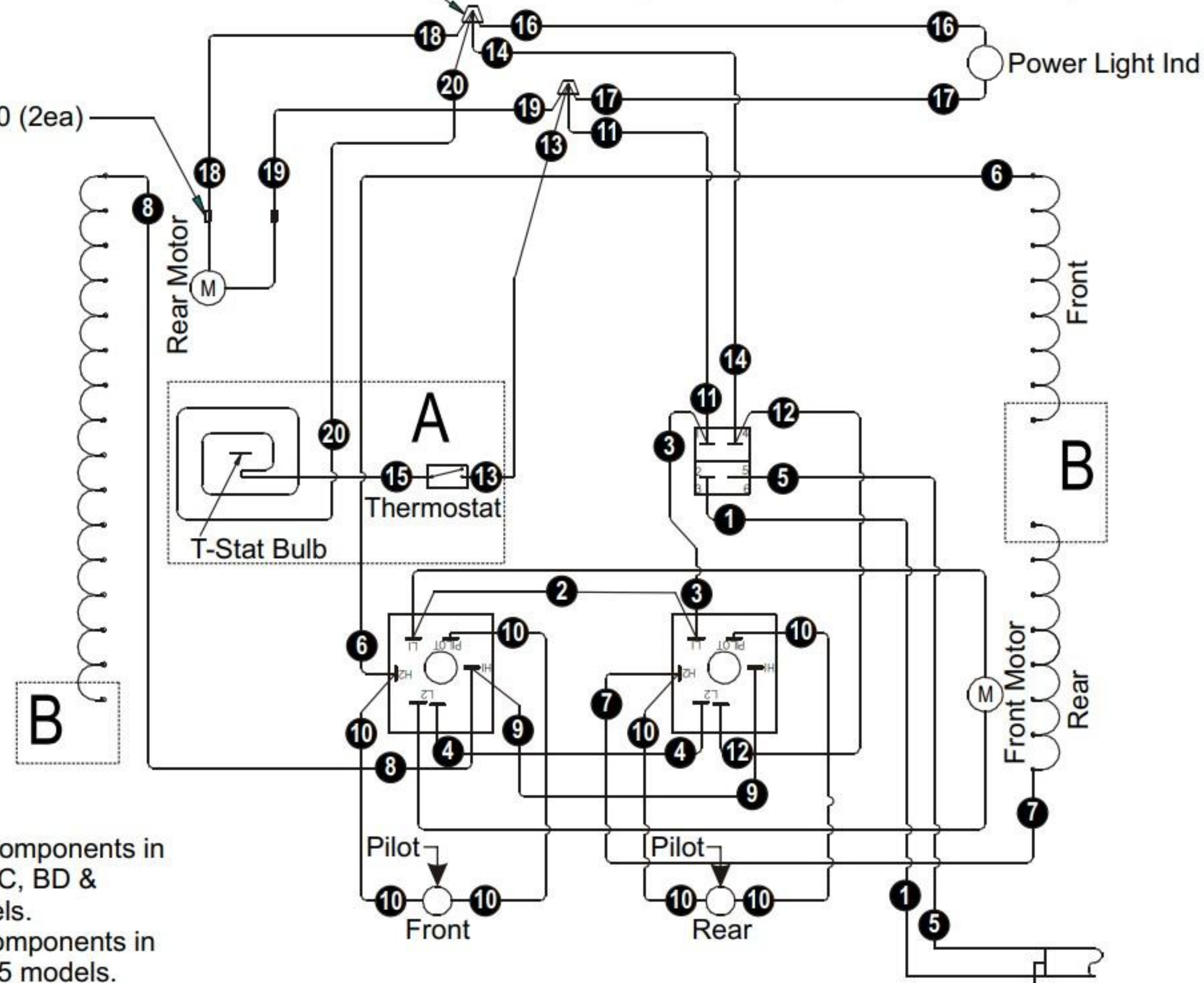
1. Omit wires & components in section A for BC, BD & standard models.
2. Omit wires & components in section B for S models.

Crimp Terminal 11195-12 to Green Cordset Lead.

11960-00 (2ea)

(View with unit upside down, looking from the back.)

Use Item #10 (2ea)



- NOTE:**
1. Omit wires & components in section A for BC, BD & standard models.
  2. Add wires & components in section B for 85 models.

Crimp Terminal 11195-12 to Green Cordset Lead.