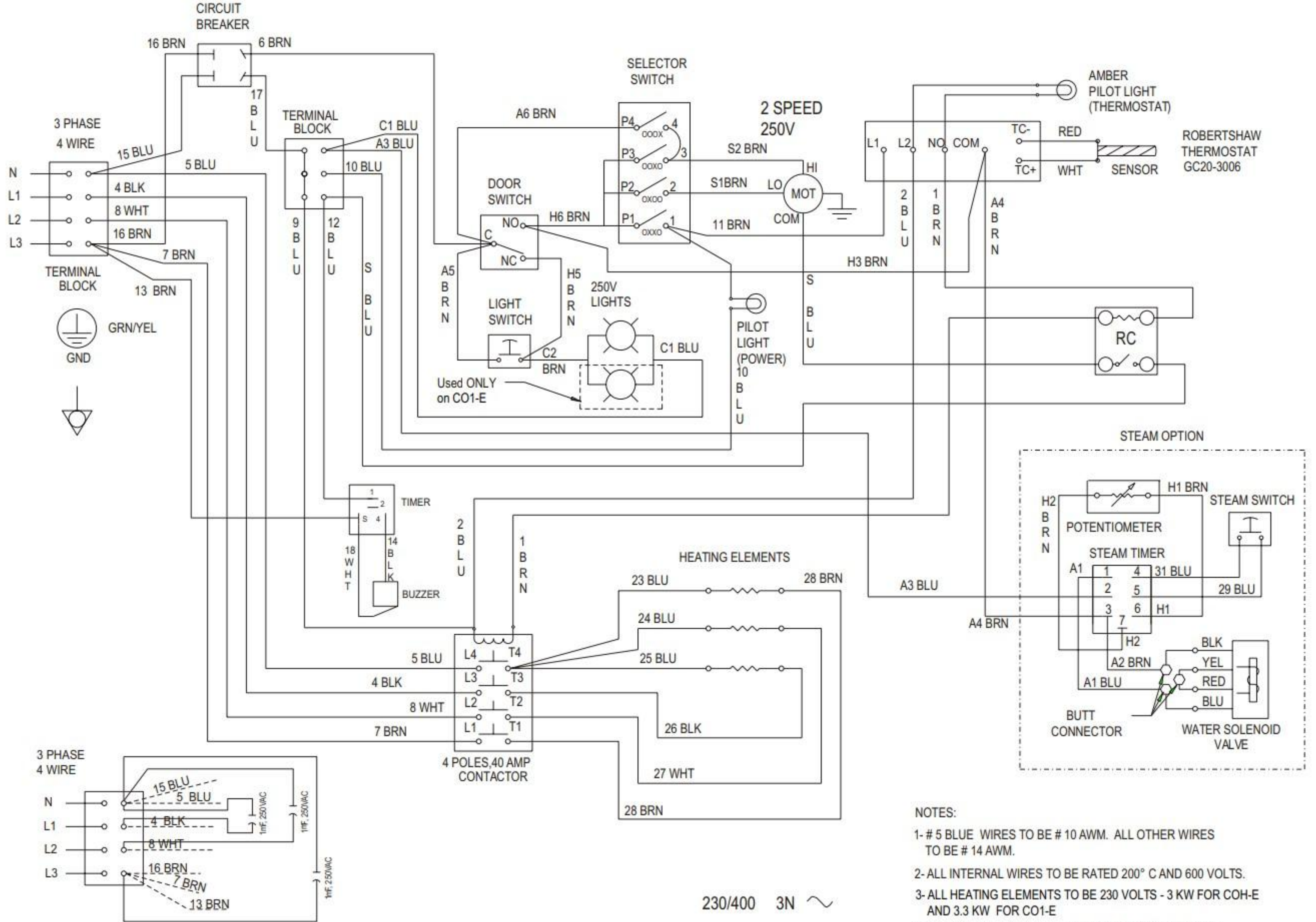


208V	1
220-240V	1
208 V	3
220-240 V	3

- NOTE:
- # 5 BLK & #7 WHT WIRES TO BE # 10 AWM. ALL OTHER WIRES TO BE # 14 AWM.
 - ALL INTERNAL WIRES TO BE RATED 200° C AND 600 VOLTS.
 - ALL HEATING ELEMENTS TO BE 208V OR 230V - 3 Kw FOR COH-E AND 3.3 Kw FOR CO1-E.



- NOTES:
- 1- # 5 BLUE WIRES TO BE # 10 AWM. ALL OTHER WIRES TO BE # 14 AWM.
 - 2- ALL INTERNAL WIRES TO BE RATED 200° C AND 600 VOLTS.
 - 3- ALL HEATING ELEMENTS TO BE 230 VOLTS - 3 KW FOR COH-E AND 3.3 KW FOR CO1-E
 - 4- ALL POLES DISCONNECT MUST BE PROVIDED BY THE INSTALLER