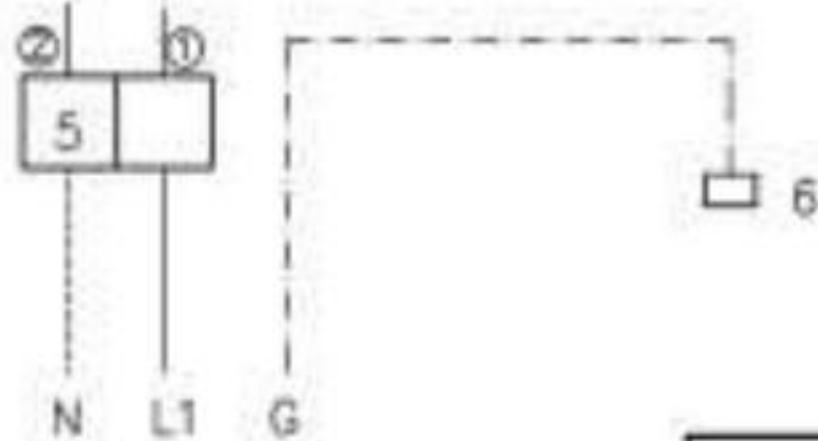
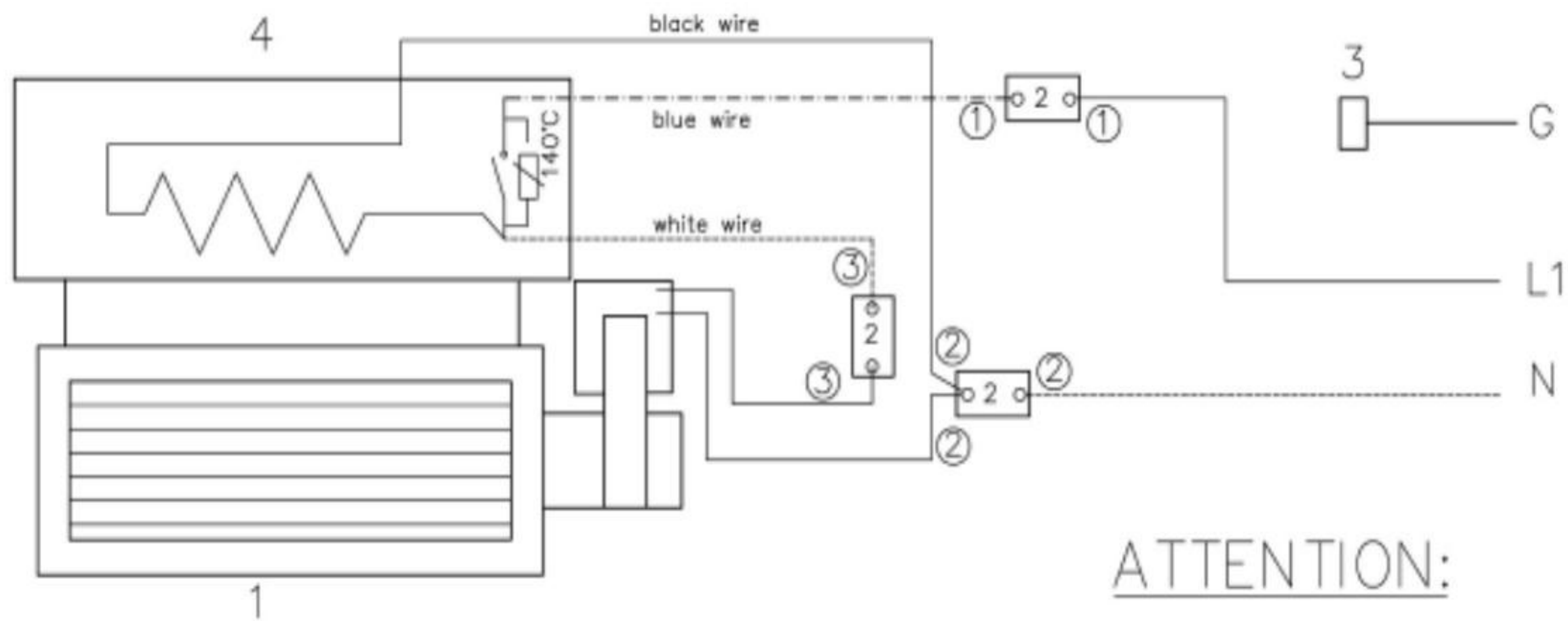


----- HI-TEMP BEIGE
 ----- GREEN
 ----- BLACK

NOTE: CIRCLED NUMBERS DENOTE WIRING LABELS

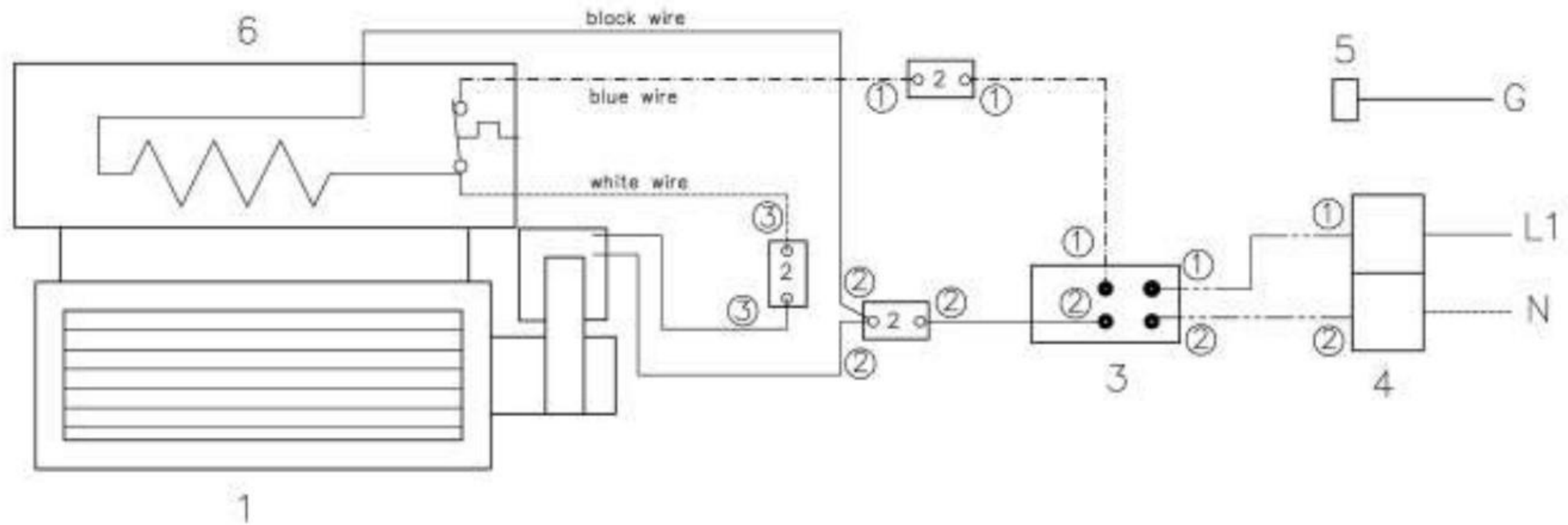
- 1- 120V CERAMIC HEATERS-C0080
- 2- TERMINAL BLOCK CERAMIC-TB0059
- 3- 120V 40W BULB-B0066
- 4- LAMPHOLDER-LH0021
- 5- TERMINAL BLOCK - TB0080
- 6- GROUND LUG- F0111



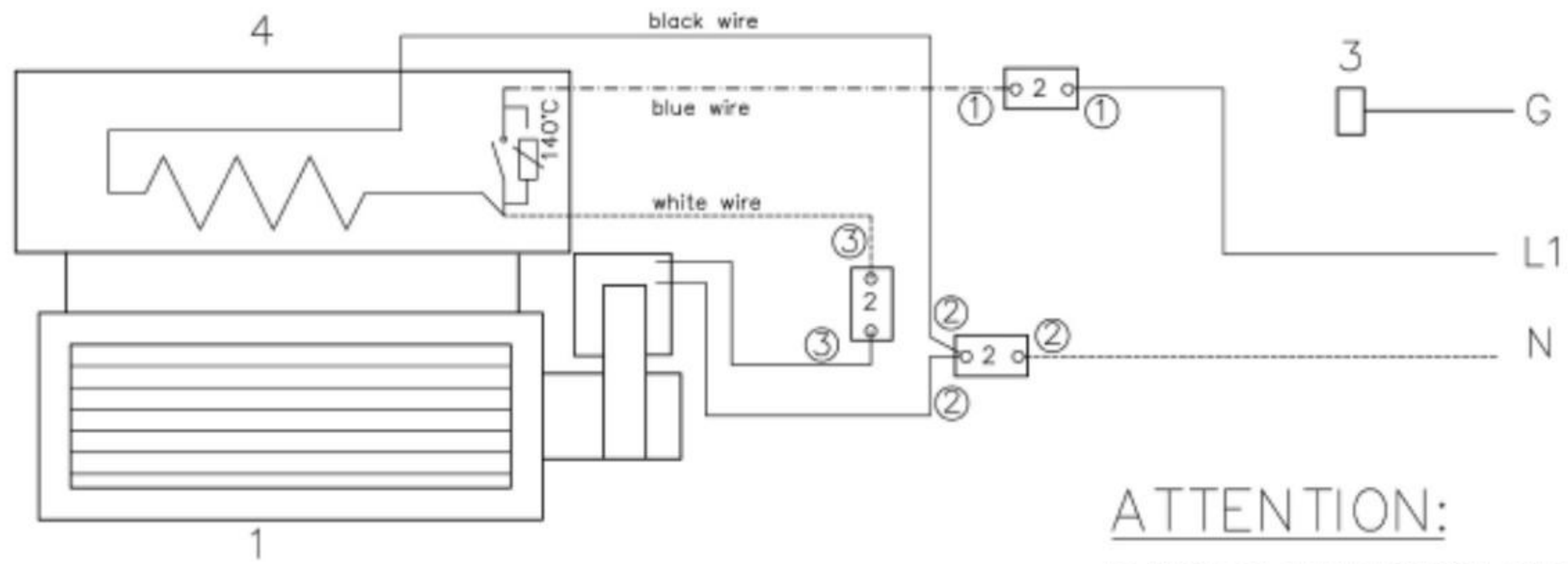


ATTENTION:
 IF BLOWER LIMIT SWITCH TRIPS, TURN

_____ WHITE
 _____ GREEN
 _____ BLACK
 - - - - - BLUE
 - - - - - HI-TEMP



----- WHITE
 _____ GREEN
 _____ BLACK

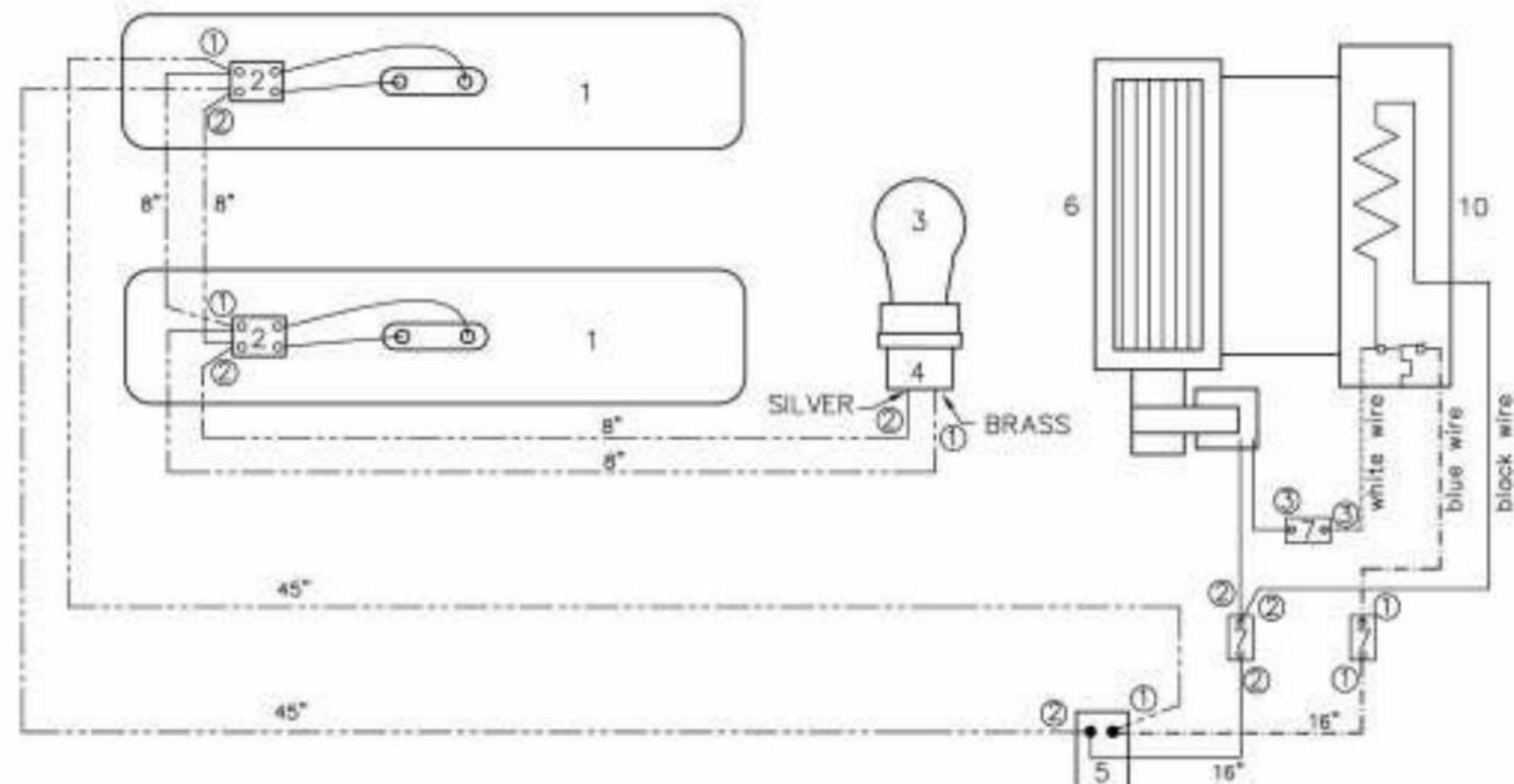


ATTENTION:

IF BLOWER LIMIT SWITCH TRIPS, TURN POWER SWITCH OFF AND WAIT FOR 3 MINUTES. TURN SWITCH BACK ON. IF BLOWER STILL DOES NOT WORK TRY AGAIN AND CALL FOR SERVICE.

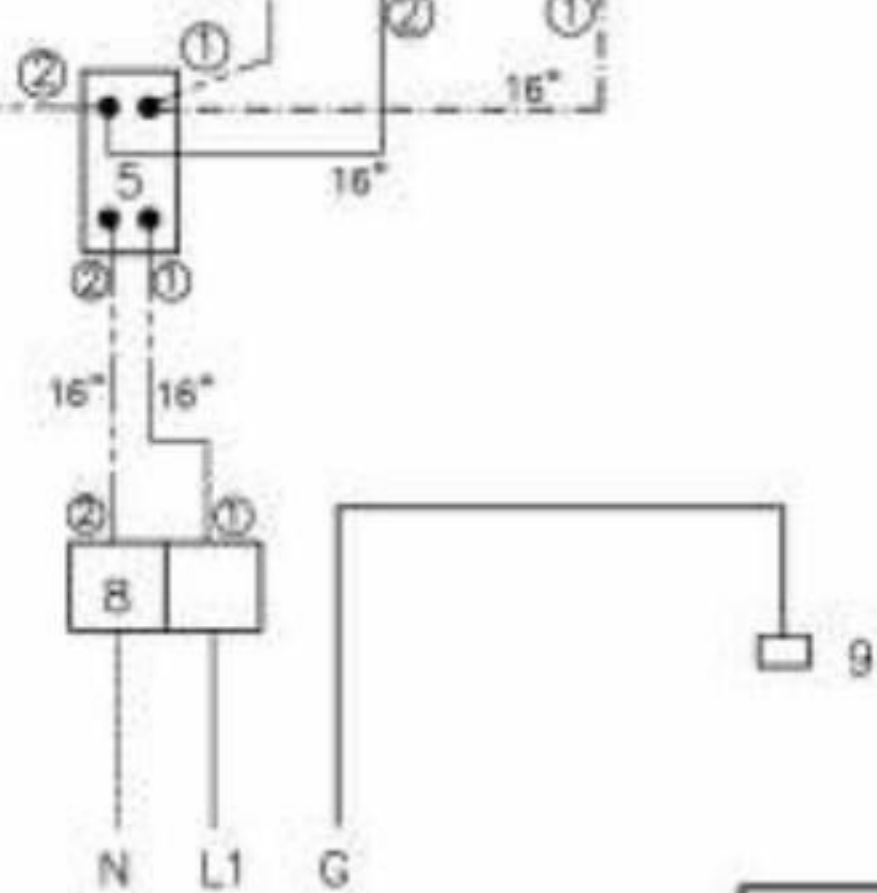
- 1- MOTOR, BLOWER- M0093
- 2- CERAMIC TERMINAL-F0358
- 3- GROUND LUG- F0111
- 4- HEATER- FWT 1000W C0119

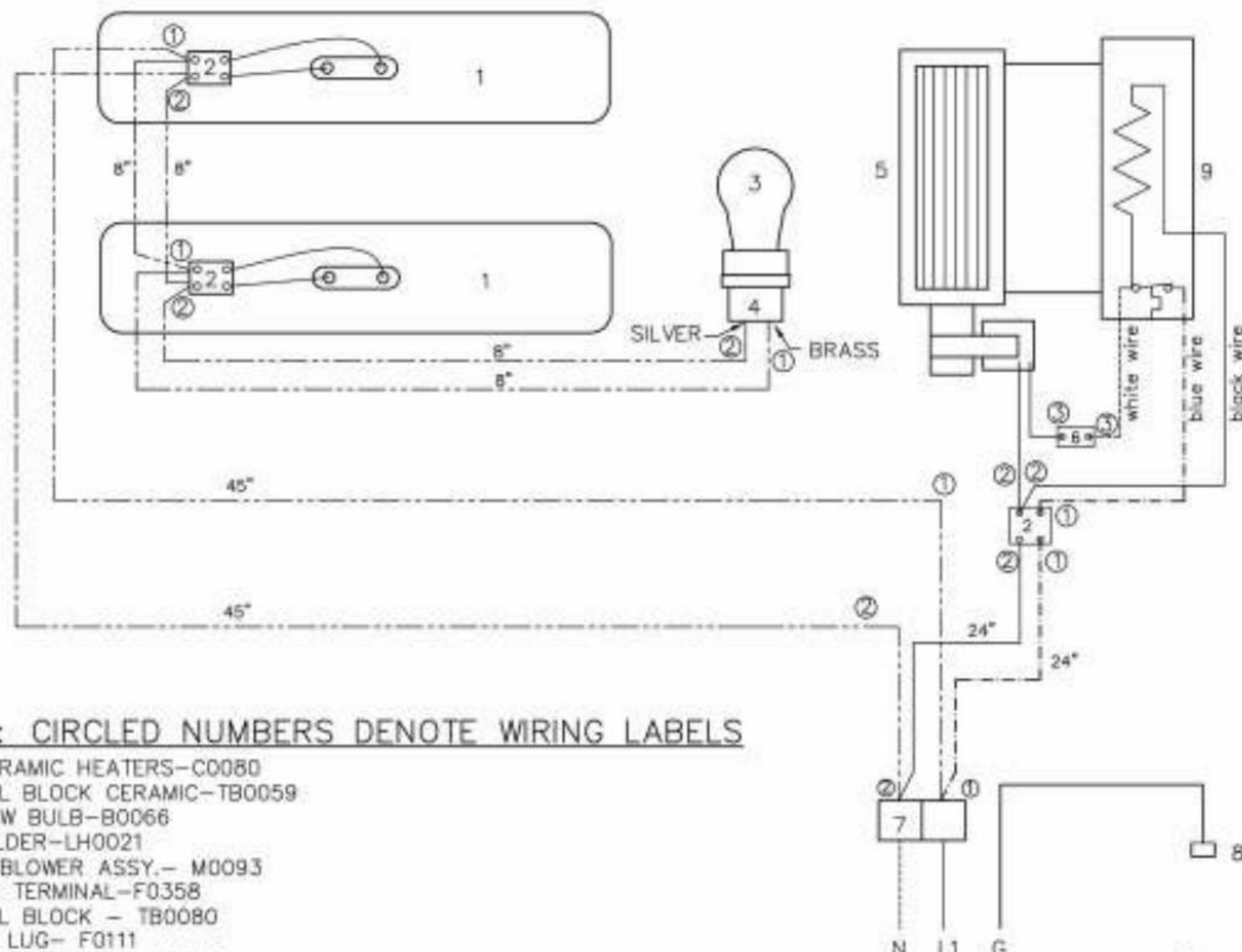
NOTE: CIRCLED NUMBERS DENOTE WIRING LABELS



NOTE: CIRCLED NUMBERS DENOTE WIRING LABELS

- 1- 120V CERAMIC HEATERS-C0057
- 2- TERMINAL BLOCK CERAMIC-TB0059
- 3- 220V 150W BULB-B0555
- 4- LAMPHOLDER-LH0021
- 5- SWITCH - S0356
- 6- MOTOR, BLOWER ASSY.- M0091
- 7- CERAMIC TERMINAL-F0358
- 8- TERMINAL BLOCK - TB0080
- 9- GROUND LUG- F0111
- 10- 1000W 120V HEATER- C0127





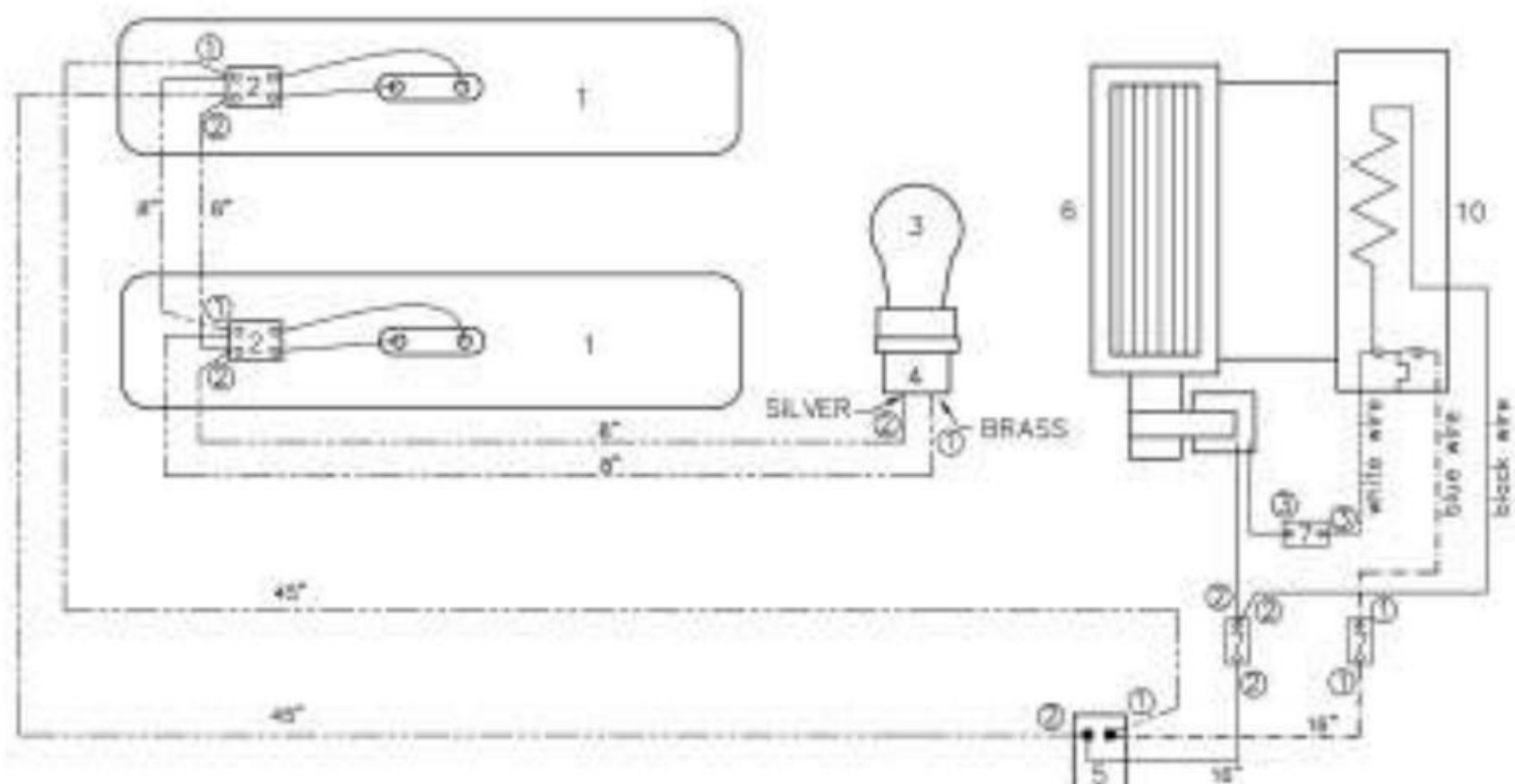
- WHITE
- GREEN
- BLACK
- - - - BLUE
- HI-TEMP

NOTE: CIRCLED NUMBERS DENOTE WIRING LABELS

- 1- 120V CERAMIC HEATERS-C0080
- 2- TERMINAL BLOCK CERAMIC-TB0059
- 3- 120V 40W BULB-B0066
- 4- LAMPHOLDER-LH0021
- 5- MOTOR, BLOWER ASSY.- M0093
- 6- CERAMIC TERMINAL-F0358
- 7- TERMINAL BLOCK - TB0080
- 8- GROUND LUG- F0111
- 9- 1000W 120V HEATER- C0119



_____ WHITE
 _____ GREEN
 _____ BLACK
 - - - - - BLUE
 - - - - - HI-TEMP



NOTE: CIRCLED NUMBERS DENOTE WIRING LABELS

- 1- 120V CERAMIC HEATERS-C0080
- 2- TERMINAL BLOCK CERAMIC-TB0059
- 3- 120V 40W BULB-B0086
- 4- LAMPHOLDER-LH0021
- 5- SWITCH - S0356 Δ
- 6- MOTOR, BLOWER ASSY.- M0090 Δ OR M0093 Δ
- 7- CERAMIC TERMINAL-F0358
- 8- TERMINAL BLOCK - TB0080 Δ
- 9- GROUND LUG- FD111
- 10- 1000W 120V HEATER- C0119 Δ

