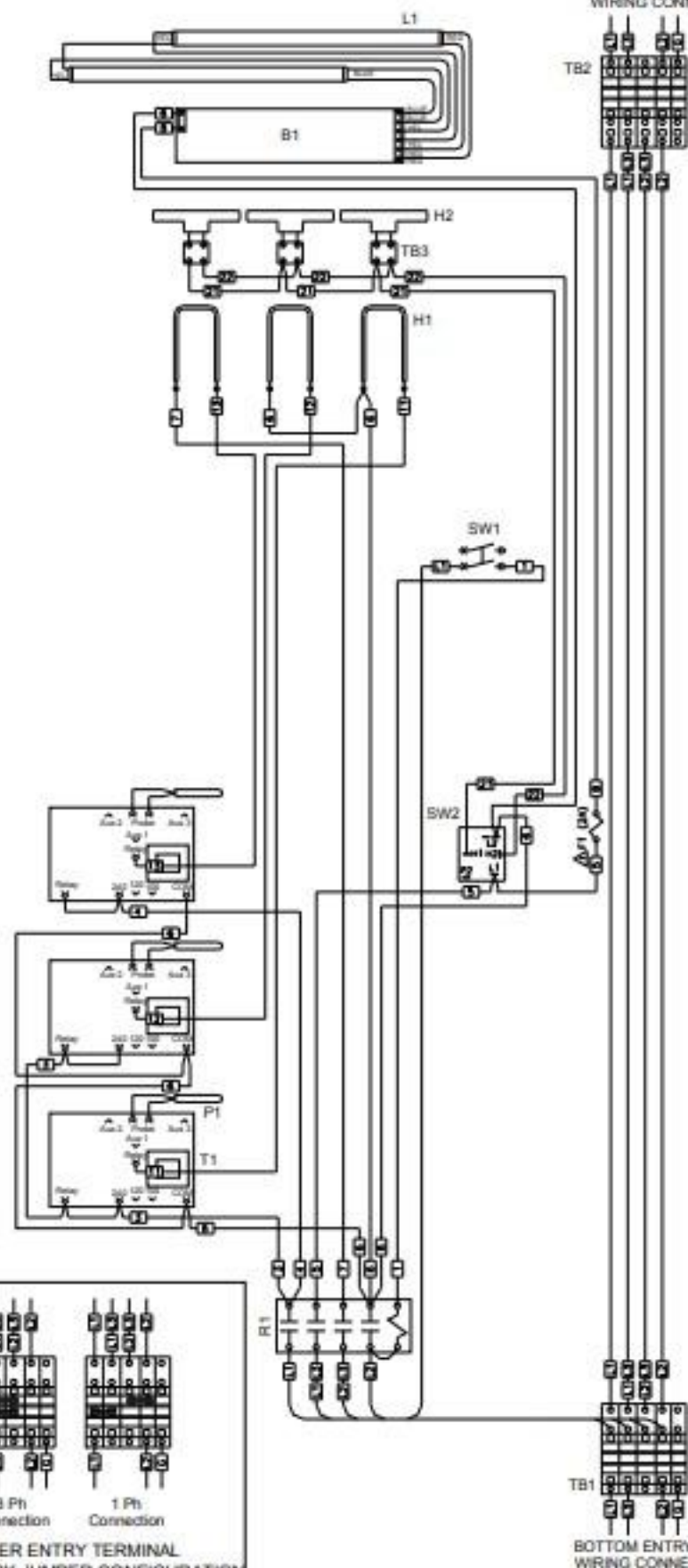
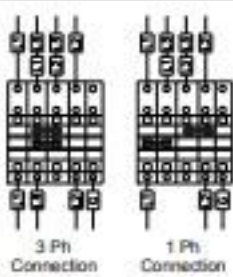
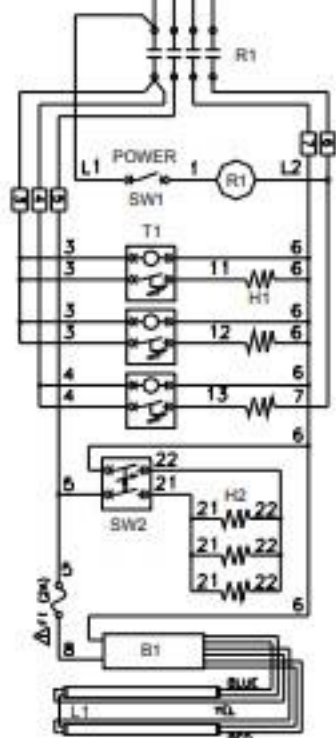
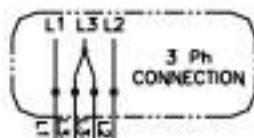
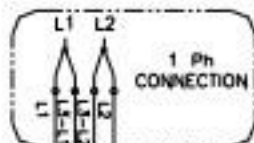


TOP ENTRY
WIRING CONNECTION



COMPONENT LEGEND

KEY	Part No.	DESCRIPTION
B1	B0090	BALLAST, T5 x 2 LAMPS
F1	F0123	FUSE, 2A
	FH0001	FUSE HOLDER
H1	C0375	HEATING ELEMENT, 750W, 208V
	C0378	HEATING ELEMENT, 750W, 230V
H2	C0057	HEATING ELEMENT, 400W, 230V
L1	FL0044	LAMP, F21T5, SHATTERPROOF
P1	T0174	PROBE, THERMISTOR
R1	R0150	CONTACTOR, 50A, 250V
SW1	S0356	SWITCH, ROCKER
SW2	S0141	INFINITE SWITCH
	K0063	KNOB w/ INDICATOR
T1	T0110	THERMOSTAT
	K0063	KNOB w/ INDICATOR
TB1	TB0003	TERMINAL SECTION, 3 POLE
	TB0004	END PLATE, TERMINAL SEC.
TB2	TB0005	GROUND TERM. SEC., 3 POLE
	TB0109	END STOP, TERMINAL SEC.
TB3	TB0059	TERM. BLOCK, 2 POLE CERAMIC



POWER ENTRY TERMINAL
BLOCK JUMPER CONFIGURATION

INSTALL JUMPERS ONLY IN TERMINAL
BLOCK FIELD WIRING CONNECTION
IS MADE (TOP or BOTTOM ENTRY).

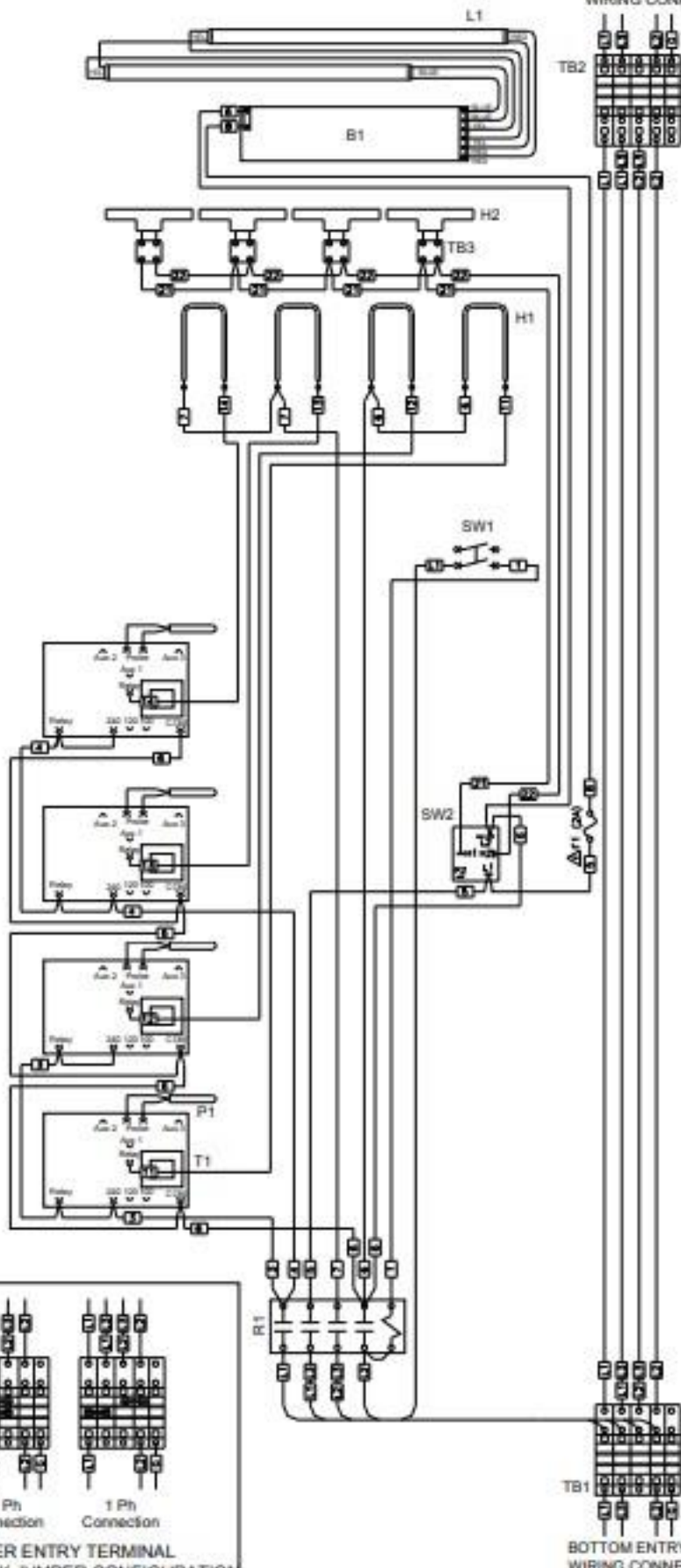
MODEL No.	VOLTAGE	AMPS.	KILOWATTS	BREAKER SIZE
MHB-3	208	15.9 or 10.7	3.3	20 or 15
PHASE	No. OF WIRES			
1 or 3	3 or 4	220	14.7 or 10.0	3.2
240		16.0 or 10.9	3.8	20 or 15

REV. No.
(1) 13-062

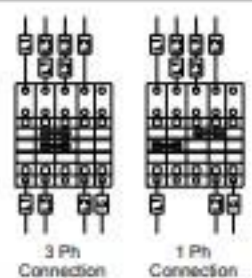
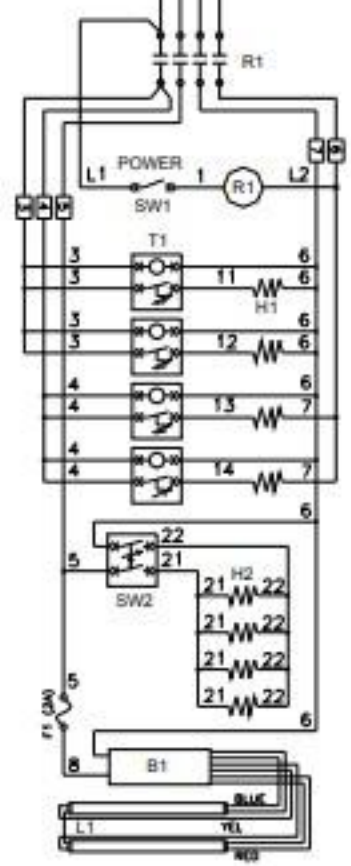
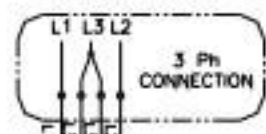
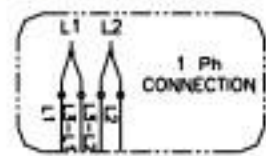


TYPE/SIZE DRAWING No.
S, B, 64490100

TOP ENTRY
WIRING CONNECTION



COMPONENT LEGEND		
KEY	Part No.	DESCRIPTION
B1	B0090	BALLAST, T5 x 2 LAMPS
F1	F0123	FUSE, 2A
	FH0001	FUSE HOLDER
H1	C0375	HEATING ELEMENT, 750W, 208V
	C0376	HEATING ELEMENT, 750W, 230V
H2	C0057	HEATING ELEMENT, 400W, 230W
L1	FL0045	LAMP, F28T5, SHATTERPROOF
P1	T0174	PROBE, THERMISTOR
R1	R0150	CONTACTOR, 50A, 230V
SW1	S0358	SWITCH, ROCKER
SW2	S0141	INFINITE SWITCH
	K0053	KNOB w/ INDICATOR
T1	T0110	THERMOSTAT
	K0053	KNOB w/ INDICATOR
TB1	TB0003	TERMINAL SECTION, 3 POLE
	TB0004	END PLATE, TERMINAL SEC.
TB2	TB0005	GROUND TERM. SEC., 3 POLE
	TB0109	END STOP, TERMINAL SEC.
TB3	TB0059	TERM. BLOCK, 2 POLE CERAMIC



POWER ENTRY TERMINAL
BLOCK JUMPER CONFIGURATION

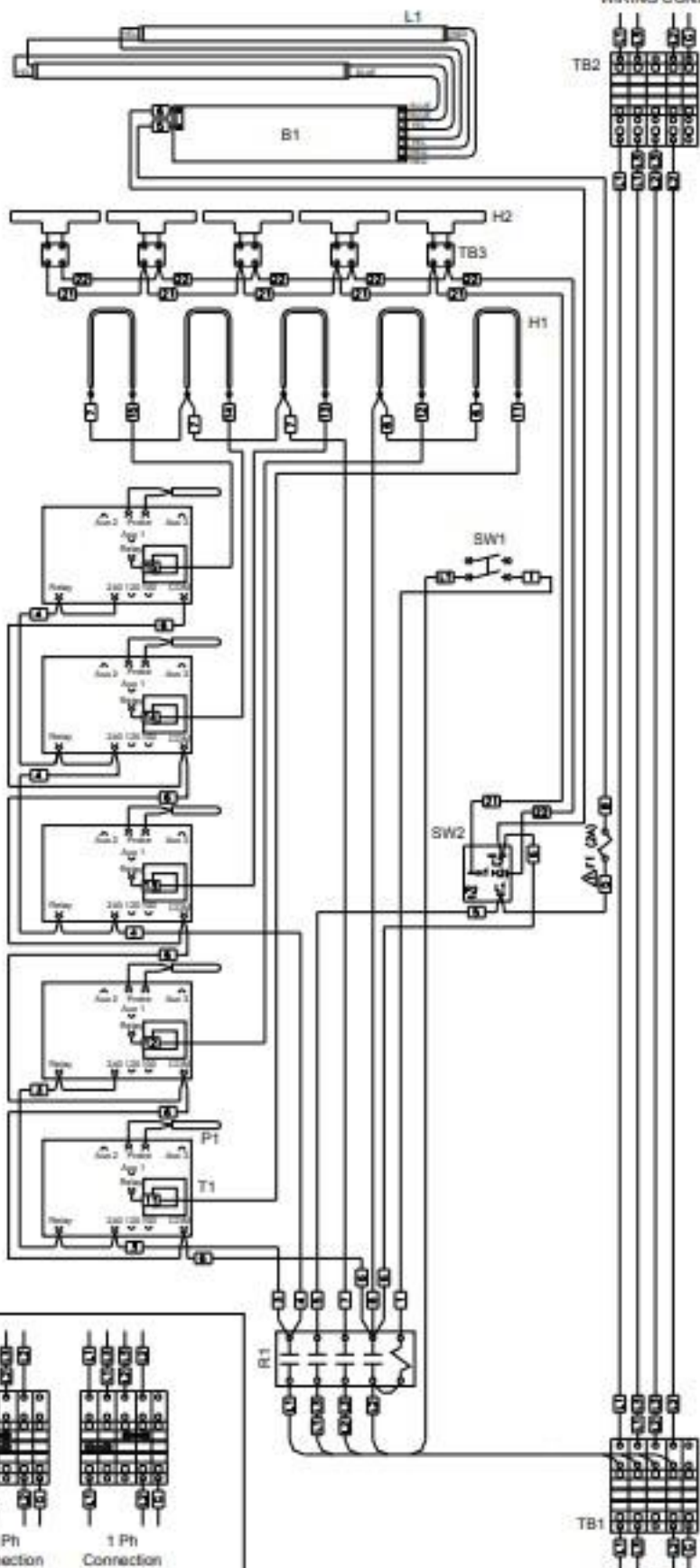
INSTALL JUMPERS ONLY IN TERMINAL
BLOCK FIELD WIRING CONNECTION
IS MADE (TOP or BOTTOM ENTRY).

MODEL No.	VOLTAGE	AMPS,	KILOWATTS	BREAKER SIZE
MHB-4	208	21.1 or 12.5	4.4	30 or 20
PHASE	No. OF WIRES			
1 or 3	3 or 4	220	19.5 or 11.5	4.3
240		21.2 or 12.5	5.1	30 or 20



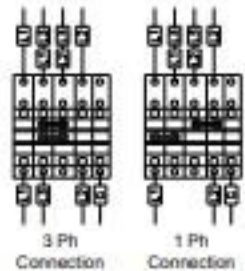
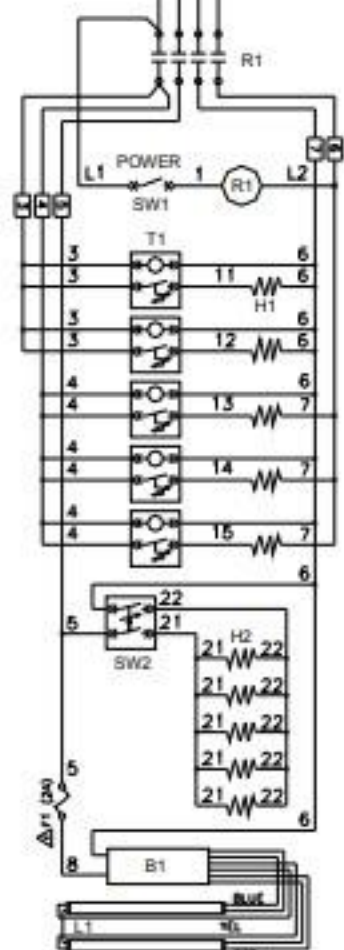
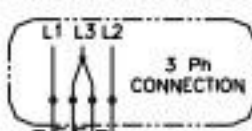
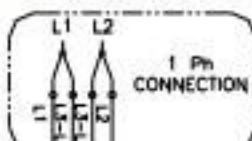
REV. No.	TYPE/SIZE	DRAWING No.
(1) 13-062	S, B	64490200

TOP ENTRY
WIRING CONNECTION



COMPONENT LEGEND

KEY	Part No.	DESCRIPTION
B1	B0090	BALLAST, T5 x 2 LAMPS
F1	F0123	FUSE, 2A
	FH0001	FUSE HOLDER
H1	C0375	HEATING ELEMENT, 750W, 208V
	C0376	HEATING ELEMENT, 750W, 230V
	C0057	HEATING ELEMENT, 400W, 230V
L1	FL0046	LAMP, F35T5, SHATTERPROOF
P1	T0174	PROBE, THERMISTOR
R1	R0150	CONTACTOR, 50A, 230V
SW1	S0356	SWITCH, ROCKER
SW2	S0141	INFINITE SWITCH
	K0053	KNOB w/ INDICATOR
T1	T0110	THERMOSTAT
	K0053	KNOB w/ INDICATOR
TB1	TB0003	TERMINAL SECTION, 3 POLE
&	TB0004	END PLATE, TERMINAL SEC.
TB2	TB0005	GROUND TERM. SEC., 3 POLE
	TB0109	END STOP, TERMINAL SEC.
TB3	TB0050	TERM. BLOCK, 2 POLE CERAMIC



POWER ENTRY TERMINAL BLOCK JUMPER CONFIGURATION

INSTALL JUMPERS ONLY IN TERMINAL BLOCK FIELD WIRING CONNECTION IS MADE (TOP or BOTTOM ENTRY).

MODEL No.	VOLTAGE	AMPS.	KILOWATTS	BREAKER SIZE	
MHB-5	208	29.9 or 18.7	6.2	40 or 25	
PHASE 1 or 3	No. OF WIRES 3 or 4	220	27.4 or 16.2	6.0	40 or 25
DRAWN BY TAH	DATE 03/15/13	240	29.8 or 17.7	7.2	40 or 25

REV. No.
(1) 13-062



TYPE/SIZE DRAWING No.
S, B, 64490300