



30 Pine Street • New Rochelle • New York • 10801  
 914 / 576 - 0200  
 914 / 576 - 0605 fax  
 1 - 800 - 431 - 2745 US & Canada  
 www.bakerspride.com web address

# FLB-36R/GS

Gas Char Broiler

## PARTS LIST

*Dante*  
SERIES



Model Number: **FLB-36R/GS**

Serial Number \_\_\_\_\_

**Type of Gas**

Natural

L.P.

Other

# FLB-36R/GS

Gas Char Broiler

30 Pine Street • New Rochelle • New York • 10801

914 / 576 - 0200

914 / 576 - 0605 fax

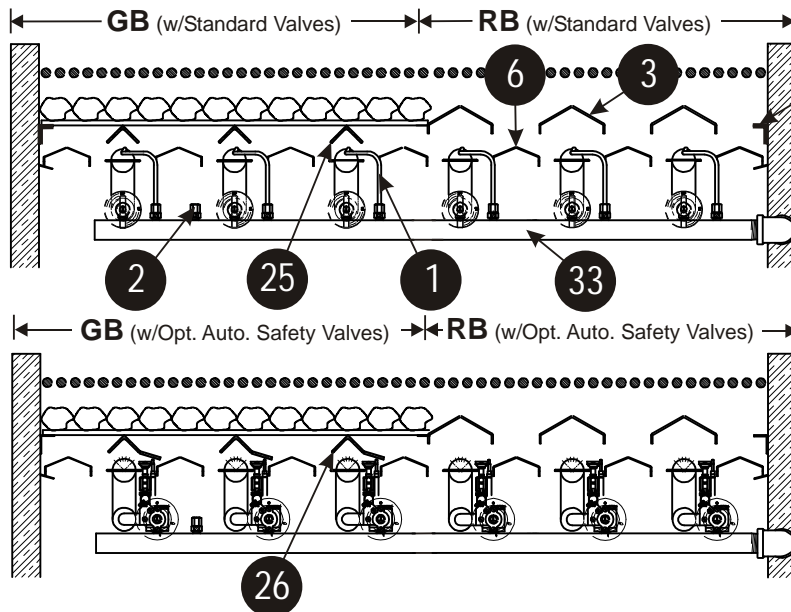
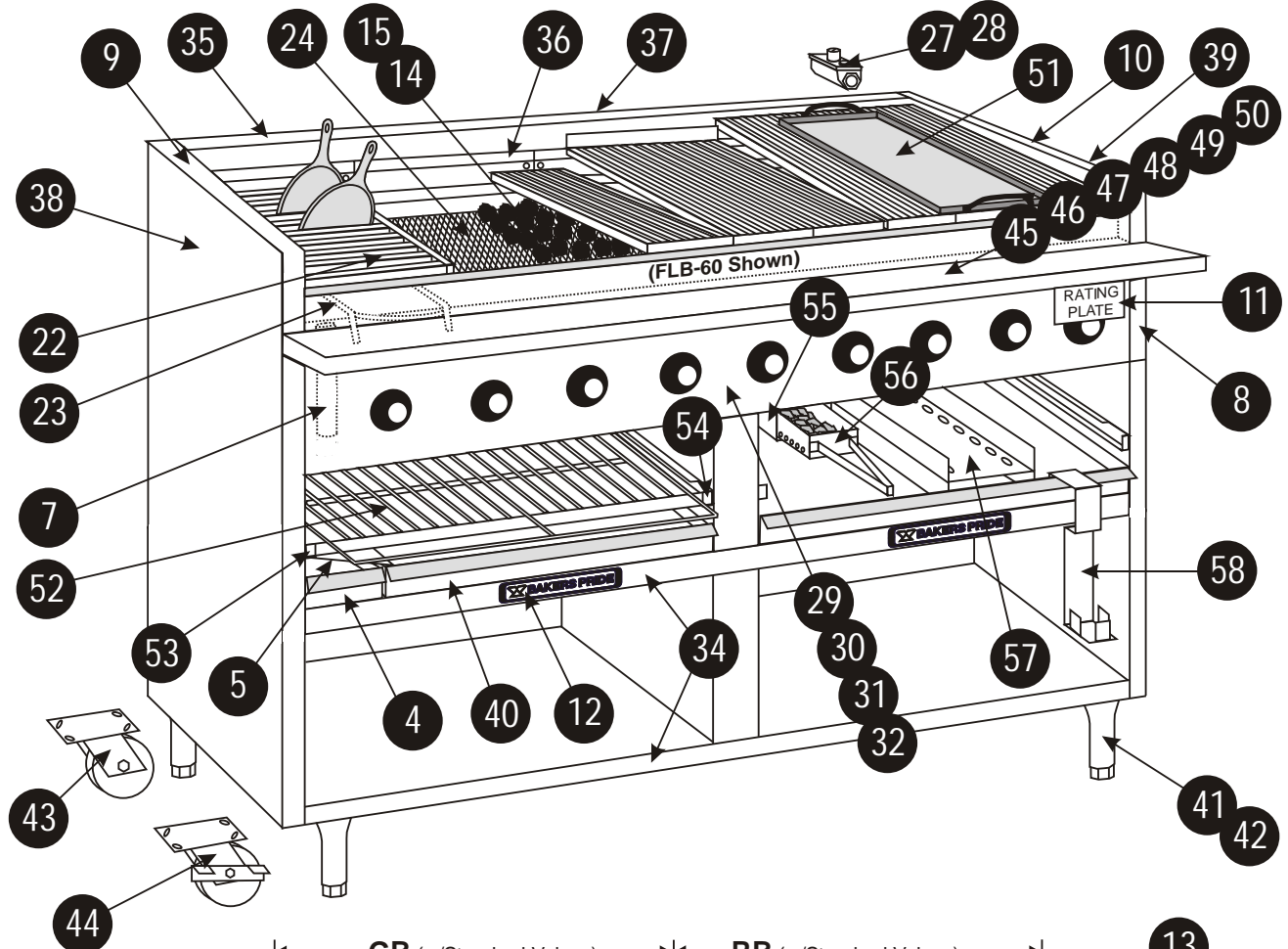
1 - 800 - 431 - 2745 US & Canada

www.bakerspride.com web address



Figure A

## Exterior / Interior





30 Pine Street • New Rochelle • New York • 10801  
 914 / 576 - 0200  
 914 / 576 - 0605 fax  
 1 - 800 - 431 - 2745 US & Canada  
 www.bakerspride.com web address

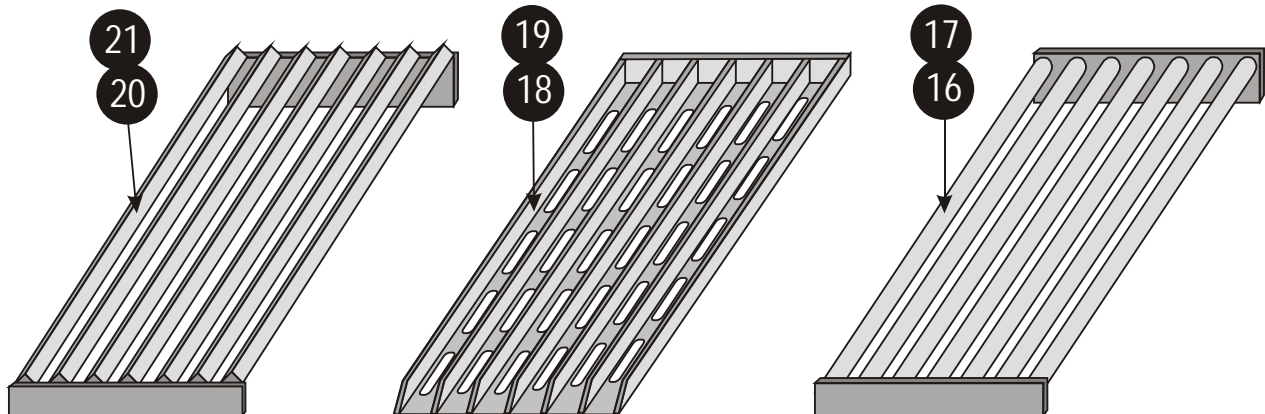
# FLB-36R/GS

Gas Char Broiler

| Item                       | Part # | Description                             | Item | Part # | Description                         |
|----------------------------|--------|---|------|--------|-------------------------------------|
| <b>Exterior / Interior</b> |        |   |      |        |                                     |
| 1                          | R3042X | Pilot Tube, 7 3/8" w/Nut & Ferrule      | 30   | G5172K | Control Panel, CE-36                |
| 2                          | N3068P | Pressure Tap Nozzle                     | 31   | U1321A | Control Panel Overlay-36            |
| 3                          | G5073X | Radiant S/S (Standard)                  | 32   | U1326A | Control Panel Overlay, CE-36        |
| 4                          | G5069K | Grease Drawer                           | 33   | R1120A | Manifold-36                         |
| 5                          | G5070U | Grease Shield Assy                      | 34   | G5160K | Front Trim-36                       |
| 6                          | G5072K | Heat Shield                             | 35   | G5164K | Back Trim-36                        |
| 7                          | G5126U | Grease Drain Assy-36                    | 36   | G5142K | Top Grate Support, 16" /2           |
| 8                          | G5212K | Manifold Cover                          | 37   | G5148K | Outer Back-FLB36                    |
| 9                          | G5060K | Side Trim, Left                         | 38   | G5052K | Outer Side, Left-FLB                |
| 10                         | G5061K | Side Trim, Right                        | 39   | G5053K | Outer Side, Right-FLB               |
| 11                         | G5205K | Rating/Instruction Plate Mount          | 40   | G5179K | Drip Pan, 28 1/2" /1                |
| 12                         | U1044X | Bakers Pride Name Plate, 8"             | 41   | S1049A | Legs, 6" (Standard) each            |
| 13                         | G5039K | Bottom Grate Support, L or R Side       | 42   | S1049Y | Legs, 6" (Standard) Set/4           |
| 14                         | T1047X | Glo-Stones, 1/2 Lot (20#)               | 43   | S1022X | Casters, 4" No/Lock (Optional) each |
| 15                         | T1048X | Glo-Stones, Full Lot (40#)              | 44   | S1023X | Casters, 4" W/Lock (Optional) each  |
| 16                         | T1197X | Top Roll-A-Grate, 9" (Standard) /1      | 45   | G5130K | Work Deck-36                        |
| 17                         | T1198X | Top Roll-A-Grate, 6" (Standard) /4      | 46   | G5122U | Front Brace Assy-36                 |
| 18                         | T1212A | Top Grate, 6", Cast Iron (Optional)     | 47   | G5235K | Work Deck-36, 10"                   |
| 19                         | T1216A | Top Grate, 4 1/2", Cast Iron (Optional) | 48   | G5236U | Front Brace Assy-36, 10"            |
| 20                         | T1210X | Meat Grate, 6" (Optional)               | 49   | G5304K | Work Deck-36, 12"                   |
| 21                         | T1211X | Meat Grate, 9" (Optional)               | 50   | G5305U | Front Brace Assy-36, 12"            |
| 22                         | T1213T | Fajita Top Grate (Optional)             | 51   | T1209U | Breakfast Griddle, 11"W (Optional)  |
| 23                         | T1214T | Fajita Bottom Grate (Optional)          | 52   | T1208U | Wire Rack, 33" /1                   |
| 24                         | T1202A | Bottom Grate, S/S, 32" /1               | 53   | G5131U | Left Wire Rack Guide Assy           |
| 25                         | G5040U | Bottom Grate Support /5                 | 54   | G5132U | Right Wire Rack Guide Assy          |
| 26                         | G5041U | Bottom Grate Support (CE) /5            | 55   | G5180U | Smoker Box Assy (No Drawer)         |
| 27                         | M1009X | Pressure Regulator 3/4", 10"WC (LP)     | 56   | G5187U | Drawer, Smoker Box                  |
| 28                         | M1184X | Pressure Regulator 3/4", 3.5"WC(Nat)    | 57   | G5182U | Log Support (Optional)              |
| 29                         | G5168K | Control Panel-36                        | 58   | G5186K | Bottle Holder, RH (Optional)        |

**Figure B**

**Grates**



# FLB-36R/GS

Gas Char Broiler

30 Pine Street • New Rochelle • New York • 10801

914 / 576 - 0200

914 / 576 - 0605 fax

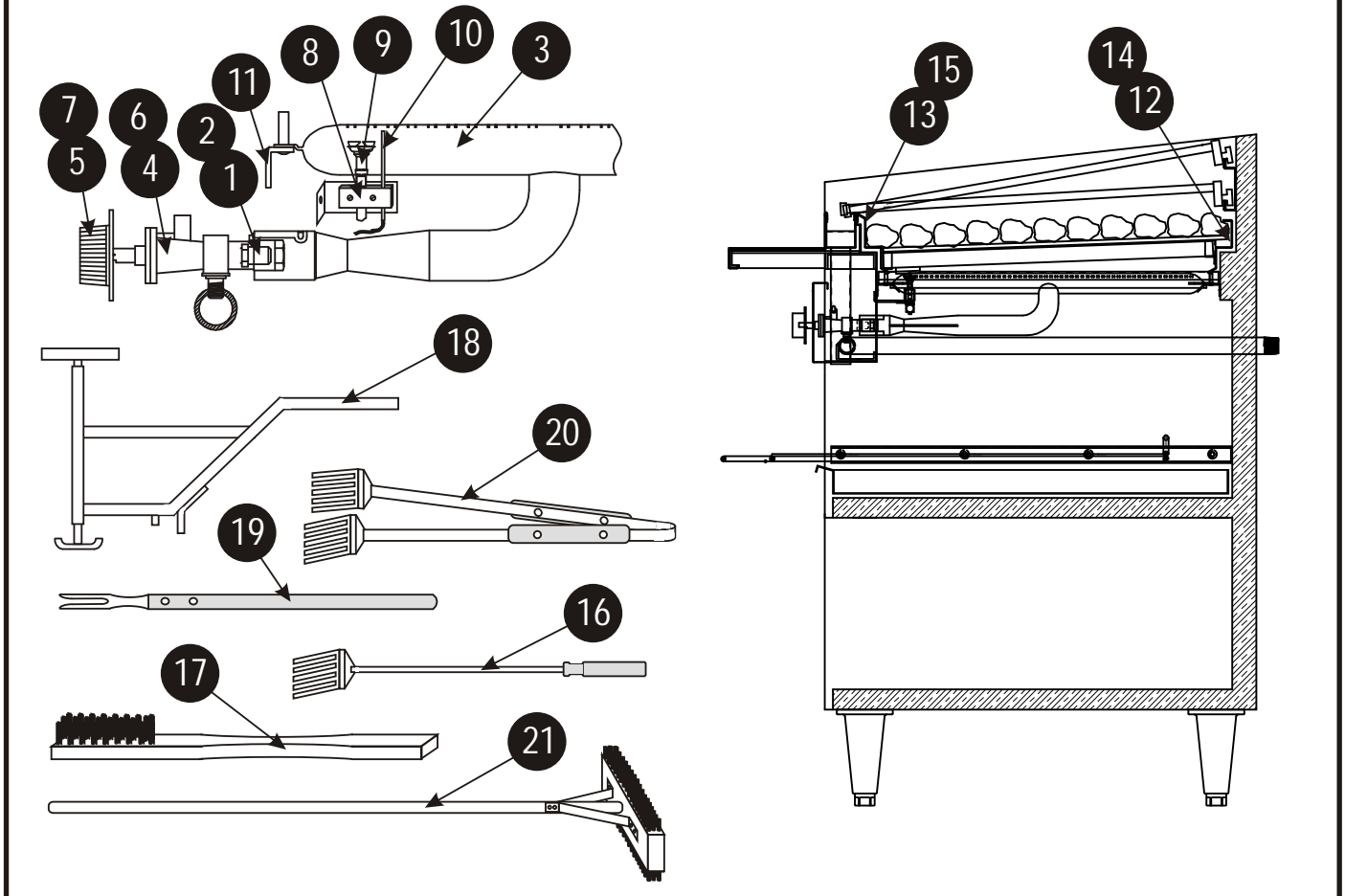
1 - 800 - 431 - 2745 US & Canada

www.bakerspride.com web address



**Figure C**

## Burner / Accessories / Supports



| Item                              | Part # | Description                               | Item                              | Part # | Description                         |
|-----------------------------------|--------|---|-----------------------------------|--------|-------------------------------------|
| 1                                 | R3136X | Hood Orifice #54 (LP)                     | 12                                | G5044U | Radiant Support Assy, Rear 18" /1   |
| 2                                 | R3130X | Hood Orifice #44 (Nat)                    | 13                                | G5046U | Radiant Support Assy, Front 18" /1  |
| 3                                 | L5077X | Burner, Center Feed                       | 14                                | G5045U | Radiant Support Assy, Rear 12" /1   |
| 4                                 | R3032X | Gas Valve                                 | 15                                | G5047U | Radiant Support Assy, Front 12" /1  |
| 5                                 | S1094X | Knob, Gas Valve                           | 16                                | T5018V | Spatula, Chef-Aide, 20" Single      |
| 6                                 | R3128X | Gas Valve (used w/Pilot Safety)           | 17                                | T5017X | Wire Brush, Chef-Aide, 18"          |
| 7                                 | S1301X | Knob, Gas Valve, CE (used w/Pilot Safety) | 18                                | G5221U | Grate Lifter                        |
| 8                                 | G5064K | Pilot Bracket (used w/Pilot Safety)       | 19                                | T5016A | Meat Fork                           |
| 9                                 | M1359X | Pilot Burner (used w/Pilot Safety)        | 20                                | T5019V | Steak Turner                        |
| 10                                | M1358X | Thermocouple, 10" (used w/Pilot Safety)   | 21                                | T5104V | Twin Head Grate Brush               |
| 11                                | G5030U | Burner Support Assy, 29" /2               |                                   |        |                                     |
| <b>Conversion Kit (LP to Nat)</b> |        |   | <b>Conversion Kit (Nat to LP)</b> |        |                                     |
| 5                                 | R3130X | Hood Orifice #44 (Nat)                    | 5                                 | R3136X | Hood Orifice #54 (LP)               |
| 1                                 | M1184X | Pressure Regulator 3/4", 3.5"WC (Nat)     | 1                                 | M1009X | Pressure Regulator 3/4", 10"WC (LP) |