



**BC-14E COMBI &  
CNV-14E CONVECTION OVEN  
REPLACEMENT PARTS LIST**

**EFFECTIVE JUNE 11, 2015**

Superseding All Previous Parts Lists.

The Company reserves the right to make substitution in the event that items specified are not available.

ERRORS: Descriptive and/or typographic errors are subject to correction.

---

**BLODGETT OVEN COMPANY**

44 Lakeside Avenue, Burlington, Vermont 05401 USA Telephone: (802) 658-6600 Fax: (802) 860-3732  
[www.blodgett.com](http://www.blodgett.com)

*P/N 58035 Rev H*

## **SERIAL NUMBER LOCATION / KEY:**

**IMPORTANT:** When ordering parts, please provide the model, gas type, voltage and serial number of the oven. The identification plate is located on the left side of the control compartment.

## **SERIAL NUMBERS CONTAINING:**

**IU**

**IX**

**JH**

## **EXAMPLE:**

**021896IU023S**

## **TO OBTAIN LITERATURE:**

Email: [literature@blodgett.com](mailto:literature@blodgett.com)

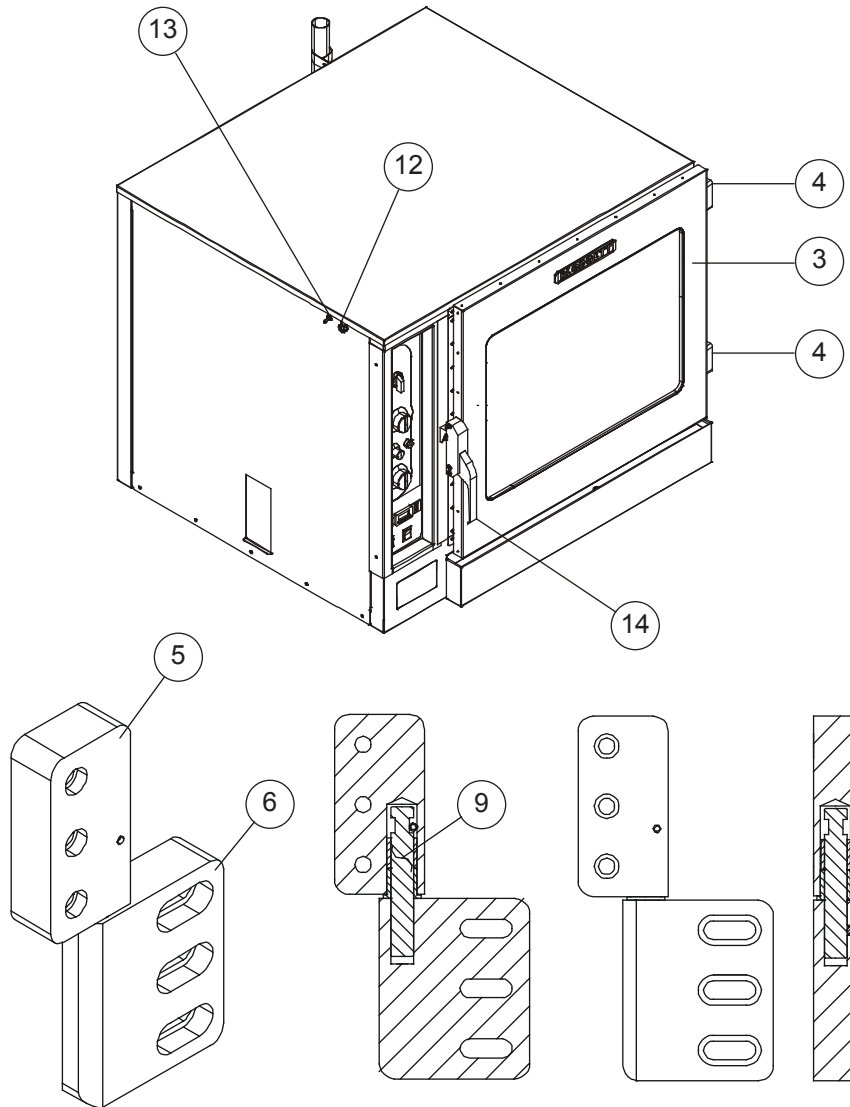
or visit

[www.blodgett.com](http://www.blodgett.com)

# TABLE OF CONTENTS

FRONT VIEW.....	4
CONTROL PANEL, DOOR, EXTERIOR.....	5
CONTROL PANEL EXPLODED VIEWS.....	6
RELAY MODULE ASSEMBLY.....	7
CONVECTION MOTOR COMPONENTS.....	9
PLUMBING COMPONENTS.....	9
CONTROL MODULE ASSEMBLIES.....	10
STEAM GENERATOR COMPONENTS.....	11
INTERIOR COMPONENTS & ACCESSORIES.....	12
SCHEMATICS.....	13

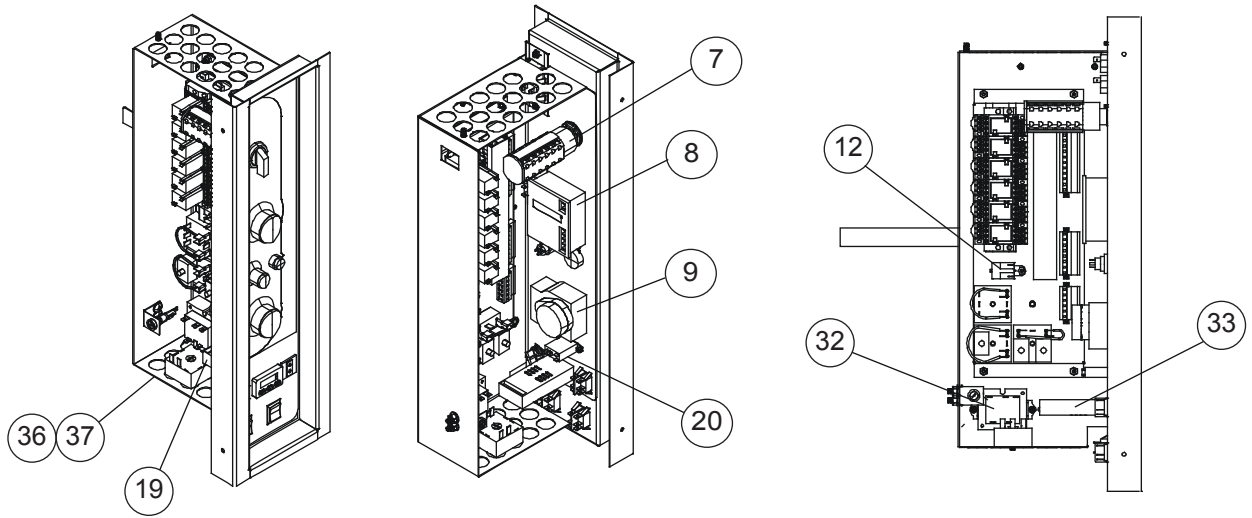
# DOOR & EXTERIOR COMPONENTS



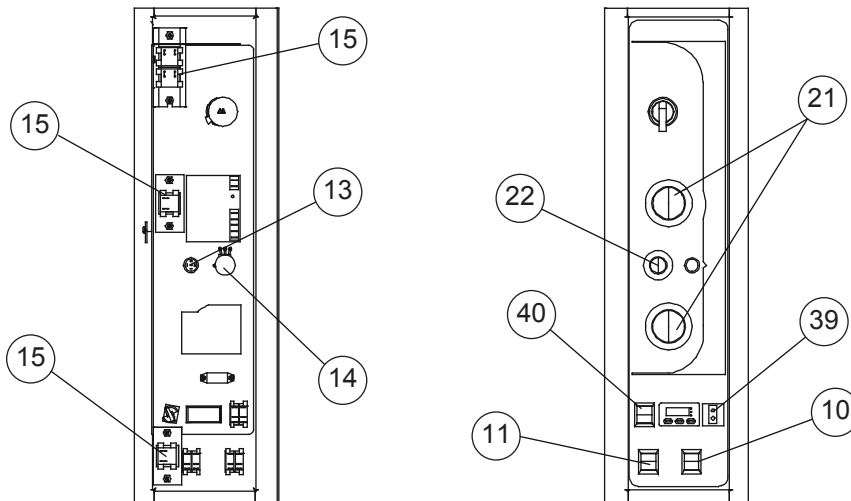
Ref. No.	Part No.	Description
3	R9573	Trough, door drip
	R8628	Door Assy
	90086	Nameplate, Blodgett
	R3695	Gasket, door perimeter
	R3774	Retainer strip, gasket, horizontal
	R3775	Retainer strip, gasket, vertical
	R5797	Glass window, door
	R2105	Gasket, window (per foot)
	R8944	Bracket assy, door switch
4	R8482	Hinge Assy, top and bottom (comprised of parts listed below)
5	R8863	Hinge, upper door assy
6	R8478	Hinge, lower door
9	R8479	Pin, hinge
	R9615	Tape, .01 x .375 VHB (per foot)

Ref. No.	Part No.	Description
	20442	Holder, fuse
	R5755	Fuse, 5 amp (qty 3 for 480V)
	R4875	Guide, door
12	R10062	Kit, delimiting port (service) (comprised of parts listed below)
	R11008	Hose, delimiting, 3/8" ID (5 foot piece)
13	R9400	Switch, toggle, delimiting
15	R6313	Handle, door
	R6314	Screws, door handle
	R2296	Catch Assy, door (comprised of parts listed below)
16	R2780	Latch, door s/s
17	R2781	Catch, door s/s
20	R2825	Screw, machine 10-32 x 3/8 s/s head
21	R0031	Screw, machine M5x 8-16 s/s head (S/N's prior to 1992)

# MANUAL CONTROLS



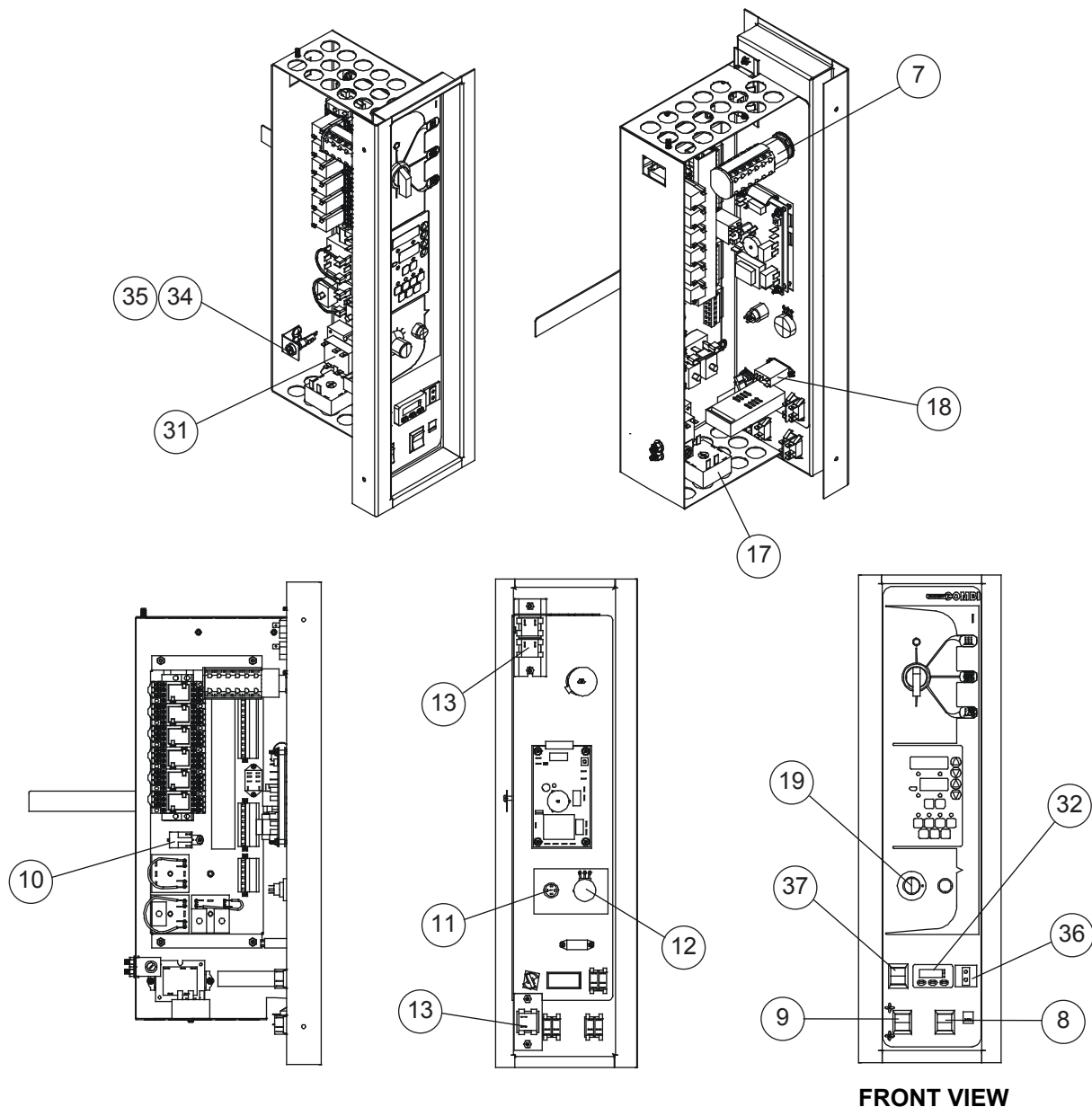
LEFT VIEW



FRONT VIEW

Ref. No.	Part No.	Description	Ref. No.	Part No.	Description
7	R4623	Switch, mode	19	R9309	Control, motor
8	R6407	Thermostat, hot air, P5	20	R7689	Relay, 24V
	R6003	Probe, thermostat	21	R8742	Knob, large
9	R2666	Timer, 60 hz	22	R8743	Knob, small
	R3942	Timer, 50 hz	32	52948	Transformer
10	R2715	Switch, flush/drain	33	R7692	Control, meat probe
11	R8594	Switch, fan high/low	34	R5325	Wire, TC
12	R8724	Resistor assy	37	M3167	Holder, fuse
13	R8595	Switch, steam demand	38	R7717	Fuse, 2 amp, 24V
14	R9384	Potentiometer, steam demand	39	R5219	Connector, panel jack
15	R0226	Lamp, indication clear		R5315	Probe, meat
	R9567	Lamp, indication blue	40	R8740	Switch, meat probe
				R10354	Logic board
				31485	Door switch

# DIGITAL COOK & HOLD CONTROL

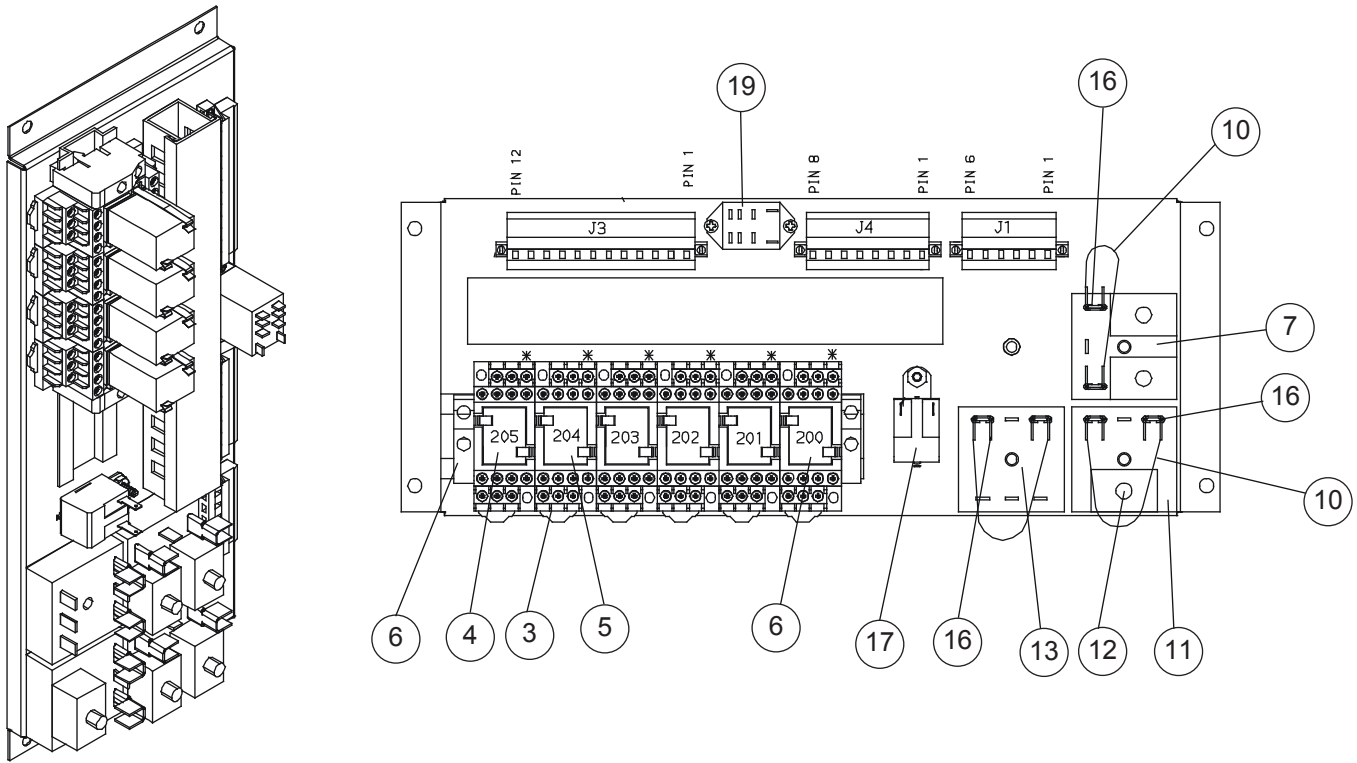


**FRONT VIEW**

<u>Ref. No.</u>	<u>Part No.</u>	<u>Description</u>
3	R9388	Decal, solid state Cook and Hold
7	R4623	Switch, mode 5 position
8	R2715	Switch, flush/drain
9	R8594	Switch, fan high/low
10	R8724	Resistor assy
11	R8595	Switch, steam demand
12	R9384	Potentiometer, steam demand
13	R0226	Lamp, indication clear
	R9567	Lamp, indication blue
17	R9309	Control, motor
18	R7689	Relay, 24V
	R10354	Logic board

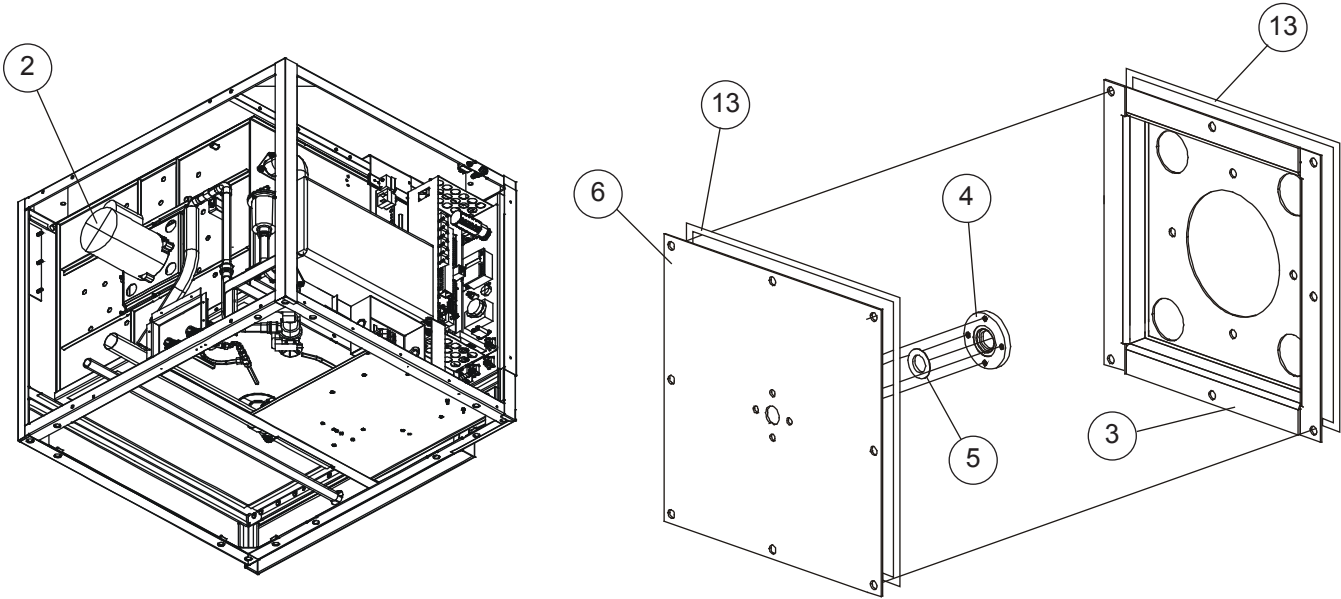
<u>Ref. No.</u>	<u>Part No.</u>	<u>Description</u>
19	R8743	Knob, small
	R9386	Resistor, motor speed 200K(n/s)
	R6928	Probe, control Cook and Hold
31	52948	Transformer
32	R7692	Control, meat probe
	R5325	Wire, TC (n/s)
34	M3167	Holder, fuse
35	R7717	Fuse, 2 amp, 24V
36	R5219	Connector, panel jack
37	R8740	Switch, meat probe
	R5315	Probe, meat

# RELAY MODULE ASSEMBLY



Ref. No.	Part No.	Description
3	33922	Socket, relay
4	33902	Relay, logic
5	33923	Clips, hold down
6	R1580	Stop, end
7	R8592	Solid state timer, 230V combi
	R8592	Potentiometer, 0.1 to 4.0 minutes
10	R8883	Resistor assy
11	R8586	Solid state timer, 230V flush
12	R8593	Potentiometer, 0.1 to 6.0 minutes
13	R8584	Solid state timer, 230V steam demand
16	15937	Piggy back
17	35886	Buzzer, 230V
19	R2792	Relay, DPST 240V

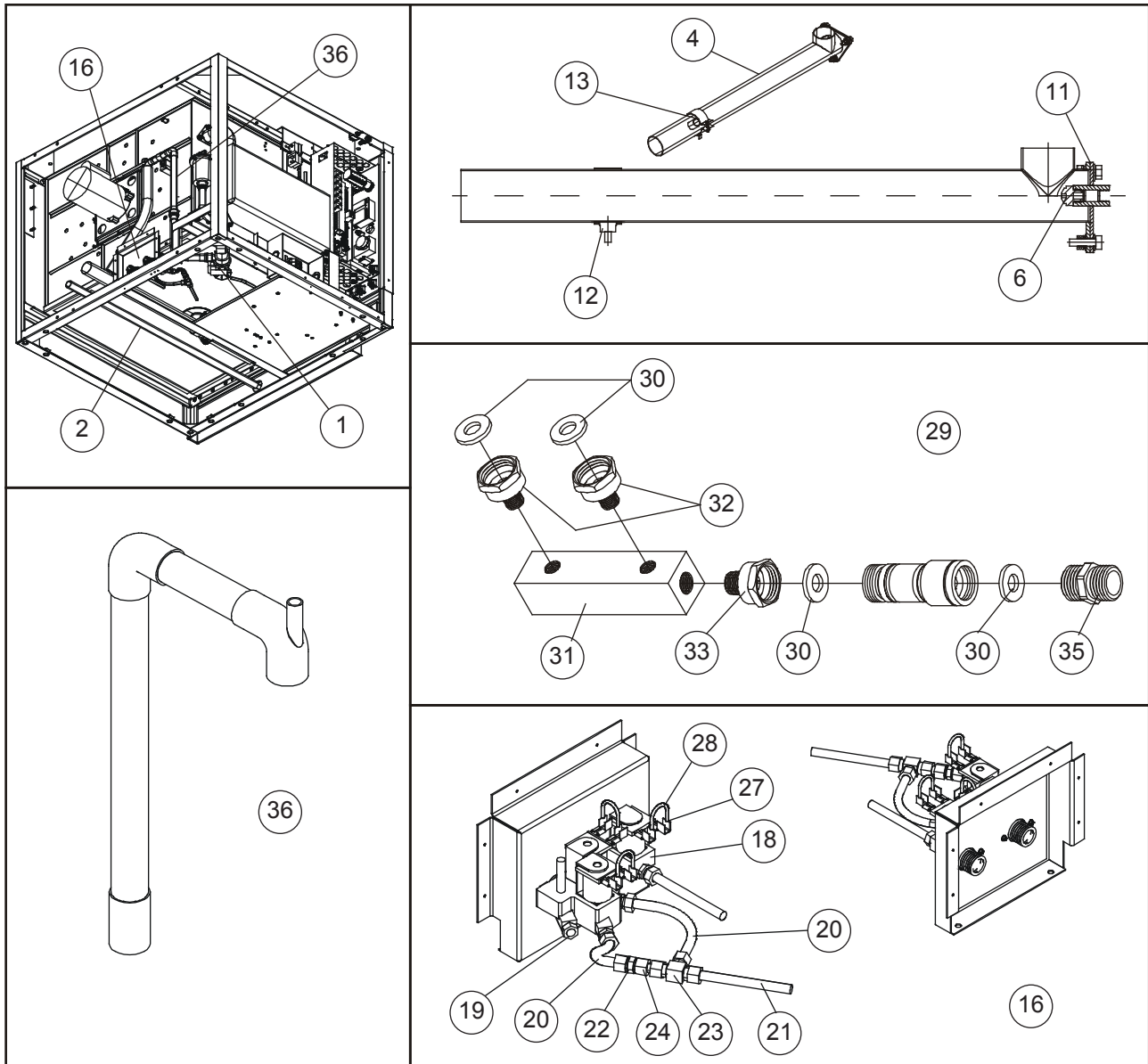
# CONVECTION MOTOR ASSEMBLY



Ref. No.	Part No.	Description
2	R5108	Motor, 115/230V 1/2 hp
3	R8154	Bracket, motor mount
4	R8955	Retainer, seal
5	R4244	Seal, motor shaft
6	R8205	Plate, insulation cover
13	56956	Motor mount gasket

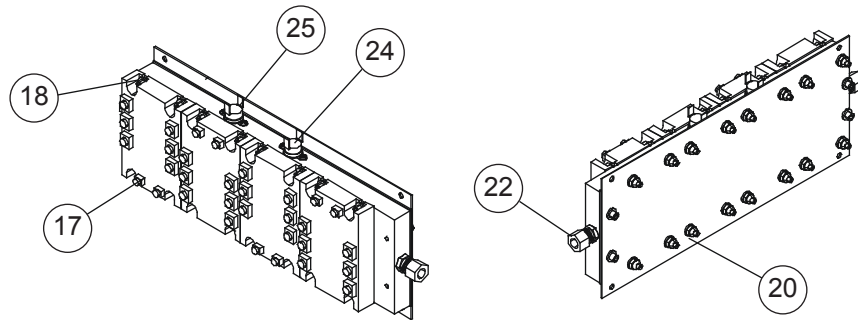


# PLUMBING COMPONENTS

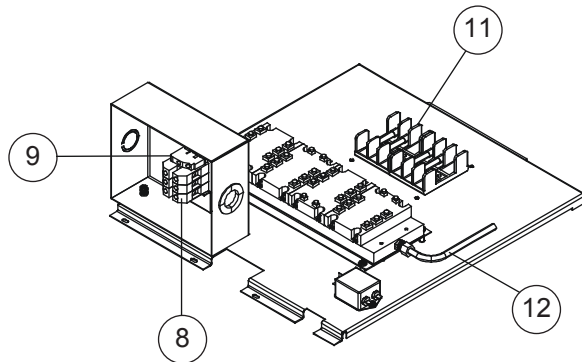


Ref. No.	Part No.	Description	Ref. No.	Part No.	Description
1	R2726	Drain pump 60 hz	21	R6330	Hose, 3/8 x 36" s/s flex
	R7563	Drain pump 50 hz	22	R8984	Fitting, compression 3/8 x 3/8 straight
	R8949	Hose, flex 1/4" x 48" (pump to drain)	23	R8985	Fitting, compression 3/8 x 3/8 x 3/8 tee
2	R8872	Tube, drain drip pan	24	R9324	Reducer, slow fill
	R0254	Clamp, band	27	15937	Piggyback
4	R8194	Drain tube	28	R7910	Suppressor assy, arc
6	R8198	Nozzle, brass spray 2.5 gpm @ 40 psi	29	R9592	Manifold assy, water inlet
11	R8420	Gasket, 3/16 x 3/16 gore tex (per foot)	30	R7750	Washer, garden hose
12	R8596	Thermostat, drain P4	31	R9591	Manifold, inlet water
13	R9339	Strap, drain thermostat	32	R9580	Fitting, 1/4 NPT to GHT brass
16	R9382	Solenoid assy	33	R9581	Fitting, 3/8 NPT to GHT brass
18	R5078	Solenoid valve	35	R7978	Fitting, 3/4 garden hose male thread
19	R6894	Solenoid valve	36	R9852	Tube, trap
20	R8952	Hose, 3/8 x 6" s/s flex		R9604	Conversion kit, hot water

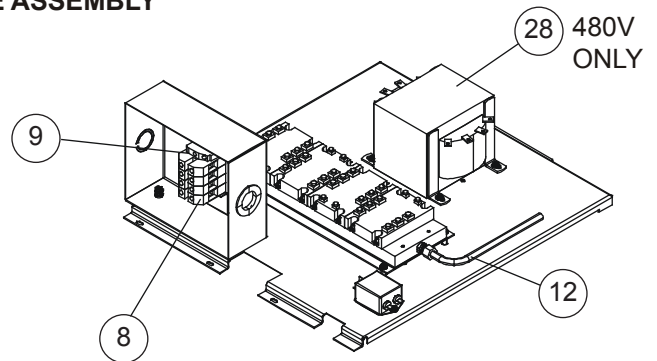
# CONTROL MODULE ASSEMBLIES



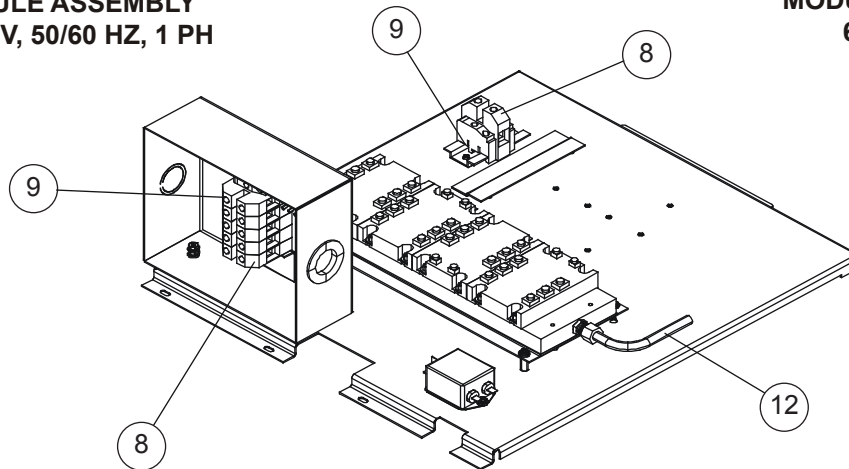
**COLD PLATE ASSEMBLY**



**MODULE ASSEMBLY  
208/240V, 50/60 HZ, 1 PH**



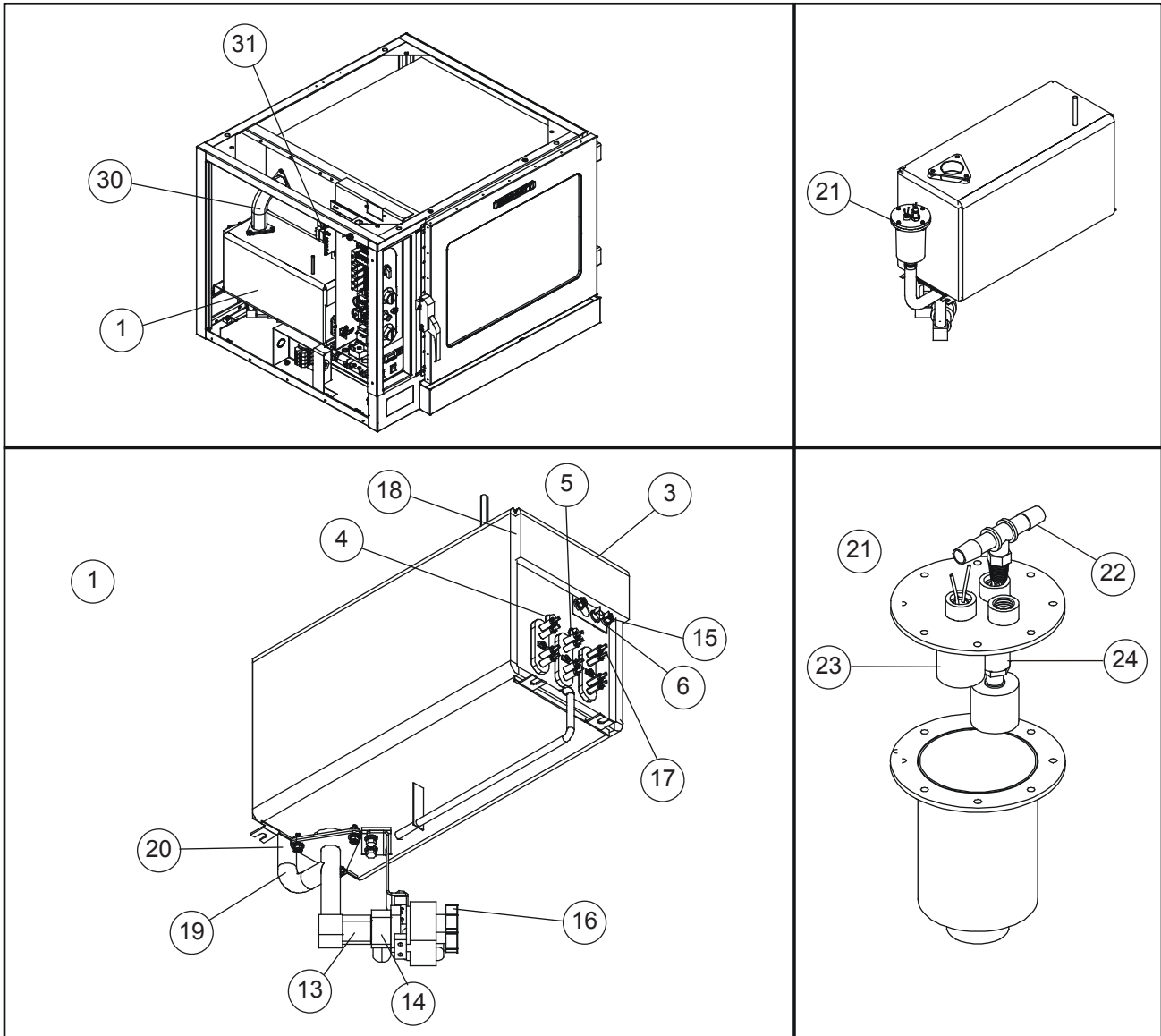
**MODULE ASSEMBLY  
60 HZ, 3 PH**



**MODULE ASSEMBLY  
380/415V WYE, 3 PH**

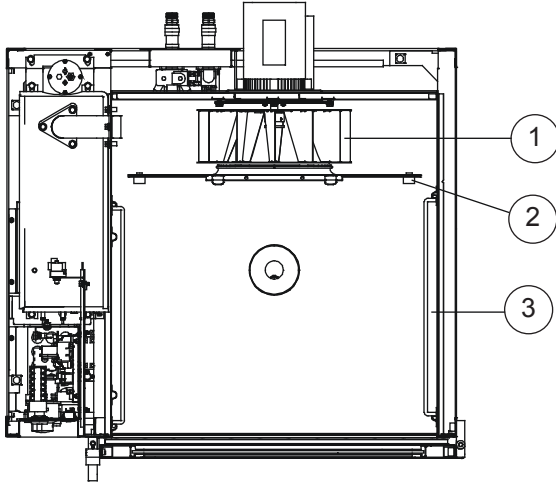
<u>Ref. No.</u>	<u>Part No.</u>	<u>Description</u>	<u>Ref. No.</u>	<u>Part No.</u>	<u>Description</u>
	R9350	Harness, steam (1 phase)	25	R8012	Thermostat, cold plate no water/failsafe P13
	R8790	Harness, steam (3 phase)	28	17754	Transformer (480V to 240V)
8	R1586	Terminal block (qty 3)		39443	208V Mechanical Contactor Conversion Kit
9	R1580	Terminal block stop		R11112	208V Mechanical Contactor
12	R8799	Hose, 3/8 x 24 flex s/s		38559	480V Mechanical Contactor Conversion Kit
	R6328	Hose, 3/8 x 18 flex s/s		R11087	480V Mechanical Contactor
17	R9932	Solid State Relay			
18	R8262	Screw, 10-32 x 1 1/2 socket head cap			
20	R8891	Nut, 10-32 hex head nylon s/s			
22	R4245	Fitting, 3/8 compression x 1/4 NPT			
24	R8015	Thermostat, cold plate water flow P12			

# STEAM GENERATOR COMPONENTS

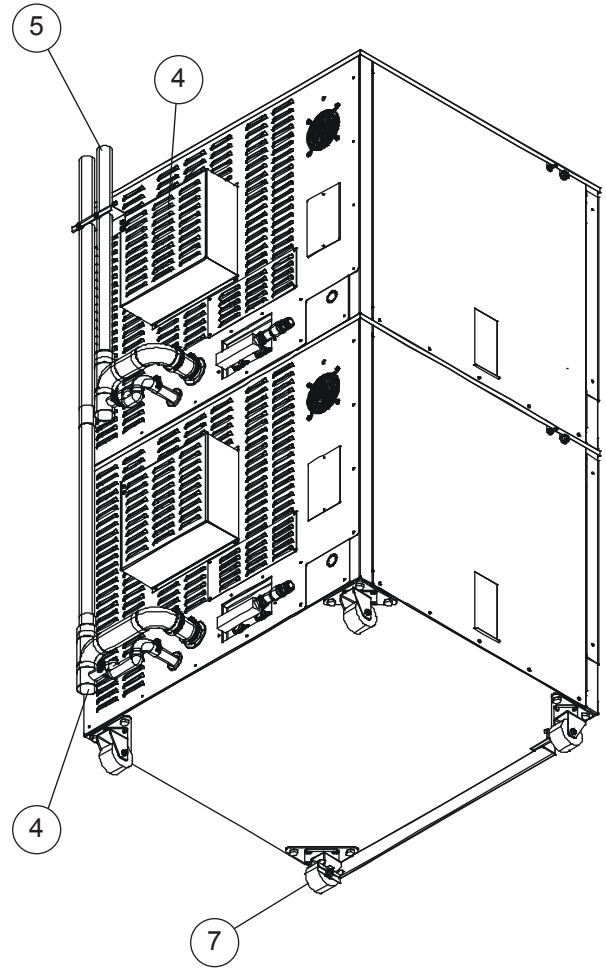
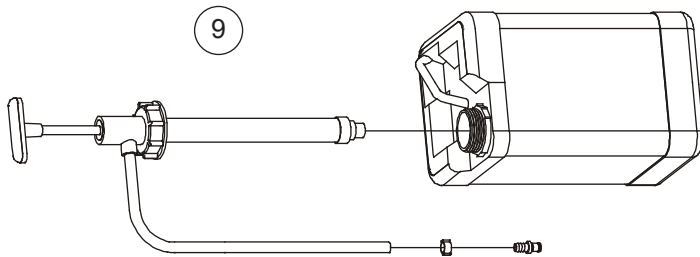


Ref. No.	Part No.	Description	Ref. No.	Part No.	Description
1	R10474	Steam generator (service kit)	19	R8074	Tube, pump connection
3	55282	Insulation		R10252	Outlet plate gasket (triangular)
4	R8071	Holder, thermostat	20	R8423	Gasket, goretex .25w x .18h (per foot)
5	R8183	Plug, 1/4 NPT brass	21	R10056	Switch assy, float
6	R9259	Bracket, sensor mounting P11			(comprised of parts listed below)
13	51999	Hose, 1.125 ID x 1.5" (1 ft. piece)	22	R10057	Coupling, half 1/8 NPT s/s
14	R0254	Clamp, hose	23	50265	Switch, float
15	R8012	Thermostat, flush/drain P11	24	R8780	Extension, float switch
16	R2726	Drain pump 208/240V		R8420	Gasket, goretex .18 x .18 (per foot)
17	R2768	Element, steam 208V	30	R10503	Tube, steam outlet assy
	R2771	Element, steam 240V		R8423	Gasket, steam outlet tube, goretex .25w x .18h (per foot)
	R7187	Element, steam 220/380 V			
	R2771	Element, steam 240/415 V	31	R2630	Thermostat, steam generator high limit F6
	R2770	Element, steam 480V		36441	Thermostat, cooking compartment high limit F3
18	T102698	Tape, foil (per foot)			

# INTERIOR COMPONENTS & ACCESSORIES



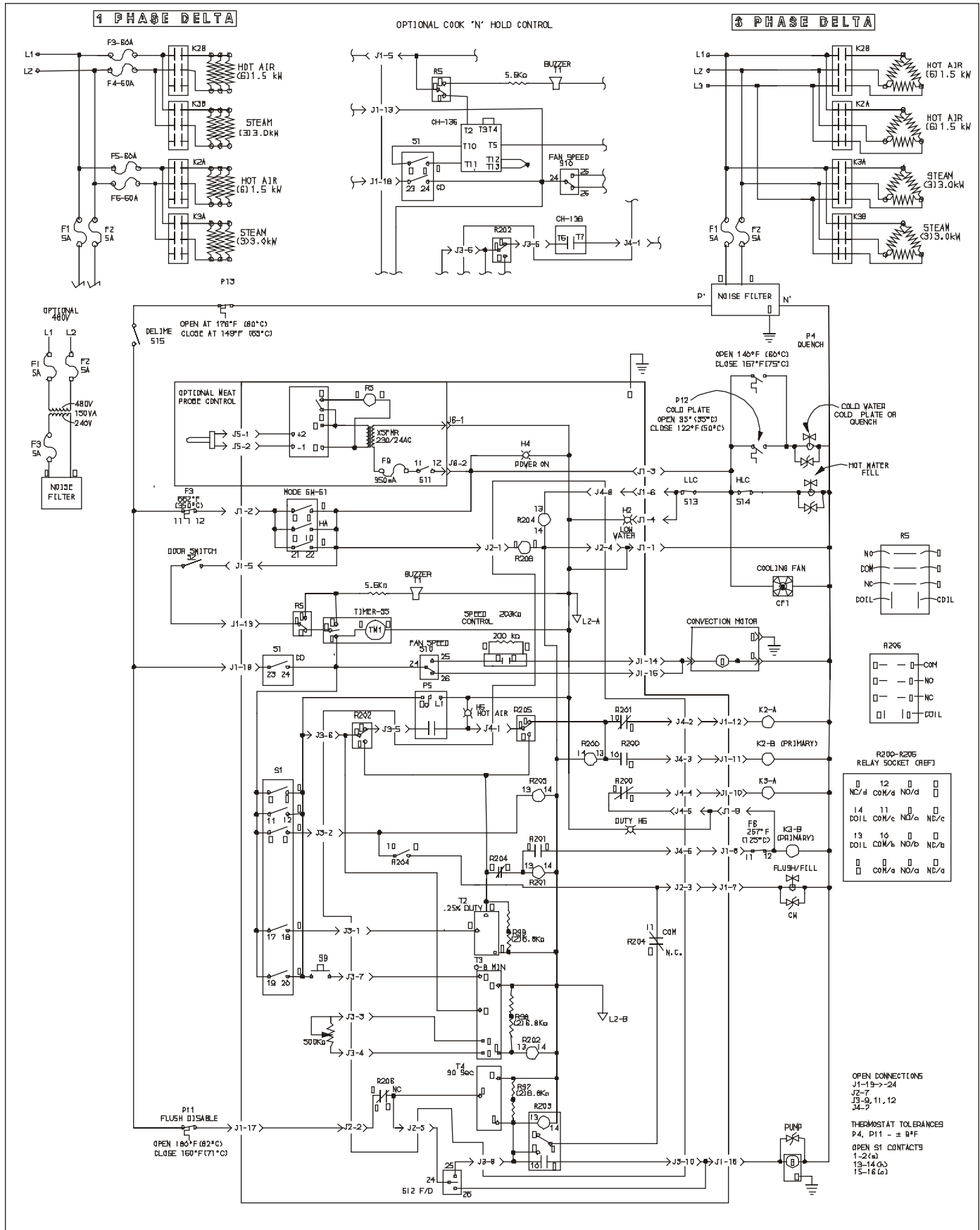
TOP VIEW



Ref. No.	Part No.	Description
1	R5081	Blower wheel
2	R9270	Baffle, air
	R3760	Filter, grease
3	R4409	Rack guides
	R3664	Racks, wire shelves s/s
	R9472	Element assy, hot air 208V 1.5kw
	R9473	Element assy, hot air 230V 1.5kw
4	R9365	Cover, motor ALCT
	R9366	Cover, motor s/s
5	R9251	Steam vent assy, single section
6	R9252	Steam vent assy, stacked unit
	23034	Cooling fan
	R8650	Element Assy., Hot Air 480V

Ref. No.	Part No.	Description
	R9308	Hose, flex drain, 10" Drip pan to main drain
	R9307	Hose, flex drain, 46" Drain pump to main drain
	R0254	Clamp, hose
7	R6308	Caster kit, set of 4
8	R0006	Pressure spray bottle
	R6332	Repair kit, pressure spray bottle
9	R8859	Delimiting bottle assy
	R10899	Hose and nozzle assy, cleaning 10 ft, single sections
	R7835	Coupling, Fernco

# WIRING SCHEMATIC - NORTH AMERICAN - R8013



# WIRING SCHEMATIC - CE - R8877

