



## **MINI COMBI OVENS REPLACEMENT PARTS LIST**

**EFFECTIVE NOVEMBER 9 2017**

Superseding All Previous Parts Lists.

The Company reserves the right to make substitution in the event that items specified are not available.

ERRORS: Descriptive and/or typographic errors are subject to correction.

---

**BLODGETT OVEN COMPANY**

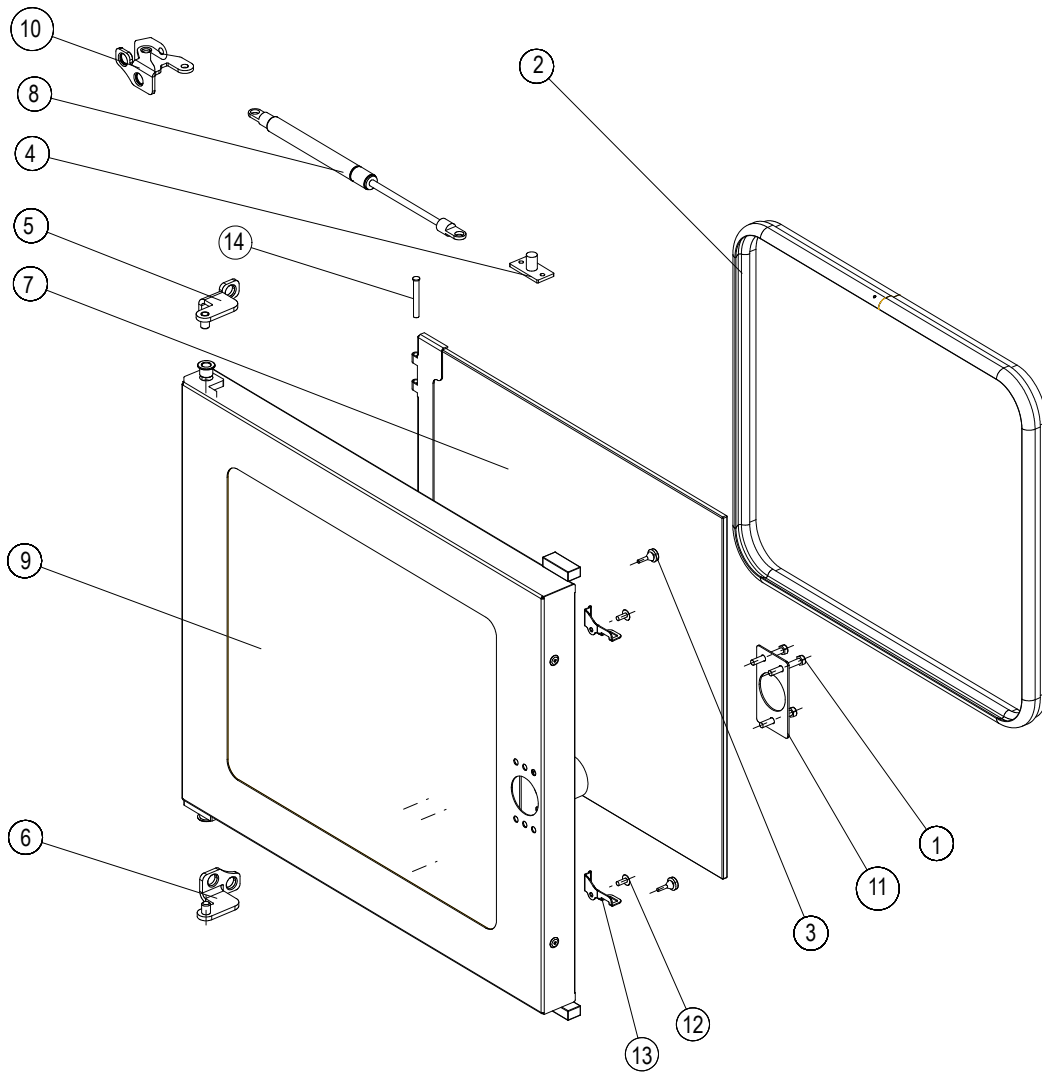
44 Lakeside Avenue, Burlington, Vermont 05401 USA Telephone: (802) 658-6600 Fax: (802) 860-3732  
[www.blodgett.com](http://www.blodgett.com)

*P/N 61508 Rev T*

# TABLE OF CONTENTS

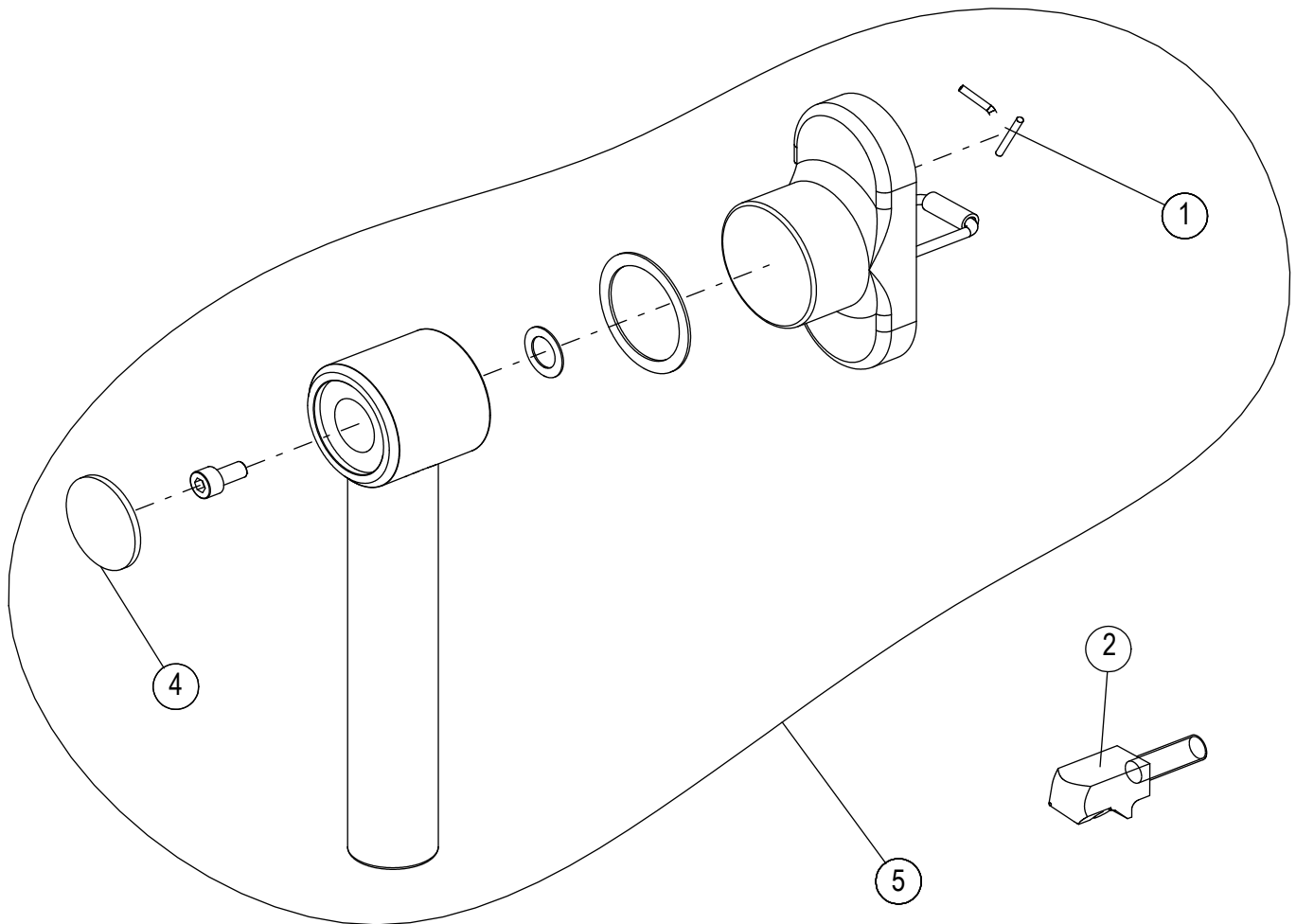
|   |    |
|---|----|
| OVEN DOOR .....                             | 3  |
| DOOR HANDLE .....                           | 4  |
| OVEN CAVITY .....                           | 5  |
| MAIN FAN MOTOR/HEATING ELEMENTS .....       | 6  |
| DAMPER.....                                 | 7  |
| OVEN LIGHT .....                            | 8  |
| TOP COVER.....                              | 9  |
| BLCM CONTROL PANEL .....                    | 10 |
| BLCP CONTROL PANEL .....                    | 11 |
| BLCT CONTROL PANEL WITH SIDE ACCESS .....   | 12 |
| BLCT CONTROL PANEL WITHOUT SIDE ACCESS..... | 14 |
| BLCT CONTROL PANEL FOR WENDY'S .....        | 15 |
| ELECTRICAL COMPONENTS (LEFT) .....          | 16 |
| ELECTRICAL COMPONENTS (RIGHT).....          | 17 |
| DRAIN .....                                 | 18 |
| CLEANING SYSTEM .....                       | 19 |
| EXTRACTION HOOD .....                       | 21 |
| AIR INTAKE FILTER.....                      | 22 |

# OVEN DOOR



| Ref. No. | Part No. | Description                         | Ref. No. | Part No. | Description                  |
|----------|----------|-------------------------------------|----------|----------|------------------------------|
| 1        | 61932    | Screw Set M5 x 35 A2                | 9        | 61778    | Oven Door CSII 2/3 & 6 pan   |
| 2        | 60959    | Door gasket 2/3 & 6 pan             | 9        | 62391    | Oven Door CSII 10 pan        |
|          | 62479    | Door Gasket - Wendy's               | 10       | 61555    | Hinge marine top left CSI    |
| 2        | 60960    | Door gasket 10 pan                  | 10       | 61556    | Hinge marine top right CSI   |
| 3        | 61561    | Rubber stopper interior glass Ø12mm | 10       | 62520    | Hinge marine top left CSII   |
| 4        | 61558    | Gas spring holder                   | 10       | 62521    | Hinge marine top right CSII  |
| 5        | 61125    | Hinge upper left CSI (lower right)  | 11       | 62250    | Reinforcement to handle CSII |
| 5        | 61770    | Hinge upper left CSII (lower right) | 12       | 62441    | Pin for interior glass CS    |
| 6        | 61126    | Hinge lower left CSI (upper right)  | 13       | 62393    | Interior glass holder        |
| 6        | 61771    | Hinge lower left CSII (upper right) | 14       | 62392    | Pop rivet Ø4x10              |
| 7        | 61559    | Interior glass 2/3 & 6 pan          |          | 61553    | Cap, door handle             |
| 7        | 61560    | Interior glass 10 pan               |          | 61925    | Door handle kit w/cap        |
| 8        | 61557    | Gas spring 50n                      |          | 62247    | Hinge, upper left            |
| 9        | 61540    | Oven Door CSI 2/3 & 6 pan           |          | 62248    | Hinge, lower left            |
| 9        | 61343    | Oven Door CSI 10 pan                |          | 62249    | Interior glass 23 & 6        |

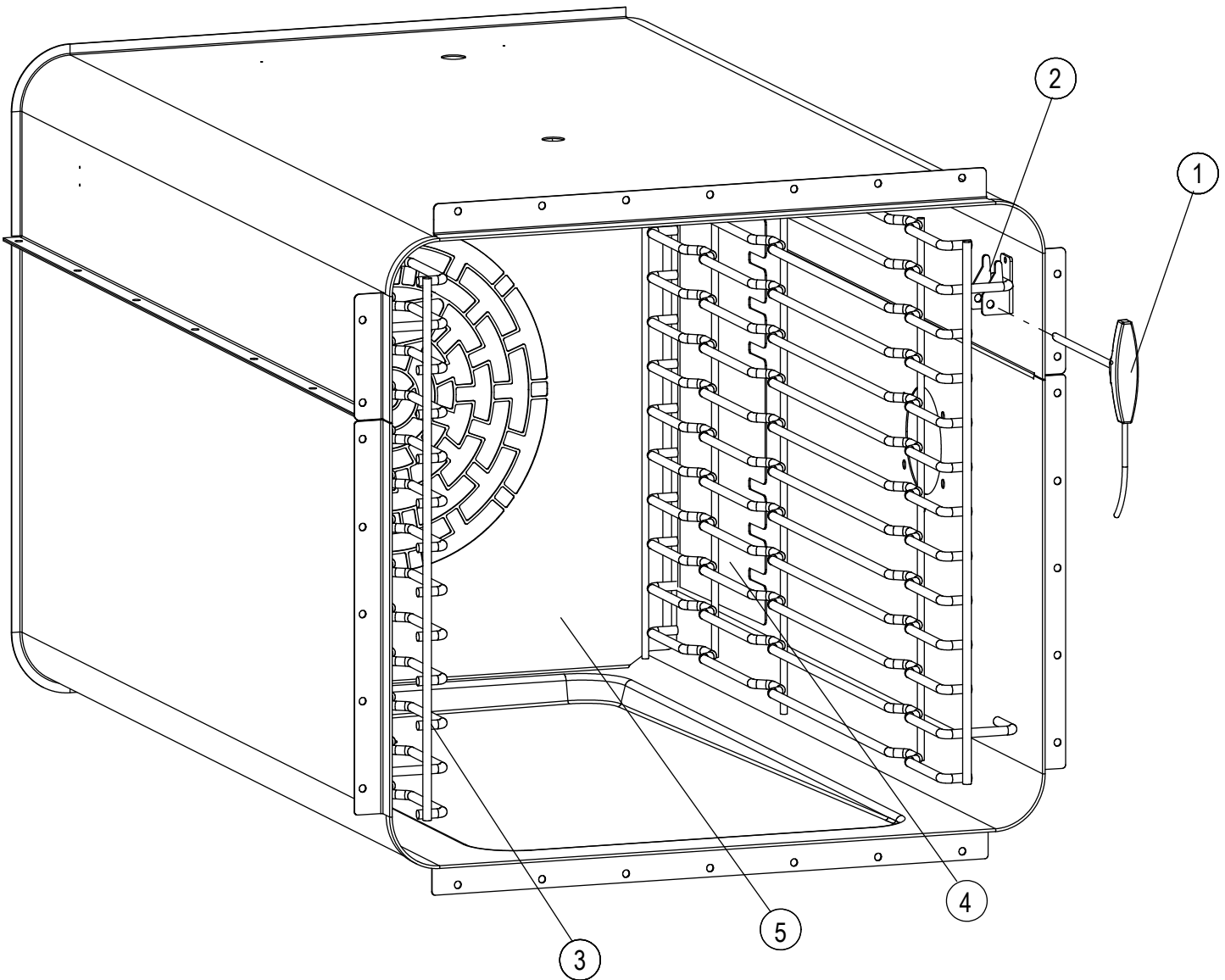
# DOOR HANDLE



| Ref. No. | Part No. | Description                     |
|----------|----------|---------------------------------|
| 1        | 61939    | Return spring for handle.       |
| 2        | 60958    | Catch, 2-steps                  |
| 4        | 61553    | Cap, Door handle                |
| 5        | 61925    | Handle cpl., kit                |
|          | 60113    | Hose, nipple elbow, Ø 10 x 1/4" |
|          | 61562    | Hose, elbow, Ø 10 x 1/4"        |

| Ref. No. | Part No. | Description                      |
|----------|----------|----------------------------------|
|          | 61563    | T-piece 1/4"                     |
|          | 60111    | T-piece, Ø 6mm                   |
|          | 60112    | Quick action coupling Ø 6 x 1/8" |
|          | 61285    | Hose, nipple elbow, Ø 10 x 1/18" |
|          | 61564    | Suspension bracket w/nozzle      |

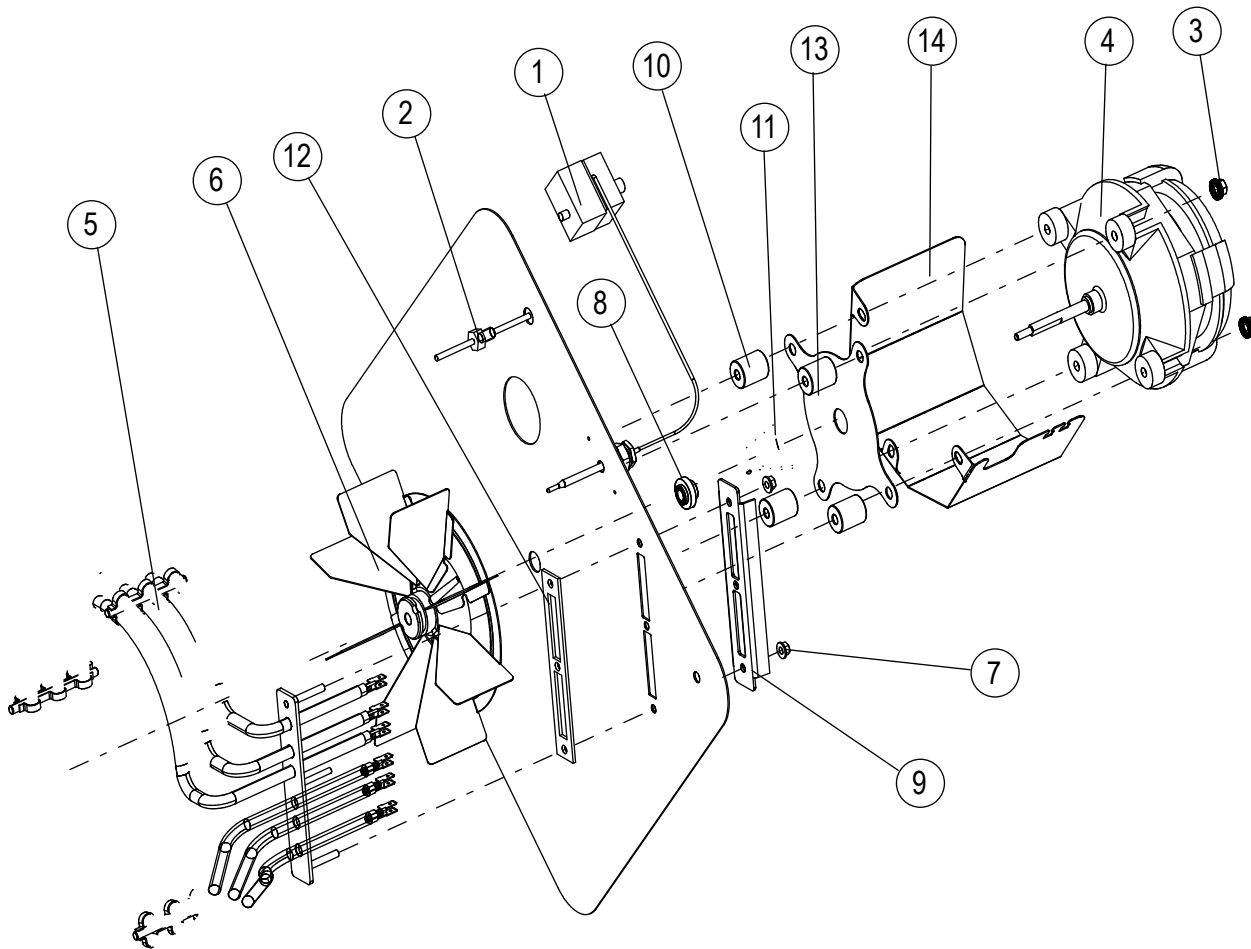
# OVEN CAVITY



| Ref. No. | Part No. | Description                     |
|----------|----------|---------------------------------|
| 1        | 61582    | Core probe L=2000 mm CS         |
| 2        | 62281    | Bracket for rack CS             |
| 3        | 61588    | Rack kit CS 2/3 pan             |
| 3        | 61410    | Rack kit CS 6 pan               |
| 3        | 61589    | Rack kit CS 10 pan              |
| 4        | 61585    | Air guide plate CS 6 pan        |
| 4        | 61586    | Air guide plate CS 10 pan right |

| Ref. No. | Part No. | Description                    |
|----------|----------|--------------------------------|
| 4        | 61587    | Air guide plate CS 10 pan left |
| 5        | 61583    | Interior baffle 2/3 & 6 pan    |
| 5        | 61584    | Interior baffle 10 pan         |
| 6        | 61232    | Side Rack LHG (BK,McD,Wen)     |
| 7        | 61233    | Side Rack RHG (BK,McD,Wen)     |
|          | 61926    | Fan motor kit, w/seal          |

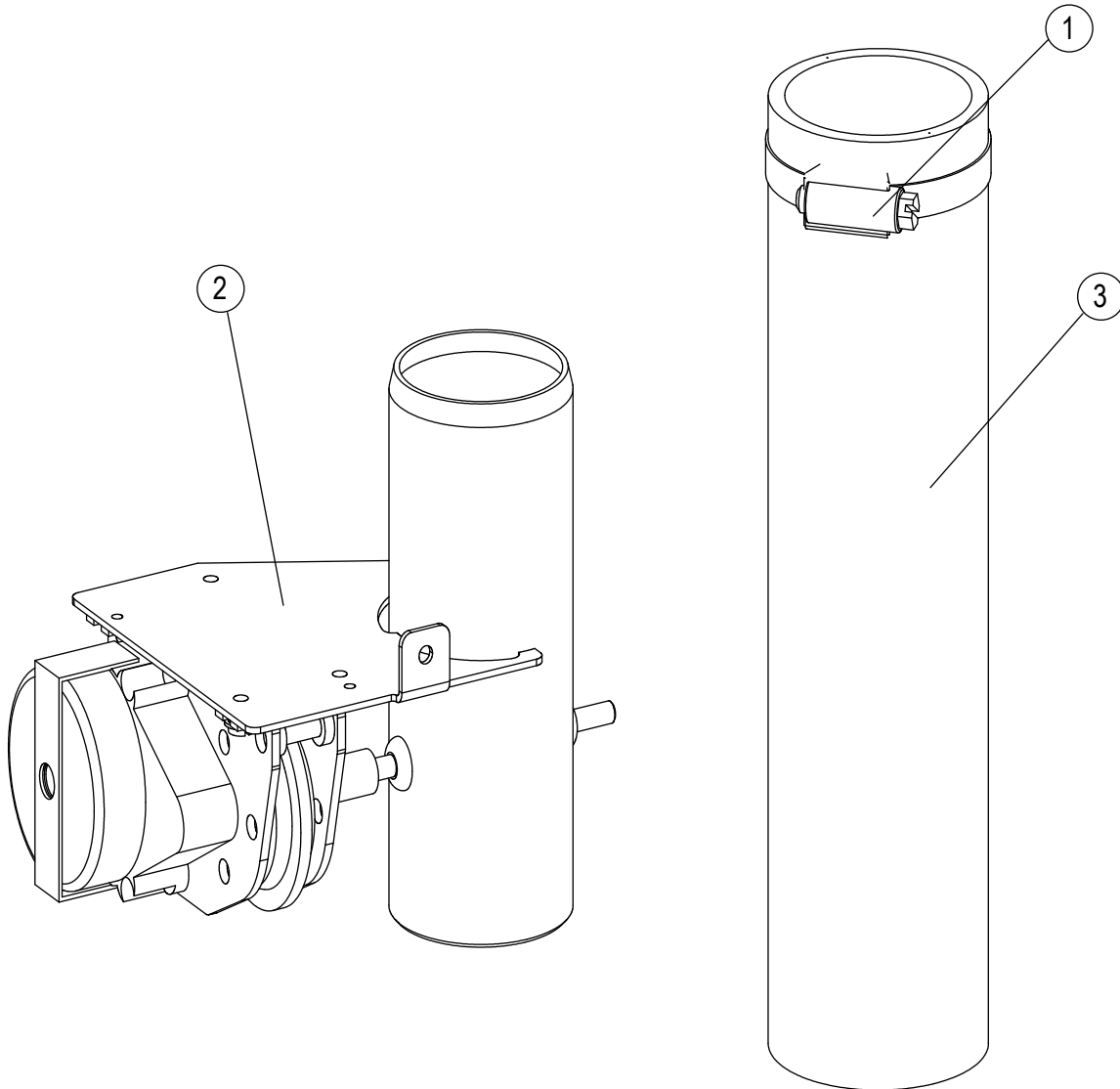
# MAIN FAN MOTOR/HEATING ELEMENTS



| Ref. No. | Part No. | Description   |
|----------|----------|---|
| 1        | 61295    | Thermoswitch 350°C  |
| 2        | 60323    | Temperature sensor air 350°C  |
| 3        | 61323    | Nut M6 w/flange, serrated   |
| 4        | 62269    | Fan Motor CS II 3X230V  |
| 5        | 61577    | Heating element w/gasket 5400-7200W 208/230/240V cpl., CS1, 2/3             |
| 5        | 61578    | Heating element w/gasket 5400-5800W 400/415V cpl., CS1, 2/3                 |
| 5        | 61579    | Heating element w/gasket 5400-6500W 440/480V cpl., CS1, 2/3                 |
| 5        | 61580    | Heating element w/gasket 6900-9200W 208/230/240V cpl., CS1, 6 pan           |
| 5        | 62396    | Heating element CSII w/gasket 6900-9200 W 208/230/240V, CS2, 6 pan          |
| 5        | 61499    | Heating element w/gasket 10400-13850W 208/230/240V cpl., CS1 & CSII, 10 pan |

| Ref. No. | Part No. | Description  |
|----------|----------|--|
| 5        | 61581    | Heating element w/gasket 10400-12400W 256/277V cpl, CS1 & CSII, 10 pan |
| 6        | 61824    | Fan wheel CS V3  |
| 7        | 60563    | Nut M5 A2 w/flange, serrated   |
| 8        | 61573    | Gasket kit for Motor   |
| 9        | 62271    | Bracket for Heater CSII.1  |
| 10       | 62270    | Spacer for Motor bracket CSII.1  |
| 11       | 61573    | Gasket kit for Motor   |
| 12       | 61576    | Gasket for heating element, CS1, 23 & 6                                |
| 12       | 61575    | Gasket for heating element, CS2, 23, 6 & 10                            |
| 13       | 61754    | Plate for motor CS   |
| 14       | 62275    | Motor Cover CS   |
|          | 61972    | Kit, shaft seal & spring CS motor                                      |
|          | 61746    | Element, CSII BLC6E, 3 phase   |

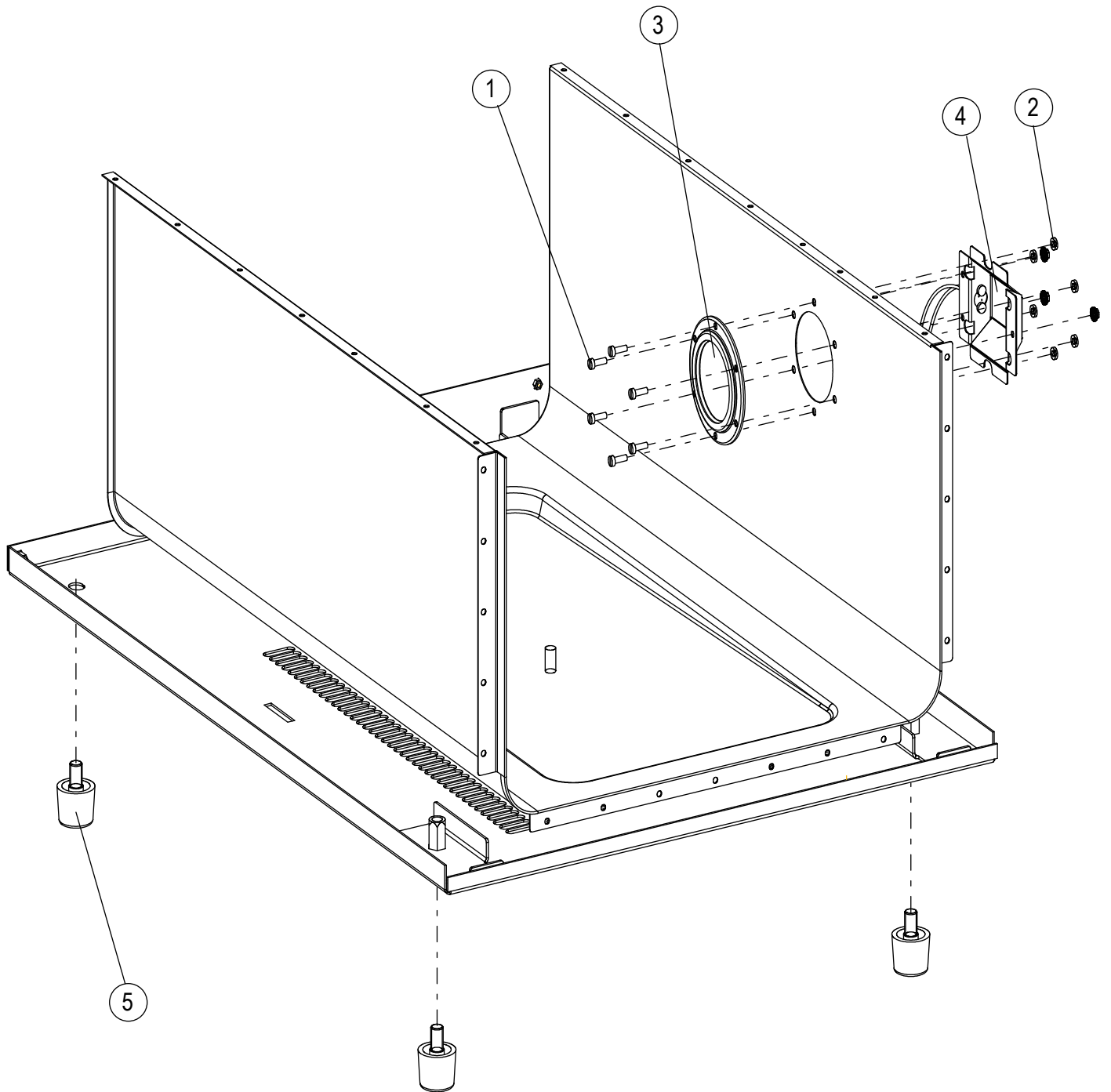
# DAMPER



| Ref. No. | Part No. | Description                                      |
|----------|----------|--|
| 1        | 60910    | Hose clamp Ø46-Ø64                               |
| 2        | 61309    | Exhaust w. damper motor                          |
| 3        | 62487    | Hose for damper valve (blue) 220MM / 9", 2/3 & 6 |
| 3        | 62278    | Hose for damper valve (blue) 320MM / 13", 10     |
| 3        | 61565    | Hose for damper valve (Blue hose sold by inch)   |

| Ref. No. | Part No. | Description                              |
|----------|----------|--|
|          | 61335    | Nozzle, arm complete                     |
|          | 61728    | Pipe, water delivery 2/3 & 6             |
|          | 61729    | Pipe, water delivery 10                  |
|          | 61283    | Bulb, halogen 12V 10W G4                 |
|          | 61234    | Interior baffle, 6                       |
|          | 61232    | Side rack, LH (Burger King, Wendys, MCD) |

# OVEN LIGHT

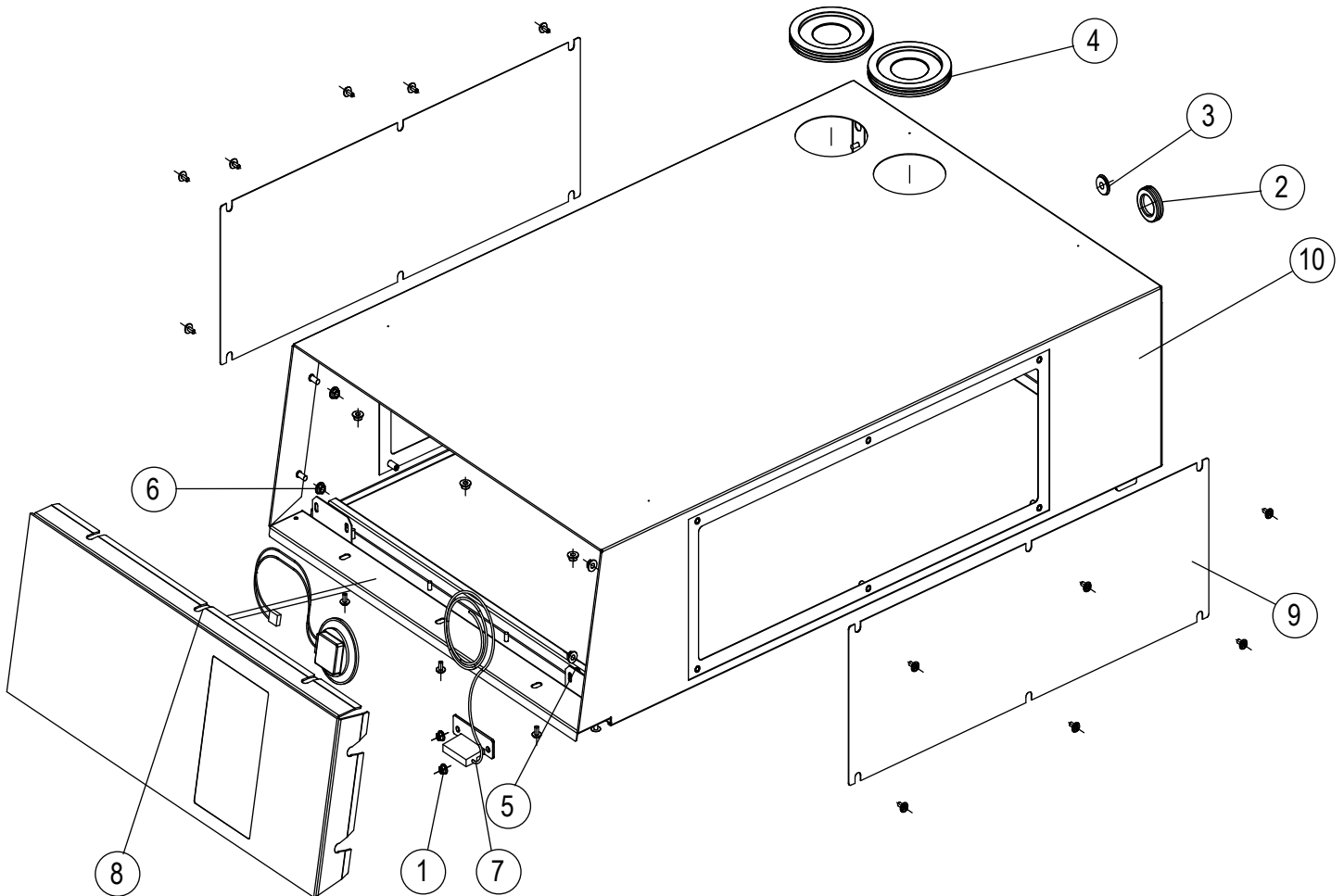


| Ref. No. | Part No. | Description                        |
|----------|----------|------------------------------------|
| 1        | 60041    | Screw M4 x 12                      |
| 2        | 62288    | Nut, Hex Flange, M4 A2             |
| 3        | 60164    | Lamp Glass, Halogen, with gasket   |
| 4        | 62397    | Lamp housing                       |
| 5        | 61452    | Rubber feet CS                     |
|          | 61874    | Leg set, 4" adjustable (not shown) |
|          | 60332    | Terminal 1/5Q 2 pole grey          |

| Ref. No. | Part No. | Description                      |
|----------|----------|----------------------------------|
|          | 60331    | Terminal 1/5Q 4 pole grey        |
|          | 60128    | Contactora, A26-40-00, 24V 50/60 |
|          | 60819    | Cooling fan (round)              |
|          | 60262    | End stop, din                    |
|          | 60911    | 480V transformer                 |
|          | 61283    | Bulb halogen 12V 10W G4          |



# TOP COVER

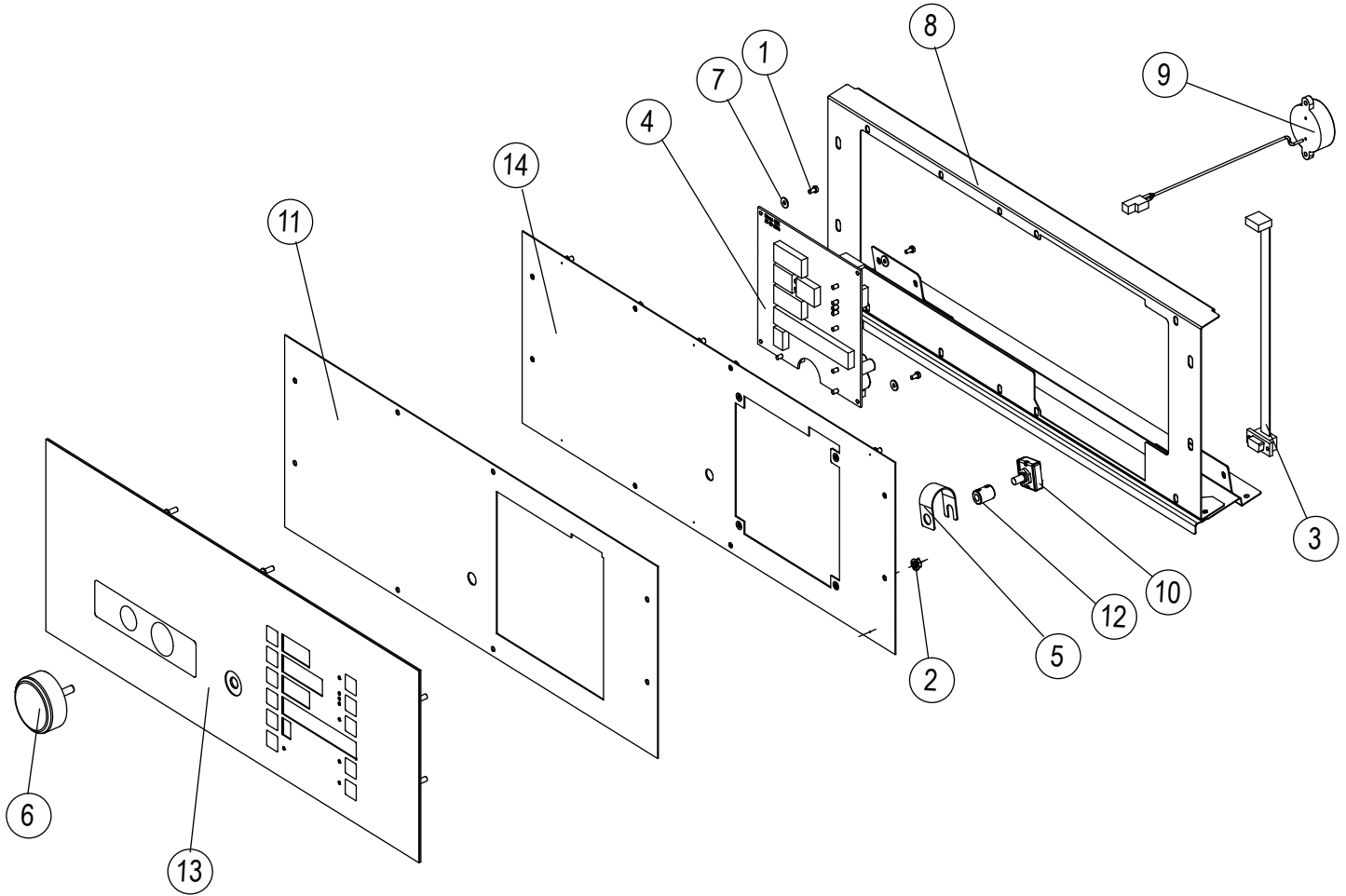


| Ref. No. | Part No. | Description                       |
|----------|----------|-----------------------------------|
| 1        | 62288    | Nut flange w Toothing M4          |
| 2        | 62289    | Membrane grommet Ø28              |
| 3        | 60896    | Rubber plug, Ø20 x Ø14.9, black   |
| 4        | 61592    | Gasket for exhaust CS             |
| 5        | 60040    | Screw M4 x 8                      |
| 6        | 60563    | Nut M5 A2 w/flange, serrated      |
| 7        | 60575    | Sensor for door                   |
| 8        |          | See following control panel pages |
| 9        | 61967    | Inspection panel CSII 6 & 10 pan  |
| 10       | 61594    | Top Cover CSI 2/3 pan             |
| 10       | 61595    | Top cover CSI 6 & 10 pan          |
| 10       | 62398    | Top Cover CSII 2/3 pan            |

| Ref. No. | Part No. | Description                            |
|----------|----------|--|
| 10       | 62399    | Top Cover CSII 6 & 10 pan              |
| 10       | 61966    | Top Cover w inspection CSII 6 & 10 pan |
|          | 61612    | Fuses, F1/F3/F7 3.15A (2)              |
|          | 61614    | Fuses, F4 5A (2)                       |
|          | 61615    | Fuses, F5/F6 8A (2)                    |
|          | 60317    | Fuse carrier                           |
|          | 60320    | Terminal block for conductor (fused)   |
|          | 62329    | Board I/O                              |
|          | 62329    | Board I/O (short)                      |
|          | 60279    | Ground terminal block                  |
|          | 60278    | Neutral terminal block                 |

# BLCM CONTROL PANEL

## “MANUAL CONTROL OPTION”

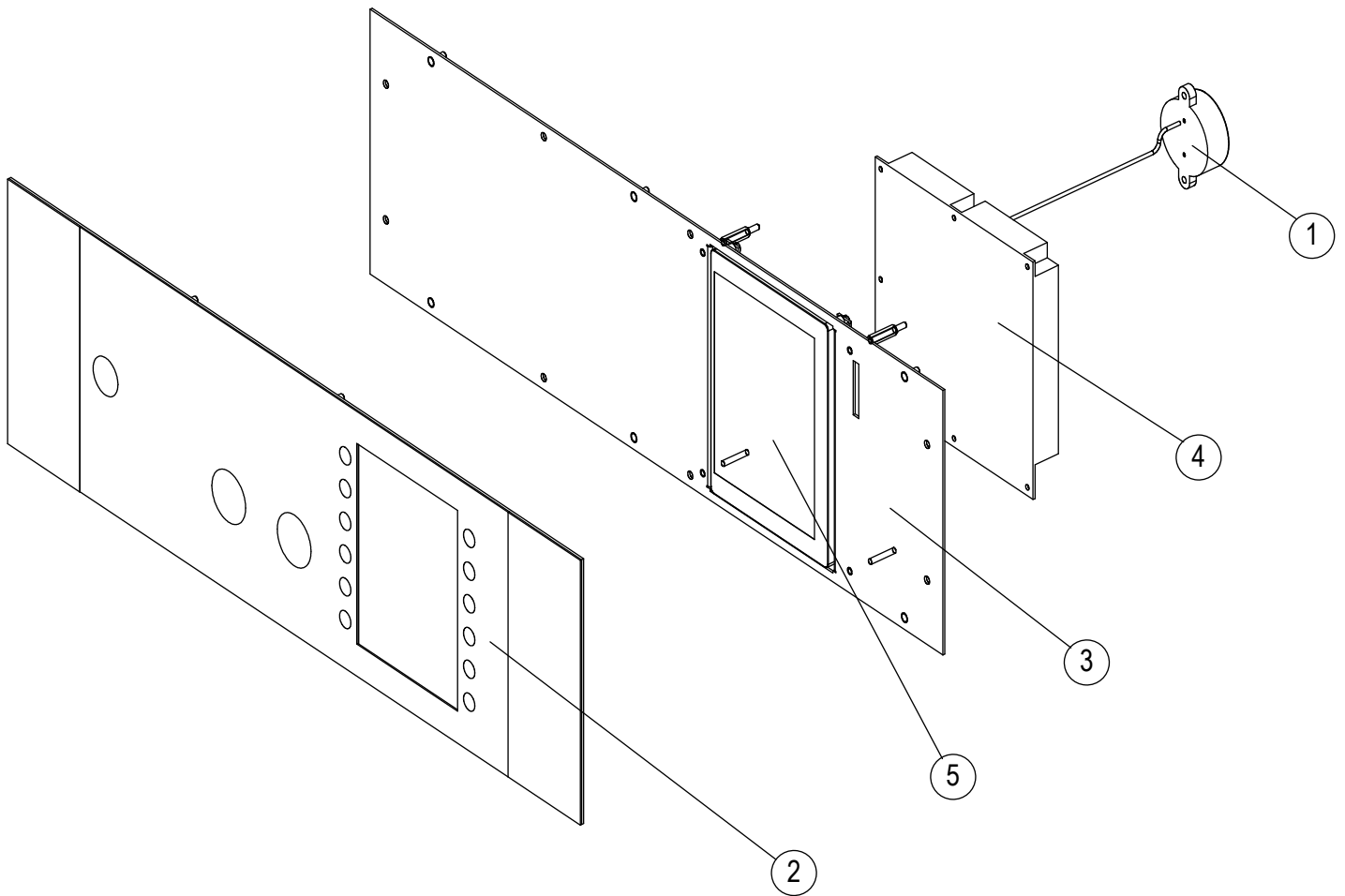


| Ref. No. | Part No. | Description                          |
|----------|----------|--------------------------------------|
| 1        | 60037    | Screw CH M3 x 6                      |
| 2        | 62288    | Nut flange w Tothing M4              |
| 3        | 61725    | Ribbon cable DB9 plug BCK controller |
| 4        | 61029    | Computer BCM CombiSlim               |
| 5        | 60342    | Plastic brace for turn button        |
| 6        | 60344    | Turn button                          |
| 7        | 60086    | Washer 3mm                           |
| 8        | 62448    | Abutment plate frame CS II           |
| 9        | 60582    | Buzzer                               |
| 10       | 60341    | Encoder                              |

| Ref. No. | Part No. | Description                       |
|----------|----------|-----------------------------------|
| 11       | 61727    | Seal for Control Panel CS B/C/K   |
| 12       | 60338    | Shaft, coupling Ø6/Ø6             |
| 13       | 62443    | Abutment plate panel C model      |
| 13       | 60956    | Abutment plate panel CSII C model |
| 14       | 62444    | Rear plate f keypad CSII BCK      |
|          | 60956    | Plate abutment BCM (red)          |
|          | 61954    | Plate abutment BCM CSII (black)   |
|          | 61593    | CS control gasket                 |
|          | 60341    | Encoder                           |

# BLCP CONTROL PANEL

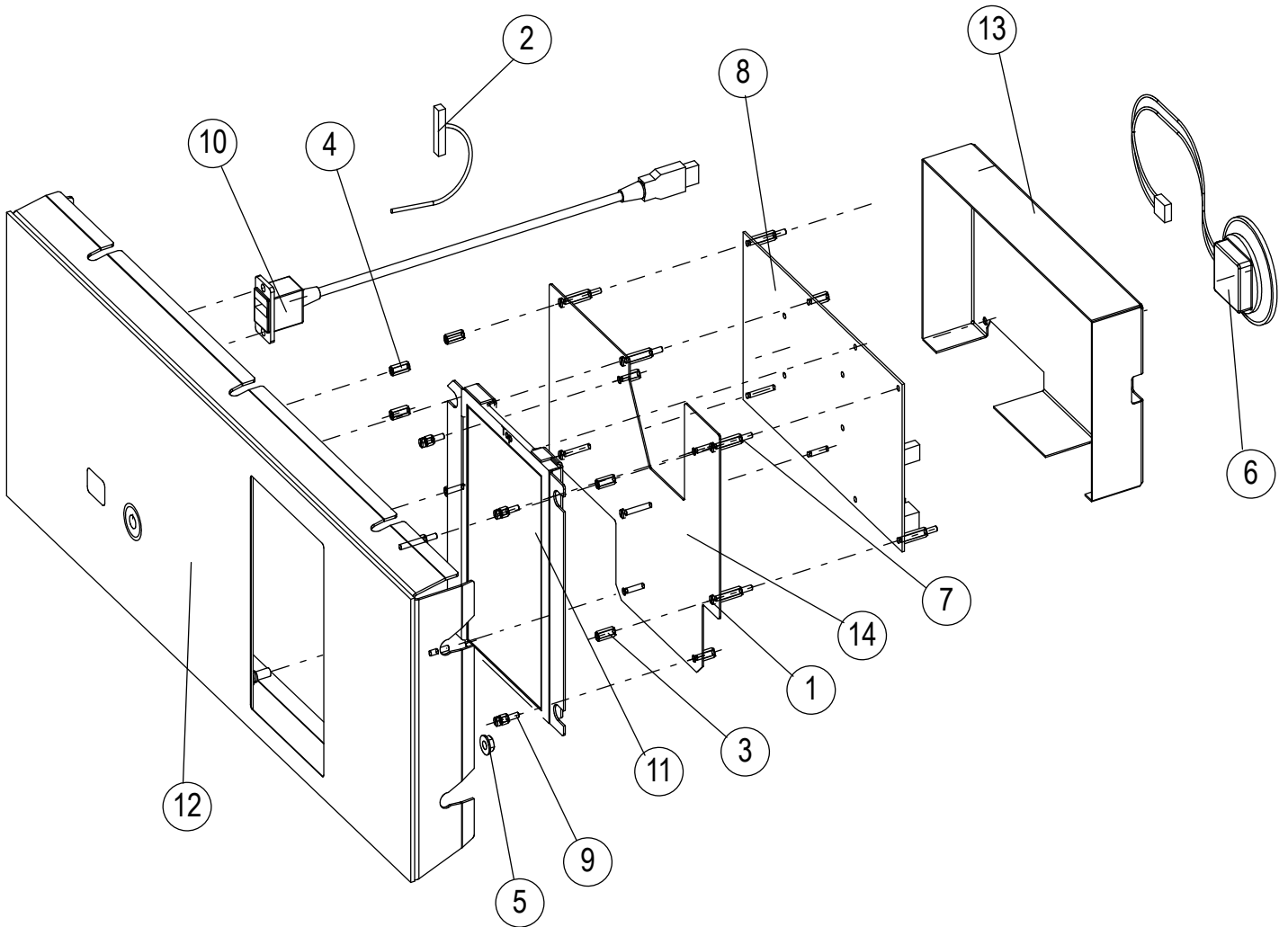
## “PROGRAMMABLE CONTROL OPTION”



| <b>Ref. No.</b> | <b>Part No.</b> | <b>Description</b>                             |
|-----------------|-----------------|--|
| 1               | 60582           | Buzzer   |
| 2               | 60955           | Abutment plate w/operation panel Blodgett, BCP |
| 3               | 62446           | Display. back plate, CSI CPE                   |
| 4               | 61028           | CPU, BCP                                       |
| 5               | 61464           | Display, 5.7" TFT                              |

# BLCT CONTROL PANEL WITH SIDE ACCESS

“TOUCHSCREEN CONTROL OPTION”



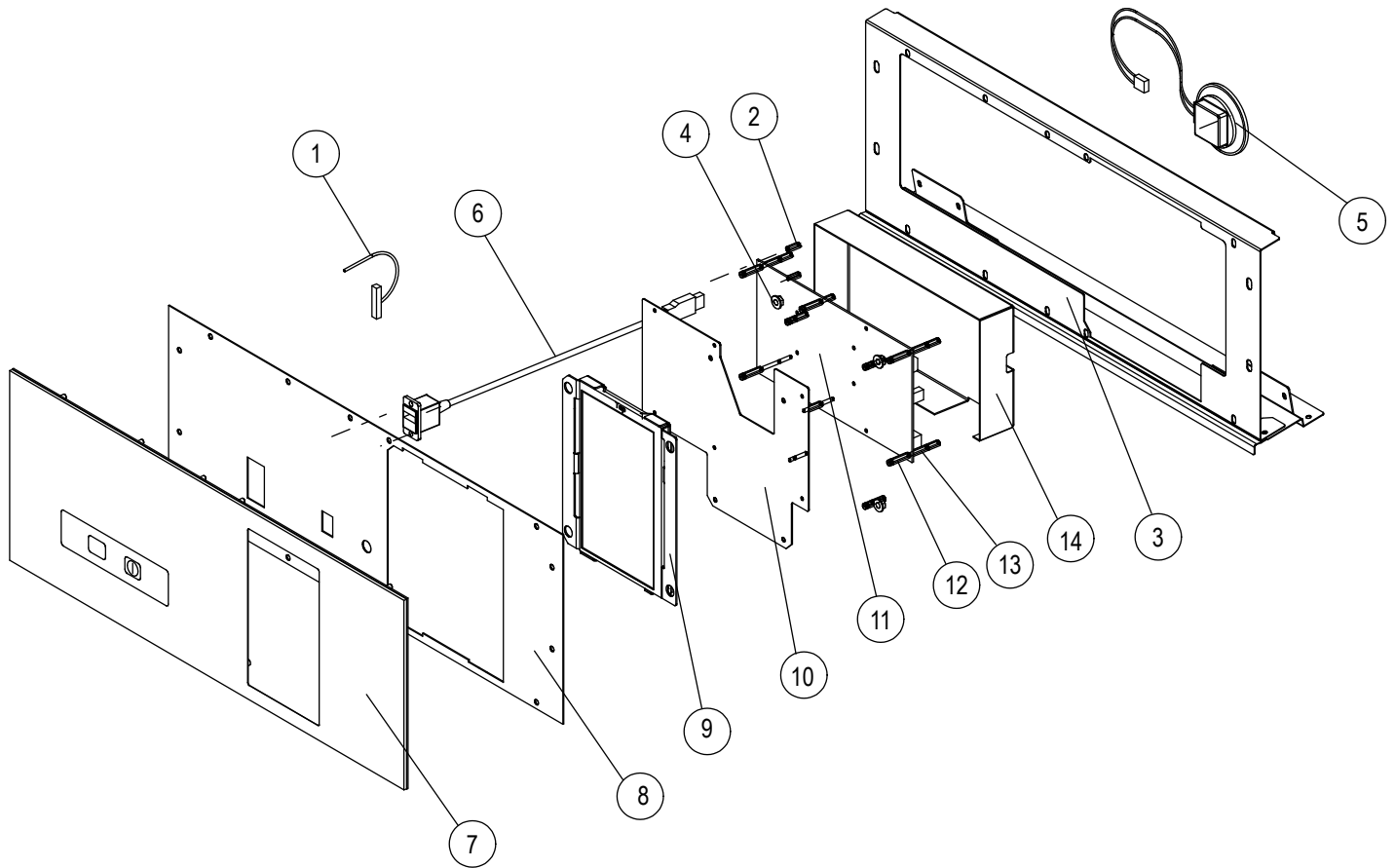
# BLCT CONTROL PANEL WITH SIDE ACCESS

## “TOUCHSCREEN CONTROL OPTION”

| <b>Ref. No.</b> | <b>Part No.</b> | <b>Description</b>  | <b>Ref. No.</b> | <b>Part No.</b> | <b>Description</b>  |
|-----------------|-----------------|---|-----------------|-----------------|---|
| 1               | 60037           | Screw CH M3 x 6   |                 | 61591           | Communication cable   |
| 2               | 61827           | Cable for 7" TFT touch display                                  |                 | 61861           | BCT CSII Complete Control Top                                       |
| 3               | 60071           | Distance tube M3 x 12   |                 | 61862           | BCT CSII Complete Control Top (Wendy's US)                          |
| 4               | 62251           | Distance tube M2.5 x 12   |                 | 61863           | BCT CSII Complete Control Top (BK)                                  |
| 5               | 60563           | Nut M5 A2 w/flange, serrated                                    |                 | 61865           | BCT CSII Complete Control Top (Wendy's CA)                          |
| 6               | 61804           | Loud Speakers - 4 ohm   |                 | 61887           | BCT CSII Complete Control Top (Wendy's US) chicken (no side access) |
| 7               | 60591           | Staybolt brass M3x18 with threaded pin                          |                 | 61776           | Front panel & overlay BLCT CSII (pre side access)                   |
| 8               | 61838           | CPU – Touchscreen Control (General Market)                      |                 | 61724           | Gasket, operational panel   |
| 8               | 61449           | CPU – Touchscreen Control (Burger King)                         |                 | 61911           | Display 6.5 w/bracket   |
| 8               | 62237           | CPU – Touchscreen Control (Burger King w/ Hoodini)              |                 |                 |   |
| 8               | 61533           | CPU – Touchscreen Control (Wendy's)                             |                 |                 |   |
| 8               | 61859           | CPU – Touchscreen Control (Wendy's CA)                          |                 |                 |   |
| 8               | 61820           | CPU - Touchscreen Control (Smithfield)                          |                 |                 |   |
| 8               | 61886           | CPU – Touchscreen Control (Wendy's CHKN US)                     |                 |                 |   |
| 8               | 61927           | CPU – Touchscreen Control (McDonald's 6)                        |                 |                 |   |
| 8               | 61928           | CPU – Touchscreen Control (McDonald's 6 w/ Hoodini)             |                 |                 |   |
| 8               | 62501           | CPU - Touchscreen Control (Wendy's REOL after 08/10/17)         |                 |                 |   |
| 8               | 62502           | CPU – Touchscreen Control (Wendy's CHKN US REOL after 08/10/17) |                 |                 |   |
| 8               | 62503           | CPU - Touchscreen Control (Wendy's CA REOL after 08/10/17)      |                 |                 |   |
| 9               | 62253           | Staybolt brass M3x5 m threaded pin                              |                 |                 |   |
| 10              | 61723           | USB connector chassis mounted                                   |                 |                 |   |
| 11              | 61911           | Kit Touch display/ bracket Blodgett                             |                 |                 |   |
| 12              | 61965           | Keypad frame CPL. CSII Blodgett BCT.                            |                 |                 |   |
| 13              | 62255           | TS control cover  |                 |                 |   |
| 14              | 62491           | Bracket for computer CS II Touch                                |                 |                 |   |
| 15              | 62492           | Keypad frame Touch + Display CSII Blodgett BCT                  |                 |                 |   |
|                 | 61593           | Gasket, front panel (BCP)                                       |                 |                 |   |
|                 | 60343           | USB cable assembly  |                 |                 |   |
|                 | 61590           | Ribbon cable for display  |                 |                 |   |

# BLCT CONTROL PANEL WITHOUT SIDE ACCESS

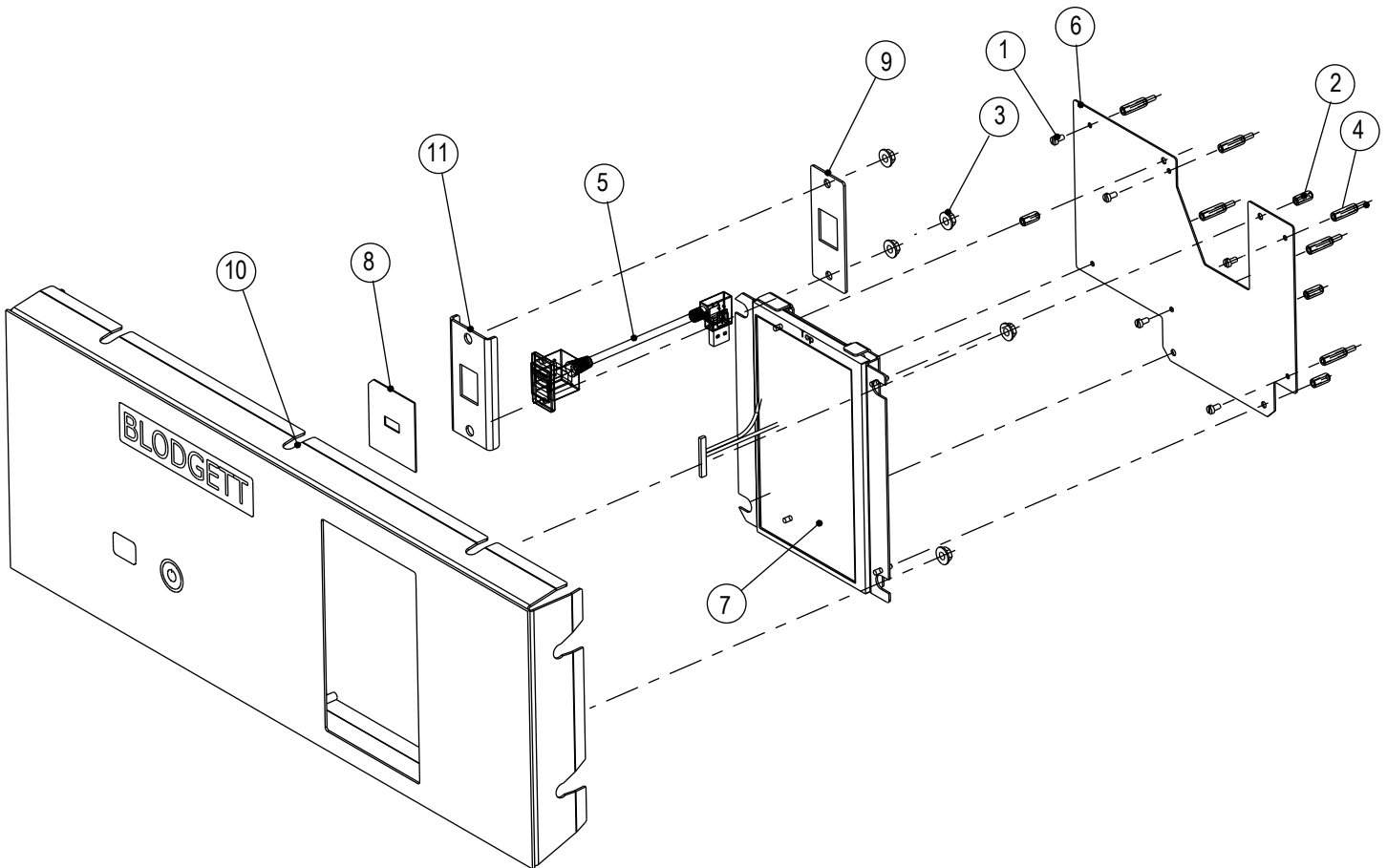
## “TOUCHSCREEN CONTROL OPTION”



| Ref. No. | Part No. | Description                                |
|----------|----------|--|
| 1        | 61827    | Cable for 7" TFT touch display EDT Model 1 |
| 2        | 62251    | Distance tube M2.5 x 12                    |
| 3        | 62450    | Abutment plate frame CS II                 |
| 4        | 60563    | Nut M5 A2 w/flange, serrated               |
| 5        | 61804    | Loud Speakers - 4 ohm                      |
| 6        | 61723    | USB connector chassis mounted              |
| 7        | 61776    | Touch panel CSII B-C-K cpl                 |
| 8        | 61724    | Gasket for touch cotrol CSII               |

| Ref. No. | Part No. | Description                               |
|----------|----------|---|
| 9        | 61911    | Display touch with cable and bracket CSII |
| 10       | 62257    | Bracket f. computer CSII Touch            |
| 11       | 61838    | Computer SE touch                         |
| 12       | 60071    | Distance tube M3 x 12                     |
| 13       | 60551    | Staybolt brass M3x18 with threaded pin    |
| 14       | 62255    | CPU CSII cover plate                      |

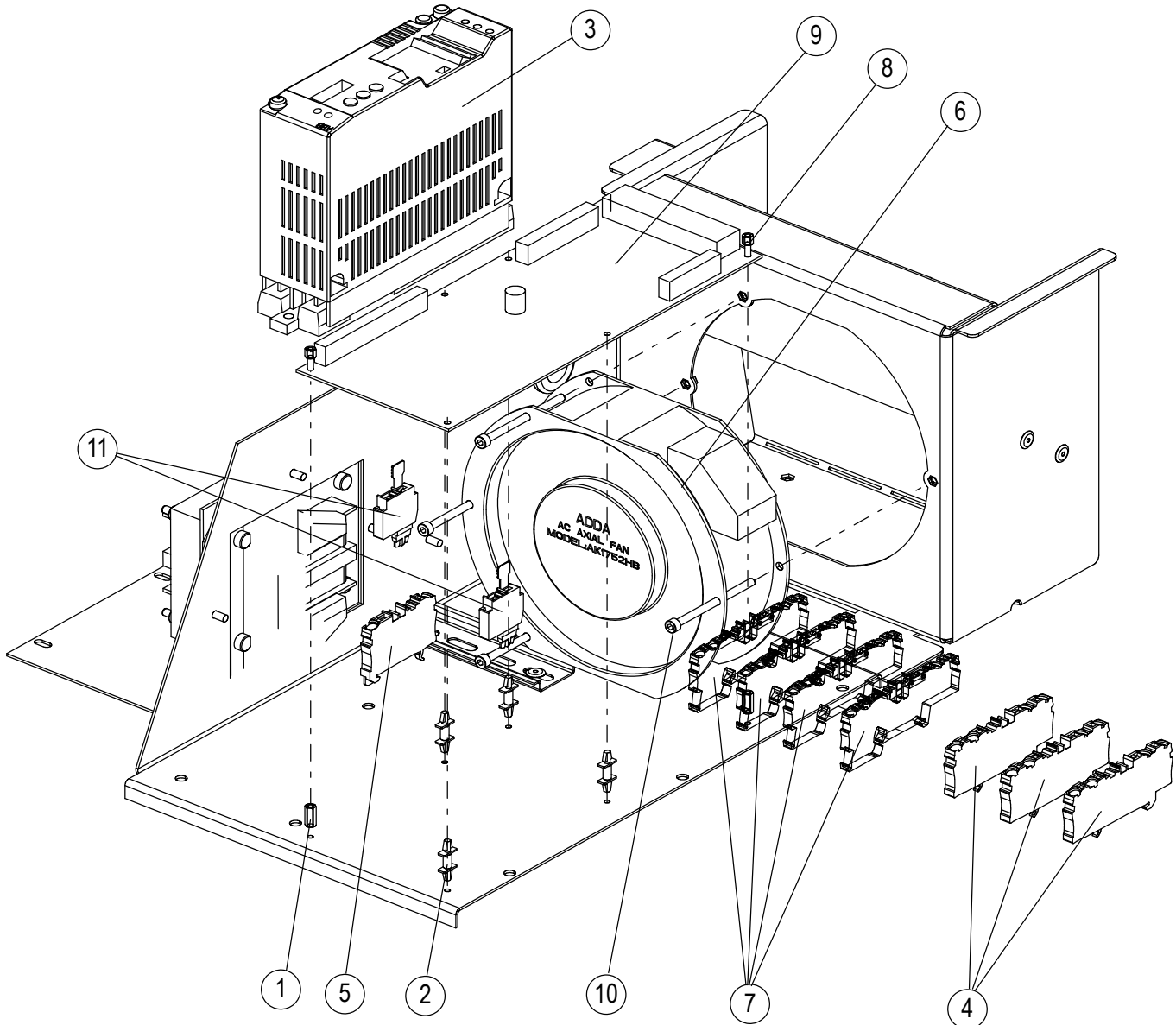
# BLCT CONTROL PANEL FOR WENDY'S



| Ref. No. | Part No. | Description   |
|----------|----------|---|
| 1        | 60037    | Machine Screw 84 M3 x 6 A2  |
| 2        | 60071    | Stag- messing M3x12   |
| 3        | 60563    | Flange Nut With Serrate 6923 M5 A2                                  |
| 4        | 60564    | Shaft M3x18 with thread   |
| 5        | 62330    | USB connector chassis 0.35M incl. dust cover                        |
| 6        | 62491    | Bracket f. computer CS Touch  |
| 7        | 62668    | CSII Touch display assembly, reinforced OL (Wendy's after 08/10/17) |
| 8        | 62664    | Plate f. magnet   |

| Ref. No. | Part No. | Description  |
|----------|----------|--|
| 9        | 62665    | Support bracket f. USB   |
| 10       | 62490    | Keypad frame Cpl. f. CSII Blodgett BCT (Wendy's after 08/10/17)                                |
| 11       | 62666    | Profil f. USB- connector   |
|          | 62669    | CSII Control panel, w/display and reinforced OL (for side access controls)                     |
|          | 62673    | CSII Control panel, w/display and reinforced OL (for side access controls) and software update |

# ELECTRICAL COMPONENTS (LEFT)

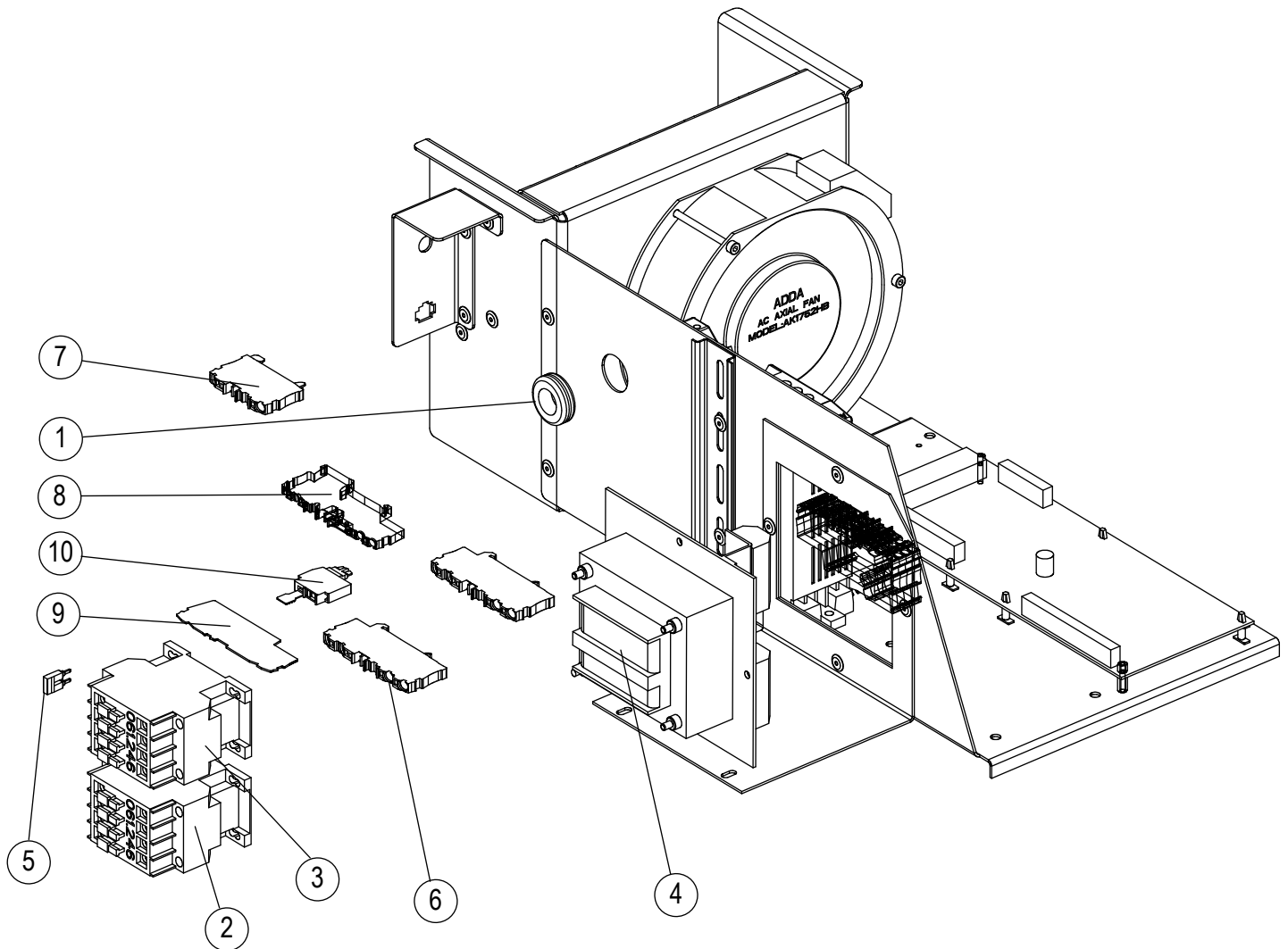


| Ref. No. | Part No. | Description                                   |
|----------|----------|---|
| 1        | 60071    | Distance tube, M3 x 12                        |
| 2        | 60581    | Retainer for circuit board, double nylon 11.1 |
| 3        | 61616    | Frequency inverter, 18 kW                     |
| 4        | 62292    | S Terminal 4 Q, 2 wires Blue                  |
| 5        | 62299    | S Fuse carrier                                |
| 6        | 60124    | Cooling fan Ø120                              |
| 6        | 62296    | Cooling Fan Ø140                              |
| 7        | 62297    | Terminal block, 4 pins for fuse carrier, grey |
| 8        | 62253    | Staybolt brass, M3x5 m threaded pin           |
| 9        | 62329    | I/O-Board                                     |

| Ref. No. | Part No. | Description                            |
|----------|----------|--|
| 10       | 62328    | Screw Allen, CH M4x60 A2               |
| 11       | 60925    | Fuse 3,15A (F1,F3)                     |
| 11       | 61613    | Fuse 2A (F2)                           |
|          | 61597    | Adapter 1/2" BSP 3/4" GHT              |
|          | 61599    | Reducing nipple 3/4" - 1/2"            |
|          | 61336    | Combi wash lines                       |
|          | 61898    | Combi wash lines with labels (Wendy's) |
|          | 61614    | Fuse, 5A 2 PCS                         |
|          | 61615    | Fuse, 8A 2 PCS                         |



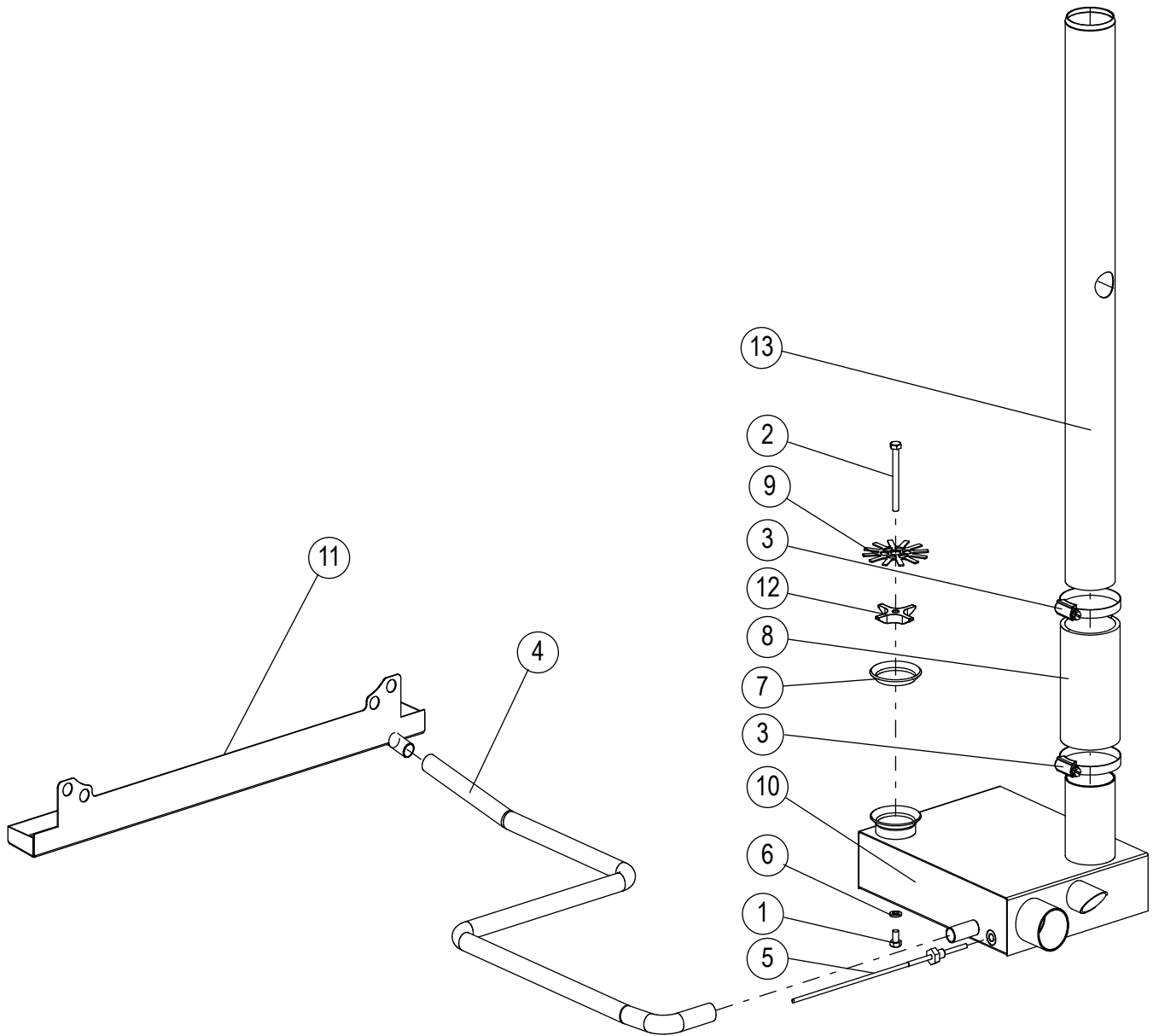
# ELECTRICAL COMPONENTS (RIGHT)



| Ref. No. | Part No. | Description                                     |
|----------|----------|---|
| 1        | 60141    | Lead-in Ø16/Ø22x1.5                             |
| 2        | 60127    | Contactor A16 24V 50/60Hz                       |
| 3        | 60127    | Contactor A16 24V 50/60Hz                       |
| 4        | 62291    | Transformer, 200-230-240/2x24-12                |
| 4        | 62400    | Transformer, 400-415-440-480/2x24-12-230 /donga |
| 5        | 62293    | Jumper 2,5 Q                                    |

| Ref. No. | Part No. | Description                                  |
|----------|----------|--|
| 6        | 62294    | Terminal block 4 Q, 4 pins blue              |
| 7        | 62295    | Terminal block 4 Q, 2 pins Yellow/green      |
| 8        | 62297    | Terminal block 4 pins for fuse carrier, grey |
| 9        | 62298    | S Endcover 4-wires gray.                     |
| 10       | 62299    | S Fuse carrier                               |
|          | 60128    | K2 Heat contactor A26                        |

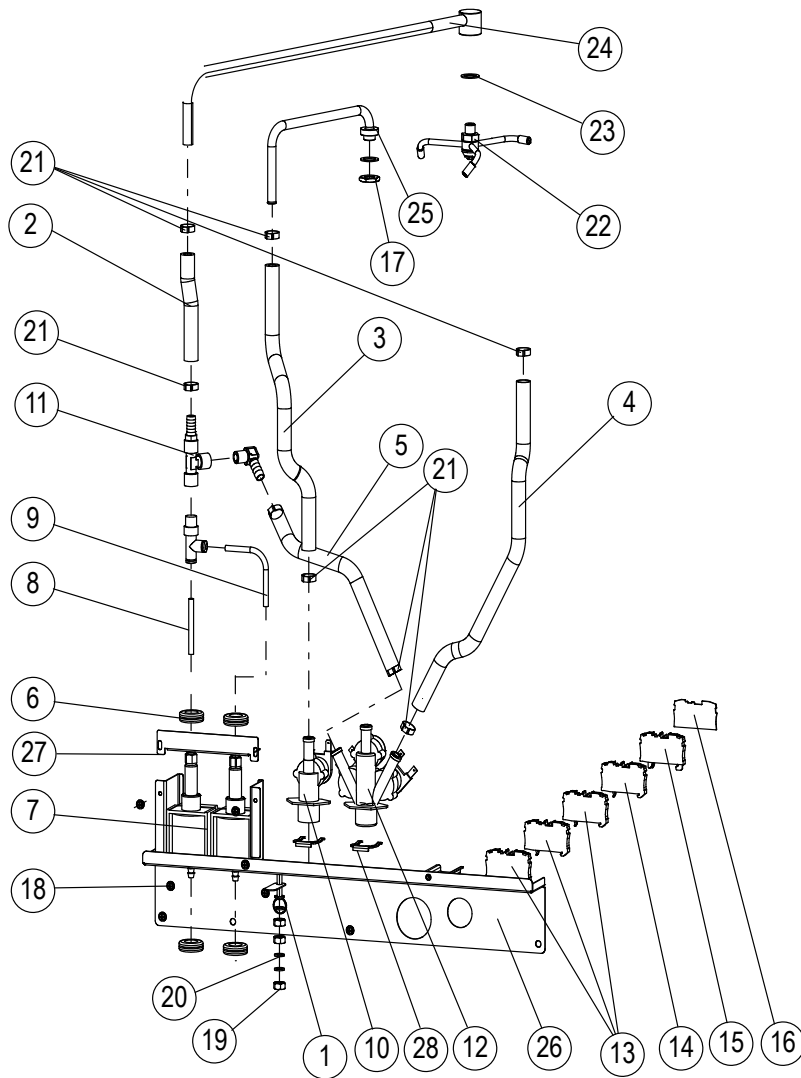
# DRAIN



| Ref. No. | Part No. | Description              |
|----------|----------|--------------------------|
| 1        | 62276    | Screw, set M6 x 10       |
| 2        | 62277    | Screw, M6 x 60 A2        |
| 3        | 60910    | Hose clamp, Ø46-Ø64      |
| 4        | 60187    | Hose for drain Drip tray |
| 5        | 60334    | Condensing Sensor        |
| 6        | 60088    | Washer, 6mm              |
| 7        | 61732    | Gasket for drainbox CS   |

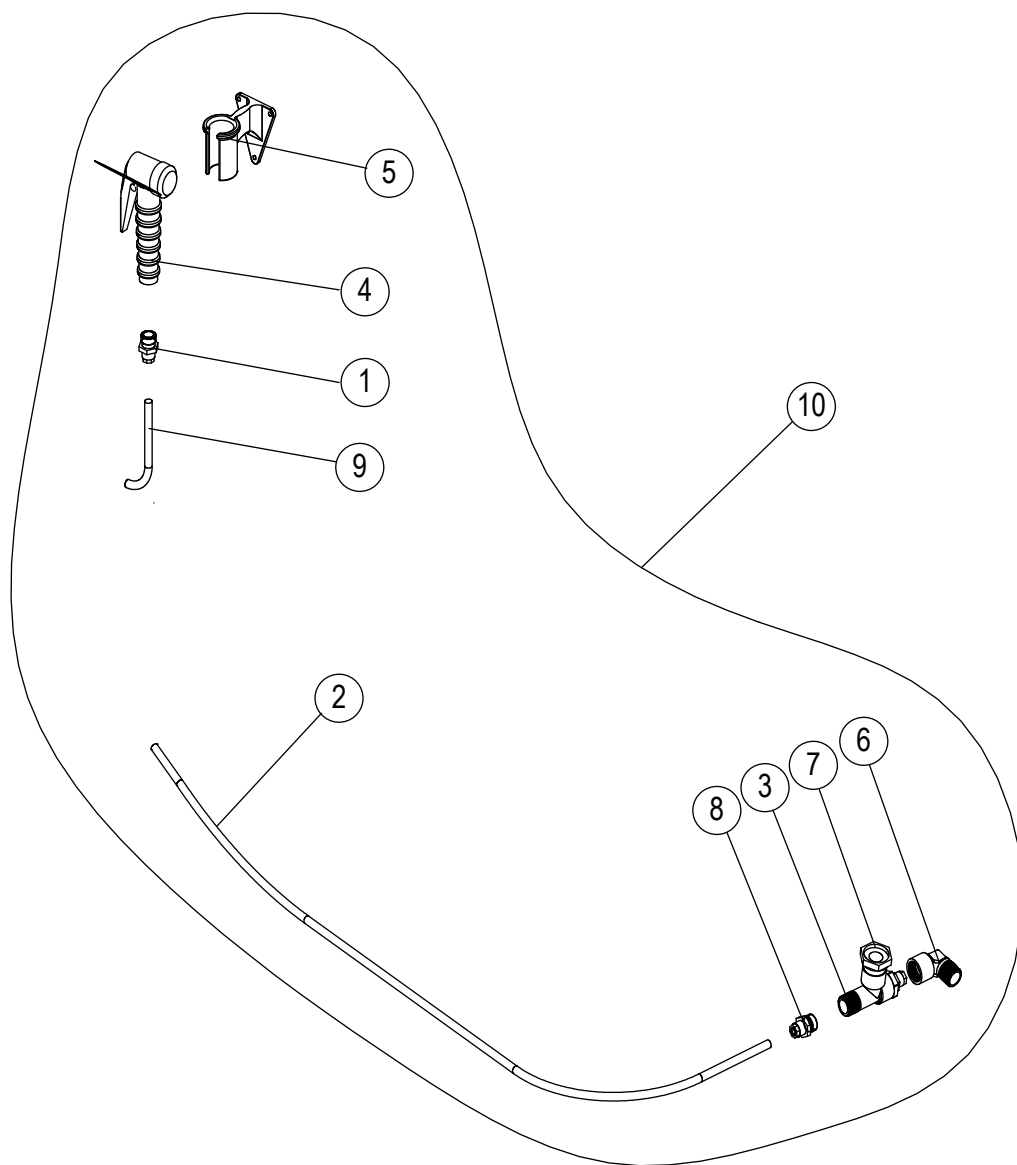
| Ref. No. | Part No. | Description                   |
|----------|----------|-------------------------------|
| 8        | 61565    | Hose blue Ø50 (Sold by inch)  |
| 9        | 61733    | Drain Siv CS                  |
| 10       | 62259    | Drain box                     |
| 11       | 62258    | Drip tray, CS                 |
| 12       | 62280    | Mounting bracket for CS drain |
| 13       | 61730    | Tube, CS 2/3 & 6 pan          |
| 13       | 61731    | Tube, CS 10 pan               |

# CLEANING SYSTEM



| Ref. No. | Part No. | Description                             | Ref. No. | Part No. | Description                                |
|----------|----------|---|----------|----------|--|
| 1        | M0417    | Washer, spring 6mm                      | 16       | 62486    | S Endcover 6 Q, 2 leader                   |
| 2        | 60929    | Silicon hose Ø10x17 mm L 115MM          | 17       | 62240    | Nut M14 A2 low CSII                        |
| 3        | 60929    | Silicon hose Ø10x17 mm L 200MM          | 18       | 61968    | Screw PH M4x8                              |
| 4        | 60929    | Silicon hose Ø10x17 mm L 300MM          | 19       | 60074    | Nut M6                                     |
| 5        | 60929    | Silicon hose Ø10x17 mm                  | 20       | 60088    | Washer 6mm                                 |
| 6        | 60141    | Lead-in Ø16/Ø22x1.5                     | 21       | 61333    | Clip Ø10 - 16 mm                           |
| 7        | 60194    | Pump for detergent/rinse aid, 24 V      | 22       | 62241    | Washing Arms cpl. 2016                     |
| 8-9      | 62239    | Hose PVDF Flex Ø6xØ4 Red                | 23       | 62242    | Copper washer Ø22xØ15X1mm                  |
| 10       | 60917    | Solenoid valve 1-way/1 coil             | 24       | 61933    | Tube for washarm, 2/3 & 6 pan CS           |
| 10       | 61572    | Solenoid valve 2-way, 2 coil 1,2 L      | 24       | 61934    | Tube for washarm, 10 pan CS                |
| 11       | 62451    | T fitting f wash                        | 25       | 62244    | Injection steam tube                       |
| 12       | 61869    | Solenoid valve 3-way w/2 coils          | 26       | 62245    | Plate f singel and double water connection |
| 12       | 61571    | Solenoid valve 4-way, w/3 coils         | 27       | 61450    | Fixing brackets for dosing pumps CS        |
| 13       | 62331    | Terminal block 6 Q, 2 pins grey         | 28       | 60539    | Plastic clip for solenoid valve            |
| 14       | 62332    | Terminal block 6 Q, 2 pins blue         |          | 60130    | Water Pressure Switch (Not Shown)          |
| 15       | 62333    | Terminal block 6 Q, 2 pins yellow/green |          |          |  |

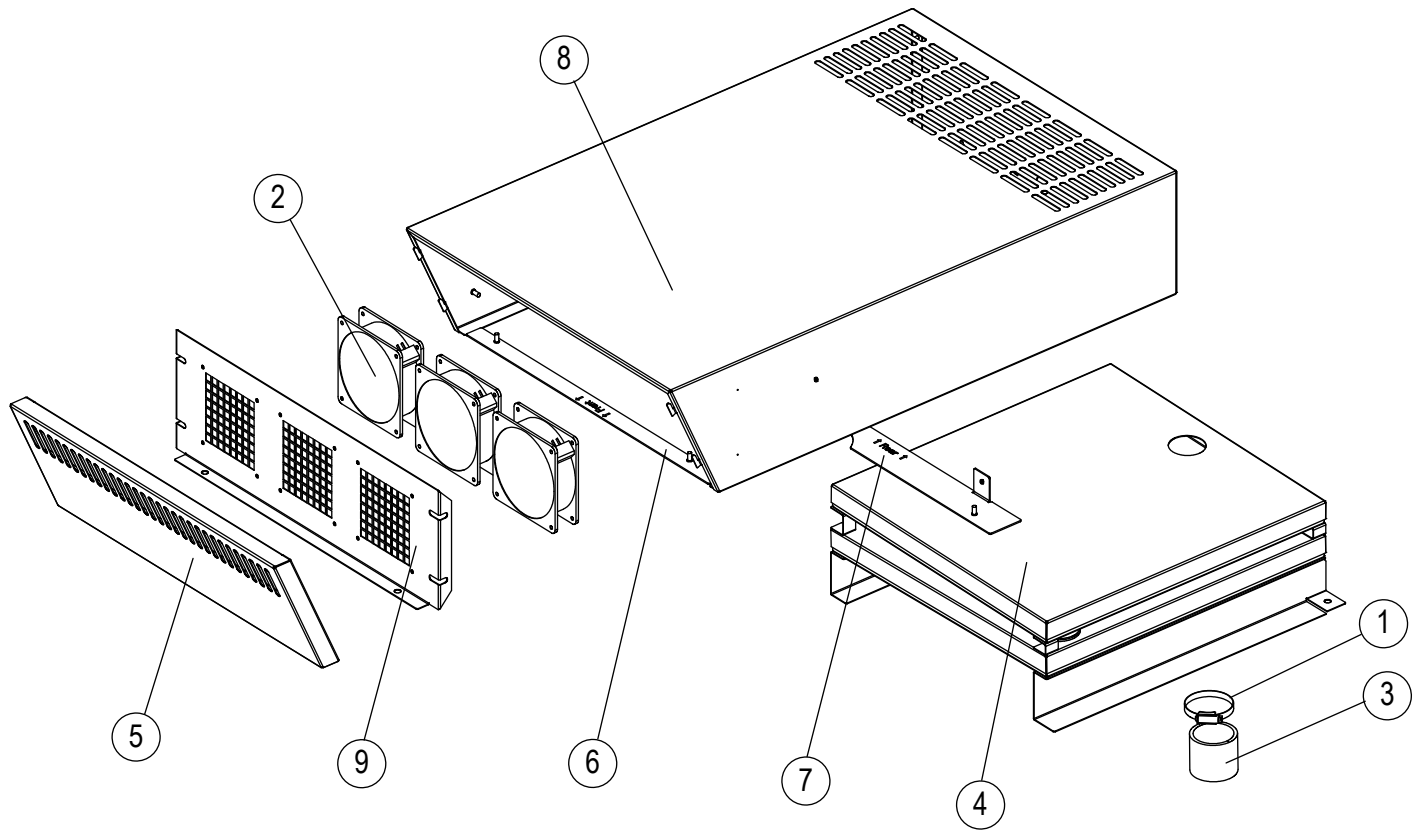
# HANDSHOWER



| Ref. No. | Part No. | Description                      |
|----------|----------|----------------------------------|
| 1        | 61598    | Quick coupling strait 3/8"xØ8/Ø6 |
| 2        | 61601    | Hose                             |
| 3        | 61604    | T-connector for hand shower 1/2" |
| 4        | 60121    | Hand shower                      |
| 5        | 61544    | Holder for handshower CS         |

| Ref. No. | Part No. | Description                 |
|----------|----------|-----------------------------|
| 6        | 61602    | Coupling, elbow 90 x 1/2"   |
| 7        | 61603    | Union joint 1/2             |
| 8        | 61605    | Quick coupling strait Ø8x14 |
| 9        | 61600    | Spring for spray gun        |
| 10       | 61606    | Hand shower cpl CS          |

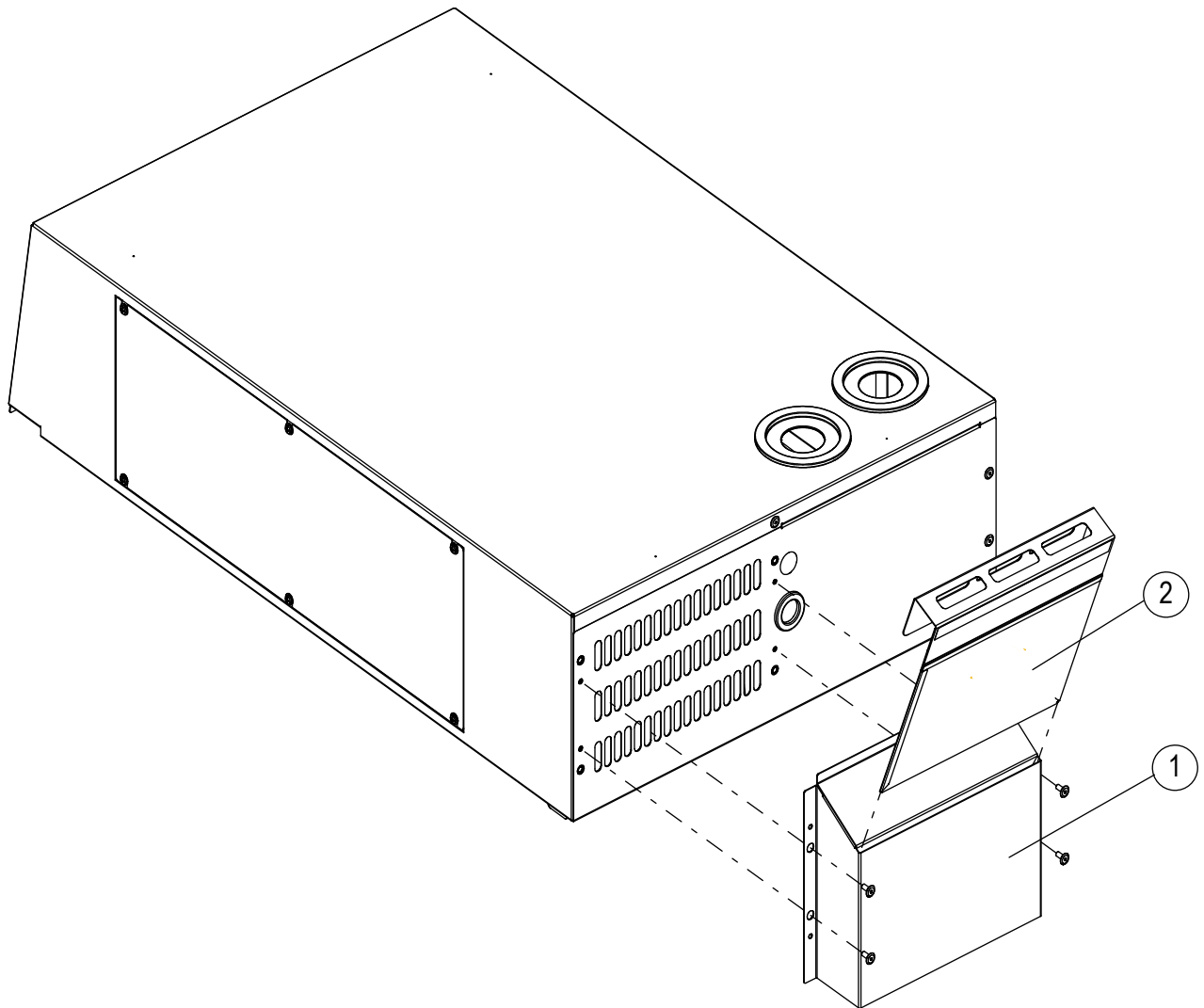
# EXTRACTION HOOD



| <b>Ref. No.</b> | <b>Part No.</b> | <b>Description</b>                  |
|-----------------|-----------------|-------------------------------------|
| 1               | 60910           | Hose clamp Ø46-Ø64                  |
| 2               | 60124           | Cooling fan                         |
| 3               | 61565           | Hose for steam Blue Ø50,8x4,5 L50mm |
| 4               | 61549           | Condenser with console CS           |
| 5               | 62401           | Filter panel CS                     |

| <b>Ref. No.</b> | <b>Part No.</b> | <b>Description</b>                        |
|-----------------|-----------------|---|
| 6               | 62402           | Mounting bracket front CS                 |
| 7               | 62403           | Mounting Bracket rear CS                  |
| 8               | 62404           | Condensation hood housing CSII 6 & 10 pan |
| 9               | 62405           | Bracket for cooling fans                  |

# AIR INTAKE FILTER



| <b>Ref. No.</b> | <b>Part No.</b> | <b>Description</b>          |
|-----------------|-----------------|-----------------------------|
| 1               | 62286           | Filter housing CSII         |
| 2               | 62287           | Filter for air intake. CSII |