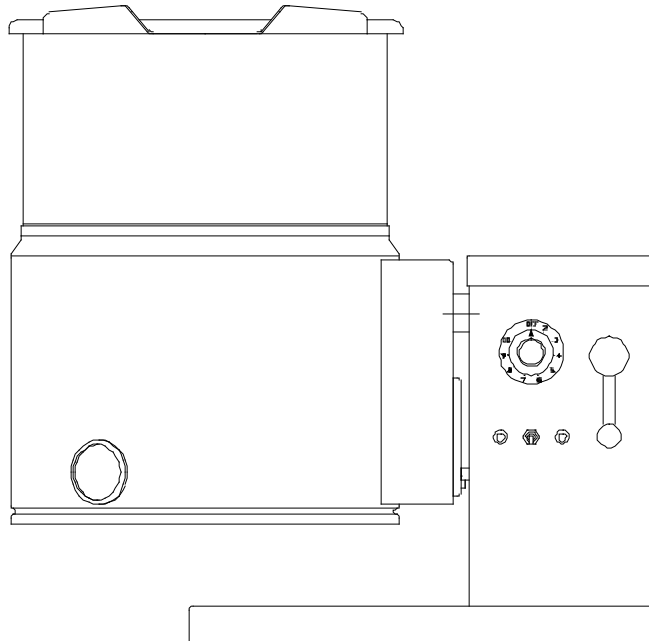




PARTS LIST

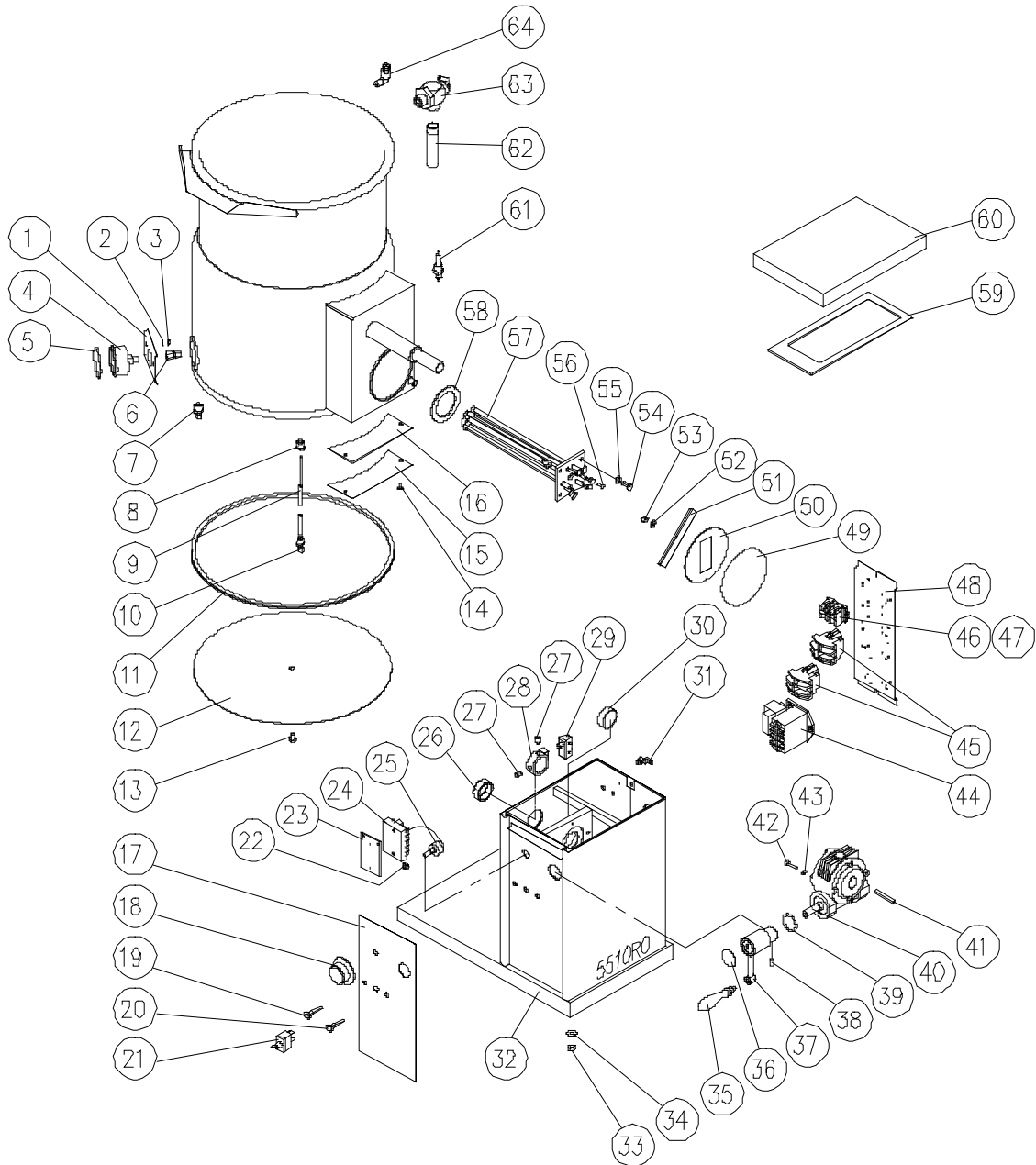
SELF-GENERATING STEAM JACKETED COUNTER TILTING KETTLES

MODELS: KTG-6E
KTG-10E
KTG-12E



September 15, 2010
BLODGETT OVEN CO
44 lakeside Ave ▪ Burlington, VT 05446
Tel. 800-331-5842 ▪ Fax 802-860-3732 ▪ www.blodgett.com

PARTS LIST, SELF-GENERATING STEAM JACKETED COUNTER TILTING KETTLES,
 MODELS KTG-6E, KTG-10E, KTG-12E



PARTS LIST, SELF-GENERATING STEAM JACKETED COUNTER TILTING KETTLES,
MODELS KTG-6E, KTG-10E, KTG-12E

<u>ITEM</u>	<u>Part Number</u>	<u>DESCRIPTION</u>	<u>KTG-6E</u>	<u>KTG-10E</u> <u>KTG-12E</u>
1	42667	Pressure Gauge Plate	1	1
2	43003	Washer #10	2	2
3	42947	Hex Nut 10-32	2	2
4	40907	Pressure Gauge	1	1
5	40151	"O" Ring	1	1
6	404015	Connector - Female	1	1
7	40425	Connector - Male	1	1
8	40300	Reducer Bushing 3/8 x 1/4	1	1
9	43577	Temperature Probe	1	1
10	40423	Connector - Male	1	1
11	40806	Bottom Cover Gasket	1	
	42730	Bottom Cover Gasket		1
12	40355	Bottom Cover	1	
	40360	Bottom Cover		1
13	43423	Hex Screw 5/16 - 18 x 1/2	1	1
14	43424	Machine Screw 10 - 32 x 1/2	2	2
15	40353	Trunnion Box Cover	1	
	40359	Trunnion Box Cover		1
16	40895	Trunnion Box Gasket	1	
	40896	Trunnion Box Gasket		1
17	43425	Console Decal	1	
	43426	Console Decal		1
18	40995	Dial	1	1
19	40820	Temperature Pilot - Red	1	1
20	40821	Low Water Pilot - Amber	1	1
21	41883	Power Switch	1	1
22	41881	Rotary Shaft Seal	1	1
23	40807	Mounting Plate	1	1

PARTS LIST, SELF-GENERATING STEAM JACKETED COUNTER TILTING KETTLES,
MODELS KTG-6E, KTG-10E, KTG-12E

<u>ITEM</u>	<u>Part Number</u>	<u>DESCRIPTION</u>	<u>KTG-6E</u>	<u>KTG-10E</u> <u>KTG-12E</u>
24	41001	Temperature Control	1	1
25	41118	Potentiometer complete with Wires and Hardware	1	1
26	42798	Bearing L. H.	1	1
27	41837	Set Screw 3/8 - 16 x 1/2	2	2
28	40372	Actuator	1	1
29	40938	Interlock Switch	1	1
30	42799	Bearing R. H.	1	1
31	40840	Ground Lug	1	1
	43180	Earth I.D. Tag	1	1
32	42616	Base	1	1
33	41808	Hex Nut, 3/8 - 16 NC	6	6
34	43004	Washer 3/8"	6	6
35	41555	Tilt Handle	1	1
36	43427	Directional Label	1	1
37	42863	Tilt Arm	1	1
38	43428	Set Screw 1/4 - 28 x 1/4	1	1
39	42800	"O" Ring	1	1
40	42448	Gear Box	1	1
41	42801	Key	1	1
42	42803	Socket Hd. Screw M6 x 2.5 mm	4	4
43	42973	Washer M6	4	4
44	43561	Liquid Level Control	1	1
45**	40943	Contactor 208/240V	2	2
	40943	Contactor 380, 415, 480V	1	1
46	40708	Terminal Block	3	3
47	40707	End Section	1	1
48	42176	Component Mounting Plate	1	1

PARTS LIST, SELF-GENERATING STEAM JACKETED COUNTER TILTING KETTLES,
MODELS KTG-6E, KTG-10E, KTG-12E

<u>ITEM</u>	<u>Part Number</u>	<u>DESCRIPTION</u>	<u>KTG-6E</u>	<u>KTG-10E</u> <u>KTG-12E</u>
49	41214	Element Access Cover	1	1
50	40802	Element Access Cover Gasket	1	1
51	42743	Element Access Brace	1	1
52	42601	Internal Tooth Washer 1/4"	1	1
53	43293	Hex Nut 1/4 - 20	1	1
54	43429	Hex Screw 5/16 - 18 x 3/4	4	4
55	43022	Lock Washer 5/16	4	4
56	43430	Screw 10 -32 x 3/8 Brass NI Plated	6	6
57**	41363	Element Assembly, 208V, 7.5 kW	1	
	41365	Element Assembly, 240/416V, 7.5 kW	1	
	41364	Element Assembly, 220/380V, 7.5 kW	1	
	41366	Element Assembly, 480V, 7.5 kW	1	
	42220	Element Assembly, 600V, 7.5 kW	1	
	41367	Element Assembly, 208V, 12 kW		1
	41368	Element Assembly, 220/380V, 12 kW		1
	41369	Element Assembly, 240/416V, 12 kW		1
57**	41370	Element Assembly, 480V, 12 kW		1
	42221	Element Assembly, 600V, 12 kW		1
58	41618	Element Gasket	1	
58	41619	Element Gasket		1
59	43431	Console Cover Gasket	1	1
60	43432	Console Cover	1	1
61	40930	Probe	1	1
62	41044	Down Tube	1	1
63	40613	Relief Valve, 50 PSI	1	1
64	40548	Air Vent Assembly	1	1
65*	40536	Faucet Bracket (Optional)	1	1
66*	40726	Double Faucet 18" (Optional)	1	1

PARTS LIST, SELF-GENERATING STEAM JACKETED COUNTER TILTING KETTLES,
MODELS KTG-6E, KTG-10E, KTG-12E

<u>ITEM</u>	<u>Part Number</u>	<u>DESCRIPTION</u>	<u>KTG-6E</u>	<u>KTG-10E</u> <u>KTG-12E</u>
67*	40729	Single Faucet 18" (Optional)	1	1
68*	42477	Kettle Cover (Optional)		1
69*	41620	Copper Tube - Pressure Gauge	1	
70*	43433	Copper Tube - Pressure Gauge		1
71*	42666	Kettle Cover (Optional)	1	
72*	40974	Transformer, 380/416-120V, 50/60 Hz, 100VA	1	1
73*	40980	Transformer, 480-120V, 60 Hz, 100VA	1	1
74*	40985	Transformer, 600V-120V, 60 Hz, 100VA	1	1
75*	41766	Fuse 1A, 600V (380, 416, 480V)	2	2
**	41764	Fuse 1/4A, 600V (600V)	2	2
76*	41769	Fuse Holder, (380, 416, 480V)	2	2
77*	40689	Wire Harness (LWC, Contactors)	1	1
78*	40690	Wire Harness (Elements, Thermostat)	1	1

* NOT SHOWN.

** SELECT AS REQUIRED.