

HL8 Series DUAL HOLDING CABINET
with PAN SLIDES & TWO-DRAWER WARMER
MODEL: HL8-10-RW (Formerly HBU10S1XE-RW & HBC20S1XE-RW)
OWNERS / OPERATORS MANUAL



MANUFACTURED BY:

CARTER-HOFFMANN
1551 McCormick Avenue
Mundelein, IL 60060 U.S.A.

Phone: 847-362-5500
Fax: 847-367-8981
Toll Free: 800-323-9793
Email: technicalservice@carter-hoffmann.com



HL8-10-RW
with optional glass door



**READ THIS MANUAL COMPLETELY
BEFORE OPERATING THIS APPLIANCE**

IMPORTANT: DO NOT DISCARD THIS MANUAL

This manual is considered to be part of the appliance and is to be given to the OWNER or MANAGER, or to the person responsible for training operators of this appliance.

**THIS MANUAL IS TO BE UNDERSTOOD BY ALL PERSONS
USING OR INSTALLING THIS APPLIANCE.**

Contact Carter-Hoffmann if you have questions regarding installation, operation or maintenance of this equipment.

TABLE OF CONTENTS

SAFETY PRECAUTIONS	2
FEATURES & SPECIFICATIONS	3
UNPACKING, INSPECTION & FREIGHT DAMAGE	4
INSTALLATION & STARTUP	5
CONTROL PANEL LAYOUT	6
NORMAL OPERATION-HOLDING CABINET	7-8
NORMAL OPERATION-DRAWER WARMER	9-11
FOOD HOLDING GUIDE	12
REGULAR CLEANING PROCEDURES	13-14
MAINTENANCE	15-16
WIRING DIAGRAMS	17
PARTS LIST	18
TROUBLESHOOTING GUIDE	19
WARRANTY STATEMENT	20

SAFETY PRECAUTIONS



WARNING: ELECTRIC SHOCK HAZARD

All service requiring access to non-insulated components must be performed by qualified service personnel. Failure to heed this warning may result in severe electric shock.



CAUTION: ELECTRIC SHOCK HAZARD

Disconnect this appliance from electrical power before performing any maintenance or service.



CAUTION: BURN HAZARD

Exposed metal surfaces can be hot to the touch and may cause burns.

IMPORTANT SAFETY INSTRUCTIONS

When using electrical appliances basic safety precautions should be adhered to, including the following:

- 1) Be familiar with the appliance use, limitations and associated restrictions. Operating instructions must be read and understood by all persons using or installing this appliance.
- 2) This appliance must be grounded. Connect only to properly grounded outlet.
- 3) Use this appliance only for its intended purpose as described in the manual.
 - a. This equipment is specifically designed to hold pre-cooked food at temperature.
 - b. This equipment is intended for use in commercial establishments only.
 - c. This equipment is not designed for industrial or laboratory use.
- 4) Cleanliness of this appliance and its accessories is essential to good sanitation.
- 5) DO NOT submerge this appliance in water. This appliance is not jet stream approved. DO NOT direct water jet or steam jet at this appliance, or at any control panel or wiring. DO NOT splash or pour water on, in or over any controls, control panel or wiring. DO NOT use corrosive chemicals or vapors in this appliance.
- 6) DO NOT store this appliance outdoors. DO NOT use this product near water – for example, near a kitchen sink, in a wet basement, or near a swimming pool, and the like.
- 7) DO NOT operate this appliance if it has a damaged cord or plug, if it is not working properly, or if it has been damaged or dropped. Do not immerse cord or plug in water, keep cord away from heated surfaces, and do not let cord hang over edge of table or counter.
- 8) DO NOT cover or block any openings on the appliance.
- 9) **Only qualified service personnel should service this appliance.**

NOTE: The technical content of this manual, including any wiring diagrams, schematics, parts breakdown illustrations and/or adjustment procedures, is **intended for use by qualified technical personnel** and is subject to change without notice.

FEATURES & SPECIFICATIONS



Features & Benefits

- Get a holding cabinet and a two-drawer warmer - all in one cabinet and save space!
- All stainless steel construction with double pane glass door
- Top holding cabinet has precision-engineered top mount heating system with digital controls and temperature read-out; blower heat for active, even, fast heat-up and recovery
- Adjustable universal pan slides for 18"x26" and 12"x20" pans; optional fixed angle slides for 18"x26" pans
- Two drawer warmer built into bottom of unit; accommodates 12"x20" steam table pans up to 6" deep, end-loaded (Wells Mfg Model # RWN-26)
- Individual thermostatic temperature control for each drawer with adjustable front vents to allow humidity control
- Self-latching, one-touch drawer closure
- Heavy-duty casters, two swivel, two swivel with brake



HL8-10-RW
shown with optional double-pane tempered glass door

Dual Warming Cabinet with Pan Slides and Two-Drawer Warmer

Model Number	Cabinet Pan/Tray Capacity*		Slide Pairs Provided	Drawer Warmer Pan Capacity 12" x 20" (up to 6" deep)	Overall Dimensions			Caster Diameter in (mm)	Class 100 Shipping Weight lbs (kgs)
	12"x20"	18"x26"			Height	Depth in (mm)	Width		
HBU10S1XE-RW	20	10	10	2 (one per drawer)	76-3/8 (1940)	32-5/8 (829)	28-1/4 (718)	5 (127)	458 (208)

* Standard spacing at 3", adjustable on 1-1/2" centers.

Electrical Information:

120 volt, 1900 watts, 16A, 1PH, 60Hz, NEMA 5-20P plug. Ten foot rubber cord with 3 prong grounding plug.



APPROVALS :



UNPACKING AND INSPECTION



This appliance should be thoroughly cleaned prior to use.

See the **CLEANING INSTRUCTIONS** in this manual.

NOTE: DO NOT discard the carton or other packing materials until you have inspected the appliance for hidden damage and checked it for proper operation.

Refer to **FREIGHT DAMAGE CLAIM PROCEDURE** on bottom of this page.

UNPACKING AND INSPECTION

1. Remove the cabinet from shipping carton, ensuring that all packing materials and protective plastic has been removed from the unit.
2. Inspect all components for completeness and condition.
3. If any freight damage is present, a freight claim must be filed immediately with the shipping company.
4. **Freight damage is not covered under warranty.**
5. Check to insure all components are included: cabinet, instruction packet and additional accessories.
6. Read operation instructions completely.
7. Appliance should be thoroughly cleaned before use. See **CLEANING INSTRUCTIONS** (pages 13-14) in this manual.
8. Carefully account for all components and accessories before discarding packing materials. Store all accessories in a convenient place for later use.

COMPONENTS

Cabinet

10 pair universal pan slides in box (HBU only); HBC pan slides are welded to the pan racks on each interior side wall
2 Drawer insert pans (drawer warmers)
Humitrol racks (if ordered with unit)

FREIGHT DAMAGE CLAIM PROCEDURE

NOTE: For your protection, please note that equipment in this shipment was carefully inspected and packaged by skilled personnel before leaving the factory. Upon acceptance of this shipment, the transportation company assumes full responsibility for its safe delivery.

IF SHIPMENT ARRIVES DAMAGED:

1. **VISIBLE LOSS OR DAMAGE:** Be certain that any visible loss or damage is noted on the freight bill or express receipt, and that the note of loss or damage is signed by the delivery person.
2. **FILE CLAIM FOR DAMAGE IMMEDIATELY:** Regardless of the extent of damage. **Contact your dealer immediately.**
3. **CONCEALED DAMAGE:** If damage is unnoticed until the merchandise is unpacked, notify the transportation company or carrier immediately, and then file a "CONCEALED DAMAGE" claim with them. This should be done within fifteen (15) days from the date the delivery was made to you. **Be sure to retain the container for inspection.**

Carter-Hoffmann cannot assume liability for damage or loss incurred in transit, **freight damage is not covered under warranty.** We will, however, at your request, supply you with the necessary documents to support your claim.

INSTALLATION and START-UP



WARNING: Risk of personal injury

Installation procedures must be performed by a qualified technician with full knowledge of all applicable electrical codes. Failure could result in personal injury and property damage.



IMPORTANT: Power cord is 10' long

If necessary, contact a licensed electrician to install an appropriate 20 amp electrical circuit with correct NEMA receptacle.

DO NOT use an extension cord.



CAUTION: Electrical Shock Hazard

The ground prong of the power cord is part of a system designed to protect you from electric shock in the event of internal damage.

DO NOT cut off the large round ground prong or twist a blade to fit an existing receptacle.



IMPORTANT: Not under warranty

Damage to unit due to being connected to the wrong voltage or phase is **NOT** covered by warranty.



WARNING: Risk of personal injury

Unit is not waterproof, to avoid electrical shock, keep unit and counter from being submerged in water. Do not operate if unit has been in contact with water.

LOCATION

For proper operation and maximum performance, locate the unit in an ambient air temperature of 70°F (21°C).

Avoid placement in areas near exhaust fans or where there are active air movements.

For safe operation and maximum performance, locate the unit at least 2" from any wall or combustible material. Avoid storing flammable or combustible materials in, on or near the appliance.

Unit must be on a solid level surface.

GROUNDING INSTRUCTIONS

This appliance is equipped with a cord having a grounding wire with a grounding plug which must be plugged into an outlet that is properly installed and grounded. In the event of an electrical short circuit, grounding reduces the risk of electric shock by providing an escape wire for the electric current.

WARNING—Improper use of the grounding can result in a risk of electric shock. Consult a qualified electrician or service agent if the grounding instructions are not completely understood, or if doubt exists as to whether the appliance is properly grounded.

To prevent an electrical shock hazard between the appliance and other appliances or metal parts in close vicinity, an equalization-bonding stud is provided. An equalization bonding lead must be connected to this stud and the other appliances/metal parts to provide sufficient protection against potential difference. The terminal is marked with the following symbol:



START-UP

1. Prior to use, thoroughly clean the interior of the unit, per the instructions in this manual.
2. Plug the power cord of the cabinet into a grounded outlet with a electrical service according to the electrical information provided at right.
3. Set POWER switch to the "ON" position.
4. Do not load product into the cabinet. Allow the heat to remove any residual oils which may adhere to inside metal surfaces. A slight emission of smoke is common during the first few hours of operation.

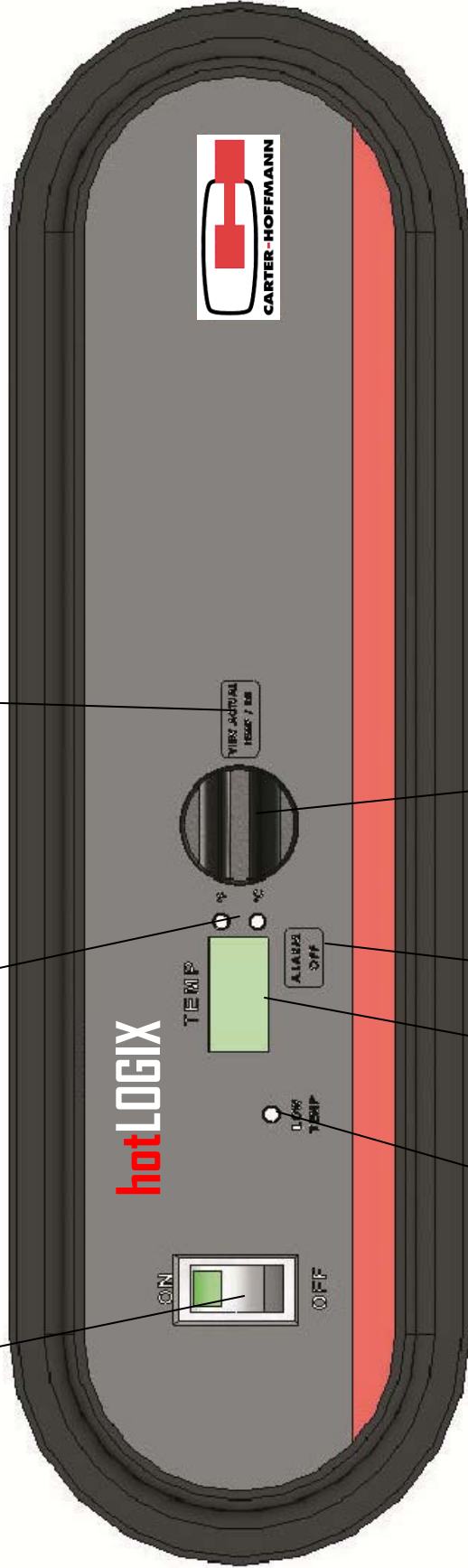
Electrical Information: operates on 120 volts, 60 cycle, 2000 watts, 16.7 amps. NEMA 5-20P plug. Ten foot rubber cord with 3-prong grounding plug

Holding Cabinet Control panel layout

Temperature scale indicator (°F or °C)

Power Switch

Press to show actual Temperature inside cabinet.
Press and hold for 10 seconds to toggle the temperature scale between Fahrenheit to Celsius



Low Temperature indicator

Displays set-point and actual cabinet temperature values

Press to silence low temperature alarm. Press and hold for 10 seconds to enter Alarm Toggle menu

Turn knob clockwise to increase temperature set-point; turn counterclockwise to reduce temperature setpoint

HOLDING CABINET—NORMAL OPERATION



CAUTION: HOT SURFACE

Inner surfaces of the unit will be very hot during and after operation.

Avoid touching the cabinet when loading or removing product.

Factory default setpoints:

- temperature: 160°F
- low temp alarm: 140°F

Operating ranges:

- temp alarm: 80°F-180°F
- air temp: 90°F-200°F

The factory default for the temperature display is in °F.

To change the display to read in °C, push in and hold the view actual button for 10 seconds. The display will now read in °C.

To change the display temp back to °F, repeat the same procedure above.

FIRST USE

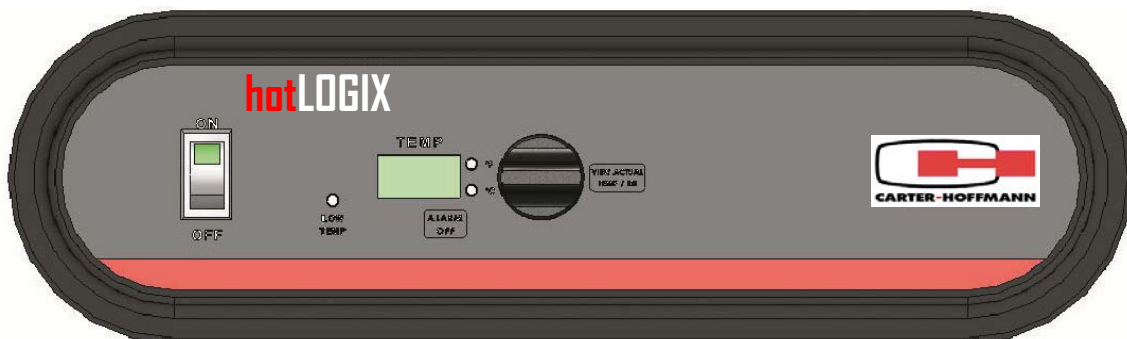
Turn the cabinet on using the power switch located on the far left side of the control panel. Once the switch is turned on, the control display will illuminate.

When the cabinet is first turned on, the temperature display will show the current hardware / software revision, for example: "r26". Then display will then alternately flash "PrE" and the set point values.

To adjust the temperature setting, rotate the TEMP dial to the desired set point and stop. After 3 seconds, if setting is adjusted, the newly adjusted value will be stored in the controller's memory. If the cabinet power is interrupted, the last value set will be the new value restored upon power being restored.

It will take approximately 30 minutes for the cabinet to warm up to a factory default setting of 160° F. Once the set point is reached, a short alarm burst will be heard to indicate that the cabinet has reached the set point.

NOTE: The holding cabinet section of this appliance and drawer warmers can be operated independently of one another. See pages 9-11 for operation instructions for the drawer warmers.



HOLDING CABINET—NORMAL OPERATION (CONT)



CAUTION: HOT SURFACE

Inner surfaces of the unit will be very hot during and after operation.

Avoid touching the cabinet when loading or removing product.

Factory default setpoints:

- temperature: 160°F
- low temp alarm: 140°F

Operating ranges:

- temp alarm: 80°F-180°F
- air temp: 90°F-200°F

LOW TEMPERATURE ALARM

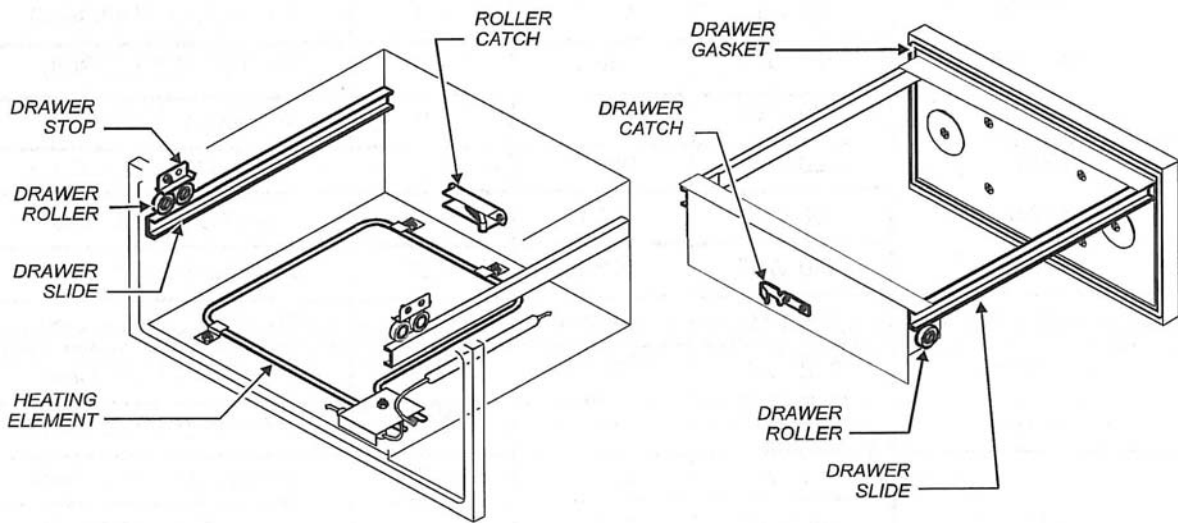
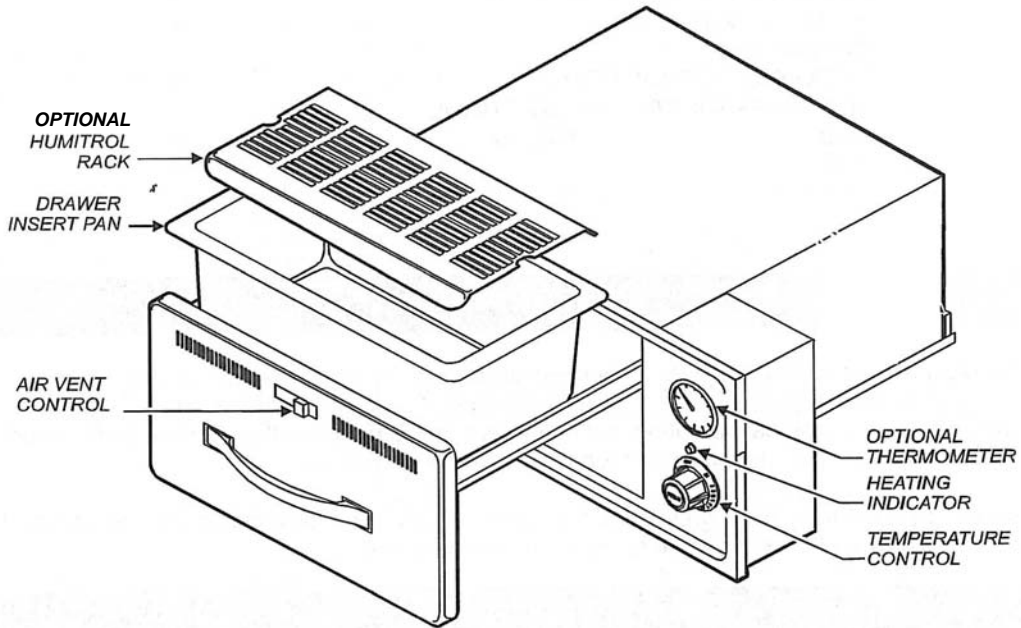
The cabinet is equipped with a low temperature alarm feature. When the alarm is active, the temperature display will indicate “LO” and then “TEMP” and the audible alarm will sound. To silence the alarm, press the “alarm off” button. If the actual temperature is still below the low temperature alarm set point after 5 minutes, the alarm will sound again.

This alarm can be triggered by the door being left open, loading of product that is much colder than the temperature set point in the cabinet or due to a malfunction of the heating system.

To change the low temperature alarm set point, press and hold the “alarm off” button while adjusting the temperature set point knob to the new desired value. **Due to food safety concerns, the low temperature alarm should not be set below 140 degrees F.** After 3 seconds, the controller will accept the new set point. The new value will be stored in the controller memory until the next time the value is changed.

The audible alarm for low cabinet temperature can be turned off. The factory default is *ON*. To enter into the adjustment mode, push in and hold the “alarm off” button until the alarm sounds. The display will read either (*ON* or *OFF*). To change the status, push the temperature knob, which will function as a toggle switch to select between *ON* or *OFF*. After 10 seconds, the controller will accept the desired audible alarm function (either *ON* or *OFF*). If *OFF* is selected, the temperature display will still indicate “LO” and “TEMP” if the low temp alarm is tripped.

DRAWER WARMER—FEATURES & CONTROLS



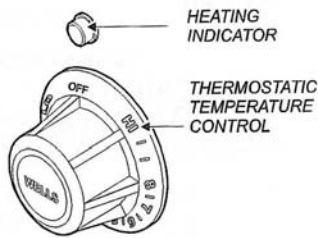
DRAWER WARMER—NORMAL OPERATION



CAUTION: HOT SURFACE

Exposed surfaces can be hot to the touch and may cause burns

Avoid touching the cabinet when loading or removing product.



HEATING OPTIONS

MOIST HEAT: Moist operation prevents food from drying out as heat is applied to the warming chamber.

DRY HEAT: For some applications, you may want to store previously prepared foods in a dry-heat environment.

1. MOIST HEAT WITH PANS

- A. The drawer warmers are designed to accommodate any combination of standard-size, steam table pans.
- B. Place a small amount of water in the drawer pan. Place the steam table pans in the drawer pan.
- C. Check the water level periodically, and add water when necessary
- D. Set the front air vent between fully closed and half open. Actual setting will depend on the type and amount of product stored in the drawer, the temperature setting, and the frequency in which the drawer is opened.

2. DRY HEAT

- A. To warm with dry heat, place the food directly into the empty (i.e. no water) drawer pan.

3. MOIST HEAT WITH OPTIONAL HUMITROL RACK

- A. To set for MOIST OPERATION, remove the Humitrol Rack from the bottom of the drawer insert pan and carefully pour approximately 2 quarts of water (1/2" depth) into the pan. Reinstall rack.
- B. When the drawer is closed, the Humitrol Rack allows water vapor to rise through the stored product in the drawer. The Humitrol Rack also decreases the sloshing effect of the water in the pan when the drawer is opened.
- C. Place the food directly on the rack. The rack is designed to support the food off of the steam vents, where condensation may form.
- D. Check the water level in the pan periodically and add water when necessary.
- E. Set the front air vent between fully closed and half open. Actual setting will depend on the type and amount of product stored in the drawer, the temperature setting, and the frequency in which the drawer is opened.

DRAWER WARMER—NORMAL OPERATION



**CAUTION:
HOT SURFACE**

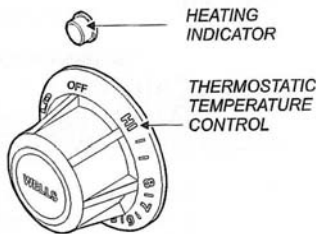
Exposed surfaces can be hot to the touch and may cause burns

Avoid touching the cabinet when loading or removing product.



**CAUTION:
ELECTRICAL
SHOCK HAZARD**

DO NOT splash or pour water onto control panel or wiring.



OPERATION

1. Determine the type of food to be warmed.
2. Refer to the chart below to determine the type of heat required.
3. Set the air vent control for the type of heat, and rotate the thermostat knob to the desired temperature setting.
4. Allow warmer to pre-heat for approximately 30 minutes before use.

DO's and DON'TS

- DO** Always use a drawer pan
- DO NOT** Place food directly into the warmer cavity
- DO** Check water level frequently in moist-operation warmer use
- DO** Use a Humitrol Rack or insets to hold food for moist operation
- DO** Use warm water when adding water to the pan during moist operation
- DO NOT** Put ice into a warmer pan. Ice in the pan will cause condensation on the inside of the warmer cavity

NOTE: The chart below is intended as a guide only. Your own experience with this appliance, type of foods and method of operation will enable you to determine the temperature controls and air vent settings best suited to your operation.

OPERATING CHART FOR DRAWER WARMERS

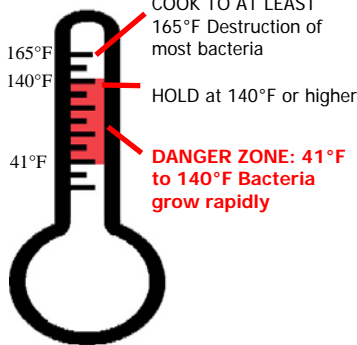
PRODUCT TYPE	RECOMMENDED STORAGE TEMP.	TYPE OF HEAT	CONTROL SETTING	AIR VENT SETTING
Hard Rolls	160° - 185°F	Dry	7-8	Full Open
Soft Rolls	150° - 175°F	Moist	6-7	Open - 1/2
Vegetables	175° - 185°F	Moist	7-8	Open - 1/2
Meats	165° - 185°F	Dry	6-8	Full Open
Fish	165° - 185°F	Moist	6-8	Closed
Casseroles	150° - 175°F	Dry	6-8	Full Open
Pies, Desserts	160° - 185°F	Dry	6-7	Full Open
Taco Shells	150° - 170°F	Dry (do not put water in pan)	4-6	Full Open
Corn Chips	150° - 170°F	Dry (do not put water in pan)	4-6	Full Open

FOOD HOLDING GUIDE



CAUTION: SAFE FOOD HOLDING PRACTICES RECOMMENDED

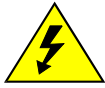
Cooking food to a safe temperature, holding at a temperature of at least 140°F (60°C) is critical in the prevention of foodborne illness. Hold only cooked, hot food at 140°F or higher. This cabinet is not intended to cook or reheat food. Food must be at appropriate temperature before being placed into cabinet.



PRODUCT (Covered Food, except where noted)	SET TEMPERATURE (°F / °C)	MAXIMUM TIME (MINUTES)
Bacon, Canadian	180°F / 82°C	30
Bacon, Crisp (uncovered)	180°F / 82°C	30
Baked Potato	180°F / 82°C	60
Biscuits	170°F / 77°C	60
Casseroles	175°F / 79°C	90
Chops, Sliced Meats	160°F / 71°C	60
Chicken, Fried (uncovered)	170°F / 77°C	30
Chicken, Boneless Breasts	175°F / 79°C	60
Chicken Nuggets, Deep Fried (uncovered)	190°F / 88°C	25
Chicken, Pre-Cooked Grilled Boneless Patties	175°F / 79°C	90
Coffee Cakes (uncovered)	170°F / 77°C	60
Cookies (uncovered)	175°F / 79°C	90
Crab Legs	160°F / 71°C	45
Croissants	170°F / 77°C	45
Eggs	160°F / 71°C	45
Fish, Deep-Fried (uncovered)	170°F / 77°C	30
Fish, Baked	155°F / 68°C	45
Fish, Broiled	155°F / 68°C	45
French Toast	165°F / 74°C	60
Gravies / Sauces	170°F / 77°C	45
Hamburgers / Ground Meat Patties	180°F / 82°C	45
Hot Dogs	180°F / 82°C	90
Muffins	170°F / 77°C	60
Omelets	160°F / 71°C	30
Pancakes	180°F / 82°C	30
Pasta	175°F / 79°C	60
Pastries	165°F / 74°C	30
Pizza (uncovered)	180°F / 82°C	15
Pizza (boxed)	180°F / 82°C	60
Poppers, Deep Fried (uncovered)	190°F / 88°C	25
Poultry, Whole, bone-in	175°F / 79°C	60
Poultry, Cut-up, bone-in	175°F / 79°C	60
Ribs	175°F / 79°C	90
Rice	175°F / 79°C	30
Roasts / Bone-in Meats	165°F / 74°C	90
Sausage	180°F / 82°C	90
Shrimp / Shellfish	150°F / 66°C	60
Soups (broth)	185°F / 85°C	90
Tortillas (soft)	180°F / 82°C	60
Vegetables	175°F / 79°C	45

NOTE: Times and temperatures observed in a test kitchen environment. Times and temperatures may vary, depending on initial food quality, initial cooked temperature and user expectations of acceptable food quality.

DAILY CLEANING PROCEDURES-HOLDING CABINET



**CAUTION:
ELECTRIC SHOCK
HAZARD**

Disconnect appliance from electric power before cleaning.



**CAUTION:
HOT SURFACE**

Exposed surfaces can be hot to the touch and may cause burns. Allow appliance to cool before cleaning.



IMPORTANT:

DO NOT spill or pour water into controls, control panel or wiring.



CAUTION:

Beware of sharp edges with sheet metal during cleaning process.

1. After all food products have been removed from the cabinet, turn the power switch to "OFF" and allow the cabinet to cool.
2. Unplug the unit prior to any cleaning.
3. Remove the side heat duct and rack assemblies. Clean the inside of the unit as well as the removed parts. Reinstall when all parts are dry and clean.
4. Inspect and clean the areas where there are vents or filters, making sure no water gets into the internal controls or electrical areas of the cabinet.
5. Plastic control panel should be washed with a clean damp cloth and chlorine-free detergent. Rinse thoroughly with clean damp cloth and allow to dry. Do not use abrasive cleaners, waxes, car polish, or substances containing strong aromatic solvents or alcohol.



CAUTION:

Cleansers, detergents, degreasers, sanitizers, or bleaching agents that contain chlorides or phosphates will cause permanent damage to stainless steel products. The damage appears as pits, eruptions, voids, small holes, severe discoloration or dulling of the metal finish.

Water with high chloride content can also damage stainless steel. If unsure of your water quality, we recommend you have it tested. THIS DAMAGE IS PERMANENT, COSTLY TO REPAIR, AND IS NOT COVERED BY THE WARRANTY.

RECOMMENDED TIPS FOR CLEANING STAINLESS STEEL

<u>Purpose</u>	<u>Frequency</u>	<u>Cleaning Agent</u>	<u>Method of Application</u>
Routine	Daily	Soap, ammonia	Sponge with cloth, rinse with clear water cleaning detergent and water and wipe dry.
Smears/ Fingerprints	As needed	Stainless steel cleaner or similar products Do not use on vinyl trim.	Rub with soft cloth as directed on package. Rub in direction of grain of stainless steel.
Stubborn spots and stains	Daily as needed	Any chloride-free or phosphate-free cleaner	Apply with damp sponge or cloth. Rub in direction of grain of stainless steel. Rinse thoroughly, especially if cleaner contains chlorine bleach, do not use on vinyl trim.
Hard water spots	Daily as needed	Vinegar	Swab with cloth. Rinse with water and wipe dry.

DAILY CLEANING PROCEDURES—DRAWER WARMER



**CAUTION:
ELECTRIC SHOCK
HAZARD**

Disconnect appliance from electric power before cleaning.



**CAUTION:
HOT SURFACE**

Exposed surfaces can be hot to the touch and may cause burns. Allow appliance to cool before cleaning.



IMPORTANT:

DO NOT spill or pour water into controls, control panel or wiring. Water damage is **not** covered by warranty.



CAUTION:

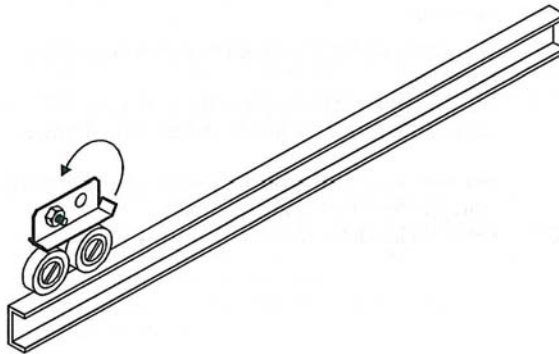
Beware of sharp edges with sheet metal during cleaning process.

PRECAUTIONS: Turn control knob to OFF.
Allow drawers to cool before proceeding.
Remove drawer pans.

FREQUENCY: Minimum—Daily

TOOLS: Warm water and mild detergent
Clean cloth or sponge

1. Remove drawers from warmer:
 - A. Pull warmer drawer out until fully extended
 - B. Slide finger along left and right slide rail until you reach the latches (located at the front end of the cabinet-mounted rails). Press down on both left and right latch.
 - C. Pull drawer away from warmer.



2. Clean drawers, drawer pans, Humitrol racks and/or insets with warm water and mild detergent. Rinse all components thoroughly with clear water. Dry all components prior to reinstalling them in warmer.
3. Sweep crumbs and other debris from warmer cavity.
4. Clean the outside of the unit by wiping with a clean cloth or sponge, warm water and mild detergent. Dry with a clean cloth, then wipe with a polish formulated for stainless steel.
5. It is important to keep the slide rails clear and free of debris. Periodic cleaning of the slide rails and other adjoining parts is necessary to assure smooth drawer operation.
6. Check drawer rollers. Be sure they roll freely and that the slide rails are free from debris.
7. Be sure cabinet-mounted drawer catch roller is “up”, then reinstall drawers.

CABINET MAINTENANCE



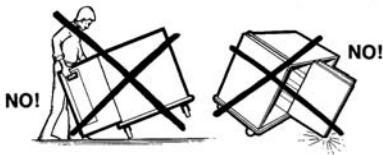
WARNING:

DO NOT perform these procedures while the cabinet is turned on or heated. Turn off the power and wait for the cabinet to cool to room temperature.



CAUTION:

Do not move cabinet unless door is securely closed. Serious damage to hinges and door may result if bumped into tables, walls, or other equipment when the doors are open.



CASTERS

Caster bearings may be equipped with Zerk grease fittings so that they may be easily lubricated with a grease gun. Lubricate bearings at least once every six months.

REPLACING THE DOOR GASKET

1. Remove the screws located under the gasket on the cabinet.
2. Remove the gasket and discard.
3. Install the new gasket and replace the screws.

REVERSING THE DOOR

Reversing the door takes about 30 minutes & requires two people.

1. Using a small screwdriver, pry off the hinge covers and set aside. Removing the covers will allow access to the inside hinge screws. Remove the three screws that hold each hinge to the cabinet. **DO NOT REMOVE THE SCREWS THAT HOLD THE HINGES TO THE DOOR.** Remove the door, taking care not to let it fall.
2. Remove the door strike plate and screws adjacent to the door opening on the cabinet. Reinstall door strike plate and screws on opposite side of the cabinet.
3. Screw hinges onto opposite side of the door.
4. With the help of another person, hold door up to the cabinet and attach with the screws removed in step one. Before tightening the screws, be sure the door is flush, level and square. Replace the hinge covers.

DRAWER WARMER MAINTENANCE



WARNING:

DO NOT perform these procedures while the cabinet is turned on or heated. Turn off the power and wait for the cabinet to cool to room temperature.

ELECTRIC SHOCK HAZARD

Disconnect appliance from electric power before cleaning.



CAUTION: HOT SURFACE

Exposed surfaces can be hot to the touch and may cause burns. Allow appliance to cool before cleaning.

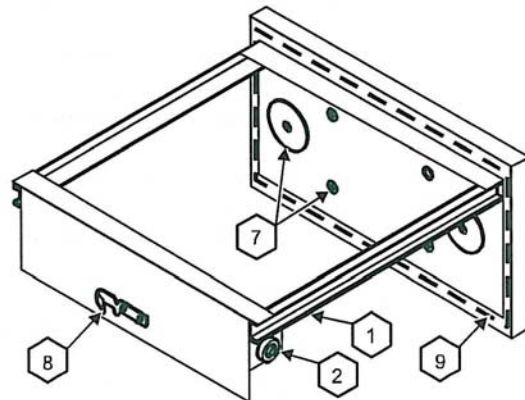
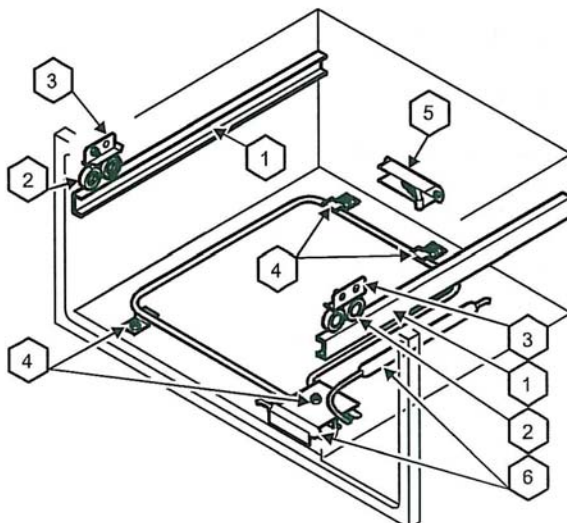
ADJUSTMENTS AND LUBRICATION

PRECAUTIONS: Turn control knob to OFF.
Allow drawers to cool before proceeding.
Remove drawer pans.

FREQUENCY: Minimum—monthly.
Every 2 weeks recommended

TOOLS: Screwdrivers, Phillips (+) and flat blade (-)
Nut drivers, 3/8" and 7/16"
Food-grade lubricant

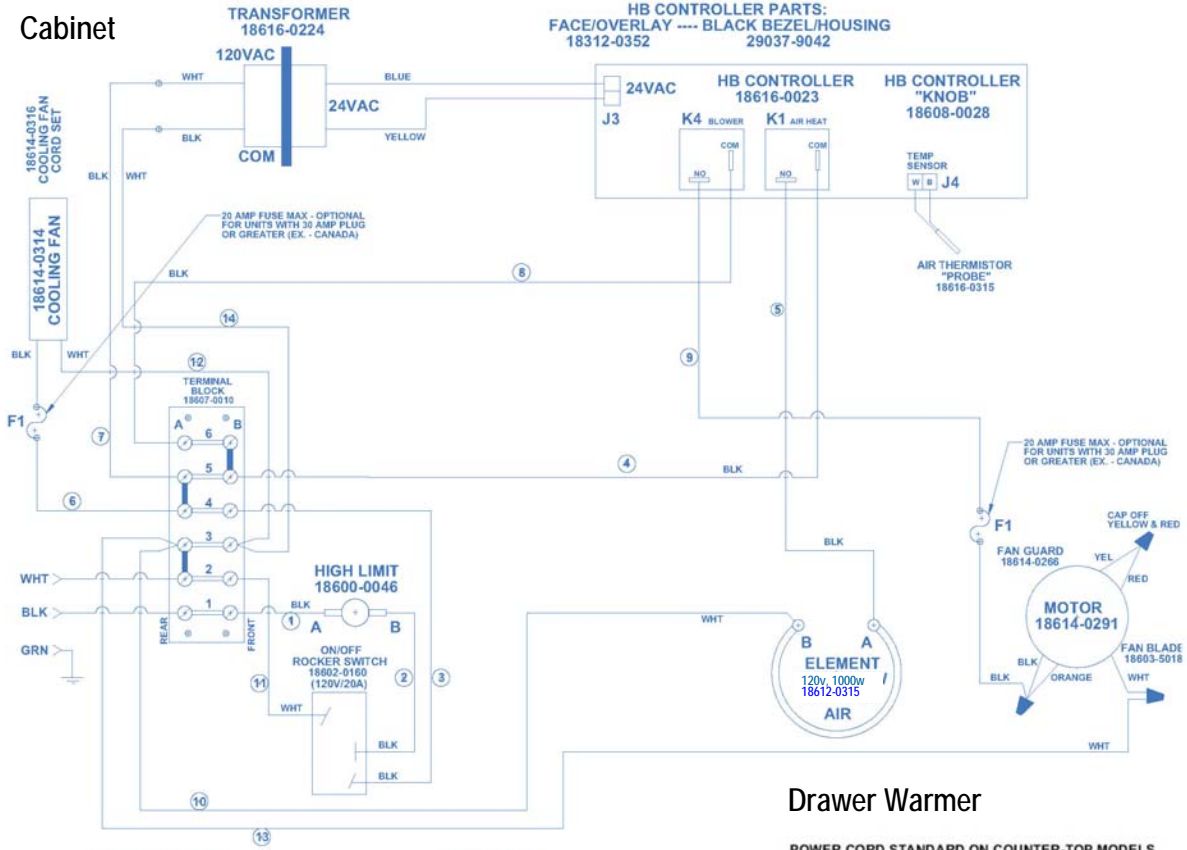
1. Check slides on cabinet and drawers for cleanliness.
2. Check all rollers on cabinet and drawers for cleanliness and tightness. Lubricate.
3. Check cabinet drawer stops for operation. Non-spring stops must rotate freely. Spring-type stops must snap down positively. Clean and adjust as required.
4. Check cabinet heating element fasteners for tightness.
5. Check all cabinet drawer catches for tightness and operation. Lubricate. Be certain roller is "out" before attempting to install drawer.
6. Check cabinet thermobulbs for condition. Thermobulbs must be securely mounted in the appropriate holder. Arrange repairs for damaged thermobulbs.
7. Check drawer faceplate and handle fasteners for tightness.
8. Check drawer catch clip for tightness.
9. For drawers equipped with gaskets, examine condition of gasket. Arrange repairs for torn or damaged gaskets.
10. Reinstall drawers and check for proper operation.



WIRING DIAGRAM

HL8 SERIES WITH DIGITAL CONTROL & DRAWER WARMER 120 VOLT, 1900 WATT, 16 AMP, 1 PH

Cabinet

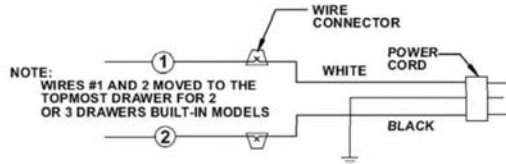


11'FT OF 12/3 SO POWER CORD 18605-5020

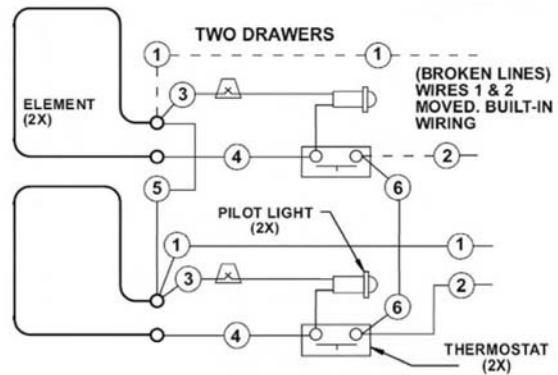
NEMA 5-20P ANGLED PLUG 18606-0221

Drawer Warmer

POWER CORD STANDARD ON COUNTER-TOP MODELS
POWER CORD OPTIONAL ON BUILT-IN MODELS



Note: Drawer warmer and cabinet joined in box and wired to main power of the cabinet, creating independent circuit/ power supply.



PARTS LIST—DRAWER WARMER

Part Number	Description	Part Number	Description
18612-0146	120v/450w Drawer Warmer Element	18601-1151	Pilot Light—Drawer Warmer
18600-0024	Thermostat—Drawer Warmer	18608-0032	Knob-Drawer Warmer

PARTS LIST—HOLDING CABINET

Part Number	Description	Part Number	Description
17040-2214	Door gasket	18612-0315	120v, 1000w element (air)
18614-0291	Motor	18602-0160	Rocker switch
18616-0023	Controller	18603-5018	Motor fan blade
18616-0224	24v output transformer	16006-0534	Glass door assembly
29038-4128	Glass door only	18302-0050	Door latch
18304-0030	Door hinges	18614-0314	Cooling Fan
18600-0046	High Limit	18608-0028	Controller Knob
18312-0352	Face Overlay	29037-9042	Black bezel housing
18605-5020	12/3 SO power cord	18606-0221	NEMA 5-20P angled plug

This list is not a complete list of spare parts. Contact Carter-Hoffmann technical service at 800-323-9793 if you do not see the part number you are looking for.

NOTE:

The technical content of this manual, including any wiring diagrams, schematics, parts breakdown illustrations and / or adjustment procedures, is **intended for use ONLY by qualified technical personnel.**

NOTE:

For warranty service, call Carter-Hoffmann direct at 800-323-9793 for authorization, we will dispatch the nearest authorized service agency.

TROUBLESHOOTING GUIDE

SYMPTOM	POSSIBLE CAUSE	SUGGESTED REMEDY
No power on display	Not plugged in or circuit breaker tripped	Check or reset circuit breaker Connect to proper receptacle
	Power cord damaged	Check - replace if required
	Power switch damaged or defective	Check - replace if required
Food dries out too quickly in cabinet	Operation where product temp is too high or food should be covered	Check product temps going into holding cabinet; cover food pans
	Control incorrectly set or defective	Check proper operation or calibration of control
Unit is on, cabinet motors are running but no heat	Internal wiring error	Call service technician
	Element hi-limit trip / defective	Call service technician
Cabinet takes too long to get to temperature	Improper voltage	Call service technician to verify incoming voltage matches cabinet specifications.
Cabinet is hot but low or no airflow	Internal wiring error	Call service technician
	Circulation motor has quit	Call service technician
	Improper voltage	Call service technician to verify incoming voltage matches cabinet specifications.
No lights or heat on drawers	Internal damage	Call service technician
No heat (one drawer)	Temperature control not set	Set for desired temperature
	Internal damage	Call service technician
Food dries out in drawer warmer	Humidity control (air vent) not set	OPEN air vent for dry operation. CLOSE air vent for moist operation.
	Water in pan evaporated or low	Add water to pan
Food gets soggy in drawer warmer	Food contacting water	Use a Humitrol rack
	Water level too high	Water should be no more than 1/2" deep
	Humidity control (air vent) not set	OPEN air vent for dry operation. CLOSE air vent for moist operation.
Drawer falls open	Catch roller not extended before closing drawer	Be sure catch roller is extended before installing drawer
	Drawer catch damaged	Call service technician
Drawer falls out when opened	Drawer stop dirty	Clean and lubricate drawer stop
	Drawer stop damaged	Call service technician

3-YEAR WARRANTY on HOTLOGIX HOLDING CABINETS

Carter-Hoffmann Warranty:

Carter-Hoffmann ("CARTER-HOFFMANN") warrants to the initial purchaser of its standard Carter Line Products that CARTER-HOFFMANN will, at its option, repair or replace, during the warranty period set forth below, any part of such products made necessary due to a defect in material or workmanship which is present when the product leaves its factory and which manifests itself during the warranty period under normal use and service.

*This warranty applies only to original equipment owned and possessed by the initial purchaser and the warranty period begins on the date of original shipment from the CARTER-HOFFMANN factory and extends as follows: **to component parts and labor for 12 months (36 months on hotLOGIX, LOGIX3 through LOGIX10 holding cabinets and cook & hold cabinets); to refrigeration compressor unit for one year** (limited to replacement only - not to include labor for removal, repair or replacement).*

Repair or replacements under this warranty will be performed, unless otherwise authorized in writing by CARTER-HOFFMANN, at its factory. All parts or components to be repaired or replaced under this warranty are to be shipped prepaid to CARTER-HOFFMANN, with reimbursement credit for such part or component to be given if found by CARTER-HOFFMANN to be defective.

CARTER-HOFFMANN neither makes nor assumes and does not authorize any other person to make or assume any obligation or liability in connection with its products other than that covered in this warranty. This warranty applies only within the continental United States and Canada. In Alaska and Hawaii, this warranty applies only to and is limited to the supply of replacement parts.

Warranty Exclusions and Limitations:

Any implied warranty of merchantability or fitness for a particular purpose is hereby specifically disclaimed by CARTER-HOFFMANN. There are no warranties, expressed or implied, which extend beyond the description on the face hereof. This warranty does not cover and CARTER-HOFFMANN shall not under any circumstances be liable for any incidental, consequential or other damages (such as injury to persons or property, loss of time, inconvenience, loss of business or profits, or other matters not specifically covered) arising in connection with the use of, inability to use, or failure of these products.

Specifications subject to change through product improvement and innovation.

Carter-Hoffmann

1551 McCormick Ave.

Mundelein, Illinois, 60060 USA

Phone: 847-362-5500 Toll free: 800-323-9793 Fax: 847-367-8981

Sales and Marketing E-mail: sales@carter-hoffmann.com

Service E-mail: technicalservice@carter-hoffmann.com

Company Website: www.carter-hoffmann.com

CFESA

Proud Member

NAFEM
North American Association of
Food Equipment Manufacturers