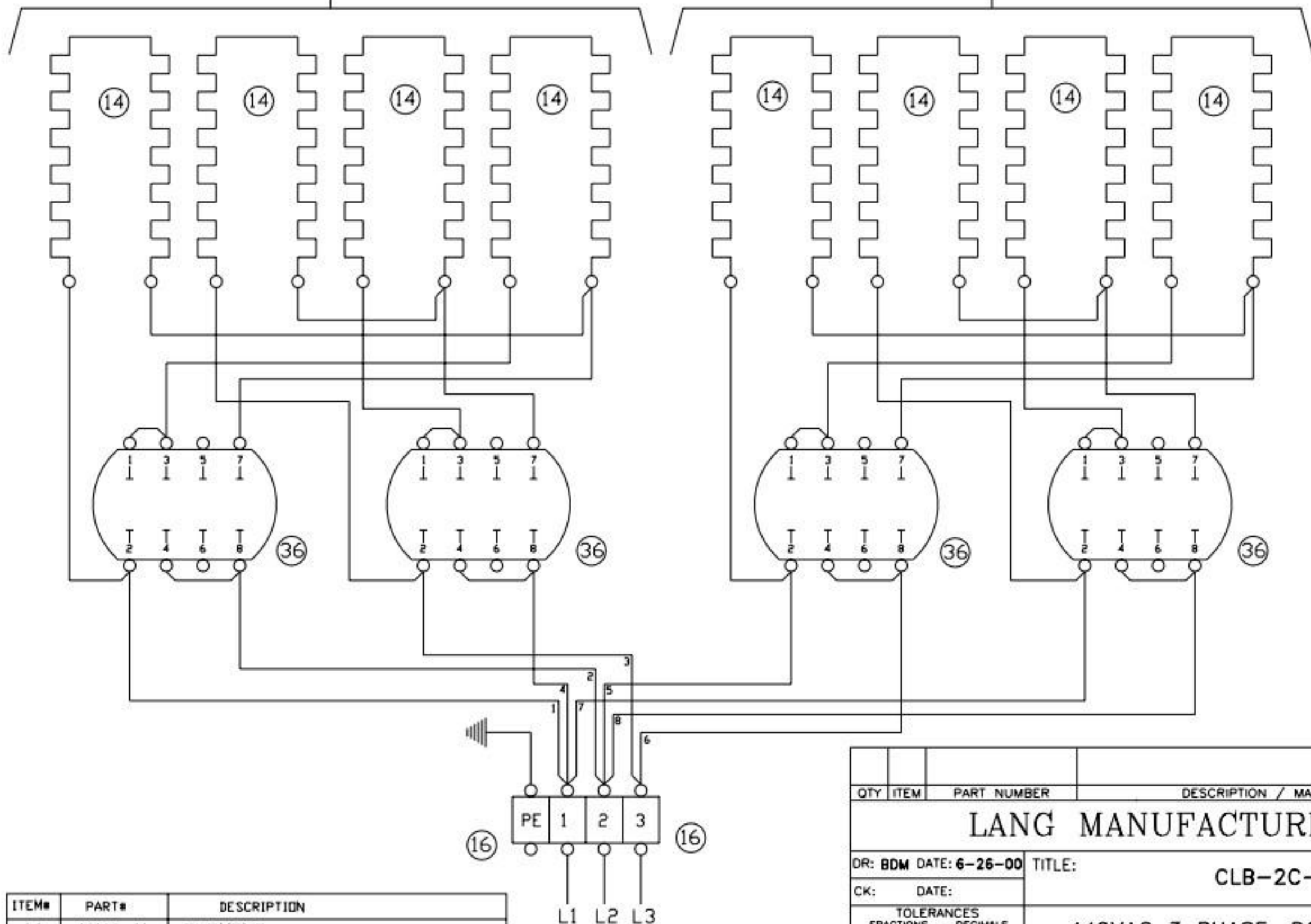


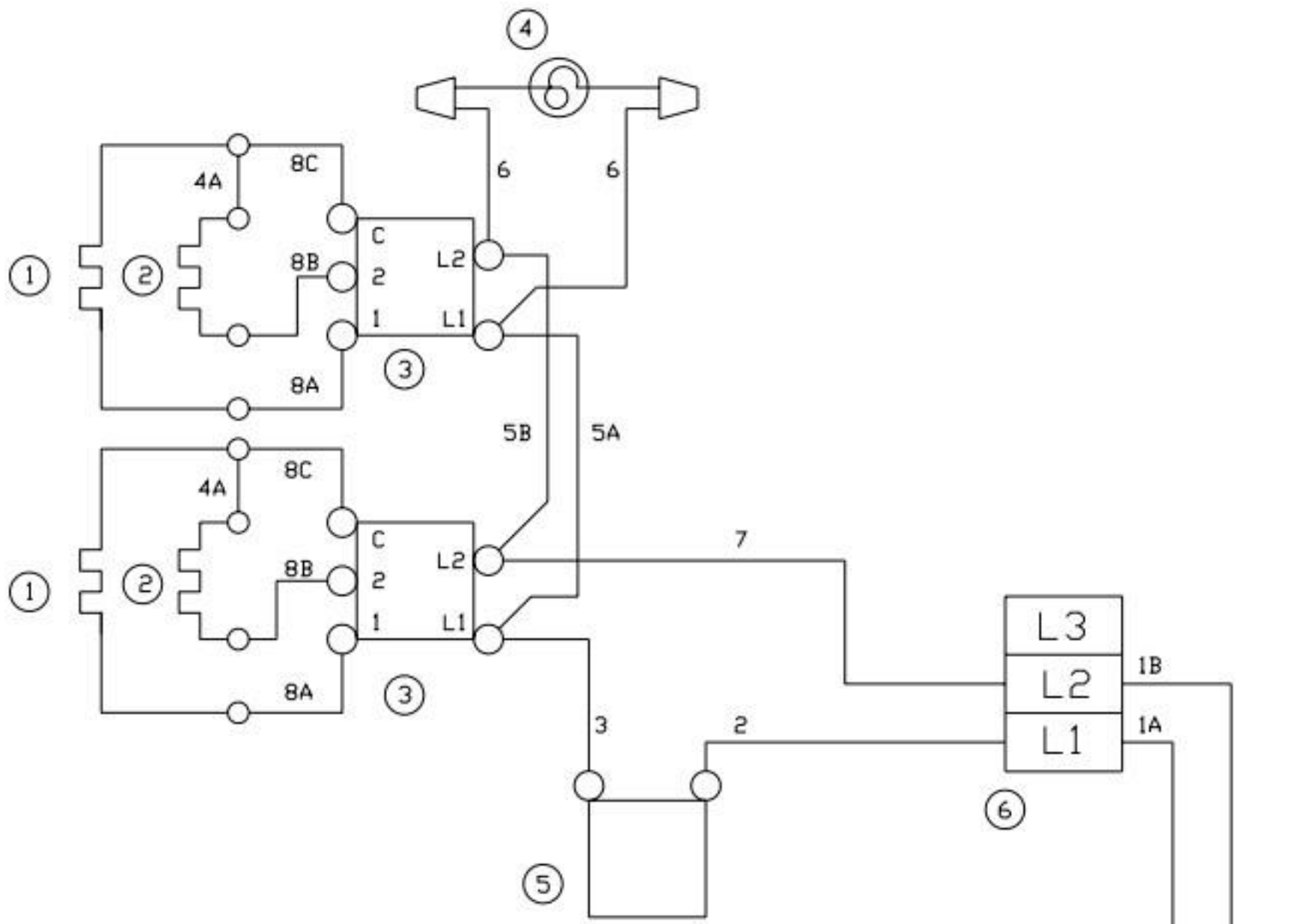
BOTTOM DECK

TOP DECK



ITEM#	PART#	DESCRIPTION
14	11100-11	ELEMENT

QTY	ITEM	PART NUMBER	DESCRIPTION / MATERIAL
LANG MANUFACTURING			
DR: BDM DATE: 6-26-00		TITLE: CLB-2C-S	
CK: DATE:			
TOLERANCES FRACTIONS DECIMALS		110VAC 3 PHASE DOUBLE P	



ITEM#	PART#	DESCRIPTION
1	11050-29	ELEMENT INSIDE LOOP
2	11050-29	ELEMENT OUTSIDE LOOP
3	30304-06	3 HEAT SWITCH
4	31601-02	INDICATOR LAMP
5	30402-07	550 DEGREE THERMOSTAT
6	31800-04	CIRCUIT BREAKER

MAIN TERMINAL BLOCK