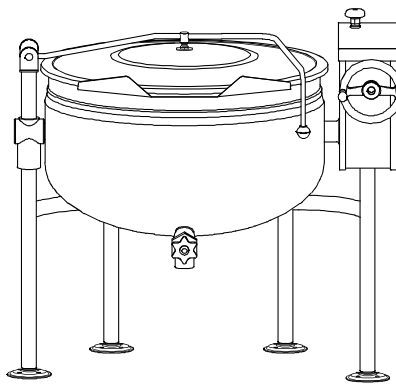




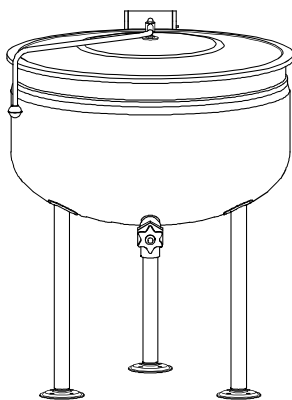
**IMPORTANT FOR FUTURE REFERENCE**  
Please complete this information and retain this manual for the life of the equipment:

Model #: \_\_\_\_\_  
Serial #: \_\_\_\_\_  
Date Purchased: \_\_\_\_\_

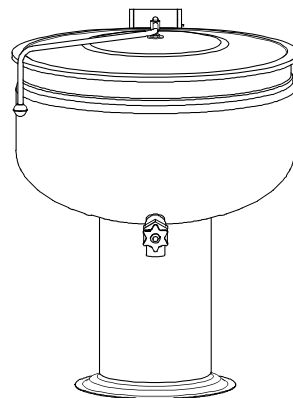
**PARTS LIST**  
**Full Jacket Direct Steam Kettles**  
**DL-20F DL-30F DL-40F DL-60F**  
**DP-20F DP-30F DP-40F DP-60F**  
**DLT-20F DLT-30F DLT-40F DLT-60F**



**DLT-F**



**DL-F**



**DP-F**

**⚠ WARNING**

Improper installation, adjustment, alteration, service or maintenance can cause property damage, injury or death. Read the installation, operating and maintenance instructions thoroughly before installing or servicing this equipment.

**CROWN FOOD SERVICE EQUIPMENT**

 A Middleby Company

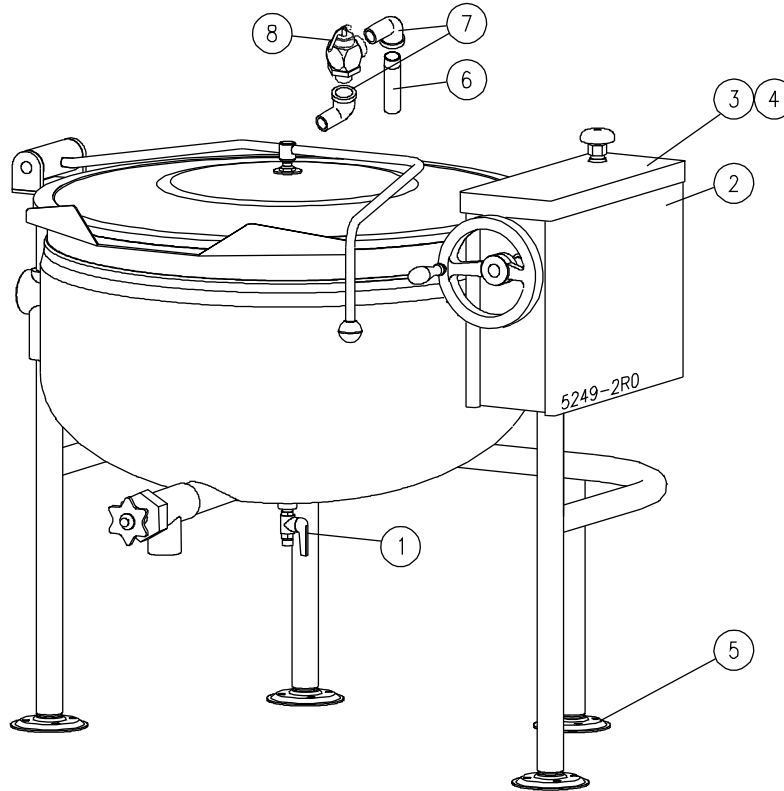
70 Oakdale Road, Downsview (Toronto) Ontario, Canada, M3N 1V9  
Telephone: 919-762-1000 [www.crownsteamgroup.com](http://www.crownsteamgroup.com)

Printed in Canada



PARTS LIST, FULL JACKET DIRECT STEAM STATIONARY KETTLES,  
 MODELS: DL-20F TO 60F, DP-20F TO 60F, DLT-20F TO 60F

**FIGURE 1**



<u>ITEM</u>	<u>PART NUMBER</u>	<u>DESCRIPTION</u>	<u>QUANTITY</u>
1.	9189-1	Ball Valve	1
2.	2960-2	Tilt Console	1
3.	3011-1	Console Cover	1
4.	M33S-1032-12	Screw 10 32 x 1/2	1
5.	3223-1	Adjustable Foot	3
6.	5184-1	Down Tube for Relief Valve	1
7.	9012-4P	Street Elbow, 3/4 NPT	2
**	8. 3-SRV8-1	Relief Valve, 35 PSI	1
	3-SRV9-1	Relief Valve, 50 PSI (Optional)	1

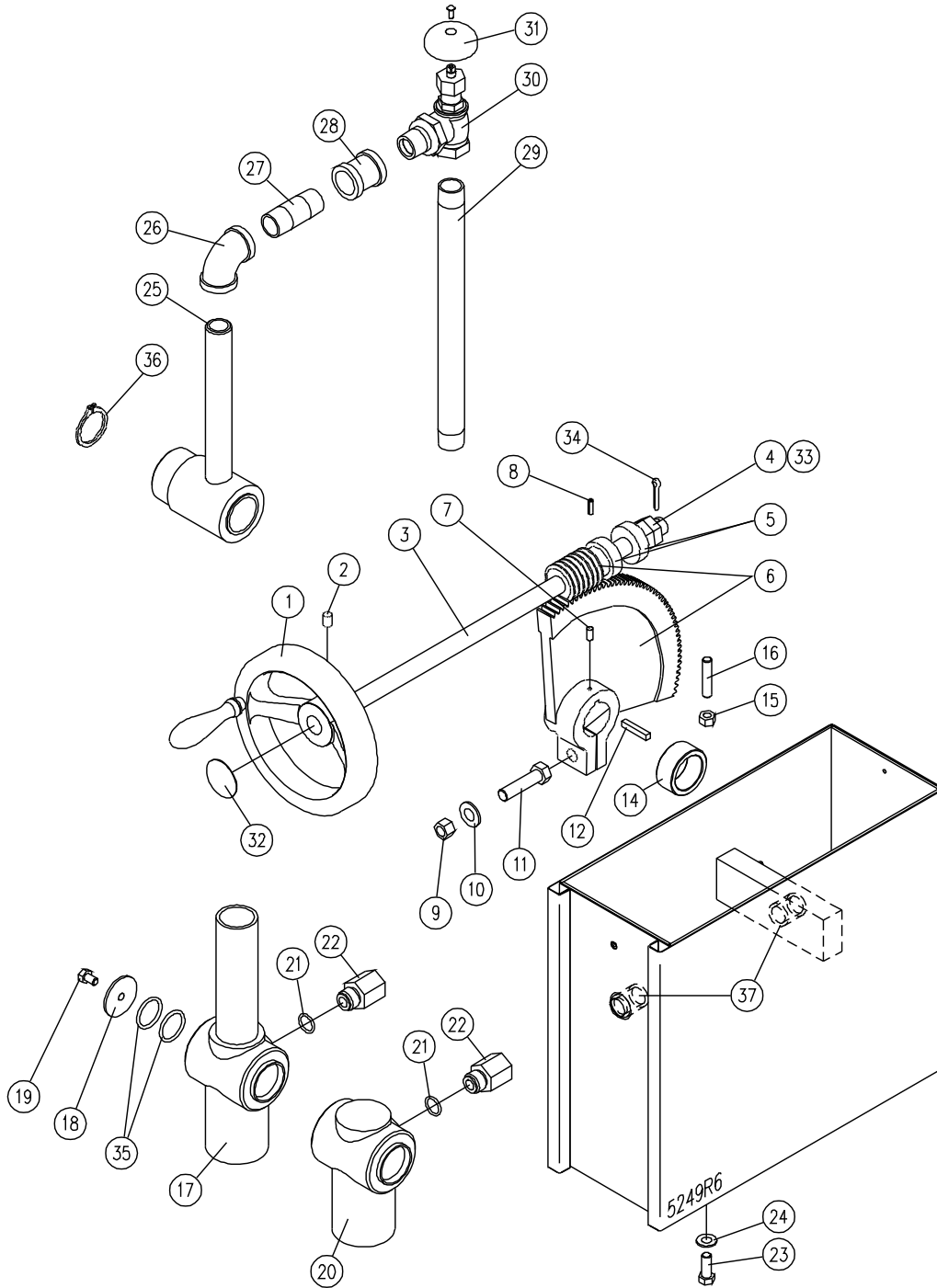
\* NOT SHOWN.

\*\* SELECT AS REQUIRED.

PARTS LIST, FULL JACKET DIRECT STEAM STATIONARY KETTLES,  
MODELS: DL-20F TO 60F, DP-20F TO 60F, DLT-20F TO 60F

**TILT CONSOLE PARTS**

**FIGURE 2**



PARTS LIST, FULL JACKET DIRECT STEAM STATIONARY KETTLES,  
 MODELS: DL-20F TO 60F, DP-20F TO 60F, DLT-20F TO 60F

**FIGURE 2**

<u>ITEM</u>	<u>PART NUMBER</u>	<u>DESCRIPTION</u>	<u>QUANTITY</u>
1.	8-2054	Handwheel	1
2.	9061-5	Set Screw	1
3.	6738-2	Tilt Shaft	1
4.	9029-22	Jam Nut, 3/4 - 16 UNF	2
5.	5327-1	Thrust Bearing	2
6.	5393-1	Segment Gear and Worm Gear Kit (Includes Items 7 to 12)	1
7.	9061-4	Set Screw, 1/4 - 20 x 1/2"	1
8.	9032-7	Tension Pin	1
9.	9029-5	Hex Nut, 1/2 - 13 UNC	1
10.	S01X-12	Lock Washer, 1/2"	1
11.	9302-5	Hex Cap Screw	1
12.	6321-1	Square Key	1
* 13.	9085-1	"O" Ring Lubrication	1
14.	4312-1	Spacer	1
15.	9029-3	Hex Nut, 3/8 - 16 UNC	1
16.	9061-6	Set Screw	1
17.	8-2085DE	Outbore Bearing Complete With Extension. Used on Spring Assist Cover only. Specify model.	1
18.	9-3197	Stainless Steel Washer	1
19.	M50S-51618-12	Hex HD Screw	1
20.	8-2085D	Outbore Bearing	1
21.	2-113R	"O" Ring	1
22.	9-3196	Brass Fitting	1

PARTS LIST, FULL JACKET DIRECT STEAM STATIONARY KETTLES,  
 MODELS: DL-20F TO 60F, DP-20F TO 60F, DLT-20F TO 60F

**FIGURE 2**

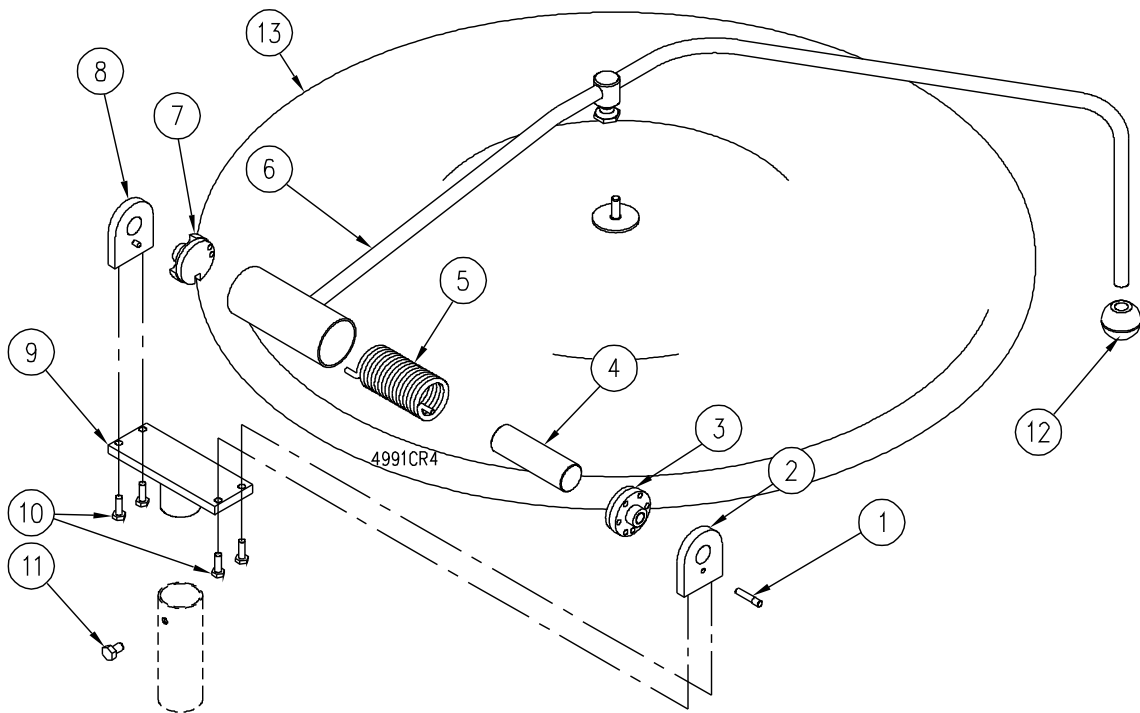
<b><u>ITEM</u></b>	<b><u>PART NUMBER</u></b>	<b><u>DESCRIPTION</u></b>	<b><u>QUANTITY</u></b>
23.	M50X-3816-1	Hex HD Screw	4
24.	S01X-38	Lock Washer	4
25.	8-2086	Block Bearing	1
26.	9011-4	90° Elbow, 3/4"	1
27.	9010-024	Nipple, 3/4 x 2-1/2" L.	1
28.	9042-4	Coupling, 3/4"	1
29.	9010-124	Pipe, Steam Supply, 3/4 x 12-1/2" L.	1
30.	3-SCE6	Control Valve, 3/4"	1
31.	3-SC06	Control Valve Knob	1
32.	5341-1	Decal - Tilt	1
33.	5328-1	Washer, 3/4 ID x 1-1/4 OD	1
34.	5329-1	Cotter Pin, S.S., 3/16 x 1" L.	1
35.	2-218R	"O" Ring	4
36.	1-R315	Retaining Ring	1
37.	3466-1	Bearing, Tilt Shaft	2

\* NOT SHOWN

PARTS LIST, FULL JACKET DIRECT STEAM STATIONARY KETTLES,  
MODELS: DL-20F TO 60F, DP-20F TO 60F, DLT-20F TO 60F

**SPRING ASSIST HINGE ASSEMBLY**

**FIGURE 3**



PARTS LIST, FULL JACKET DIRECT STEAM STATIONARY KETTLES,  
 MODELS: DL-20F TO 60F, DP-20F TO 60F, DLT-20F TO 60F

**FROM FIGURE 3**

<u>ITEM</u>	<u>PART NUMBER</u>	<u>DESCRIPTION</u>	<u>QUANTITY</u>
	9-3185	HINGE ASSEMBLY	
1.	8-2029	Lock Pin	1
2.	8-2035L	End Lock Plate	1
3.	5428-1	Stationary Disc	1
	5430-1	Core	1
5.	8-2026	Spring	1
** 6.	4990-17	DL-20F, DP-20F, Handle Assembly, 20 Gallon Kettle	1
	4990-18	DLT-20F, Handle Assembly, 20 Gallon Kettle	1
	4990-19	DL-30F, DP-30F, Handle Assembly, 30 Gallon Kettle	1
	4990-20	DLT-30F, Handle Assembly, 30 Gallon Kettle	1
	4990-21	DL-40F, DP-40F, Handle Assembly, 40 Gallon Kettle	1
	4990-22	DLT-40F, Handle Assembly, 40 Gallon Kettle	1
	4990-23	DL-60F, DP-60F Handle Assembly, 60 Gallon Kettle	1
	4990-24	DLT-60F Handle Assembly, 60 Gallon Kettle	1
7.	5429-1	Rotary Disc	1
8.	8-2021	End Stop Plate	1
9.	4261-2	Mounting Plate - DLT Only	1
10.	M50S-1420-34	Hex HD Screw, 1/4 - 20 x 3/4 Stainless Steel	4
11.	M50S-51618-12	Hex HD Screw	1

PARTS LIST, FULL JACKET DIRECT STEAM STATIONARY KETTLES,  
MODELS: DL-20F TO 60F, DP-20F TO 60F, DLT-20F TO 60F

<u>ITEM</u>	<u>PART NUMBER</u>	<u>DESCRIPTION</u>	<u>QUANTITY</u>
12.	2-KB01	Knob	1
** 13.	8-2005	Cover, 20 Gallon Kettle	1
	8-2006	Cover, 30 Gallon Kettle	1
	8-2007	Cover, 40 Gallon Kettle	1
	8-2008	Cover, 60 Gallon Kettle	1

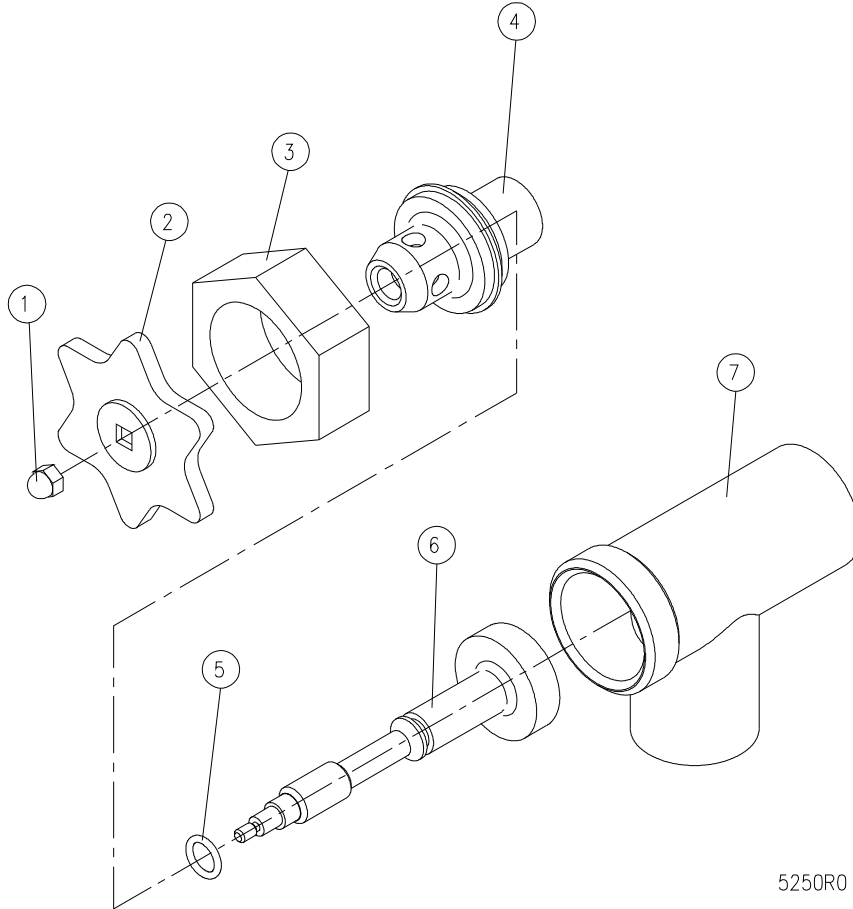
\*\* SELECT AS REQUIRED.



PARTS LIST, FULL JACKET DIRECT STEAM STATIONARY KETTLES,  
 MODELS: DL-20F TO 60F, DP-20F TO 60F, DLT-20F TO 60F

**DRAW-OFF VALVE**

**FIGURE 4**



<u>ITEM</u>	<u>PART NUMBER</u>	<u>DESCRIPTION</u>	<u>QUANTITY</u>
	3-D015	1-1/2" DRAW OFF VALVE ASSEMBLY	
1.	9031-3	Acorn Nut, 10-24 UNC	1
2.	4115-1	Handle, Stainless Steel	1
3.	3-DV13	Gland Nut	1
4.	3-DV14	Bonnet	1
5.	3-DV16	"O" Ring	1
6.	3-DV15RV	Stem Assembly	1
7.	3-DV17	Valve Body	1

PARTS LIST, FULL JACKET DIRECT STEAM STATIONARY KETTLES,  
 MODELS: DL-20F TO 60F, DP-20F TO 60F, DLT-20F TO 60F

<u>ITEM</u>	<u>PART NUMBER</u>	<u>DESCRIPTION</u>	<u>QUANTITY</u>
	3-D020	2" DRAW OFF VALVE ASSEMBLY	
1.	9031-3	Acorn Nut, 10-24 UNC	1
2.	4115-1	Handle, Stainless Steel	1
3.	3-DV23	Gland Nut	1
4.	3-DV24	Bonnet	1
5.	3-DV26	"O" Ring	1
6.	3-DV25RV	Stem Assembly	1
7.	3-DV27	Valve Body	1

<u>ITEM</u>	<u>PART NUMBER</u>	<u>DESCRIPTION</u>	<u>QUANTITY</u>
	3-D030	3" DRAW OFF VALVE ASSEMBLY	
1.	3-DV31	Acorn Nut, 7/16-14 UNC	1
2.	3-DV32	Handle, Stainless Steel	1
3.	3-DV33	Gland Nut	1
4.	3-DV34	Bonnet	1
5.	3-DV36	"O" Ring	1
6.	3-DV35RV	Stem Assembly	1
7.	3-DV37	Valve Body	1