

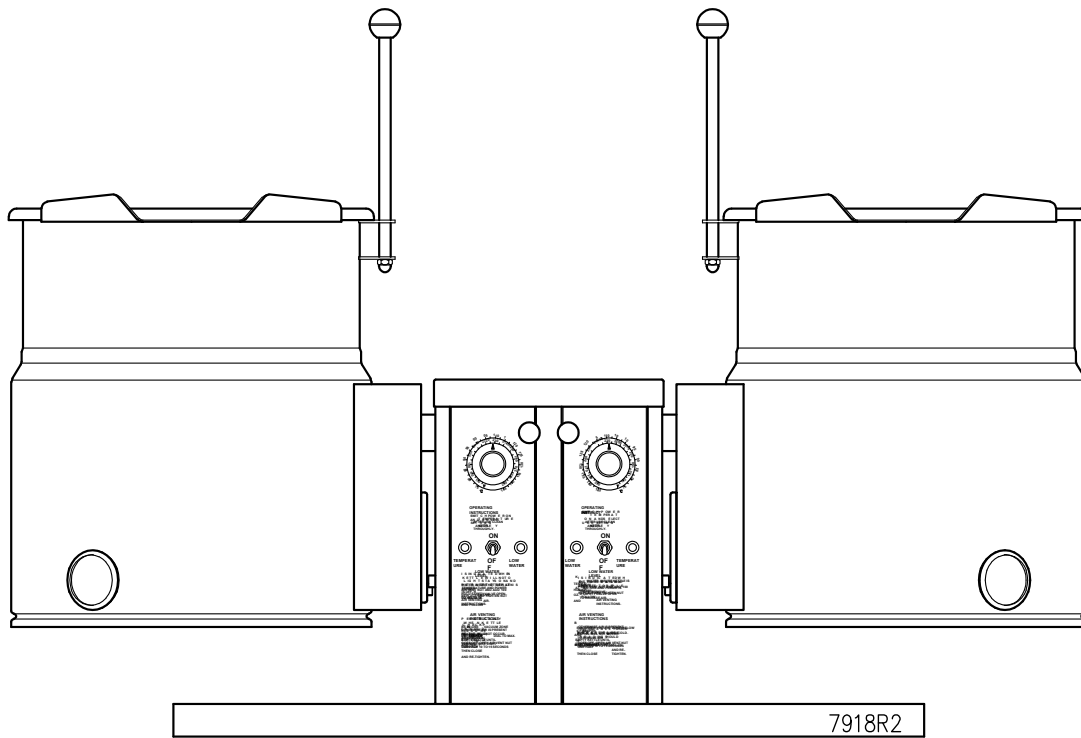


IMPORTANT FOR FUTURE REFERENCE
 Please complete this information and retain this manual for the life of the equipment:

Model #: _____
 Serial #: _____
 Date Purchased: _____

PARTS LIST


GYZ; YbYfUj]b['GhYUa '>UW_YhYX'7 ci bhYf'Hj]h]b['? YhYg'
 97 '!* HK !&'97 '!%\$HK !&'97 '!%&HK !&



⚠ WARNING

Improper installation, adjustment, alteration, service or maintenance can cause property damage, injury or death. Read the installation, operating and maintenance instructions thoroughly before installing or servicing this equipment.

CROWN FOOD SERVICE EQUIPMENT

 A Middleby Company

70 Oakdale Road, Downsview (Toronto) Ontario, Canada, M3N 1V9
 Telephone: 919-762-1000 www.crownsteamgroup.com

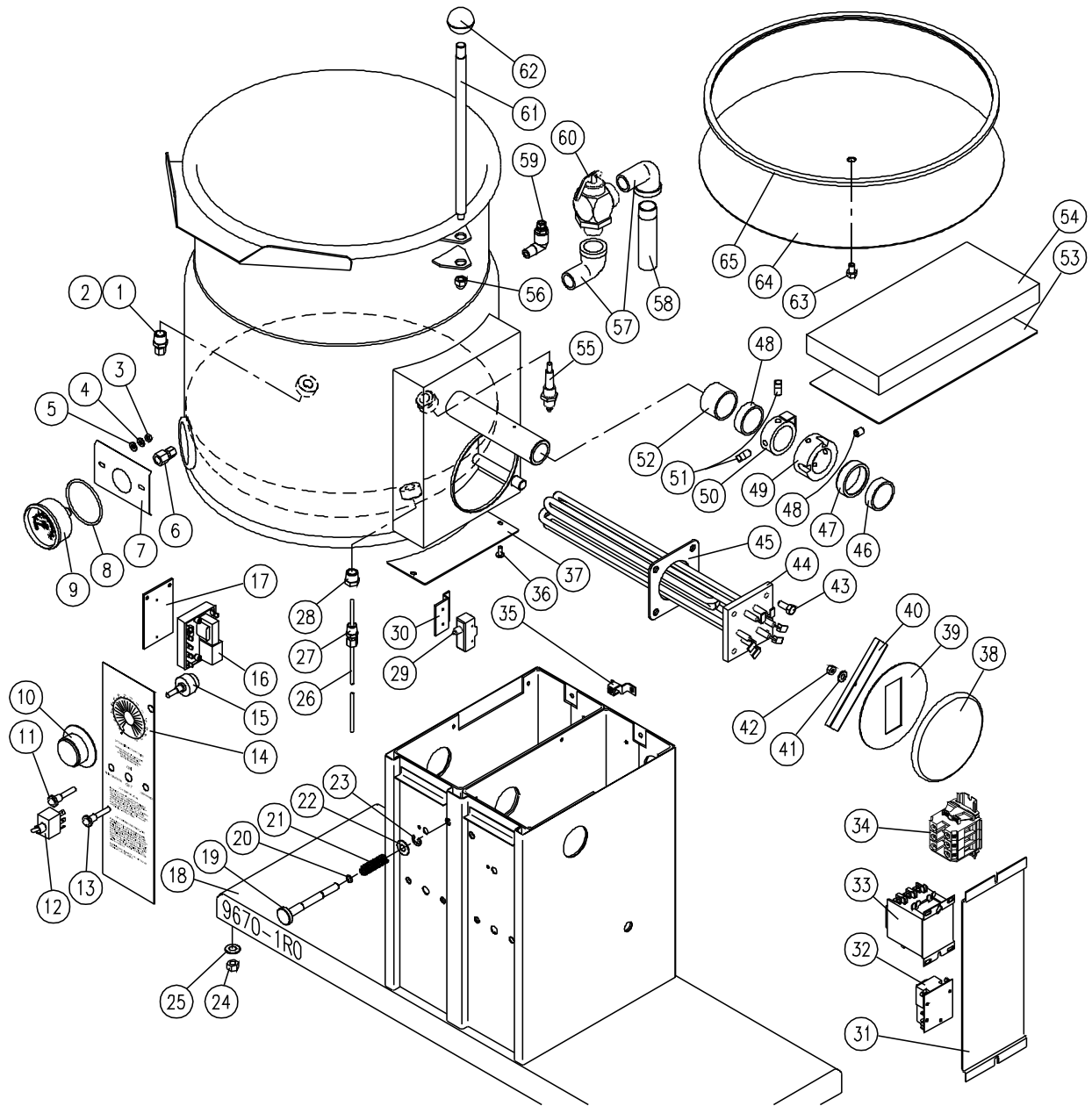
Printed in Canada



PARTS LIST, SELF-GENERATING STEAM JACKETED COUNTER TILTING KETTLES,
EC-6TW-2, EC-10TW-2, EC-12TW-2

FIGURE 1

LEFT SIDE KETTLE



PARTS LIST, SELF-GENERATING STEAM JACKETED COUNTER TILTING KETTLES,
EC-6TW-2, EC-10TW-2, EC-12TW-2

FIGURE 1

<u>ITEM</u>	<u>PART NO.</u>	<u>DESCRIPTION</u>	<u>6 GAL. QTY.</u>	<u>10 & 12 GAL. QTY.</u>
1.	3-684C	Connector, Brass	1	1
**	2.	8-3149		1
		8-3148	1	
3.	9029-32	Hex Nut	2	2
4.	F01X-10	Flat Washer	2	2
5.	S01X-10	Split Lock Washer	2	2
6.	3-664B	Connector, Brass	1	1
7.	3407-1	Pressure Gauge Plate	1	1
8.	2-230R	O-Ring	1	1
9.	4967-1	Pressure Gauge	1	1
10.	4-TD02	Skirted Knob	1	1
11.	4661-4	Pilot Light, Red, Temperature	1	1
12.	9110-1	Toggle Switch	1	1
13.	4661-5	Pilot Light, Amber, Low Water	1	1
**	14.	7010-2	1	
		6477-2		1
15.	5517-1	Potentiometer c/w Wires & Push on Terminals	1	1
16.	4174-1	Temperature Control	1	1
17.	4620-1	Mounting Plate	1	1
18.	8405-1	Base Sub-Assembly	1	1
19.	4608-1	Locking Pin Sub-Assembly	1	1
20.	2-011R	O-Ring	1	1

PARTS LIST, SELF-GENERATING STEAM JACKETED COUNTER TILTING KETTLES,
EC-6TW-2, EC-10TW-2, EC-12TW-2

FIGURE 1

<u>ITEM</u>	<u>PART NO.</u>	<u>DESCRIPTION</u>	<u>6 GAL. QTY.</u>	<u>10 & 12 GAL. QTY.</u>	
21.	4623-1	Compression Spring	1	1	
22.	1-W3S7	Flat Washer	2	2	
23.	1-XR33	External Retaining Ring	1	1	
24.	9029-3	Hex Nut	5	5	
25.	F01X-38	Flat Washer	5	5	
26.	4309-1	RTD Sensor Probe Assembly	1	1	
27.	3-683B	Connector, Brass	1	1	
28.	3-110CB	Bushing, Brass	1	1	
29.	4-M605	Microswitch	1	1	
30.	3408-1	Microswitch Bracket	1	1	
31.	3402-1	Component Mounting Bracket	1	1	
32.	3974-2	Liquid Level Control	1	1	
**	33.	9348-208	Contactor, 3 Pole, (208-240V)	2	2
		9348-208	Contactor, 3 Pole, (380-600V)	1	1
**	34.	6161-3	Modular Term. Assy, 3 Pole, (208-240V)	1	1
		Includes the Following Parts:			
		9374-1	Modular Terminal, Grey	3	3
		9375-1	End Plate	1	1
		9369-1	End Clamp	2	2
		9368-079	Mounting Rail	1	1
**	34.	9390-3	Terminal Block Assy, 3 Pole, (380-600V)	1	1
		Includes the Following Parts:			

PARTS LIST, SELF-GENERATING STEAM JACKETED COUNTER TILTING KETTLES,
EC-6TW-2, EC-10TW-2, EC-12TW-2

FIGURE 1

<u>ITEM</u>	<u>PART NO.</u>	<u>DESCRIPTION</u>	<u>6 GAL. QTY.</u>	<u>10 & 12 GAL. QTY.</u>	
	9391-1	Modular Terminal	3	3	
	9392-1	End Plate	1	1	
	9393-1	End Clamp	2	2	
	9394-065	Mounting Rail	1	1	
**	34.	9390-4N	Terminal Block Assy, 3 Pole with Neutral, (380/220V & 415/240V)	1	1
		Includes the Following Parts			
	9391-1	Modular Terminal	3	3	
	9391-2	Modular Terminal, Blue	1	1	
	9392-1	End Plate	1	1	
	9393-1	End Clamp	2	2	
	9394-065	Mounting Rail	1	1	
	35.	4-70EU	Ground Lug	1	1
	36.	M33S-1032-12	Truss Slotted HD Screw	2	2
**	37.	3400-1	Trunnion Box Bottom Cover	1	
		3438-1	Trunnion Box Bottom Cover		1
		4922-1	Trunnion Box Bottom Gasket	1	
		4922-2	Trunnion Box Bottom Gasket		1
	38.	6570-1	Element Access Cover Assembly	1	1
	39.	4605-1	Gasket	1	1
	40.	4983-1	Element Access Door Channel Brace	1	1
	41.	101X-14	Internal Tooth Lock Washer	1	1
	42.	9029-1	Hex Nut	1	1

PARTS LIST, SELF-GENERATING STEAM JACKETED COUNTER TILTING KETTLES,
EC-6TW-2, EC-10TW-2, EC-12TW-2

FIGURE 1

<u>ITEM</u>	<u>PART NO.</u>	<u>DESCRIPTION</u>	<u>6 GAL. QTY.</u>	<u>10 & 12 GAL. QTY.</u>
	43. M50S-51618-34	Hex HD Screw	4	4
**	44. 7-5015	Heating Element, 7.5 kW, 208V	1	
	7-5016	Heating Element, 7.5 kW, 380/220V	1	
	7-5017	Heating Element, 7.5 kW, 416/240V	1	
	7-5018	Heating Element, 7.5 kW, 480V	1	
	2348-1	Heating Element, 7.5 kW, 600V	1	
	7-5019	Heating Element, 12 kW, 208V		1
	7-5020	Heating Element, 12 kW, 380/220V		1
	7-5021	Heating Element, 12 kW, 416/240V		1
	7-5022	Heating Element, 12 kW, 480V		1
	9-3298-1	Heating Element, 12 kW, 600V		1
*	M93BRB-1032-38	Element Terminal Screw	6	6
**	45. 5984-1	Element Gasket	1	
	5986-1	Element Gasket		1
	46. 8-6030	Bearing	1	1
	47. 3415-1	Trunnion Bushing Housing	2	2
	48. 9061-11	Set Screw	1	1
	49. 7011-1	Cam Collar	1	1
	50. 3546-1	Actuating Collar Assembly	1	1
	51. 9025-1	Set Screw	2	2
	52. 3412-2	Bearing	1	1
	53. 3745-1	Console Cover Gasket	1	1
	54. 3397-1	Console Top Cover	1	1

PARTS LIST, SELF-GENERATING STEAM JACKETED COUNTER TILTING KETTLES,
EC-6TW-2, EC-10TW-2, EC-12TW-2

FIGURE 1

<u>ITEM</u>	<u>PART NO.</u>	<u>DESCRIPTION</u>	<u>6 GAL. QTY.</u>	<u>10 & 12 GAL. QTY.</u>
55.	4-LLP1	Probe	1	1
56.	9031-7	Acorn Nut	1	1
57.	9012-4P	Street Elbow	2	2
58.	5184-1	Relief Valve Extension	1	1
59.	3-AV01	Air Vent Assembly	1	1
60.	3-SRV9-1	Safety Relief Valve, 50 PSI	1	1
61.	8-2020	Tilt Handle	1	1
62.	2-KB01	Handle Knob, Red	1	1
63.	M50S-51618-12	Hex HD Screw	1	1
**	64.	3403-1	Bottom Cover	1
		3440-1	Bottom Cover	1
**	65.	4618-40	Bottom Cover Gasket	1
		4618-504	Bottom Cover Gasket	1
* **	66.	3404-1	Kettle Top Cover, Optional	1
		3441-1	Kettle Top Cover, Optional	1
*	67.	4204-8	Wire Harness, Thermostat	1
*	68.	4204-9	Wire Harness, Element to Contactor	1
*	69.	M50S-51618-114	Hex HD Screw	4
*	70.	F01C-516	Flat Washer	4
* **	71.	4-T252	Transformer, 380-240V	1
		4-T251	Transformer, 415-240V	1
		4-T255	Transformer, 480V-240V	1
		4-T260	Transformer, 600V-240V	1

PARTS LIST, SELF-GENERATING STEAM JACKETED COUNTER TILTING KETTLES,
EC-6TW-2, EC-10TW-2, EC-12TW-2

FIGURE 1

<u>ITEM</u>	<u>PART NO.</u>	<u>DESCRIPTION</u>	<u>6 GAL. QTY.</u>	<u>10 & 12 GAL. QTY.</u>	
* **	72.	9092-3	Fuse, 250V, 3A, (280-240V)	2	2
		9092-3	Fuse, 250V, 3A, (380/220V, 415/240V)	1	1
		9001-2	Fuse, 600V, 1/2 A (380-600V)	2	2
* **	73.	9068-1	Fuse Holder, (208-240V)	2	2
		9068-1	Fuse Holder, (380/220V & 415/240V)	1	1
		9002-1	Fuse Holder, (380-600V)	2	2
*	74.	3931-1	Faucet Bracket, Optional	1	1

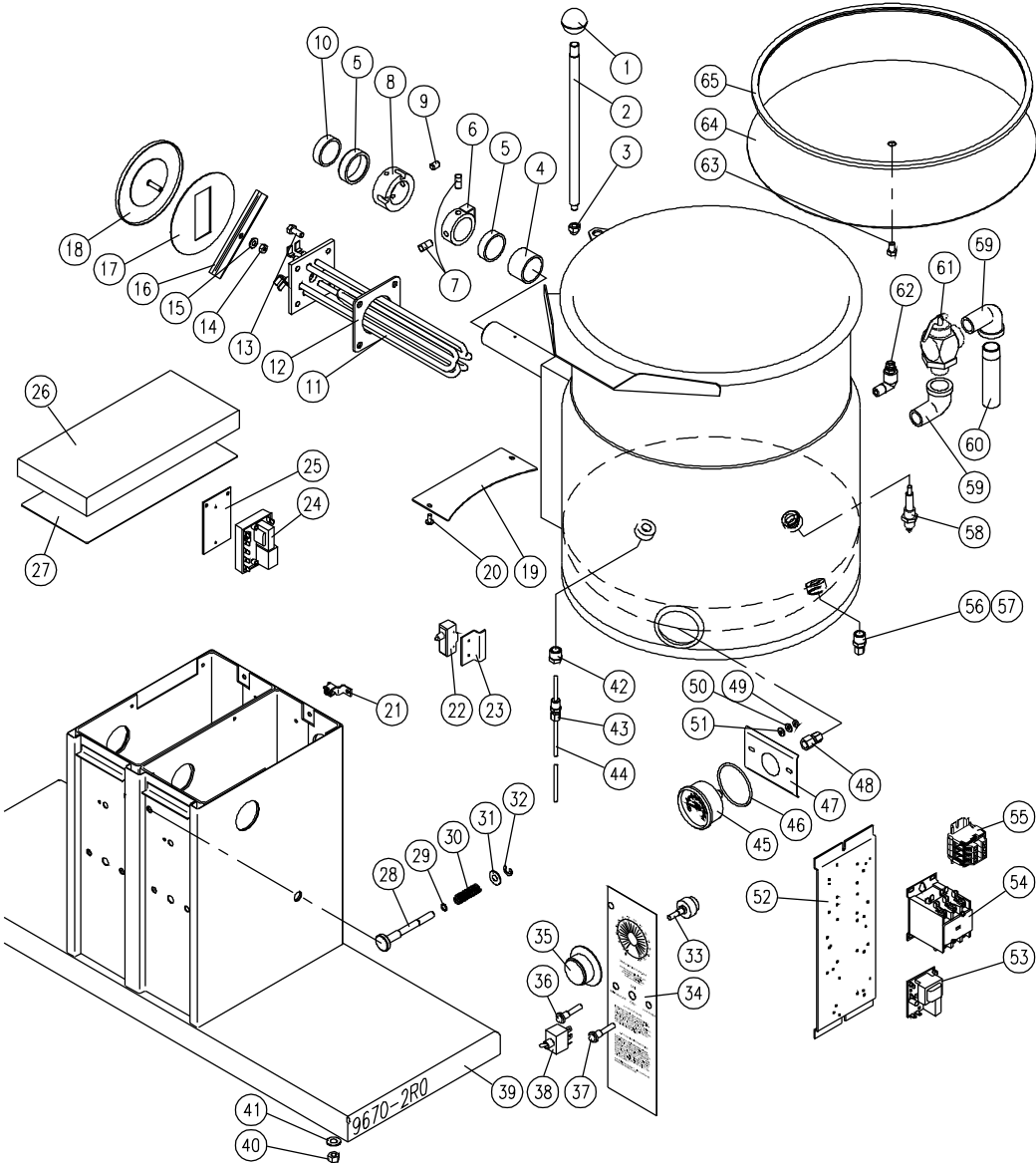
* NOT SHOWN

** SELECT AS REQUIRED

PARTS LIST, SELF-GENERATING STEAM JACKETED COUNTER TILTING KETTLES,
EC-6TW-2, EC-10TW-2, EC-12TW-2

FIGURE 2

RIGHT SIDE KETTLE



PARTS LIST, SELF-GENERATING STEAM JACKETED COUNTER TILTING KETTLES,
EC-6TW-2, EC-10TW-2, EC-12TW-2

FIGURE 2

<u>ITEM</u>	<u>PART NO.</u>	<u>DESCRIPTION</u>	<u>6 GALLON QTY.</u>	<u>10 & 12 GALLON QTY.</u>
1.	2-KB01	Handle Knob, Red	1	1
2.	8-2020	Tilt Handle	1	1
3.	9031-7	Acorn Nut	1	1
4.	3412-2	Bearing	1	1
5.	3415-1	Trunnion Bushing Housing	2	2
6.	3546-1	Actuating Collar Assembly	1	1
7.	9025-1	Set Screw	2	2
8.	7011-1	Cam Collar	1	1
9.	9061-11	Set Screw	1	1
10.	8-6030	Bearing	1	1
**	11.	7-5015	Heating Element, 7.5 kW, 208V	1
		7-5016	Heating Element, 7.5 kW, 380/220V	1
		7-5017	Heating Element, 7.5 kW, 416/240V	1
		7-5018	Heating Element, 7.5 kW, 480V	1
		2348-1	Heating Element, 7.5 kW, 600V	1
		7-5019	Heating Element, 12 kW, 208V	1
		7-5020	Heating Element, 12 kW, 380/220V	1
		7-5021	Heating Element, 12 kW, 416/240V	1
		7-5022	Heating Element, 12 kW, 480V	1
		9-3298-1	Heating Element, 12 kW, 600V	1
*	M93BRB-1032-38	Element Terminal Screw	6	6
**	12.	5984-1	Element Gasket	1
		5986-1	Element Gasket	1

PARTS LIST, SELF-GENERATING STEAM JACKETED COUNTER TILTING KETTLES,
EC-6TW-2, EC-10TW-2, EC-12TW-2

<u>ITEM</u>	<u>PART NO.</u>	<u>DESCRIPTION</u>	<u>6 GALLON QTY.</u>	<u>10 & 12 GALLON QTY.</u>
13.	M50S-51618-34	Hex HD Screw	4	4
14.	9029-1	Hex Nut	1	1
15.	101X-14	Internal Tooth Lock Washer	1	1
16.	4983-1	Elem. Access Door Channel Brace	1	1
17.	4605-1	Gasket	1	1
18.	6570-1	Element Access Cover Assembly	1	1
**	19.	3400-1	Trunnion Box Bottom Cover	1
		3438-1	Trunnion Box Bottom Cover	1
*		4922-1	Trunnion Box Bottom Gasket	1
*		4922-2	Trunnion Box Bottom Gasket	1
20.	M33S-1032-12	Truss Slotted HD Screw	2	2
21.	4-70EU	Ground Lug	1	1
22.	4-M605	Microswitch	1	1
23.	3408-1	Microswitch Bracket	1	1
24.	4174-1	Temperature Control	1	1
25.	4620-1	Mounting Plate	1	1
26.	3397-1	Console Top Cover	1	1
27.	3745-1	Console Cover Gasket	1	1
28.	4608-1	Locking Pin Sub-Assembly	1	1
29.	2-011R	O-Ring	1	1
30.	4623-1	Compression Spring	1	1
31.	1-W3S7	Flat Washer	2	2
32.	1-XR33	External Retaining Ring	1	1
33.	5517-1	Potentiometer c/w Wires & Push on Terminals	1	1

PARTS LIST, SELF-GENERATING STEAM JACKETED COUNTER TILTING KETTLES,
EC-6TW-2, EC-10TW-2, EC-12TW-2

<u>ITEM</u>	<u>PART NO.</u>	<u>DESCRIPTION</u>	<u>6 GALLON QTY.</u>	<u>10 & 12 GALLON QTY.</u>
**	34.	8723-1	Control Panel Decal	1
		8724-1	Control Panel Decal	1
	35.	4-TD02	Skirted Knob	1
	36.	4661-4	Pilot Light, Red, Temperature	1
	37.	4661-5	Pilot Light, Amber, Low Water	1
	38.	9110-1	Toggle Switch	1
	39.	8405-1	Base Sub-Assembly	1
	40.	9029-3	Hex Nut	5
	41.	F01X-38	Flat Washer	5
	42.	3-110CB	Brass Bushing	1
	43.	3-683B	Brass Connector	1
	44.	4309-1	RTD Sensor Probe Assembly	1
	45.	4967-1	Pressure Gauge	1
	46.	2-230R	O-Ring	1
	47.	3407-1	Pressure Gauge Plate	1
	48.	3-664B	Brass Connector	1
	49.	9029-32	Hex Nut	2
	50.	F01X-10	Flat Washer	2
	51.	S01X-10	Split Lock Washer	2
	52.	3402-2	Component Mounting Bracket	1
	53.	3974-2	Liquid Level Control	1
**	54.	9348-208	Contactora, 3 Pole, (208-240V)	2
		9348-208	Contactora, 3 Pole, (380-600V)	1
**	55.	6161-3	Mod. Term. Assy, 3 Pole, 208-240V	1
		Includes the Following Parts:		

PARTS LIST, SELF-GENERATING STEAM JACKETED COUNTER TILTING KETTLES,
EC-6TW-2, EC-10TW-2, EC-12TW-2

<u>ITEM</u>	<u>PART NO.</u>	<u>DESCRIPTION</u>	<u>6 GALLON QTY.</u>	<u>10 & 12 GALLON QTY.</u>
	9374-1	Modular Terminal, Grey	3	3
	9375-1	End Plate	1	1
	9369-1	End Clamp	2	2
	9368-079	Mounting Rail	1	1
**	55.	9390-3 Term Block Assy, 3 Pole, (380-600V) Includes the Following Parts:	1	1
	9391-1	Modular Terminal	3	3
	9392-1	End Plate	1	1
	9393-1	End Clamp	2	2
	9394-065	Mounting Rail	1	1
**	55.	9390-4N Terminal Block Assy, 3 Pole with Neutral, (380/220V & 415/240V) Includes the Following Parts:	1	1
	9391-1	Modular Terminal	3	3
	9391-2	Modular Terminal, Blue	1	1
	9392-1	End Plate	1	1
	9393-1	End Clamp	2	2
	9394-065	Mounting Rail	1	1
	56.	3-684C Brass Connector	1	1
**	57.	8-3149 Copper Tubing		1
		8-3148 Copper Tubing	1	
	58.	4-LLP1 Probe	1	1
	59.	9012-4P Street Elbow	2	2
	60.	5184-1 Relief Valve Extension	1	1

PARTS LIST, SELF-GENERATING STEAM JACKETED COUNTER TILTING KETTLES,
EC-6TW-2, EC-10TW-2, EC-12TW-2

<u>ITEM</u>	<u>PART NO.</u>	<u>DESCRIPTION</u>	<u>6 GALLON QTY.</u>	<u>10 & 12 GALLON QTY.</u>
61.	3-SRV9-1	Safety Relief Valve, 50 PSI	1	1
62.	3-AV01	Air Vent Assembly	1	1
63.	M50S-51618-12	Hex HD Screw	1	1
**	64. 3403-1	Bottom Cover	1	
	3440-1	Bottom Cover		1
**	65. 4618-1	Bnottom Cover Gasket	1	
	4618-2	Bottom Cover Gasket		1
* **	66. 3404-1	Kettle Top Cover, Optional	1	
	3441-1	Kettle Top Cover, Optional		1
*	67. 4204-8	Wire Harness, Thermostat	1	1
*	68. 4204-9	Wire Harness, Elem. to Contactor	1	1
*	69. M50S-51618-114	Hex HD Screw	4	4
*	70. F01C-516	Flat Washer	4	4
* **	71. 4-T252	Transformer, 380-240V	1	1
	4-T251	Transformer, 415-240V	1	1
	4-T255	Transformer, 480V-240V	1	1
	4-T260	Transformer, 600V-240V	1	1
* **	72. 9092-3	Fuse, 250V, 3A (280-240V)	2	2
	9092-3	Fuse 250V 3A (380/220V, 415/240V)	1	1
	9001-2	Fuse, 600V, 1/2A (380-600V)	2	2
* **	73. 9068-1	Fuse Holder, (208-240V)	2	2
	9068-1	Fuse Holder, (380/220V, 415/240V)	1	1
	9002-1	Fuse Holder, (380-600V)	2	2
*	74. 3931-1	Faucet Bracket, Optional	1	1

PARTS LIST, SELF-GENERATING STEAM JACKETED COUNTER TILTING KETTLES,
EC-6TW-2, EC-10TW-2, EC-12TW-2

* NOT SHOWN.

** SELECT AS REQUIRED.