



**IMPORTANT FOR FUTURE REFERENCE**

Please complete this information and retain this manual for the life of the equipment:

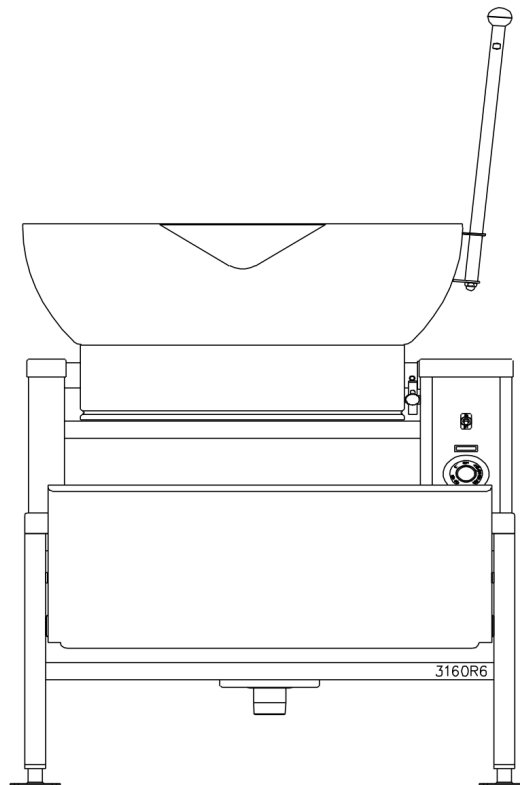
Model #: \_\_\_\_\_

Serial #: \_\_\_\_\_

Date Purchased: \_\_\_\_\_

## PARTS LIST


### Electric Counter Tilting Skillet ECTRS-16



**⚠ WARNING**

Improper installation, adjustment, alteration, service or maintenance can cause property damage, injury or death. Read the installation, operating and maintenance instructions thoroughly before installing or servicing this equipment.

**CROWN FOOD SERVICE EQUIPMENT**

 A Middleby Company

70 Oakdale Road, Downsview (Toronto) Ontario, Canada, M3N 1V9

Telephone: 919-762-1000 [www.crownsteamgroup.com](http://www.crownsteamgroup.com)

Printed in Canada





PARTS LIST, ROUND ELECTRIC COUNTER TILTING KETTLE, MODEL ECTRS-16

<u>ITEM</u>	<u>PART NO.</u>	<u>DESCRIPTION</u>	<u>QUANTITY</u>
1.	4403-1	Cover Assembly	1
2.	4-70EU	Ground Lug	1
3.	2-KB01	Knob - Red	1
4.	4368-1	Handle	1
5.	1-78S0	Acorn Nut	1
6.	9036-114	Bearing	2
** 7.	3162-1	Element, 2.5 kW, 208V	3
	3162-2	Element, 2.5 kW, 220V, (380V)	3
	3162-3	Element, 2.5 kW, 240V, (415V)	3
	3162-4	Element, 2.5 kW, 277V, (480V)	3
	3162-5	Element, 2.5 kW, 347V, (600V)	3
8.	3686-1	Capillary Clamp	1
9.	6368-1	Element Clamp	1
10.	4360-1	Insulation Pan	1
11.	4370-1	Bottom Cover	1
12.	3167-1	Left Hand Console Cover	1
13.	3052-3	Right Hand Console Cover	1
14.	4-TH45	High-Limit Thermostat	1
15.	9110-1	Power Switch	1
16.	4996-5	Pilot Light - Amber	1
** 17.	4736-1	Dial Assembly (°F)	1
	4737-1	Dial Assembly (°C)	1
18.	4-TB05	Bezel	1
19.	4-TH47	Regulating Thermostat	1
20.	3174-1	Operation Panel Decal	1

PARTS LIST, ROUND ELECTRIC COUNTER TILTING KETTLE, MODEL ECTRS-16

<u>ITEM</u>	<u>PART NO.</u>	<u>DESCRIPTION</u>	<u>QUANTITY</u>	
21.	9-3217	Component Mounting Plate (3055)	1	
**	22.	9348-208	Contactactor - 208, 220, 240V	2
		9348-208	Contactactor - 380, 415, 220/380, 240/415, 480V, 600V	1
* **	23A	9092-3	Fuse, 250V, 3 Amp (208-240V Units)	2
		9092-3	Fuse, 250V, 3 Amp (220/380V, 240/415V Units)	1
		9001-2	Fuse, 600V, 1/2 Amp (380-600V) Units	2
* **	23B	9068-1	Fuse Holder (208-240V Units)	2
		9068-1	Fuse Holder (220/380V, 240/415V Units)	1
		9002-1	Fuse Holder (380-600V) Units	2
**	24.	6161-3	Terminal Block Assembly, 3 Pole (208V-240V)	1
			Includes the following parts:	
		9374-1	Modular Terminal, Grey	3
		9375-1	End Plate	1
		9369-1	End Clamp	2
		9368-079	Mounting Rail, 79 mm	1
**	24.	9390-3	Terminal Block Assembly - 3 Poles (380V-600V)	1
			Includes the following parts:	
		9391-1	Modular Terminal	3
		9392-1	End Plate	1
		9393-1	End Clamp	2
		9394-065	Mounting Rail, 65 mm	1

PARTS LIST, ROUND ELECTRIC COUNTER TILTING KETTLE, MODEL ECTRS-16

<u>ITEM</u>	<u>PART NO.</u>	<u>DESCRIPTION</u>	<u>QUANTITY</u>
** 24.	9390-4N	Modular Terminal Assembly, 4 Poles, with Neutral (380-220V), 415-240V Includes the following parts:	1
	9391-1	Modular Terminal	3
	9391-2	Modular Terminal, Blue	1
	9392-1	End Plate	1
	9393-1	End Clamp	2
	9394-065	Mounting Rail, 65 mm	1
25.	M93S-1420-112	Pan Head Screw, 1/4 - 20 NC x 1-1/2"	1
26.	F01S-14	Flat Washer, 1/4"	2
27.	5830-1	Bushing	1
28.	4935-1	Knob	1
29.	5829-1	Handle Bar	1
30.	9030-1	Hex Nut, 1/4 - 20 UNC	1
31.	S01S-14	Split Lock Washer, 1/4"	1
32.	5831-1	Spacer	1
33.	5828-1	Stop Bar	1
34.	M68S-1420-38	Socket Head Screw, 1/4 - 20 NC x 3/8"	1
* ** 35.	4-T251	Transformer, 380/220V, 50/60 Hz, 100VA	1
	4-T251	Transformer, 415/240V, 50/60 Hz, 100VA	1
	4-T255	Transformer, 480/240V, 60 Hz, 100VA	1
	4-T260	Transformer, 600/240V, 60 Hz, 100VA	1

\* NOT SHOWN

\*\* SELECT AS REQUIRED.