



**IMPORTANT FOR FUTURE REFERENCE**

Please complete this information and retain this manual for the life of the equipment:

Model #: \_\_\_\_\_

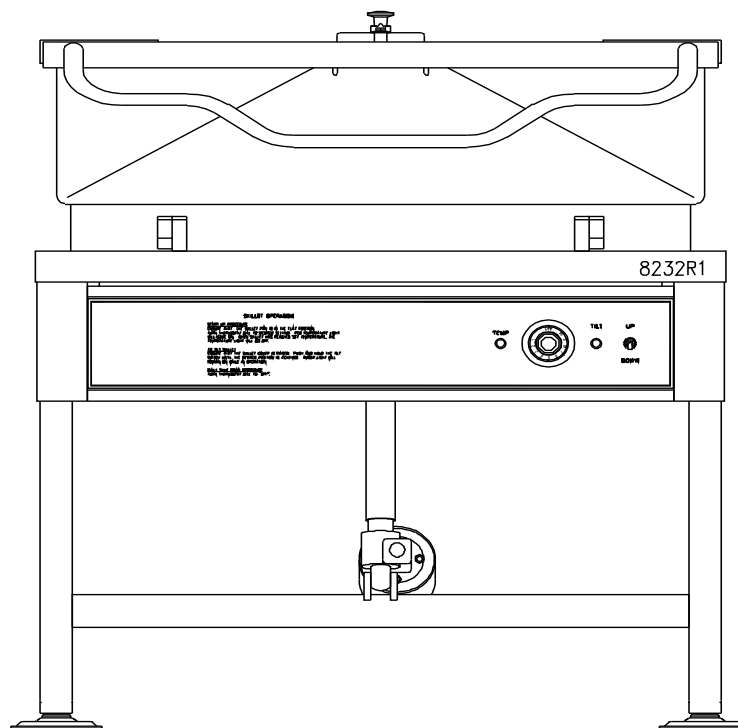
Serial #: \_\_\_\_\_

Date Purchased: \_\_\_\_\_

## PARTS LIST

### Electric Power Tilt Skillets

### ELTS-30 ELTS-40



### WARNING

Improper installation, adjustment, alteration, service or maintenance can cause property damage, injury or death. Read the installation, operating and maintenance instructions thoroughly before installing or servicing this equipment.

### CROWN FOOD SERVICE EQUIPMENT

Division of Middleby Canada Company Inc.

70 Oakdale Road, Downsview (Toronto) Ontario, Canada, M3N 1V9

Telephone: 919-762-1000

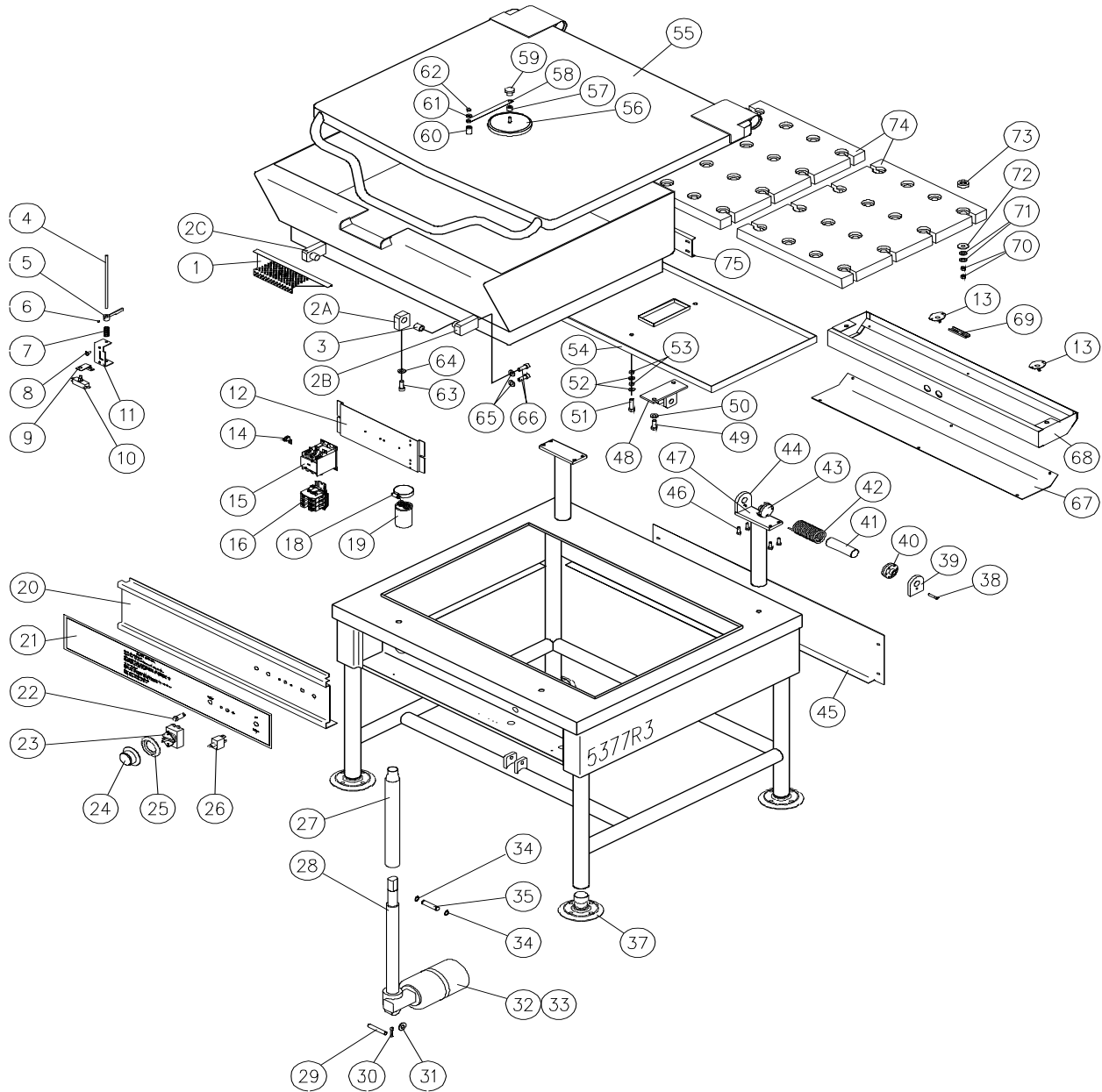
[www.crownsteamgroup.com](http://www.crownsteamgroup.com)

Printed in Canada



PARTS LIST, ELECTRIC MODULAR SKILLETS, MODELS ELTS-30, ELTS-40

**FIGURE 1**



## PARTS LIST, ELECTRIC MODULAR SKILLETS, MODELS ELTS-30, ELTS-40

**FIGURE 1**

<u>ITEM</u>	<u>PART NO.</u>	<u>DESCRIPTION</u>	<u>QUANTITY</u>		
			<u>30</u>	<u>40</u>	
1.	7380-1	Pour Strainer	1	1	
2A.	5877-1	Tilt Bracket	2	2	
2B.	5878-1	Pan Bracket Assembly, Right Hand	1	1	
2C.	5878-2	Pan Bracket Assembly, Left Hand	1	1	
3.	3704-1	Bushing	2	2	
4.	5417-1	Actuator Rod	1	1	
5.	5418-1	Actuator Arm	1	1	
6.	9061-12	Set Screw #8-32 UNC x 3/16	1	1	
7.	5419-1	Spring 1/2 O.D.	1	1	
8.	M33S-1024-38	Truss Screw #10-24 UNC x 3/8	2	2	
9.	5416-1	Switch Bracket	1	1	
10.	9-3213	Limit Switch	1	1	
11.	5415-1	Actuator Mounting Bracket	1	1	
12.	8068-1	Component Board	1	1	
13.	4874-1	High-Limit Thermostat	2	3	
14.	4-70EU	Ground Lug	1	1	
	4188-1	Earth ID Tag	1	1	
**	15.	4-CG42-1	Contactor (208, 220, 240V))	1	1
		9348-120	Contactor (380, 415, 480, 600V)	1	1
		9348-208	Contactor (220/380, 240/415V)	1	1
**	16.	6161-3	Modular Terminal Assembly, 3 Pole, (380V to 600V)	1	1
		Includes the following parts:			
		9374-1	Modular Terminal, Grey	3	3

PARTS LIST, ELECTRIC MODULAR SKILLETTS, MODELS ELTS-30, ELTS-40

<u>ITEM</u>	<u>PART NO.</u>	<u>DESCRIPTION</u>	<u>QUANTITY</u>		
			<u>30</u>	<u>40</u>	
16.	9375-1	End Plate	1	1	
	9369-1	End Clamp	2	2	
	9368-079	Mounting Rail, 79 mm	1	1	
	6161-4	Modular Terminal Assembly, 4 Pole, (208V to 240V)	1	1	
		Includes the following parts:			
	9374-1	Modular Terminal, Grey	4	4	
	9375-1	End Plate	1	1	
	9369-1	End Clamp	2	2	
	9368-098	Mounting Rail, 98 mm	1	1	
	6161-4N	Modular Terminal Assembly, 3 Pole with Neutral, (220/380, 240/415V)	1	1	
		Includes the following parts:			
	9374-1	Modular Terminal, Grey	3	3	
	9374-2	Modular Terminal, Blue	1	1	
	9375-1	End Plate	1	1	
	9369-1	End Clamp	2	2	
	9368-098	Mounting Rail, 98 mm	1	1	
* **	17.	9068-1	Fuse Holder (208, 220, 240V)	2	2
		9002-1	Fuse Holder (380, 415, 480V)	2	2
		9068-1	Fuse Holder (380/220V, 415/240V, 480/277V)	1	1
	18.	9017-5	Gear Clamp	1	1
**	19.	9-3324	Capacitor (220V)	1	1
		9-3327	Capacitor (120V)		
	20.	2527-1	Control Panel	1	

## PARTS LIST, ELECTRIC MODULAR SKILLETS, MODELS ELTS-30, ELTS-40

<u>ITEM</u>	<u>PART NO.</u>	<u>DESCRIPTION</u>	<u>QUANTITY</u>		
			<u>30</u>	<u>40</u>	
20.	2609-1	Control Panel		1	
**	21.	2525-2	Decal - Control Panel	1	
		2610-2	Decal - Control Panel		1
22.	4-PL07-1	Pilot Light - Red	1	1	
23.	4-TH47	Thermostat - Operating	1	1	
**	24.	4736-1	Dial (F)	1	1
		4737-1	Dial (C)	1	1
25.	4-TB05	Bezel	1	1	
26.	9111-1	Tilt Switch	1	1	
27.	5400-1	Motor Actuator Shield	1	1	
**	28.	5525-1	Ball Drive Actuator Assembly, 220V, (Includes items 27, 32, 33)	1	1
		5526-1	Ball Drive Actuator Assembly, 120V (380, 415, 480, 600V, Includes items 27, 32, 33)	1	1
29.	3733-1	Lower Pin	1	1	
30.	5329-2	Cotter Pin 1/8 x 3/4"	2	2	
31.	9078-2	Washer, 7/16" 1D x 1" OD	2	2	
**	32.	9-3326	Motor, 220V	1	1
		9-3329	Motor, 120V (380, 415, 480, 600V)	1	1
33.	4267-1	Motor Cover	1	1	
34.	1-R350	Retaining Ring	2	2	
35.	9-3036	Yoke Pin	1	1	
* **	36.	9092-3	Fuse Glass, 3 Amp. 250V (208, 220, 240V)	2	2
		9001-8	Fuse, 4 Amps, 600V (380, 415)	2	2

PARTS LIST, ELECTRIC MODULAR SKILLETTS, MODELS ELTS-30, ELTS-40

<u>ITEM</u>	<u>PART NO.</u>	<u>DESCRIPTION</u>	<u>QUANTITY</u>		
			<u>30</u>	<u>40</u>	
	9001-4	Fuse, 3 Amps, 600V (480, 600V)	2	2	
	9092-3	Fuse, 3 Amps, 250V (380/220V, 415/240)	1	1	
37.	8-1308	Flanged Adjustable Feet	4	4	
38.	8-2029	Lock Pin	2	2	
39.	8-2035L	End Lock Plate	2	2	
40.	5428-1	Stationary Disc	2	2	
41.	5430-1	Core	2	2	
42.	8-2026	Spring	2	2	
43.	5429-1	Rotary Disc	2	2	
44.	8-2021	End Stop Plate	2	2	
**	45.	2604-1	Rear Cover	1	
		2655-1	Rear Cover		1
46.	M50S-1420-34	Hex HD Screw, 1/4-20 x 3/4, Stainless Steel	8	8	
47.	3699-2	Hinge Support Assembly	2	2	
**	48.	8063-1	Yoke Assembly	1	
		8065-1	Yoke Assembly		1
49.	M50S-3816-1	Hex HD. Screw, 3/8-16 UNC x 1 Lg.	2	2	
50.	S05N-38	Split Lock Washer, 3/8	2	2	
51.	M50S-3816-112	Hex HD 3/8-16 x 1-1/2	6	4	
52.	F05N-38	Flat Washer, 3/8	6	8	
53.	1-79C0	Hex Nut, 3/8	12	8	
**	54.	8066-1	Element Cover	1	
		8067-1	Element Cover		1
**	55.	8113-4	Skillet Cover with Vent	1	

## PARTS LIST, ELECTRIC MODULAR SKILLET, MODELS ELTS-30, ELTS-40

<u>ITEM</u>	<u>PART NO.</u>	<u>DESCRIPTION</u>	<u>QUANTITY</u>	
			<u>30</u>	<u>40</u>
	8114-4	Skillet Cover with Vent		1
56.	4139-1	Steam Vent Cover	1	1
57.	4355-1	Swivel Spacer, Vent Cover	1	1
58.	5817-1	Arm, Vent Cover	1	1
59.	9248-1	Phenolic Knob	1	1
60.	4355-1	Swivel Base, Vent Cover	1	1
61.	F05N-14	Flat Washer, 1/4	1	1
62.	9031-5	Acorn Nut, 1/4 - 20 UNC	1	1
63.	M68P-1213-1	Socket HD. Screw, 1/2 -13 UNC x 1	2	2
64.	S01X-12	Split Lock Washer, 1/2	2	2
65.	S01X-38	Split Lock Washer, 3/8	4	4
66.	M68P-3816-1	Socket Hd. Screw, 3/8 - 16 UNC x 1 Long	4	4
**	67.	8061-1	Terminal Enclosure Cover	1
		8061-2	Terminal Enclosure Cover	1
**	68.	8054-1	Terminal Enclosure Box	1
		8054-2	Terminal Enclosure Box	1
69.	5952-1	Clamp	1	1
70.	1-69C0	Hex Nut, 5/16 - 18 UNC	58	80
71.	9063-1	Disc Springs	58	80
72.	9078-1	Flat Washer, Style BB, 5/16	29	40
73.	3599-1	Element Block Spacer	29	40
**	74.	7545-208	Element Assembly, 208V, 6 kW	2
		7545-220	Element Assembly, 220/380, 6 kW	2
		7545-240	Element Assembly, 240/415V, 6 kW	2

PARTS LIST, ELECTRIC MODULAR SKILLETS, MODELS ELTS-30, ELTS-40

<u>ITEM</u>	<u>PART NO.</u>	<u>DESCRIPTION</u>	<u>QUANTITY</u>	
			<u>30</u>	<u>40</u>
	7545-277	Element Assembly, 480 (277V), 6 kW	2	
	7545-347	Element Assembly, 600V (347V), 6 kW	2	
	7547-208	Element Assembly, 208V, 6 kW		3
	7547-220	Element Assembly, 220/380, 6 kW		3
74.	7547-240	Element Assembly, 240/415V, 6 kW		3
	7547-277	Element Assembly, 480 (277V), 6 kW		3
	7547-347	Element Assembly, 600V (347V), 6 kW		3
* **	75.	8073-1	1	
		8073-2		1
*	76.	<a href="#">3895-1</a>	1	1
* **	77.	9112-1	1	
		(For control panel sealing)		
		9112-2		1
		(For Control Panel Sealing)		
*	78.	5512-1	1	1
* **	79.	<a href="#">4693-500</a>	1	1
		Transformer, 380/415V - 120V, 50/60 Hz, 500 VA		
		4681-500	1	1
		Transformer, 480-120V, 60 Hz, 500VA		
		4694-500	1	1
		Transformer, 600-120V, 60 Hz, 500 VA		

\* NOT SHOWN.

\*\* SELECT AS REQUIRED.