

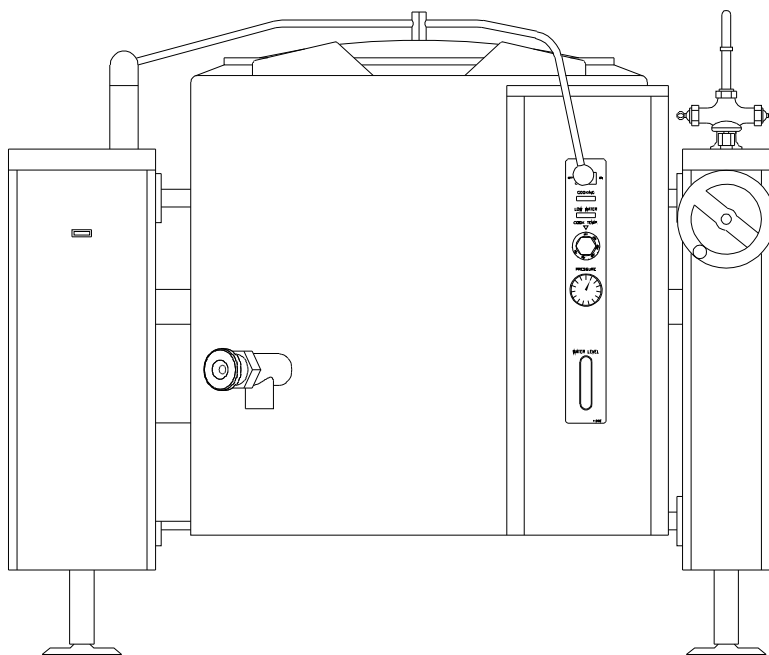


**IMPORTANT FOR FUTURE REFERENCE**  
Please complete this information and retain this manual for the life of the equipment:

Model #: \_\_\_\_\_  
Serial #: \_\_\_\_\_  
Date Purchased: \_\_\_\_\_

# PARTS LIST

GLT-20 GLT-30 GLT-40 GLT-60



**⚠ WARNING**

Improper installation, adjustment, alteration, service or maintenance can cause property damage, injury or death. Read the installation, operating and maintenance instructions thoroughly before installing or servicing this equipment.

**CROWN FOOD SERVICE EQUIPMENT**

A Middleby Company

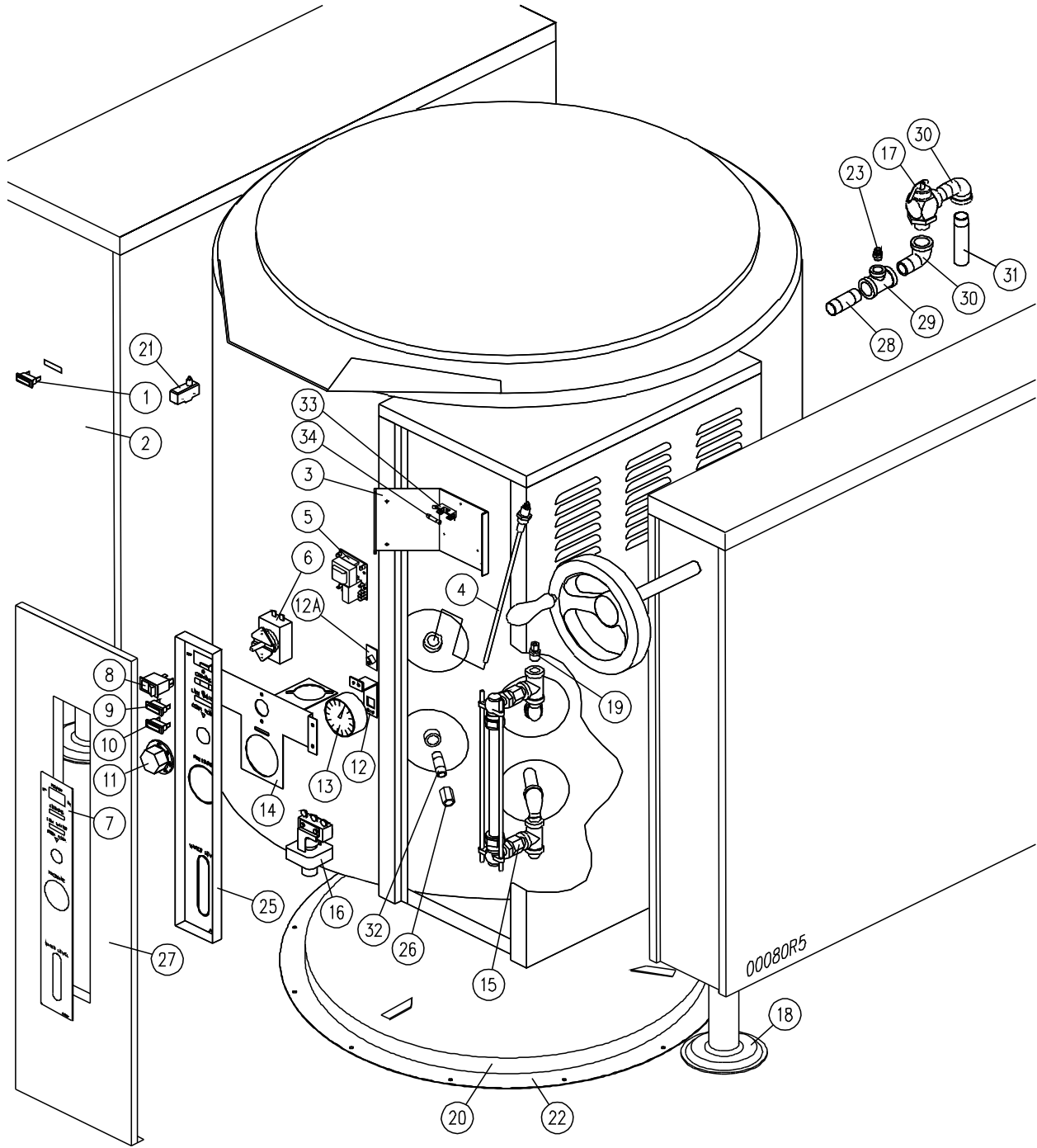
70 Oakdale Road, Downsview (Toronto) Ontario, Canada, M3N 1V9  
Telephone: 919-762-1000 [www.crownsteamgroup.com](http://www.crownsteamgroup.com)

Printed in Canada



PARTS LIST, GAS TILTING KETTLES, MODELS: GLT-20, GLT-30, GLT-40, GLT-60

**FIGURE 1**



PARTS LIST, GAS TILTING KETTLES, MODELS: GLT-20, GLT-30, GLT-40, GLT-60

				<b><u>FIGURE 1</u></b>
<b><u>ITEM</u></b>	<b><u>PART NO.</u></b>	<b><u>DESCRIPTION</u></b>	<b><u>QUANTITY</u></b>	
1.	4996-6	Pilot Light - Green 28V	1	
2.	7272-1	Instruction Label	1	
3.	4524-1	Low Water Control Mounting Bracket	1	
** 4.	3738-13	Probe, 9 3/4" (20 Gallon)	1	
	3738-14	Probe, 9 1/4" (30, 40, 60 Gallon)	1	
5.	3974-1	Low Water Cut Off Control	1	
6.	116-6562	Thermostat	1	
7.	7002-1	Poly Panel	1	
8.	9130-2	Power Switch	1	
9.	4996-2	Pilot Light - Red	1	
10.	4996-3	Pilot Light - Amber	1	
11.	4-TK05	Dial	1	
12.	9-3240	Pressure Gauge Bracket	1	
12A	5845-1	Pressure Gauge Clip	1	
13.	4967-1	Pressure Gauge	1	
** 14.	9-3238	Mounting Bracket (30, 40 Gallon Only)	1	
	9-3239	Mounting Bracket (20, 60 Gallon Only)	1	
15.	5285-1	Sight Glass Assembly	1	
	9108-6	Glass, 5/8" x 8" Long	1	
	8-6016	Rods	2	
	8-6018	Washer - Rubber	2	
	8-6019	Washer - Brass	2	
16.	116-6490	Pressure Switch	1	
17.	3-SRV9-1	Relief Valve	1	

PARTS LIST, GAS TILTING KETTLES, MODELS: GLT-20, GLT-30, GLT-40, GLT-60

			<u>FIGURE 1</u>	
<u>ITEM</u>	<u>PART NO.</u>	<u>DESCRIPTION</u>	<u>QUANTITY</u>	
18.	8-1308	Flanged Foot	2	
19.	3-T684C	Connector, Brass, 1/4C x 3/8 MPT	1	
**	20.	8328-1	Insulation, Bottom Cover, 20 Gal.	1
		8328-2	Insulation, Bottom Cover, 30, 40 Gal.	1
		8328-3	Insulation, Bottom Cover, 60 Gal.	1
21.	4-M605	Interlock Switch	1	
**	22.	8329-1	Bottom Cover Assembly with Insulation, 20 Gal.	1
		8329-2	Bottom Cover Assembly w/ Insulation, 30, 40 Gal.	1
		8329-3	Bottom Cover Assembly with Insulation, 60 Gal.	1
23.	3-AV00	Air Vent	1	
* **	24.	2976-1	Combustion Chamber (20 Gallon)	1
		2976-2	Combustion Chamber (30, 40 Gallon)	1
		2976-3	Combustion Chamber (60 Gallon)	1
25.	7790-1	Recessed Control Panel	1	
26.	3-103C	Brass Coupling, 3/8 NPT	1	
**	27.	7816-1	Control Panel (20 Gallon)	1
		7816-2	Control Panel (30 Gallon)	1
		7816-3	Control Panel (40 Gallon)	1
		7817-1	Control Panel (60 Gallon)	1
28.	9010-034	Nipple, 3/4-Sch. 40 x 3-1/2" Lg.	1	
29.	9013-6P	Tee, 3/4 x 3/4 x 3/8 NPT	1	
30.	9012-4P	Street Elbow, 90°, 3/4 NPT	2	
31.	5184-1	Extension, Relief Valve	1	
32.	3-113C112	Brass Pipe Nipple, 3/8 x 1-1/2" Lg.	1	

PARTS LIST, GAS TILTING KETTLES, MODELS: GLT-20, GLT-30, GLT-40, GLT-60

<u>ITEM</u>	<u>PART NO.</u>	<u>DESCRIPTION</u>	<u>FIGURE 1</u> <u>QUANTITY</u>
33.	9068-1	Fuse Holder	1
34.	9092-3	Fuse, 3 Amps, 250V	1

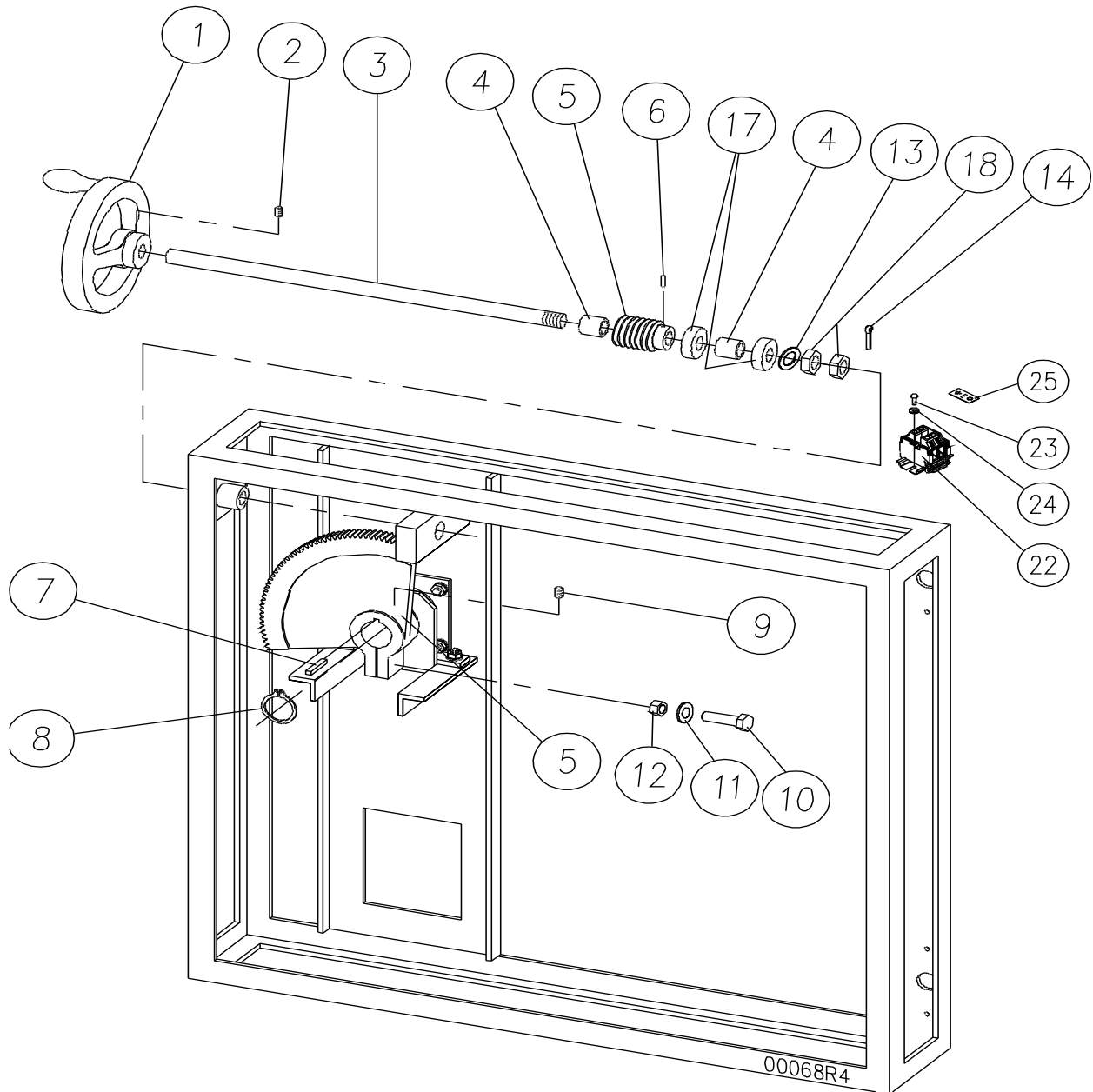
\* NOT SHOWN.

\*\* SELECT AS REQUIRED.

PARTS LIST, GAS TILTING KETTLES, MODELS: GLT-20, GLT-30, GLT-40, GLT-60

**GLT-20, TILTING MECHANISM**

**FIGURE 2**



PARTS LIST, GAS TILTING KETTLES, MODELS: GLT-20, GLT-30, GLT-40, GLT-60

**GLT - 20, TILTING MECHANISM**

**FIGURE 2**

<b><u>ITEM</u></b>	<b><u>PART NO.</u></b>	<b><u>DESCRIPTION</u></b>	<b><u>QUANTITY</u></b>
1.	8-2054	Handwheel	1
2.	1-72U4	Socket Set Screw, 3/8-16 x 1/2	1
3.	6738-1	Tilt Shaft	1
4.	3466-1	Bushing	2
5.	5393-1	Segment Gear and Worm Gear Kit (Includes Items 6 - 12)	1
6.	2-T6U5	Tension Pin, 3/16" D x 1-1/4" L	1
7.	6321-1	Square Key, 1/4" x 1-3/8" L	1
8.	1-R315	Retaining Ring	1
9.	1-52U4	Socket Set Screw, 1/4-20 x 1/2	1
10.	2-96C8	Bolt, 1/2 - 13 x 2	1
11.	S01X-12	Washer, Lock, 1/2"	1
12.	1-99C0	Nut, 1/2-13 UNC	1
13.	5328-1	Washer 3/4 ID x 1 - 1/4 OD	1
14.	5329-1	Cotter Pin S.S. 3/16 x 1	1
* 15.	4127-3	Cord Set, 120V	1
* 16.	5608-1	Decal - Tilt	1
17.	5327-1	Thrust Bearing	2
18.	2-HN66	Jam Nut, 3/4 - 16	2
* 19.	2944-1	Console Cover	1
* 20.	4015-1	Console Cover Assembly (Faucet Mount), Optional	1
* 21.	3864-1	Spacer (Faucet Mount)	1
22.	9390-2	Terminal Assembly	1

Includes the following parts:

PARTS LIST, GAS TILTING KETTLES, MODELS: GLT-20, GLT-30, GLT-40, GLT-60

<u>ITEM</u>	<u>PART NO.</u>	<u>DESCRIPTION</u>	<u>QUANTITY</u>
22.	9391-1	Modular Terminal	2
	9392-1	End Plate	1
	9393-1	End Clamp	2
	9394-053	Mounting Rail, 53 mm	1
23.	1-21C2	Round Head Screw, 8-32 x 1/4	2
24.	E01X-8	Tooth Lock Washer # 8	2
25.	4188-1	Earth/Ground ID Tag	1

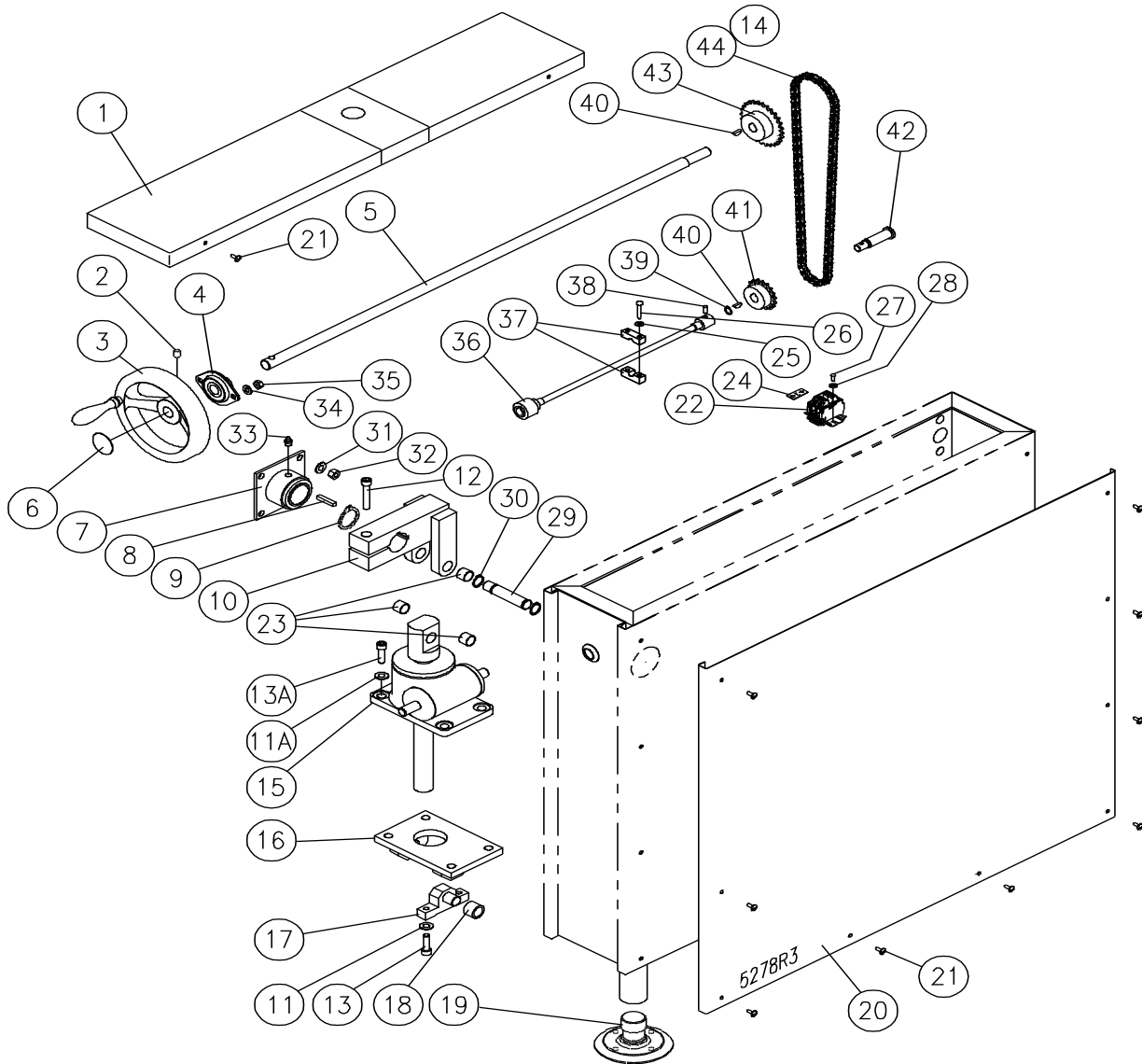
\* NOT SHOWN.



PARTS LIST, GAS TILTING KETTLES, MODELS: GLT-20, GLT-30, GLT-40, GLT-60

**GLT 30, 40, 60, TILT CONSOLE AND PARTS**

**FIGURE 3**



PARTS LIST, GAS TILTING KETTLES, MODELS: GLT-20, GLT-30, GLT-40, GLT-60

**FIGURE 3**

<u>ITEM</u>	<u>PART NO.</u>	<u>DESCRIPTION</u>	<u>QUANTITY</u>
** 1.	6704-1	Console Cover	1
*	4015-3	Console Cover Assembly (Faucet Mount), OPTIONAL.	1
*	3864-1	Spacer (Faucet Mount), OPTIONAL.	1
2.	9061-5	Set Screw, 3/8-16 x 1/2	1
3.	8-2054	Handwheel	1
4.	5311-1	Front Bearing	1
5.	6722-1	Tilt Shaft	1
6.	5608-1	Tilt Label	1
7.	2460-1	Trunnion Housing Assembly	1
8.	6321-1	Sq. Key, 1/4" x 1-3/8" L	1
9.	1-R315	Retaining Ring	1
10.	1348-1	Arm	1
11	F01X-38	Flat Washer, 3/8	4
11A	F01X-12	Flat Washer, 1/2	4
12.	M68P-3816-2	Hex Socket Cap Screw, 3/8-16 x 2	1
13.	M68P-3816-1	Hex Socket Hd Screw, 3/8-16 x 1"	4
13A	M68P-1213-114	Hex Socket Hd Screw, 1/2-13 x 1-1/4"	4
14.	5315-2	Chain Link	1
15.	7842-1	Screw Jack	1
16.	7841-1	Base Assembly	1
17.	6719-1	Base Bracket Assembly	2
18.	5310-1	Bearing	2
19.	8-1308	Adjustable Foot	2

PARTS LIST, GAS TILTING KETTLES, MODELS: GLT-20, GLT-30, GLT-40, GLT-60

**FIGURE 3**

<b><u>ITEM</u></b>	<b><u>PART NO.</u></b>	<b><u>DESCRIPTION</u></b>	<b><u>QUANTITY</u></b>
20.	0680-2	Side Panel	1
21.	M33S-1032-12	Truss HD Slot Screw, 10-32 x 1/2	10
22.	9390-2	Modular Terminal Assembly, 2 Poles	1
		Includes the following parts:	
	9391-1	Modular Terminal	2
	9392-1	End Plate	1
	9393-1	End Clamp	2
	9394-053	Mounting Rail, 53 mm	1
23.	9209-1815	Bushing, DU, 18 ID x 20 OD x 15L	4
24.	4188-1	Earth ID Tag	1
25.	F01X-10	Flat Washer #10	2
26.	M92X-1032-114	Truss HD Screw Drive, 10-32 x 1-1/4	2
27.	M13X-832-14	RD HD Screw, 8-32 x 1/4	2
28.	E01X-8	External Tooth Washer # 8	2
29.	5761-1	Pin, Rod End of Screw Jack	1
30.	9174-18	Retaining Ring, External, 18 mm	2
31.	S01X-38	Lock Washer, 3/8	4
32.	9029-3	Hex Nut, 3/8-16	4
33.	4898-1	Grease Nipple, 1/8 NPT	1
34.	F01X-516	Flat Washer, 5/16	2
35.	9029-2	Hex Nut, 5/16-18	2
36.	6727-1	Flexible Shaft Assembly	1
37.	5316-1	Nylon Shaft Guide	2
38.	9075-3	Set Screw, 1/4-28 x 3/8	1

PARTS LIST, GAS TILTING KETTLES, MODELS: GLT-20, GLT-30, GLT-40, GLT-60

**FIGURE 3**

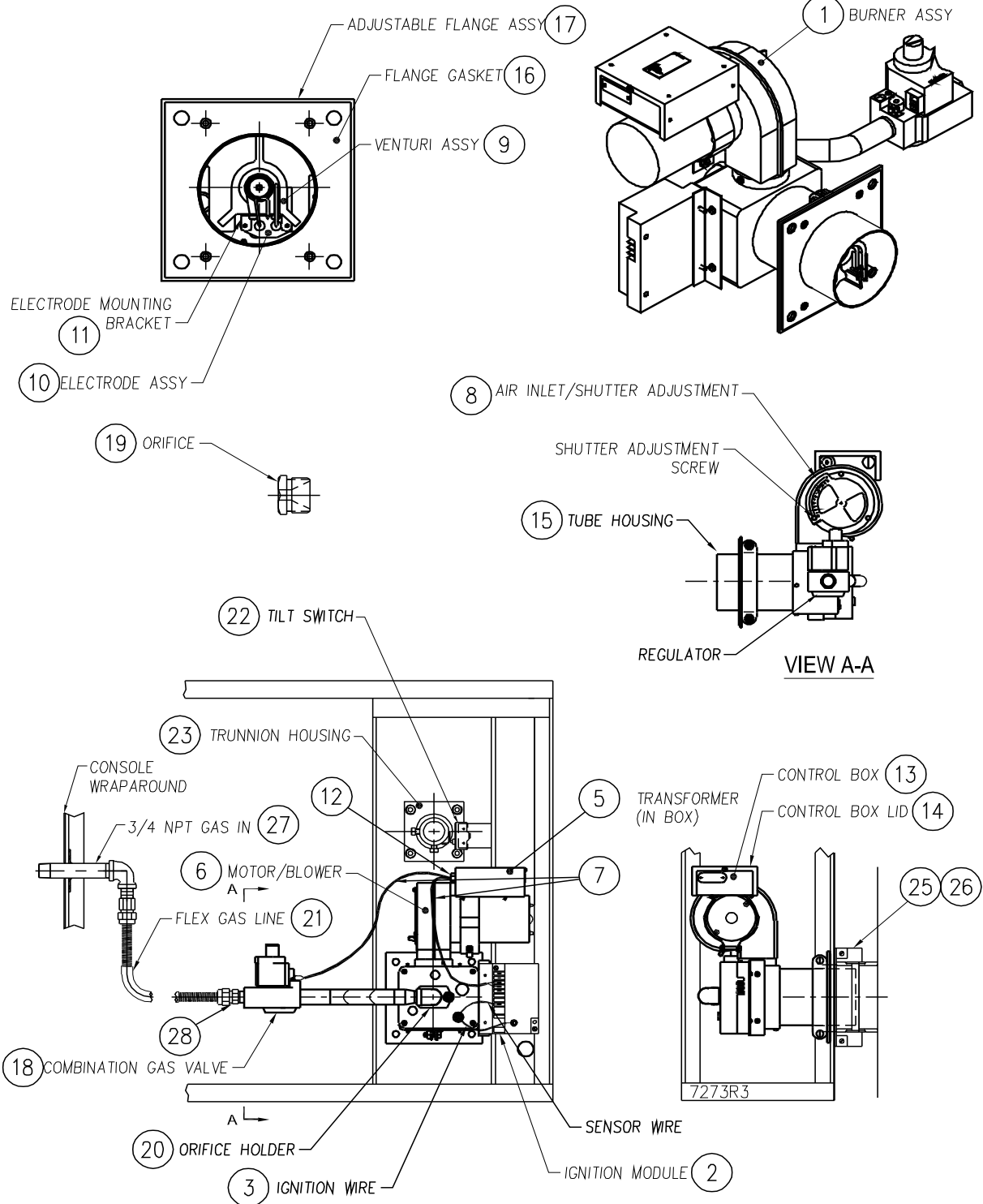
<b><u>ITEM</u></b>	<b><u>PART NO.</u></b>	<b><u>DESCRIPTION</u></b>	<b><u>QUANTITY</u></b>
39.	1-R362Z	External Retaining Ring	1
40.	5312-1	Key	2
41.	5313-2	Sprocket	1
42.	5306-1	Output Shaft	1
43.	5313-1	Sprocket	1
44.	5315-1	Chain	1
* 45.	4327-1	Single Faucet, 18", OPTIONAL	1
	6267-1	Double Faucet, 18", OPTIONAL	1

\* NOT SHOWN.

\*\* SELECT AS REQUIRED.

PARTS LIST, GAS TILTING KETTLES, MODELS: GLT-20, GLT-30, GLT-40, GLT-60

**FIGURE 4**



PARTS LIST, GAS TILTING KETTLES, MODELS: GLT-20, GLT-30, GLT-40, GLT-60

<u>ITEM</u>	<u>PART NO.</u>	<u>DESCRIPTION</u>	<u>FIGURE 4</u>		
			<u>20</u>	<u>30</u> <u>40</u>	<u>60</u>
** 1.	9134-19	Complete Burner Assembly, Natural Gas	1		
	9134-30	Complete Burner Assembly, LP Gas	1		
	9134-13	Complete Burner Assembly, Natural Gas		1	
	9134-27	Complete Burner Assembly, LP Gas		1	
	9134-7	Complete Burner Assembly, Natural Gas			1
	9134-23	Complete Burner Assembly, LP Gas			1
2.	3876-2	DSI Module	1	1	1
3.	9141-1	Ignition Wire, 18"	1	1	1
4.	4-T253	Transformer, 220-240/120V, 200VA, 50/60 Hz (Units rated 220-240V only)	1	1	1
5.	3878-1	Transformer, 120/24V, 50/60, 30 VA	1	1	1
6.	9137-1	Motor/Blower, 115V/50/60 Hz	1	1	1
7.	9164-1	Control/Ignition Module Wire Harness	1	1	1
8.	9140-1	Air Shutter Assembly	1	1	1
9.	9150-1	Venturi Assembly	1	1	1
10.	9138-1	Electrode Assembly	1	1	1
11.	9151-1	Electrode Mounting Bracket	1	1	1
12.	9153-1	Adaptor Bushing, 7/8"	1	1	1
13.	9154-1	Control Box with Strap	1	1	1
14.	9155-1	Control Box Lid	1	1	1
15.	9156-1	Tube/Housing, 6"	1	1	1
16.	9157-1	Flange Gasket, 6-1/2" Square	1	1	1
17.	9139-1	Adjustable Flange Assembly, 6-1/2" Square	1	1	1
18.	5449-1	Gas Valve (Natural/LP), 1/2" x 1/2"	1	1	1
** 19.	9136-19	Orifice #19, Natural Gas	1		

PARTS LIST, GAS TILTING KETTLES, MODELS: GLT-20, GLT-30, GLT-40, GLT-60

**FIGURE 4**

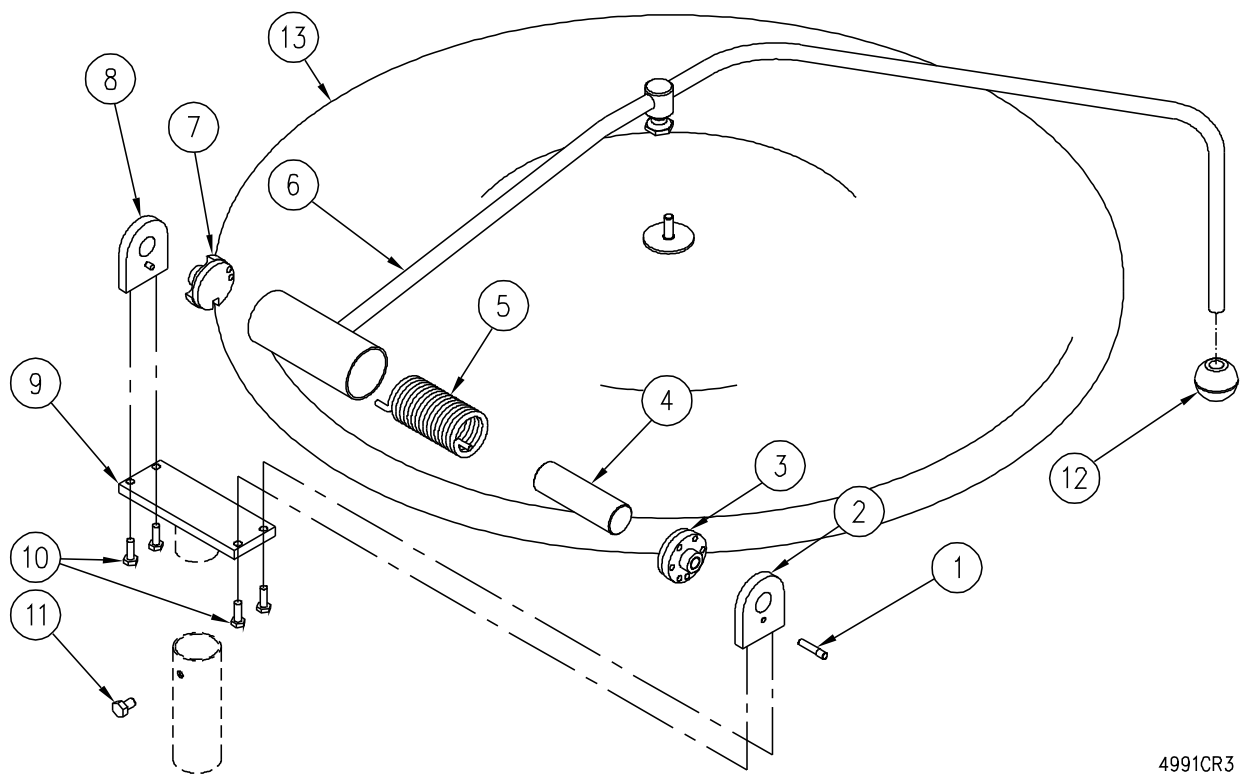
<u>ITEM</u>	<u>PART NO.</u>	<u>DESCRIPTION</u>	<u>20</u>	<u>30</u> <u>40</u>	<u>60</u>	
	9136-30	Orifice #30, LP Gas	1			
**	19.	9136-13	Orifice #13, Natural Gas	1		
		9136-27	Orifice #27, L.P. Gas	1		
		9136-7	Orifice #7, Natural Gas		1	
		9136-23	Orifice #23, L.P. Gas		1	
	20.	9149-1	Orifice Holder	1	1	1
	21.	9026-18	Gas Flex Tube	1	1	1
	22.	4-M605	Interlock Switch	1	1	1
	23.	2460-1	Trunnion Housing Assembly	1	1	1
* **	24.	2945-1	Console Cover, Kettles without Covers	1	1	1
		2945-2	Console Cover, Kettles with Covers	1	1	1
	25.	2443-1	Console Nozzle Assembly	1	1	1
	26.	2458-1	Nozzle Cover	1	1	1
	27.	6729-1	Gas Supply Pipe Assembly	1	1	1
	28.	9201-1	Reducer Bushing, 1/2 x 3/4	1	1	1
* **	29.	9002-1	Fuse Holder (220-240V, 50 Hz Units)	1	1	1
		9002-1	Fuse Holder (240V, 60 Hz Units)	2	2	2
* **	30.	9001-7	Fuse, 2A, 600V (220-240V, 50 Hz Units)	1	1	1
		9001-7	Fuse, 2A, 600V (240V, 60 Hz Units)	2	2	2

\* NOT SHOWN.

\*\* SELECT AS REQUIRED.

**FIGURE 5**

**SPRING ASSIST HINGE ASSEMBLY**



4991CR3



PARTS LIST, GAS TILTING KETTLES, MODELS: GLT-20, GLT-30, GLT-40, GLT-60

**FIGURE 5**

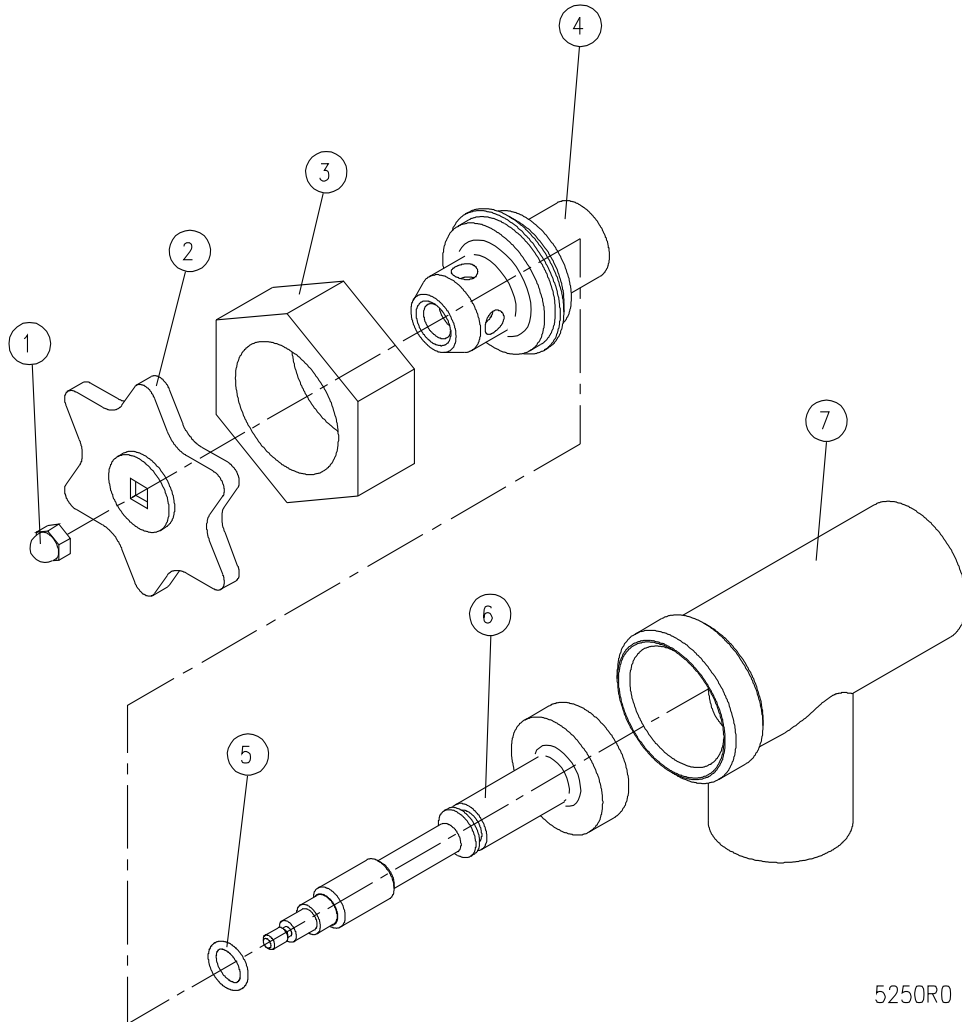
**SPRING ASSIST HINGE ASSEMBLY**

<u>ITEM</u>	<u>PART NO.</u>	<u>DESCRIPTION</u>	<u>QUANTITY</u>
	9-3185	HINGE ASSEMBLY	
1.	8-2029	Lock Pin	1
2.	8-2035L	End Lock Plate	1
3.	5428-1	Stationary Disc	1
4.	5430-1	Core	1
5.	8-2026	Spring	1
** 6.	8-2028-3	Handle Assembly (20 Gallon)	1
	8-2028-4	Handle Assembly (30, 40 Gallon)	1
	8-2027-3	Handle Assembly (60 Gallon)	1
7.	5429-1	Rotary Disc	1
8.	8-2021	End Stop Plate	1
9.	4261-2	Hinge Support Riser	1
10.	1-56S6	Cap Screws, 1/4-20 x 3/4, Stainless Steel	4
11.	M50S-51618-12	Cap Screw, 5/16 - 18 x 1/2	1
12.	2-KB01	Knob	1
** 13.	116-6374	Cover, 20 Gallon Kettle	1
	8-2005	Cover, 30, 40 Gallon Kettle	1
	8-2006	Cover, 60 Gallon Kettle	1

\*\* SELECT AS REQUIRED.

**FIGURE 7**

**DRAW-OFF VALVE**



5250R0

PARTS LIST, GAS TILTING KETTLES, MODELS: GLT-20, GLT-30, GLT-40, GLT-60

**FIGURE 7**

<u>ITEM</u>	<u>PART NO.</u>	<u>DESCRIPTION</u>	<u>QUANTITY</u>
	3-D015	1 -1/2" DRAW-OFF VALVE ASSEMBLY	
1.	9031-3	Acorn Nut 10-24 UNC	1
2.	4115-1	Handle, Stainless Steel	1
3.	3-DV14	Bonnet	1
4.	3-DV13	Gland Nut	1
5.	3-DV16	"O" Ring	1
6.	3-DV15RV	Stem Assembly	1
7.	3-DV17	Valve Body	1

<u>ITEM</u>	<u>PART NO.</u>	<u>DESCRIPTION</u>	<u>QUANTITY</u>
	3-D020	2" DRAW-OFF VALVE ASSEMBLY	
1.	9031-3	Acorn Nut 10-24 UNC	1
2.	4115-1	Handle, Stainless Steel	1
3.	3-DV24	Bonnet	1
4.	3-DV23	Gland Nut	1
5.	3-DV26	"O" Ring	1
6.	3-DV25RV	Stem Assembly	1
7.	3-DV27	Valve Body	1

PARTS LIST, GAS TILTING KETTLES, MODELS: GLT-20, GLT-30, GLT-40, GLT-60

**FIGURE 7**

<b><u>ITEM</u></b>	<b><u>PART NO.</u></b>	<b><u>DESCRIPTION</u></b>	<b><u>QUANTITY</u></b>
	3-D030	3" DRAW-OFF VALVE ASSEMBLY	
1.	3-DV31	Acorn Nut, 7/16-14 UNC	1
2.	3-DV32	Handle, Stainless Steel	1
3.	3-DV34	Bonnet	1
4.	3-DV33	Gland Nut	1
5.	3-DV36	"O" Ring	1
6.	3-DV35RV	Stem Assembly	1
7.	3-DV37	Valve Body	1