



IMPORTANT FOR FUTURE REFERENCE
Please complete this information and retain this manual for the life of the equipment:

Model #: _____
Serial #: _____
Date Purchased: _____

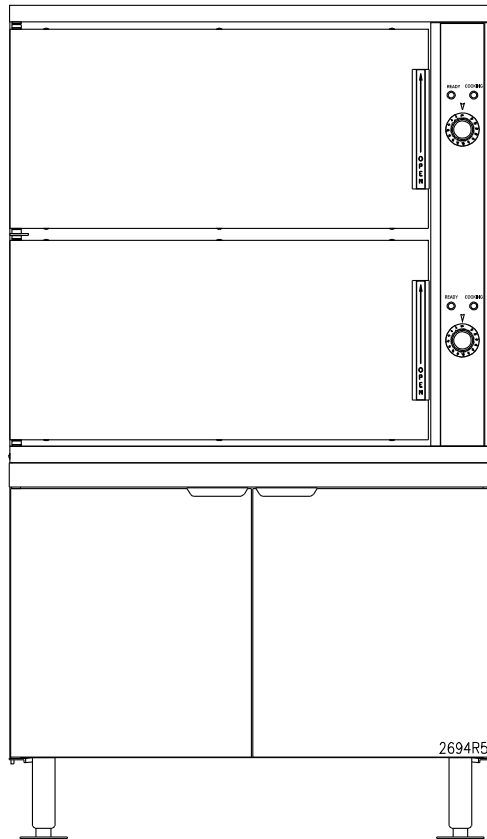
PARTS LIST

Two Compartment Steamer Heads

CX-% CX-&

Used on: DCX-% ECX-% GCX-% SCX-%


DCX-& ECX-& GCX-& SCX-&



WARNING

Improper installation, adjustment, alteration, service or maintenance can cause property damage, injury or death. Read the installation, operating and maintenance instructions thoroughly before installing or servicing this equipment.

CROWN FOOD SERVICE EQUIPMENT

 A Middleby Company

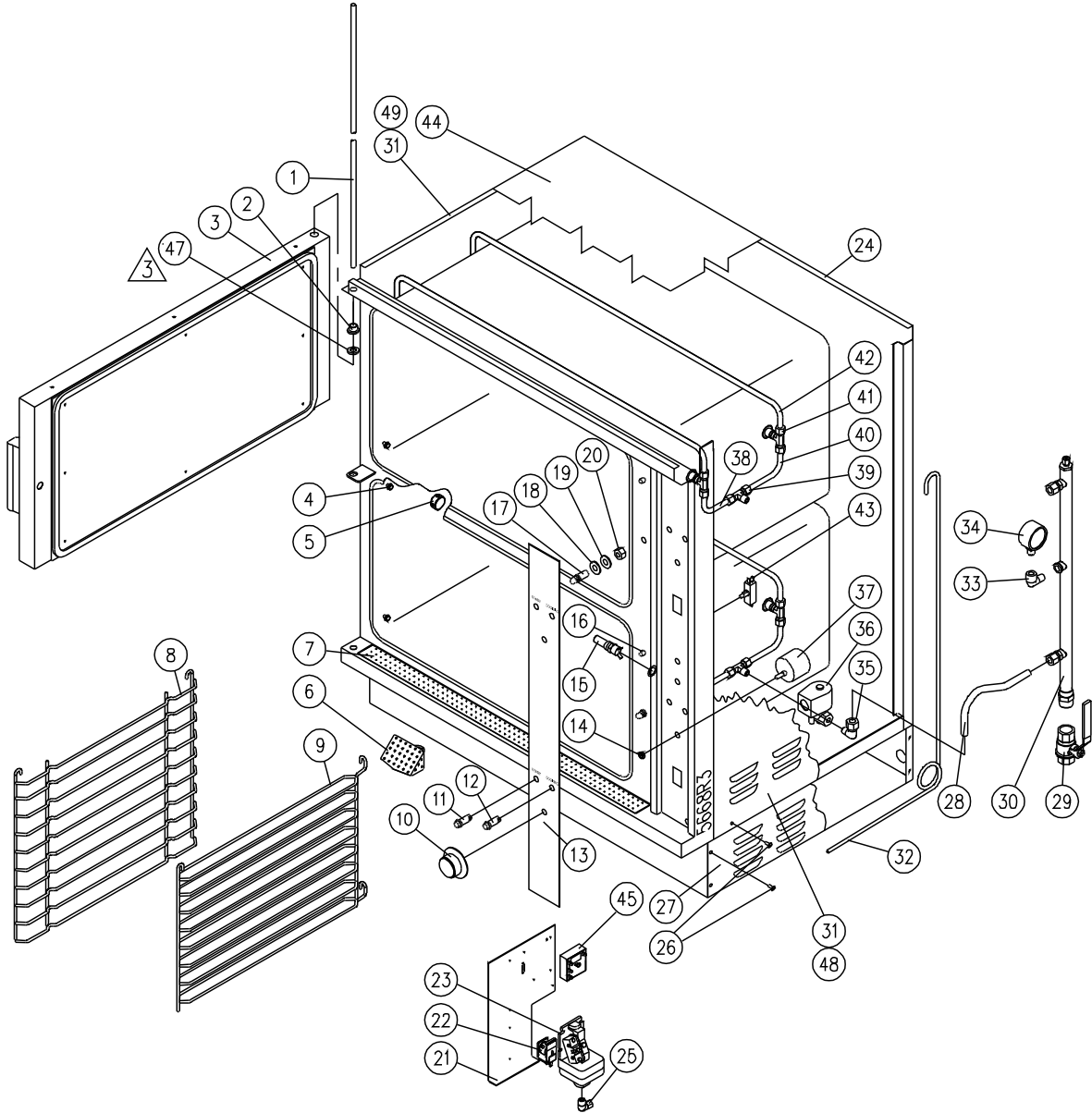
70 Oakdale Road, Downsview, (Toronto), Ontario, Canada, M3N 1V9
Telephone: 919-762-1000 www.crownsteamgroup.com

Printed in Canada



PARTS LIST, TWO COMPARTMENT STEAMER TONS,
 CX-16, CX-24, DCX-16, DCX-24, ECX-16, ECX-24, GCX-16, GCX-24, SCX-16, SCX-24

FIGURE 1



PARTS LIST, TWO COMPARTMENT STEAMER TOPS,
 CX-16, CX-24, DCX-16, DCX-24, ECX-16, ECX-24, GCX-16, GCX-24, SCX-16, SCX-24

FIGURE 1

<u>ITEM NUMBER</u>	<u>PART NUMBER</u>	<u>DESCRIPTION</u>	<u>QUANTITY</u>	
			<u>16 PAN</u>	<u>24 PAN</u>
1.	4247-1	Hinge Rod	1	
	4247-2	Hinge Rod		1
2.	4248-1	Bronze Flanged Bushing	8	8
3.	4251-1	Door Assembly	2	
	9925-1	Door Assembly		2
4.	4721-1	Hanger Pin Assembly	12	
	9926-1	Hanger Pin Assembly		12
5.	3502-2	Steam Diverter Kit	8	
	5281-2	Steam Diverter Kit		8
6.	5224-2	Compartment Strainer	2	2
7.	2283-1	Perforated Trough (8-5023-6)	1	1
8.	2681-2	Pan Rack	4	
	8811-1	Pan Rack		4
9.	2667-1	Centre Pan Support	2	
	8812-1	Centre Pan Support		2
** 10.	4104-1	Timer Knob, 60 Min., 60 Hz	2	2
	4103-1	Timer Knob, 60 Min., 50 Hz	2	2
11.	4753-5	Pilot Light, Green (4-PL04)	2	2
12.	4753-7	Pilot Light, Red (4-PL07)	2	2
13.	2663-2	Control Panel Decal	1	
	8853-1	Control Panel Decal		1
14.	9109-1	Rotary Shaft Seal	2	2
15.	3826-1	Thermal Switch (3-TS01)	2	2

PARTS LIST, TWO COMPARTMENT STEAMER TOPS,
CX-16, CX-24, DCX-16, DCX-24, ECX-16, ECX-24, GCX-16, GCX-24, SCX-16, SCX-24

<u>ITEM NUMBER</u>	<u>PART NUMBER</u>	<u>DESCRIPTION</u>	<u>QUANTITY</u>	
			<u>16 PAN</u>	<u>24 PAN</u>
16.	3775-1	Actuator Pin (9-3336)	2	2
17.	3498-1	Striker (8-5021)	2	2
18.	3499-1	Flat Washer, 1/2 (8-5022)	2	2
19.	S05N-12	Split Lock Washer, 1/2	2	2
20.	HN05N-1220	Hex Nut, 1/2 - 20 UNF, Stainless Steel	2	2
21.	2718-1	Component Panel (9-3223)	1	1
22.	3821-1	Buzzer	1	1
23.	9411-1	Pressure Switch Assembly	1	1
24.	8641-1	Back Panel	1	
	8942-1	Back Panel		1
25.	9659-9	Elbow, 1/4 C x 1/4 NPTM (3-694B)	1	1
26.	M33S-1032-12	Truss Head Screw 10 - 32 UNC x 1/2	8	
27.	2835-1	Side Riser	2	
28.	4659-3	Steam Tube, \varnothing 1/2, (9-3029-2)	2	2
29.	4918-1	Ball Valve (3-BVE0)	1	1
30.	2252-3	Steam Manifold Assembly (9-3019-2)	1	
	2252-4	Steam Manifold Assembly		1
31.	6765-4	Side Panel (8-5102-6), Dwg. 6765	2	
32.	9-3220-2	Steam Tube, \varnothing 1/4	1	1
33.	3-H116B	Elbow, 1/4 NPTF x 1/4 NPTM	1	1
34.	3-BM15	Pressure Gauge	1	1
35.	9659-14	Elbow, 1/2 C x 1/4 MPT (3-698B)	2	
	9659-5	Elbow, 3/8 C x 1/2 MPT (3-696D)		2
36.	9273-1	Solenoid Valve, 1/2	2	2

PARTS LIST, TWO COMPARTMENT STEAMER TOPS,
CX-16, CX-24, DCX-16, DCX-24, ECX-16, ECX-24, GCX-16, GCX-24, SCX-16, SCX-24

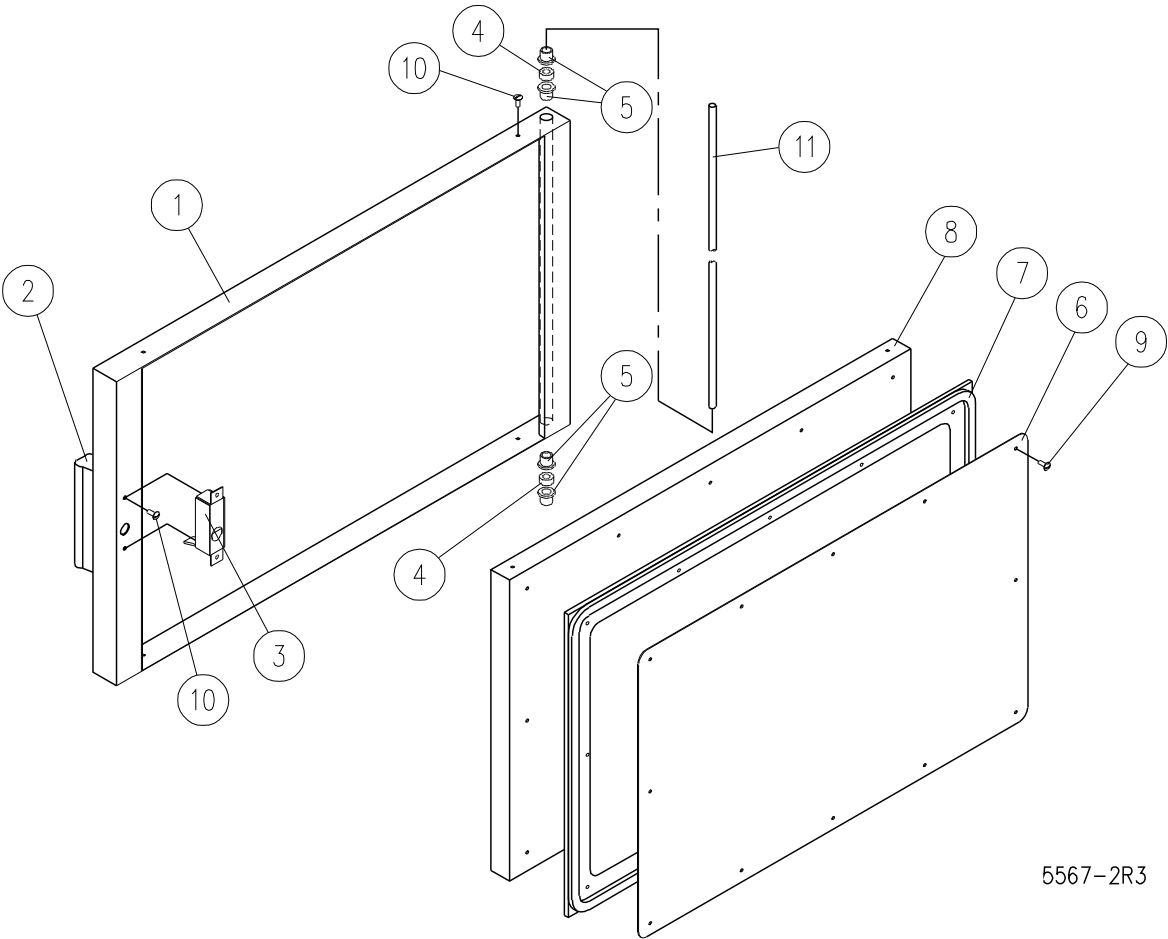
<u>ITEM NUMBER</u>	<u>PART NUMBER</u>	<u>DESCRIPTION</u>	<u>QUANTITY</u>	
			<u>16 PAN</u>	<u>24 PAN</u>
37.	9451-1	Timer, 60 Minutes (4-T210)	2	2
38.	9-3221	Steam Tube - Front, 3/8	2	2
39.	9738-8	Tee, 3/8C x 1/2 MPT (3-726D)	2	6
40.	9-3222	Steam Tube - Rear, 3/8	2	2
41.	9738-6	Tee, 3/8C x 1/4 NPTM (3-726D)	4	
42.	4579-1	Steam Supply Crossover Tube	4	
	4579-2	Steam Supply Crossover Tube		4
43.	9208-1	Door Switch	2	2
44.	7930-2	Top Cover	1	1
45.	9229-1	Time Delay Relay	1	1
* 46.	9-3296-1	Steam Hose	2	2
47.	9924-1	Spacer, Top Bushing, Door	1	1
48.	8943-1	Access Panel, Right Hand		1
49.	8944-1	Access Panel, Left Hand		1

* NOT SHOWN.

** SELECT AS REQUIRED.

PARTS LIST, TWO COMPARTMENT STEAMER TONS,
CX-16, CX-24, DCX-16, DCX-24, ECX-16, ECX-24, GCX-16, GCX-24, SCX-16, SCX-24

FIGURE 2



5567-2R3

PARTS LIST, TWO COMPARTMENT STEAMER TOPS,
 CX-16, CX-24, DCX-16, DCX-24, ECX-16, ECX-24, GCX-16, GCX-24, SCX-16, SCX-24

FIGURE 2

<u>ITEM</u>	<u>PART NUMBER</u>	<u>DESCRIPTION</u>	<u>QUANTITY</u>	
			<u>16 PAN</u>	<u>24 PAN</u>
1.	3103-1	Door Frame	1	
	3103-3	Door Frame		1
2.	3903-2	Door Handle Assembly	1	1
*	3646-1	Decal	1	1
*	4090-2	Handle	1	1
*	4089-2	Door Handle, Plate	1	1
*	M68S-1420-134	Socket Screw, 1/4 - 20 x 1 3/4	2	2
*	M68S-1420-34	Socket Screw, 1/4 - 20 x 3/4	1	1
*	4088-1	Spacer	2	2
*	S05N-14	Lock Washer 1/4	2	2
*	HN05N-1420	Nut, 1/4 - 20	2	2
3.	3900-1	Latch Assembly (8-5068-9)	1	1
4.	4249-1	Spacer, Top Door, Stainless Steel	1	1
	4250-1	Spacer, Lower Door, Stainless Steel	1	1
5.	4248-1	Door Bushing	4	4
6.	2805-1	Door Gasket Retainer (8-5065-6)	1	
	8941-1	Door Gasket Retainer		1
7.	2666-1	Door Gasket (8-5063-6)	1	
	8790-1	Door Gasket		1
8.	2804-1	Door Panel (8-5060-6)	1	
	8940-1	Door Panel		1
9.	9423-1	Door Gasket Screw (9-1011-1)	12	14
10.	M33S-1032-12	Screw, 10-32 x 1/2	6	6

PARTS LIST, TWO COMPARTMENT STEAMER TOPS,
 CX-16, CX-24, DCX-16, DCX-24, ECX-16, ECX-24, GCX-16, GCX-24, SCX-16, SCX-24

<u>ITEM</u>	<u>PART NUMBER</u>	<u>DESCRIPTION</u>	<u>QUANTITY</u>	
			<u>16 PAN</u>	<u>24 PAN</u>
11.	4247-1	Hinge Rod	1	
	4247-2	Hinge Rod		1

* NOT SHOWN.