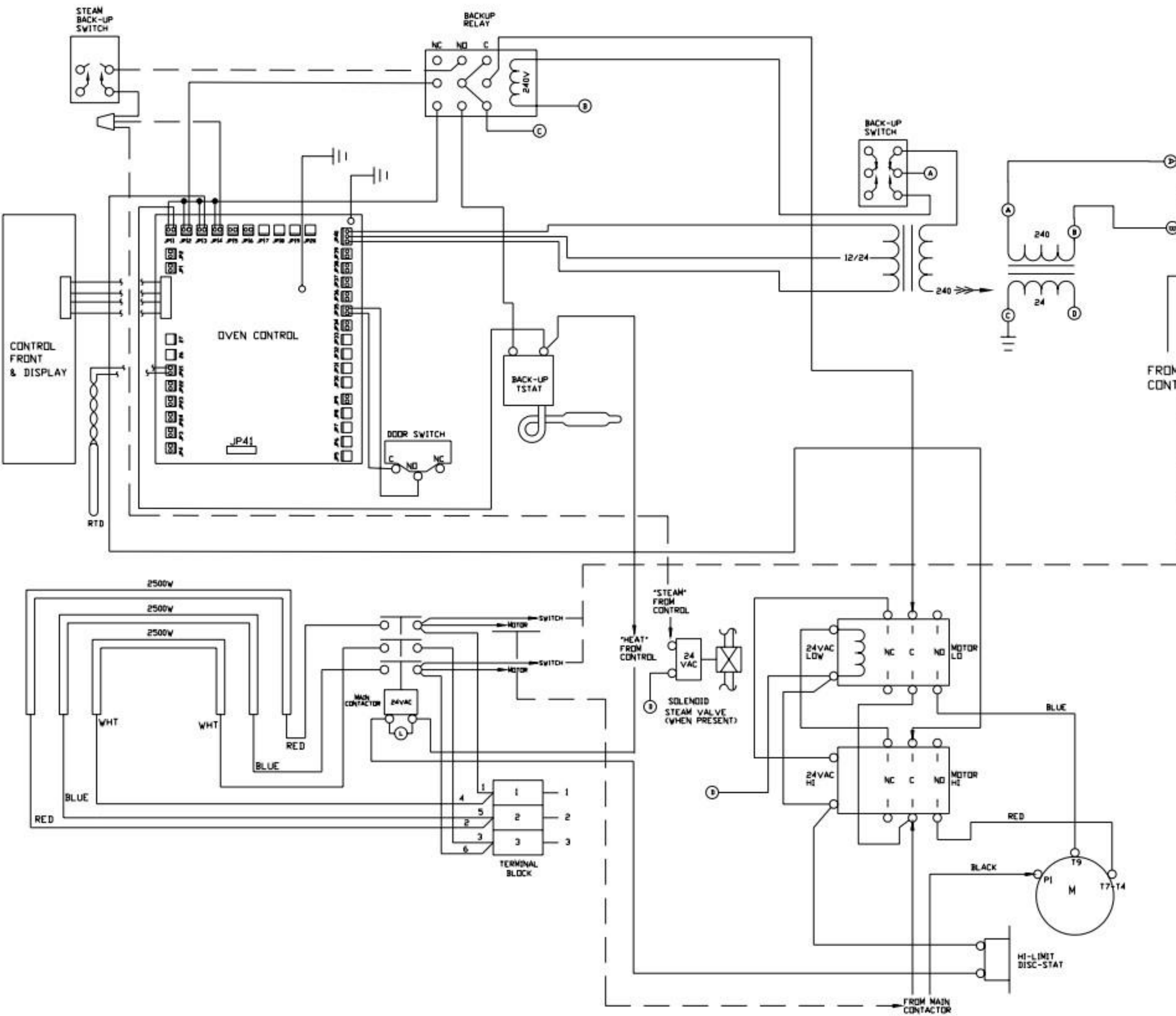


REVISION BLOCK						
REV	ECN NO.	DESCRIPTION	DR:	MFG	ENG	DATE



- JP11 = HEAT
- JP12 = HI SP MOTOR
- JP13 = LO SP MOTOR
- JP14 = OPT STEAM
- JP21 = RTD
- JP35 = DOOR SW
- JP37 = ON-OFF
- GP3 = CHASSIS GROUND
- GP4 = CHASSIS GROUND
- JP41 = RS232 CONNECTOR



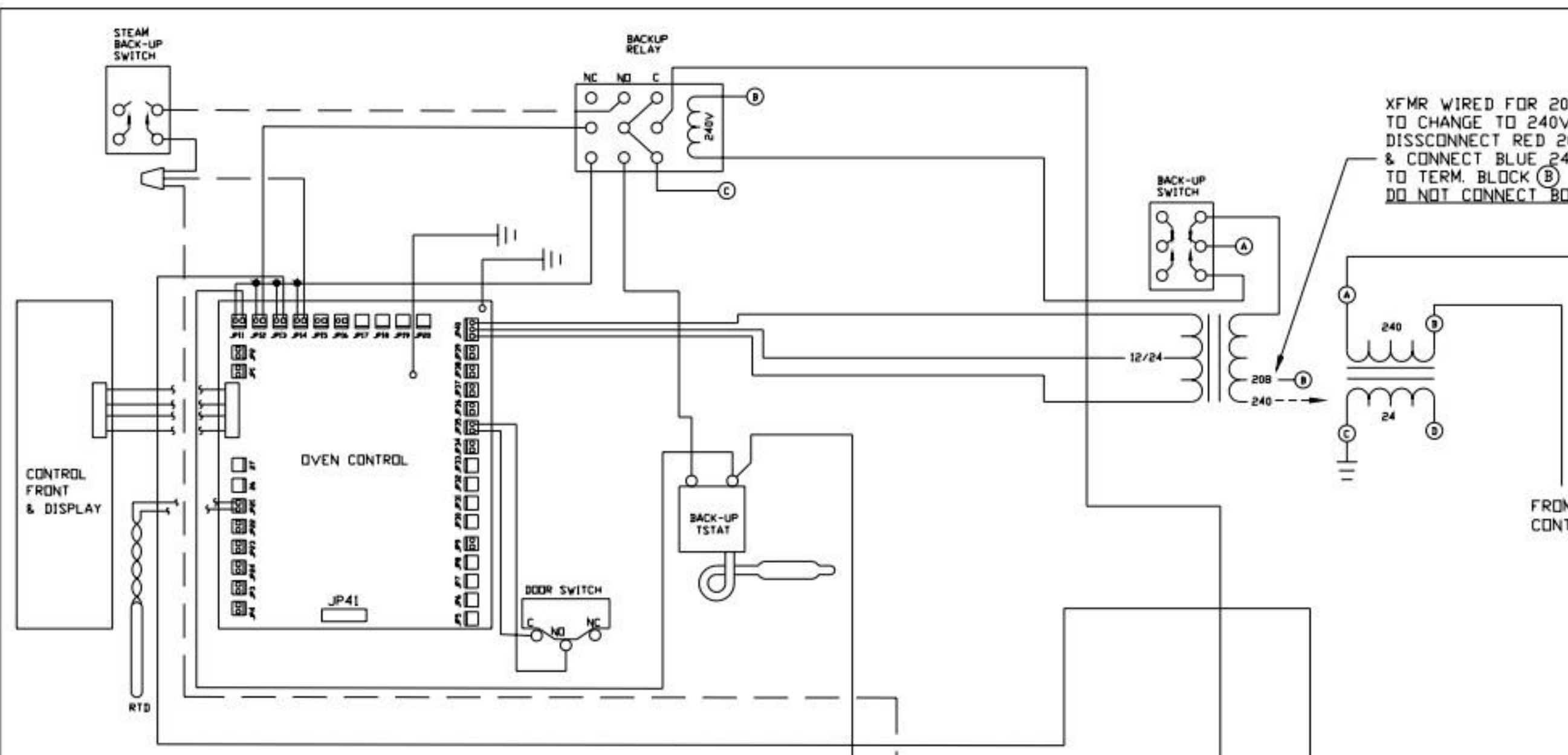
	VOLTS	KW			AMPS				
		L1-L2	L2-L3	L3-L1	TOTAL	L1	L2	L3	1 PHASE
EH	480	2.5	2.5	3.1	8.1	6.02	6.02	6.74	9.75

SERVICE CONNECTIONS				
THREE PHASE			SINGLE PHASE	
L1	L2	L3	L1	L2
1-4	2-5	3-6	1-3-5	2-4-6

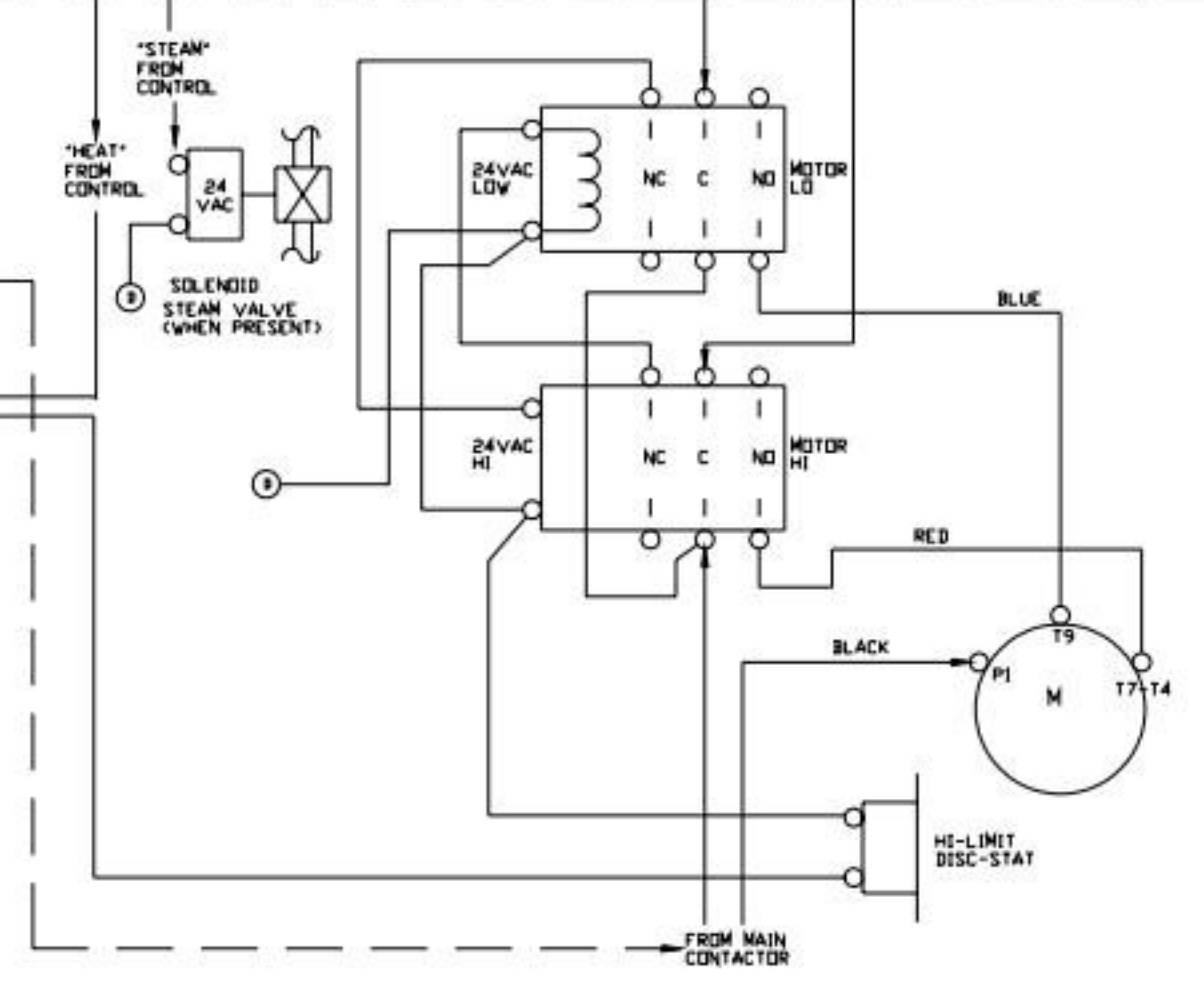
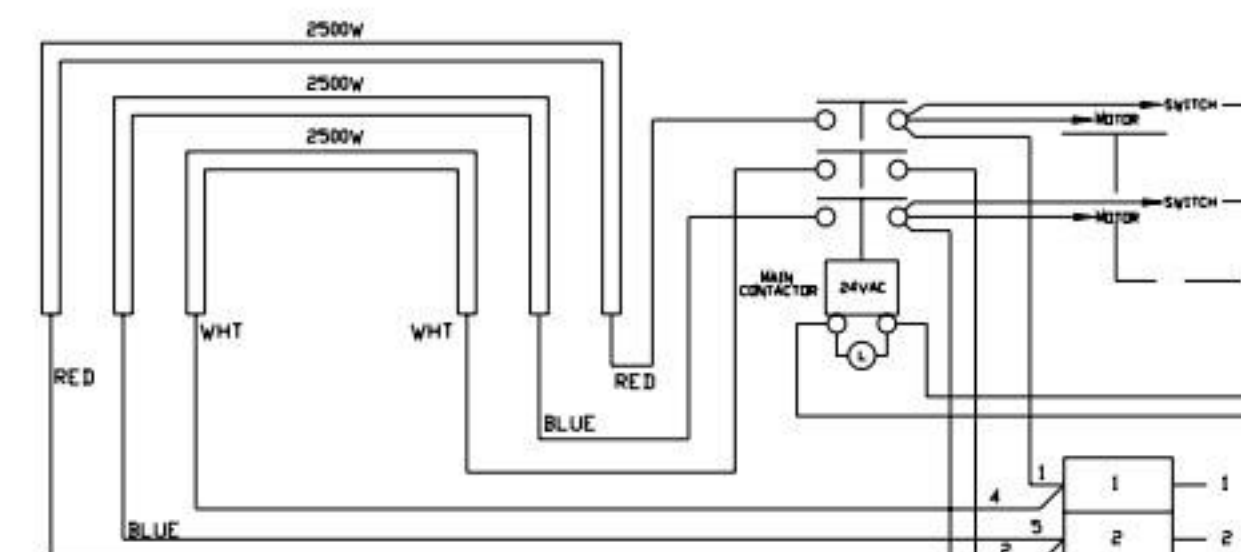
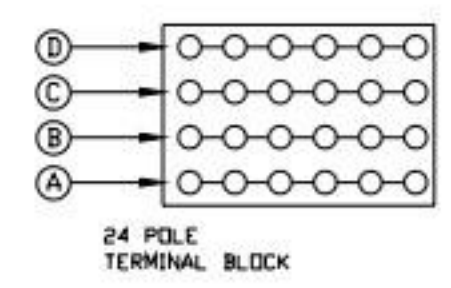
PURPLE-PLUS

QTY	ITEM	PART NUMBER	DESCRIPTION / MATERIAL
LANG MANUFACTURING			
DR: SRC DATE: 11/9/00		TITLE: W/D 480V EH PT	
CK: FJD DATE:		MOTOR 480VAC	
TOLERANCES FRACTIONS DECIMALS 1/64 .X .06 ANGLES .XX .03 ± .0		NEXT HIGHER ASSY.	SHEET
UNLESS OTHERWISE SPECIFIED DIMENSIONS ARE IN INCHES		1 OF 1	DRAWING NUMBER
SCALE: TO FIT		61111-169	REV
			A

REVISION BLOCK						
REV	ECN NO.	DESCRIPTION	DR:	MFG	ENG	DATE
B		ADDED "OPTIONAL" MOTOR STUFF	BDM			10-20-99



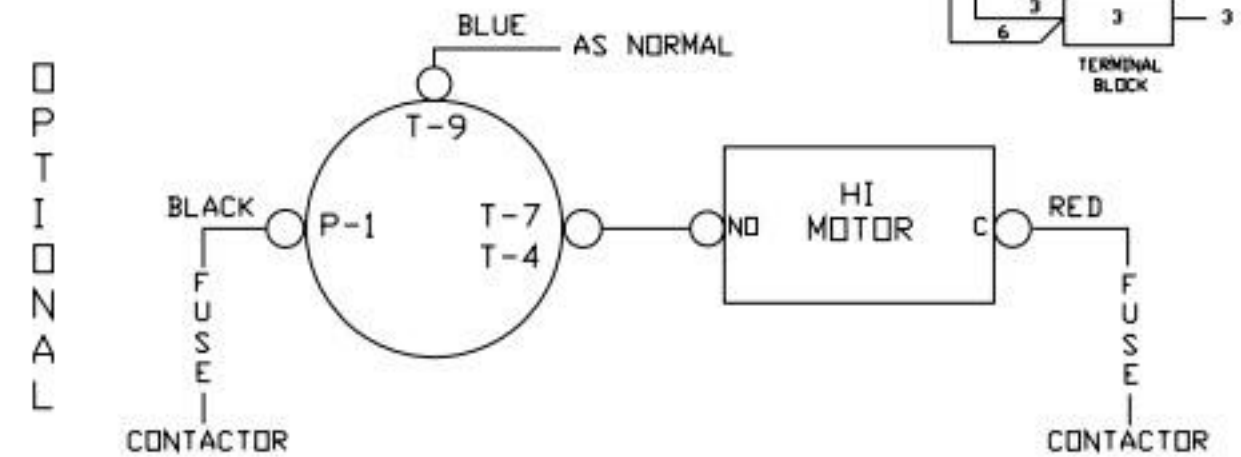
- JP11 = HEAT
- JP12 = HI SP MOTOR
- JP13 = LO SP MOTOR
- JP14 = OPT STEAM
- JP21 = RTD
- JP35 = DOOR SW
- GP3 = CHASSIS GROUND
- GP4 = CHASSIS GROUND
- JP41 = RS232 CONNECTOR



	VOLTS	KW			TOTAL	AMPS			
		L1-L2	L2-L3	L3-L1		L1	L2	L3	1 PHASE
EH	208	2.5	2.5	3.1	8.1	23.3	20.8	23.3	40
EH	240	2.5	2.5	3.1	8.1	20.2	18.0	20.2	33.8

SERVICE CONNECTIONS					
THREE PHASE			SINGLE PHASE		
	L1	L2	L3	L1	L2
	1-4	2-5	3-6	1-3-5	2-4-6

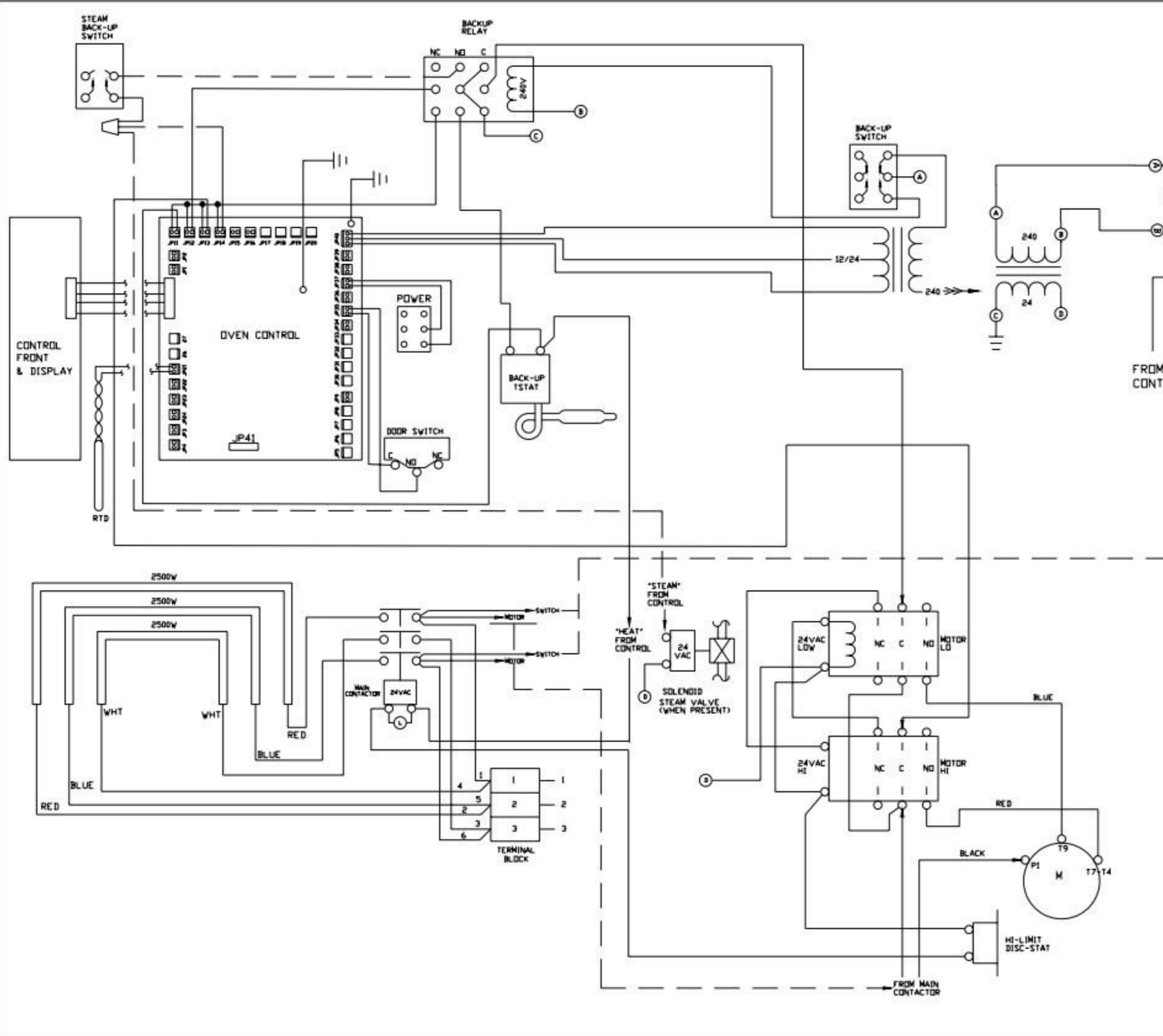
PLATINUM



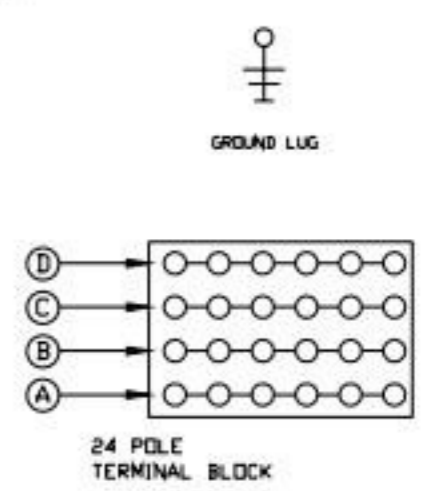
QTY	ITEM	PART NUMBER	DESCRIPTION / MATERIAL
LANG MANUFACTURING			
DR: SRC DATE: 2-24-88		TITLE: W/D EH PT WITH 2 SPEED	
CK: DATE:		MOTOR 208/240VAC	
TOLERANCES FRACTIONS DECIMALS ± 1/64 .X ± .05 ANGLES .XX ± .03 ± .5° .XXX ± .015 UNLESS OTHERWISE SPECIFIED DIMENSIONS ARE IN INCHES		NEXT HIGHER ASSY.	SHEET
SCALE: TO FIT		1 OF 1	DRAWING NUMBER
			61111-148
			REV B

OPTIONAL

REVISION BLOCK						
REV	ECN NO.	DESCRIPTION	DR:	MFG	ENG	DATE



- JP11 = HEAT
- JP12 = HI SP MOTOR
- JP13 = LO SP MOTOR
- JP14 = OPT STEAM
- JP21 = RTD
- JP35 = DOOR SW
- JP37 = ON-OFF
- GP3 = CHASSIS GROUND
- GP4 = CHASSIS GROUND
- JP41 = RS232 CONNECTOR



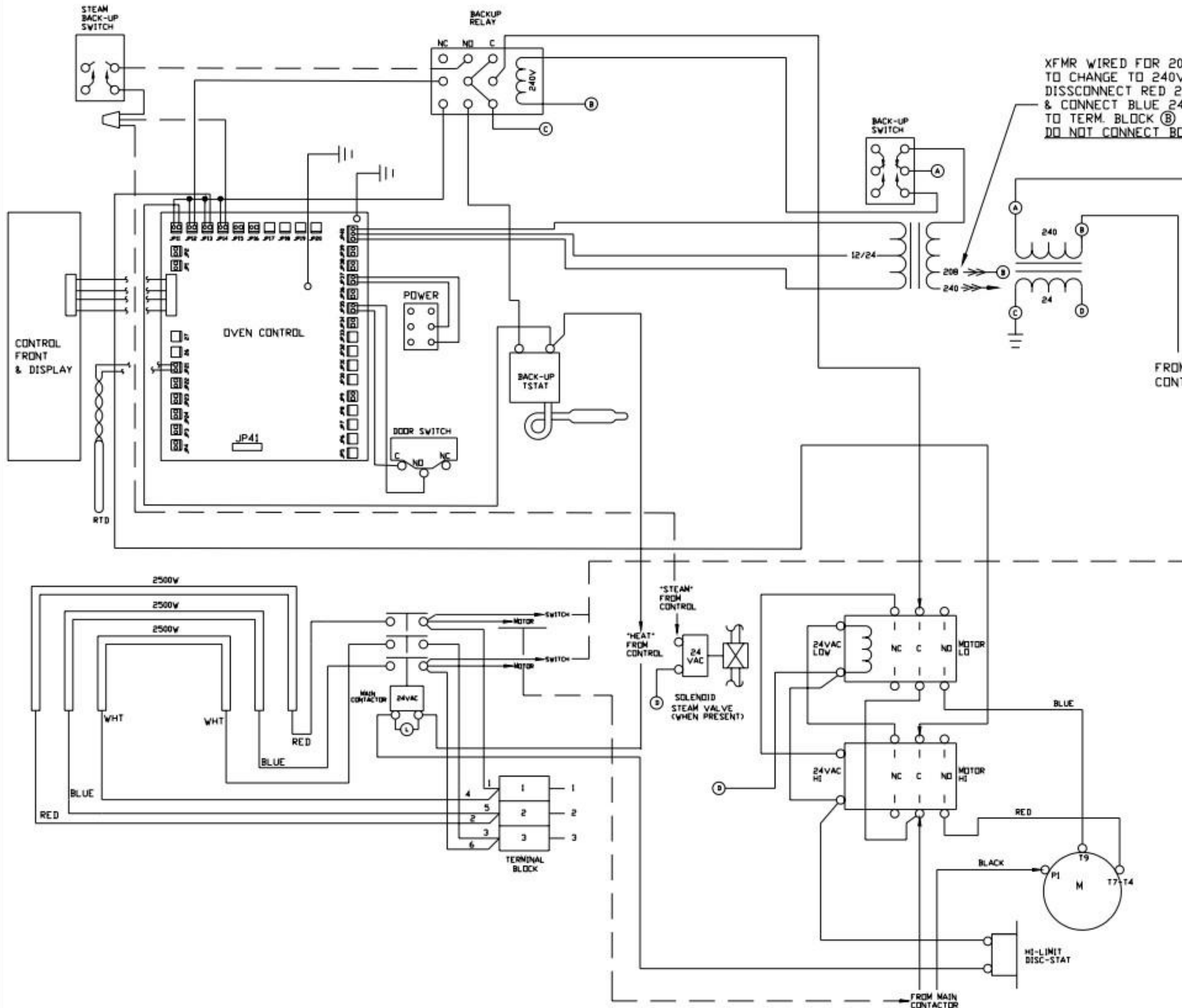
	VOLTS	KW			TOTAL	AMPS			
		L1-L2	L2-L3	L3-L1		L1	L2	L3	1 PHASE
EH	480	2.5	2.5	3.1	8.1	6.02	6.02	6.74	9.75

SERVICE CONNECTIONS				
THREE PHASE			SINGLE PHASE	
L1	L2	L3	L1	L2
1-4	2-5	3-6	1-3-5	2-4-6

PURPLE-PLUS

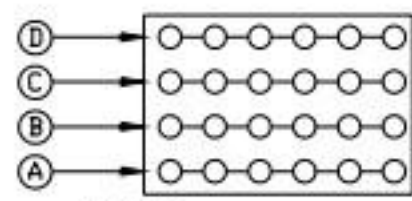
QTY	ITEM	PART NUMBER	DESCRIPTION / MATERIAL
LANG MANUFACTURING			
DR: SRC DATE: 11/9/00		TITLE: W/D 480V EH PP	
CK: FJD DATE:		MOTOR 480VAC	
TOLERANCES FRACTIONS DECIMALS ± 1/64 .X ± .05 ANGLES .XX ± .03 ± .5° .XXX ± .015 UNLESS OTHERWISE SPECIFIED DIMENSIONS ARE IN INCHES		NEXT HIGHER ASSY.	SHEET
SCALE: TO FIT		DRAWING NUMBER	
		61111-168	
		REV	
		A	

REVISION BLOCK						
REV	ECN NO.	DESCRIPTION	DR:	MFG	ENG	DATE
		MOVED BLUE AND WHITE WIRES	DM			



XFMR WIRED FOR 208VOLTS
TO CHANGE TO 240V
DISSCONNECT RED 208 LEAD
& CONNECT BLUE 240 LEAD
TO TERM. BLOCK (B)
DO NOT CONNECT BOTH

- JP11 = HEAT
- JP12 = HI SP MOTOR
- JP13 = LO SP MOTOR
- JP14 = OPT STEAM
- JP21 = RTD
- JP35 = DOOR SW
- JP37 = ON-OFF
- GP3 = CHASSIS GROUND
- GP4 = CHASSIS GROUND
- JP41 = RS232 CONNECTOR



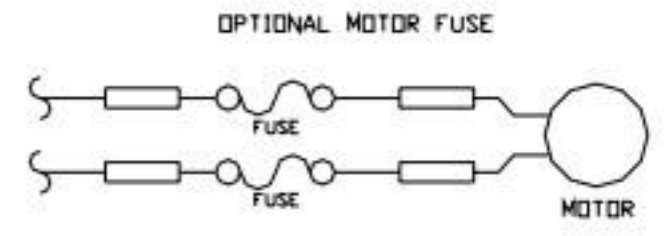
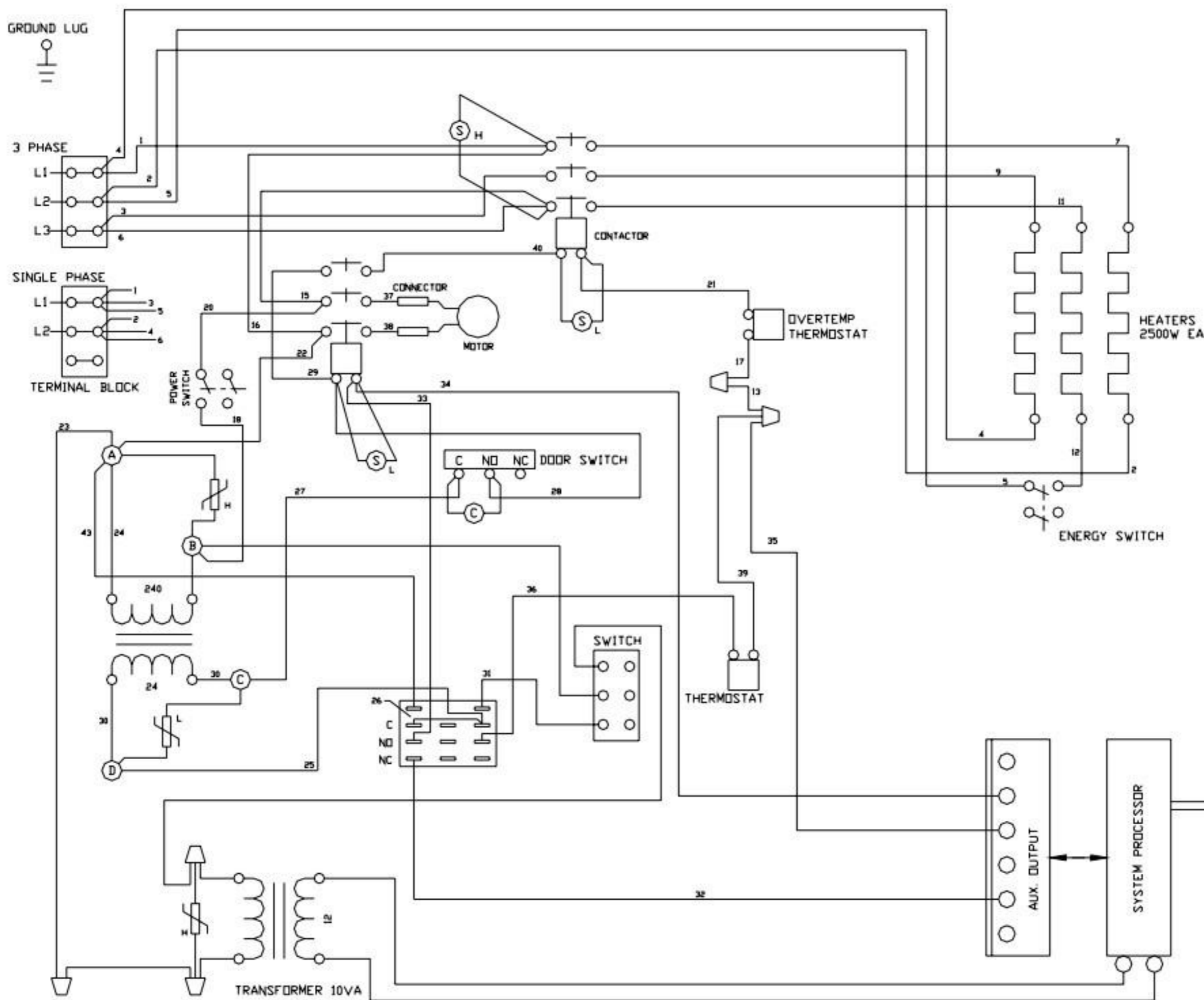
	VOLTS	KW				AMPS			
		L1-L2	L2-L3	L3-L1	TOTAL	L1	L2	L3	I PHASE
EH	208	2.5	2.5	3.1	8.1	23.3	20.8	23.3	40
EH	240	2.5	2.5	3.1	8.1	20.2	18.0	20.2	33.8

SERVICE CONNECTIONS					
THREE PHASE			SINGLE PHASE		
	L1	L2	L3	L1	L2
	1-4	2-5	3-6	1-3-5	2-4-6

PURPLE-PLUS

QTY	ITEM	PART NUMBER	DESCRIPTION / MATERIAL
LANG MANUFACTURING			
DR: SRC DATE: 2-24-98		TITLE: W/D EH PP WITH 2 SPEED	
CK: F&D DATE: 3-19-98		MOTOR 208/240VAC	
TOLERANCES FRACTIONS DECIMALS ± 1/64 .X ± .05 ANGLES .XX ± .03 ± .5' .XXX ± .015 UNLESS OTHERWISE SPECIFIED DIMENSIONS ARE IN INCHES		NEXT HIGHER ASSY.	SHEET
SCALE: TO FIT		1 OF 1	DRAWING NUMBER
			61111-147
			REV
			A

REVISION BLOCK						
REV	ECN NO.	DESCRIPTION	DR:	MFG	ENG	DATE
E		REMOVED SNUBBER	SRC			3-5-98

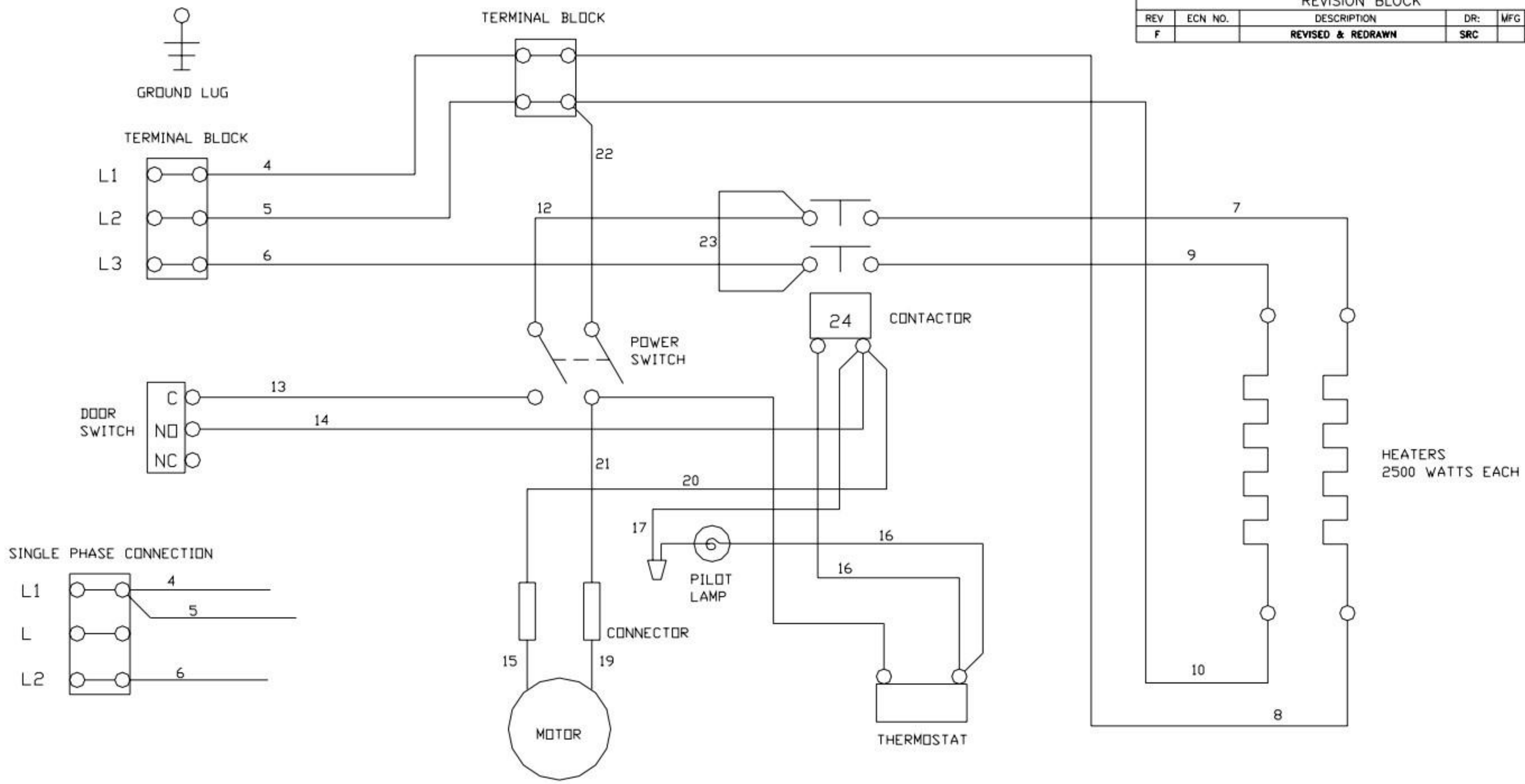


- (S) SNUBBER
- (C) CAPACITOR
- 47Z1
- ZHR14X43I

QTY		ITEM	PART NUMBER	DESCRIPTION / MATERIAL
LANG MANUFACTURING				
DR: SRC		DATE: 10-6-97		TITLE: EHS-C 208/240VAC
CK: FJD		DATE: 10-7-97		WITH BACKUP THERMOSTAT
<small>TOLERANCES FRACTIONS DECIMALS ± 1/64 .X ± .06 ANGLES .XX ± .03 ± .5" .XXX ± .015 UNLESS OTHERWISE SPECIFIED DIMENSIONS ARE IN INCHES</small>				
SCALE: TO FIT		NEXT HIGHER ASSY.	SHEET	DRAWING NUMBER
		1 OF 1		61111-39
				REV E

KW				AMPS							
				208V 3 PHASE			240V 3 PHASE			SINGLE PHASE	
L1-L2	L2-L3	L3-L1	TOTAL	L1	L2	L3	L1	L2	L3	208V	240V
2.5	2.5	2.8	7.8	22.1			19.1			37.5	32.5

REVISION BLOCK						
REV	ECN NO.	DESCRIPTION	DR:	MFG	ENG	DATE
F		REVISED & REDRAWN	SRC			12-15-97



KW				AMPS							
				208V 3 PHASE			240V 3 PHASE			SINGLE PHASE	
L1-L2	L2-L3	L1-L3	TOTAL	L1	L2	L3	L1	L2	L3	208V	240V
0.0	3.1	2.5	5.6	12.0	14.9	23.3	10.4	12.9	20.2	26.9	23.3

QTY	ITEM	PART NUMBER	DESCRIPTION / MATERIAL
LANG MANUFACTURING			
DR: SRC DATE: 12-15-97		TITLE: WIRING DIAGRAM	
CK: DATE:		EHS-T 208/240V 5.3 KW	
TOLERANCES FRACTIONS DECIMALS ± 1/64 .X ± .05 ANGLES .XX ± .03 ± .5° .XXX ± .010 UNLESS OTHERWISE SPECIFIED DIMENSIONS ARE IN INCHES		NEXT HIGHER ASSY.	SHEET
SCALE: TO FIT		DRAWING NUMBER	
		REV	
		1 OF 1	
		61111-24	
		F	