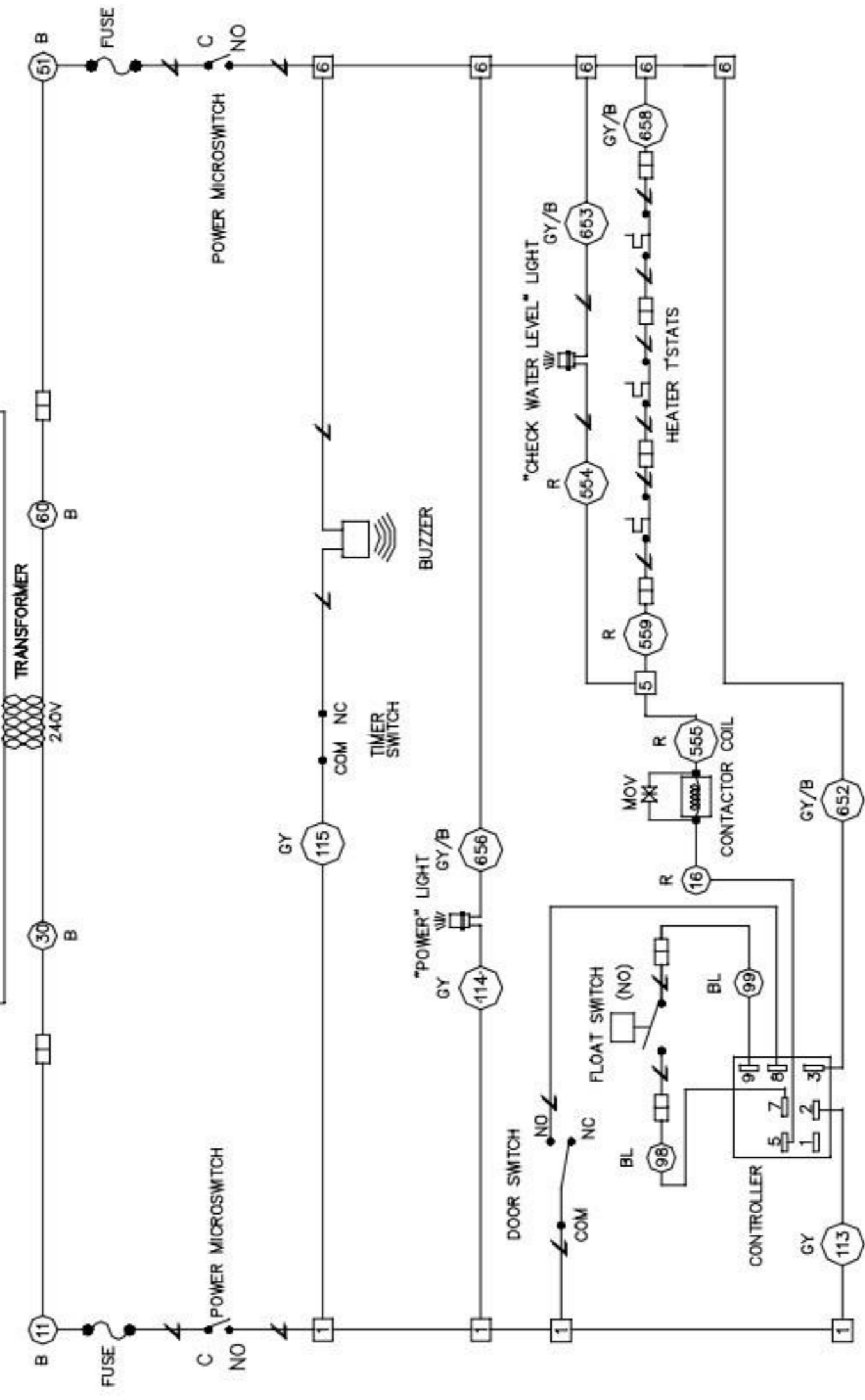
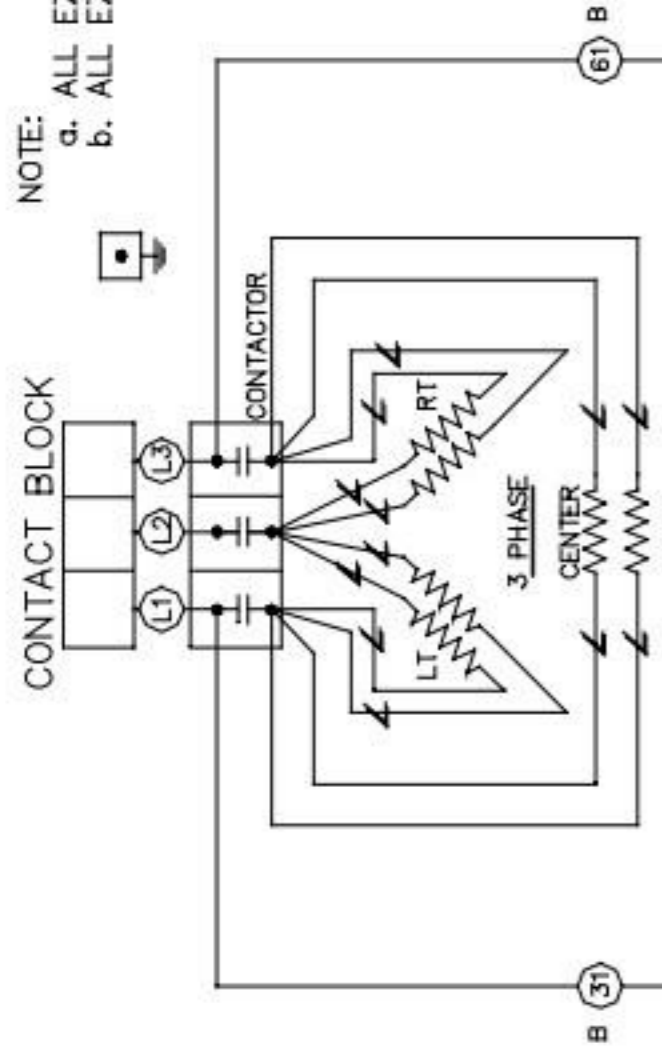


**SINGLE PHASE**  
**⚠ WARNING**

THIS UNIT REQUIRES A KIT TO BE FIELD CONVERTED FROM THREE-PHASE TO SINGLE-PHASE OR VICE-VERSA. CONSULT FACTORY FOR PHASE CHANGES.

NOTE:  
a. ALL EZ-3 ELEMENTS ARE 1500 W EACH  
b. ALL EZ-5 ELEMENTS ARE 1834 W EACH



CONTROLLER: MODE OF OPERATION

FLLOAT	DOOR	CONTACTOR
CLOSED *	CLOSED	CLOSED
OPEN	CLOSED	OPEN
X	OPEN *	OPEN
OPEN TO CLOSE	CLOSED	CLOSE FOR 10 SEC.
X	OPEN TO CLOSE	CLOSE FOR 60 SEC.

X = DONT CARE

\* = IF SW1 REMAINS CLOSED FOR LONGER THAN 10 SEC. LOAD 2 WILL REMAIN CLOSED UNTIL IT OPENS. OR UNTIL SW2 OPENS.

\*\* = IF SW2 REMAINS CLOSED FOR LONGER THAN 60 SEC. AND SW1 IS CLOSED, THEN LOAD 2 REMAINS CLOSED.

IF SW2 RE-OPENS BEFORE THE 60 S. THEN LOAD 2 IS TURNED OFF AND THE TIMER RESET.

**KEY**

- CONNECTOR OR PLUG
- ⌞ COMPONENT LEAD
- TERMINAL BLOCK CONNECTIONS
- WIRE NUMBERS

**EZ-3 SPECIFICATION**

VOLTAGE	480
PHASE	1 3
AMPERAGE	19 11

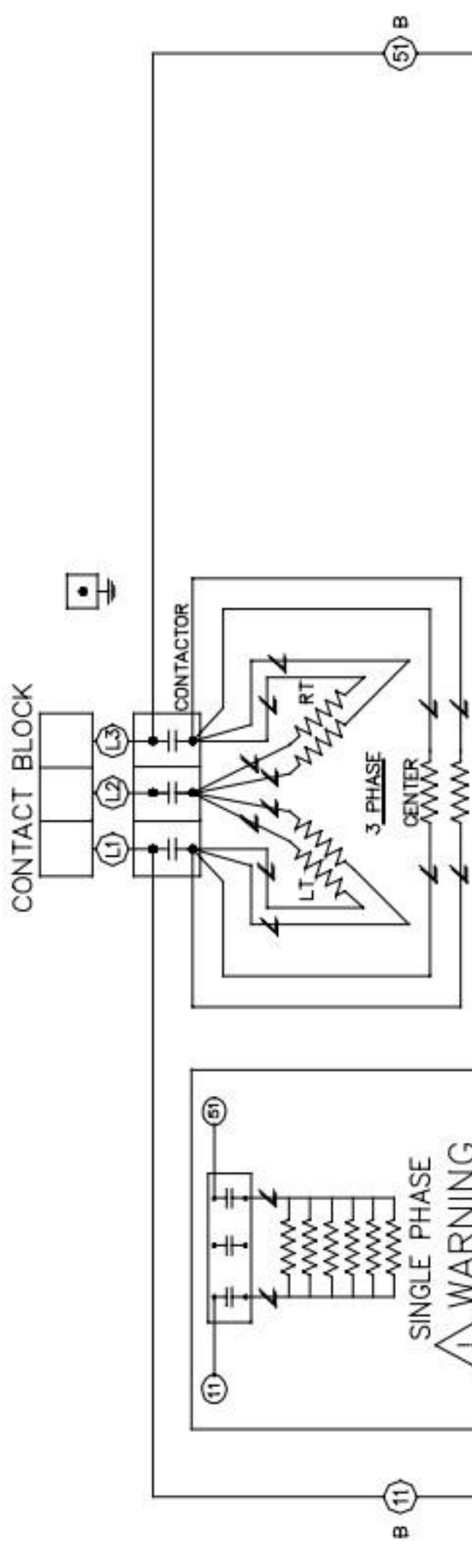
**EZ-5 SPECIFICATION**

VOLTAGE	480
PHASE	1 3
AMPERAGE	25 15



WIRING DIAGRAM  
480V  
MODEL EZ-3 & EZ-5

P/N  
1182134



**WARNING**

THIS UNIT REQUIRES A KIT TO BE FIELD CONVERTED FROM THREE-PHASE TO SINGLE-PHASE OR VICE-VERSA. CONSULT FACTORY FOR PHASE CHANGES.

**NOTE:**

a. ALL EZ-3 ELEMENTS ARE 1500 W EACH

b. ALL EZ-5 ELEMENTS ARE 1834 W EACH

- KEY**
- CONNECTOR OR PLUG
  - ∟ COMPONENT LEAD
  - TERMINAL BLOCK CONNECTIONS
  - WIRE NUMBERS

CONTROLLER: MODE OF OPERATION

FLOAT	DOOR	CONTACTOR
CLOSED *	CLOSED	CLOSED
OPEN	CLOSED	OPEN
X	OPEN *	OPEN
OPEN TO CLOSE	CLOSED	CLOSE FOR 10 SEC.
X	OPEN TO CLOSE	CLOSE FOR 60 SEC.

X = DONT CARE

\* = IF SW1 REMAINS CLOSED FOR LONGER THAN 10 SEC. LOAD 2 WILL REMAIN CLOSED UNTIL IT OPENS. OR UNTIL SW2 OPENS.

\*\* = IF SW2 REMAINS CLOSED FOR LONGER THAN 60 SEC. AND SW1 IS CLOSED, THEN LOAD 2 REMAINS CLOSED. IF SW2 RE-OPENS BEFORE THE 60 S. THEN LOAD 2 IS TURNED OFF AND THE TIMER RESET.

**EZ-3 SPECIFICATIONS**

VOLTAGE	208	240	220
PHASE	1	3	1
AMPERAGE	46	27	44

**EZ-5 SPECIFICATIONS**

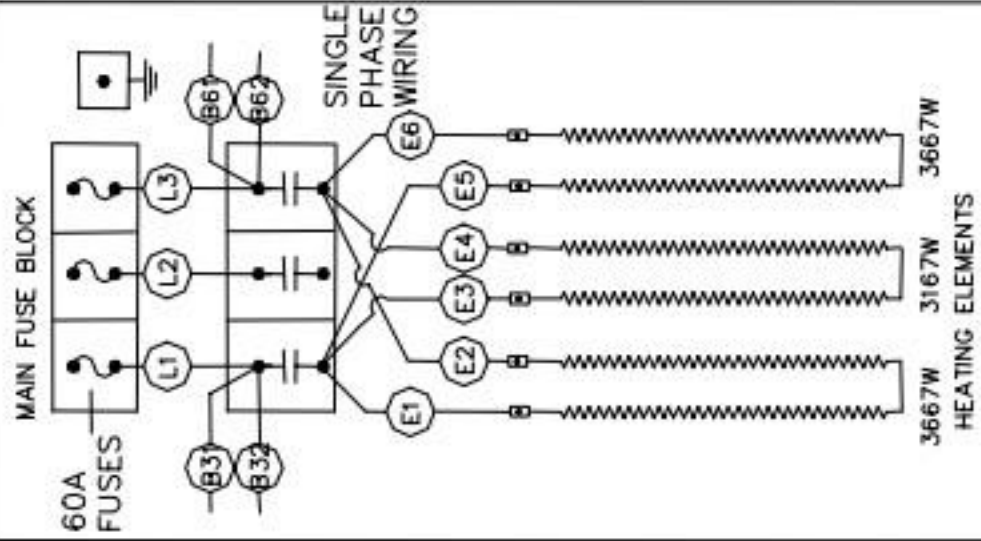
VOLTAGE	208	240	220
PHASE	1	3	1
AMPERAGE	57	33	49

**WIRING DIAGRAM**

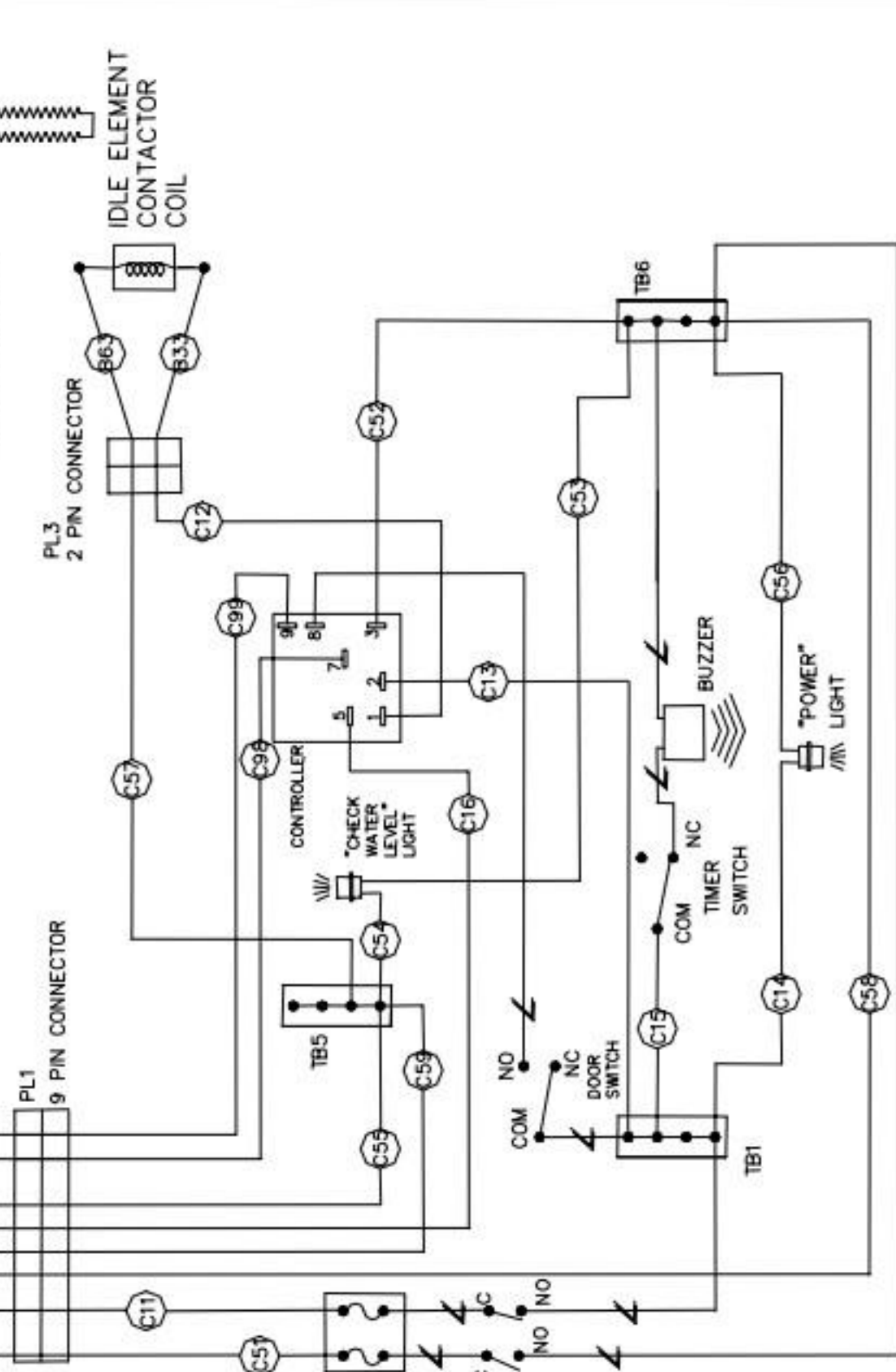
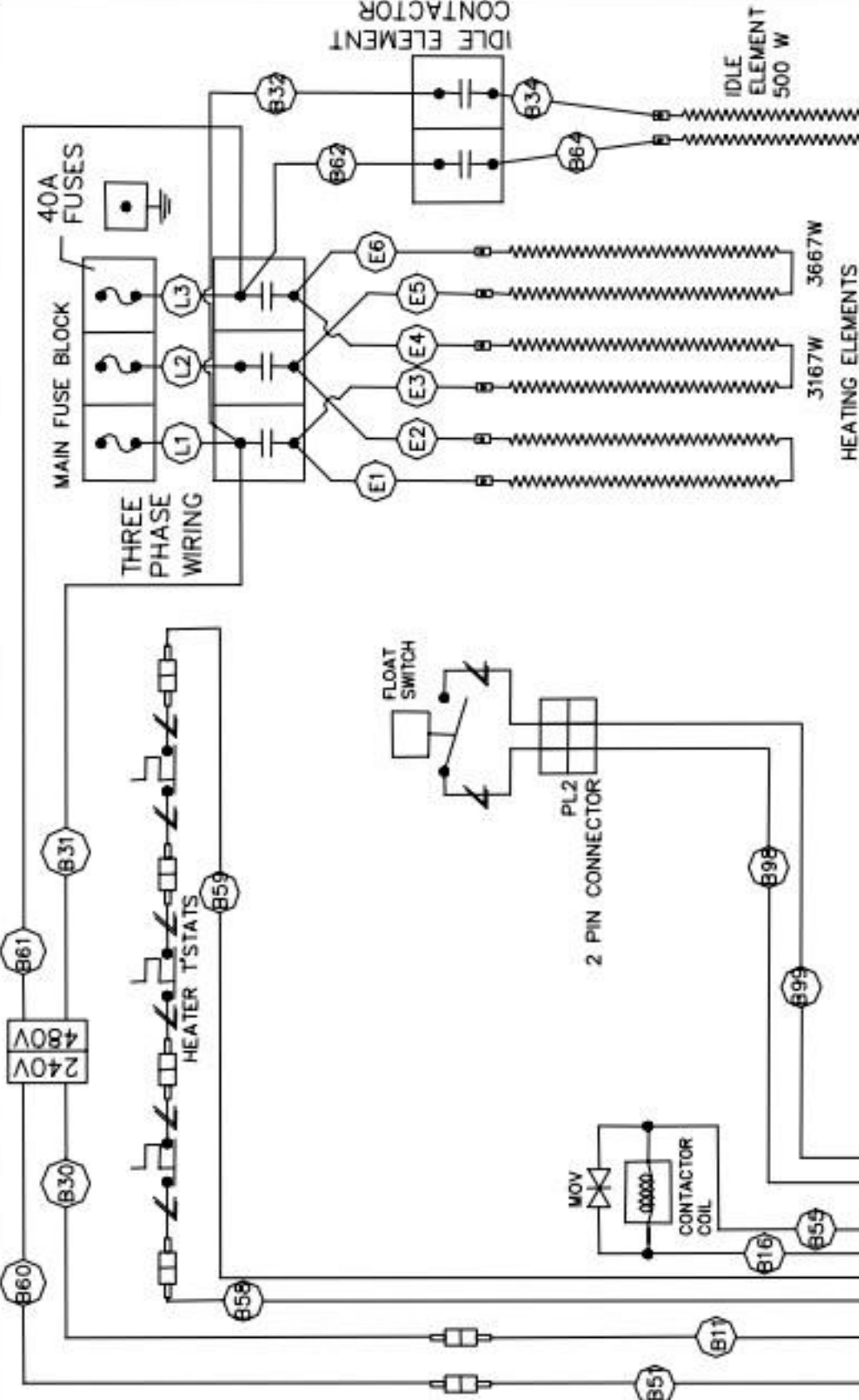
208-240V 60HZ / 220V 50HZ  
MODEL EZ-3 & EZ-5



P/N  
1182133



**WARNING**  
 THIS UNIT REQUIRES NEW FUSES TO BE FIELD CONVERTED FROM THREE-PHASE TO SINGLE-PHASE OR VICE-VERSA. CONSULT FACTORY FOR PHASE CHANGES.



- MULTI-PIN CONNECTOR
- COMPONENT LEAD
- TERMINAL BLOCK CONNECTIONS
- WIRE NUMBERS

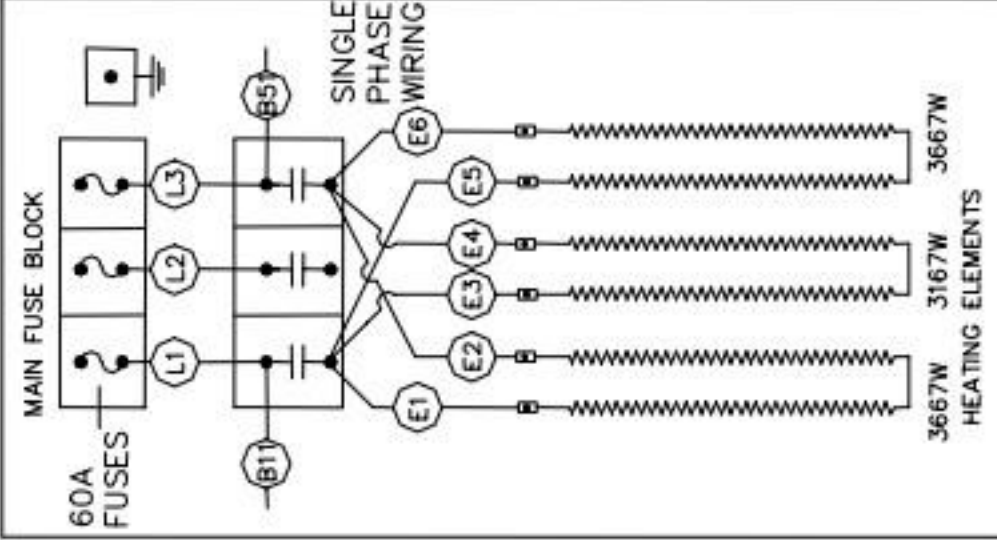
- PLUG CONNECTORS

VOLTAGE	480
PHASE	1
AMPERAGE	25
	15

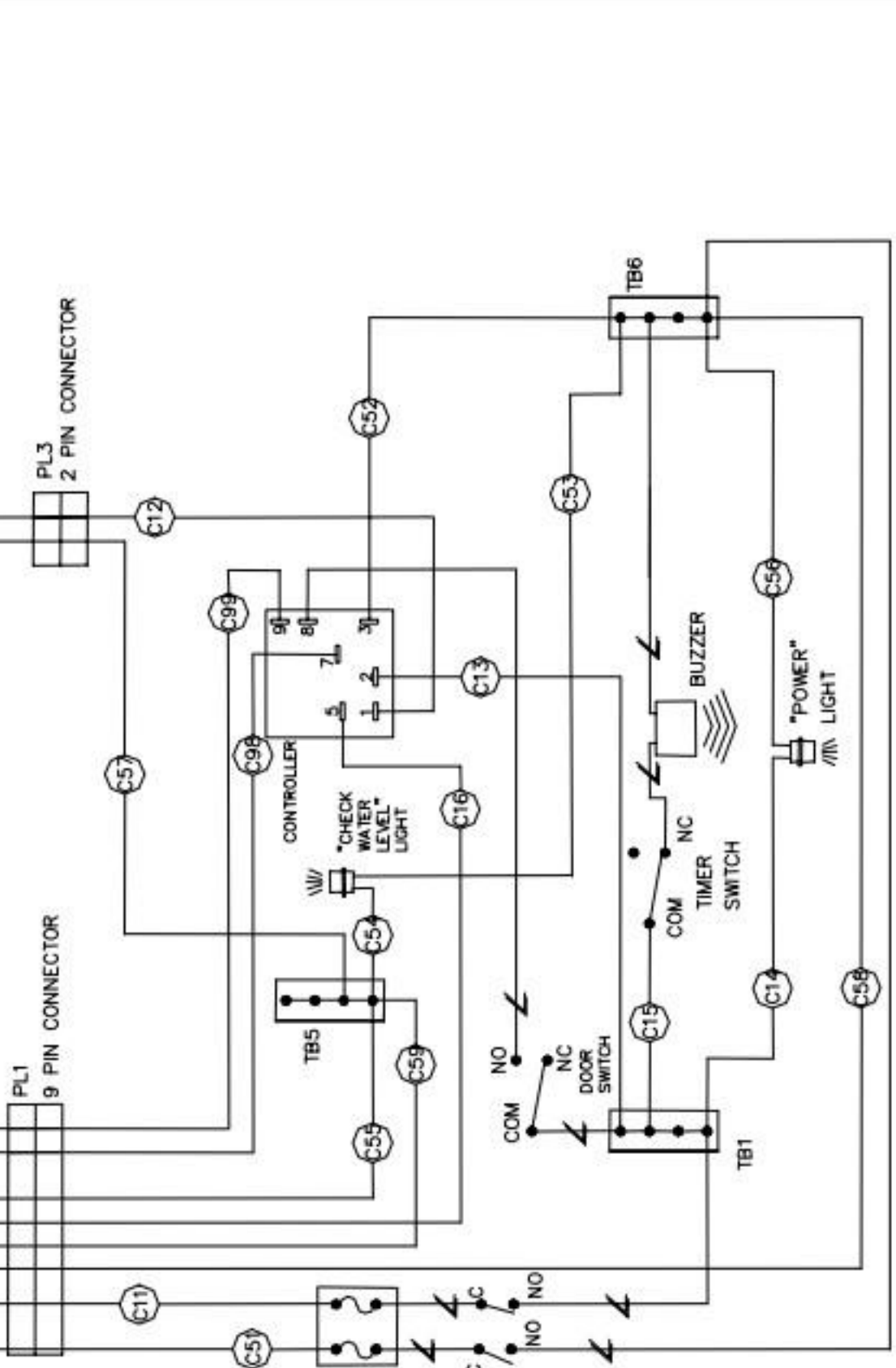
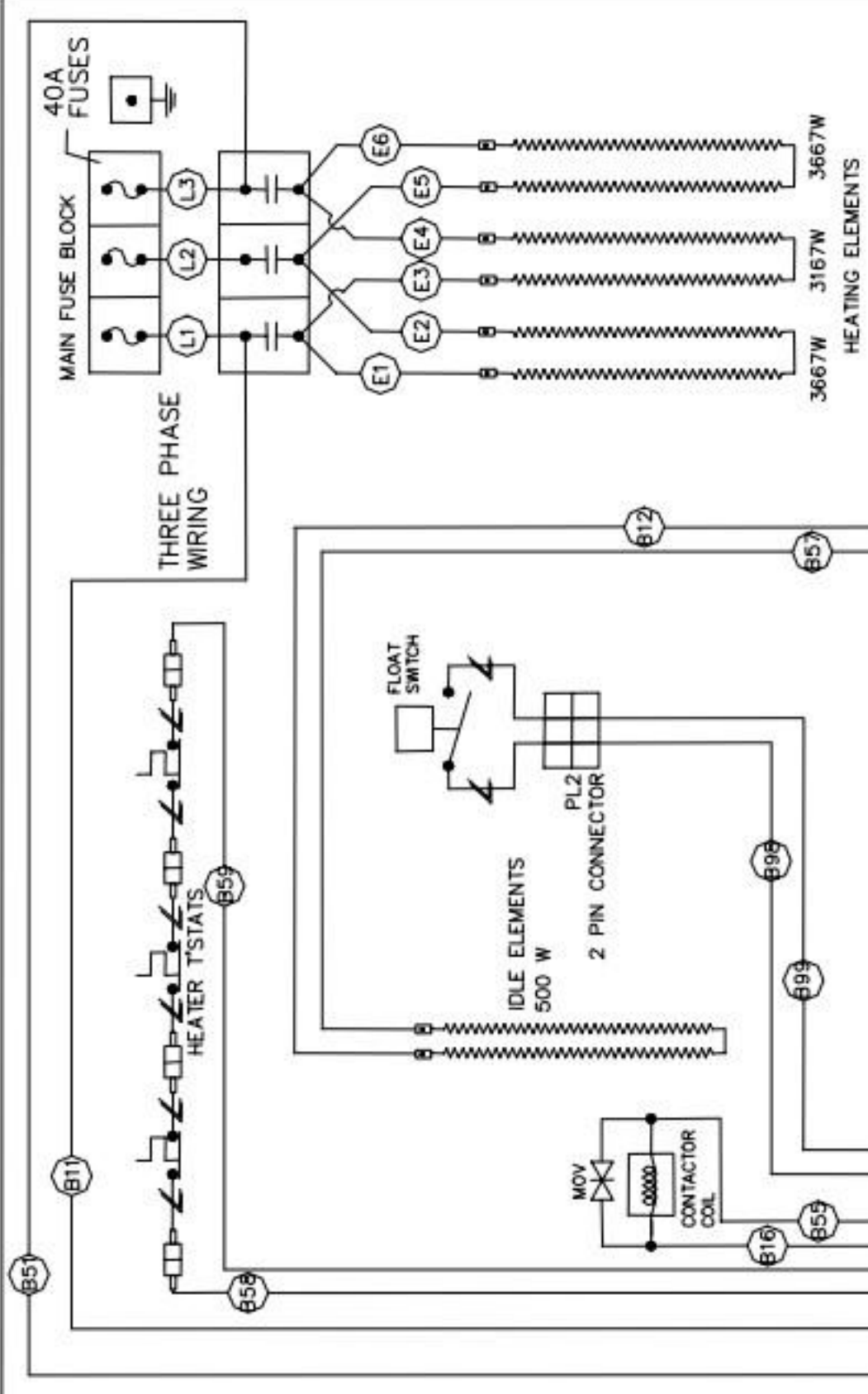
**southbend**

WIRING DIAGNOSTIC MODEL EZ-5  
 480V 60HZ/50HZ

P/N  
 1181040



**WARNING**  
 THIS UNIT REQUIRES NEW FUSES TO BE FIELD CONVERTED FROM THREE-PHASE TO SINGLE-PHASE OR VICE-VERSA. CONSULT FACTORY FOR PHASE CHANGES.



- MULTI-PIN CONNECTOR
- COMPONENT LEAD
- TERMINAL BLOCK CONNECTIONS
- WIRE NUMBERS

- PLUG CONNECTORS

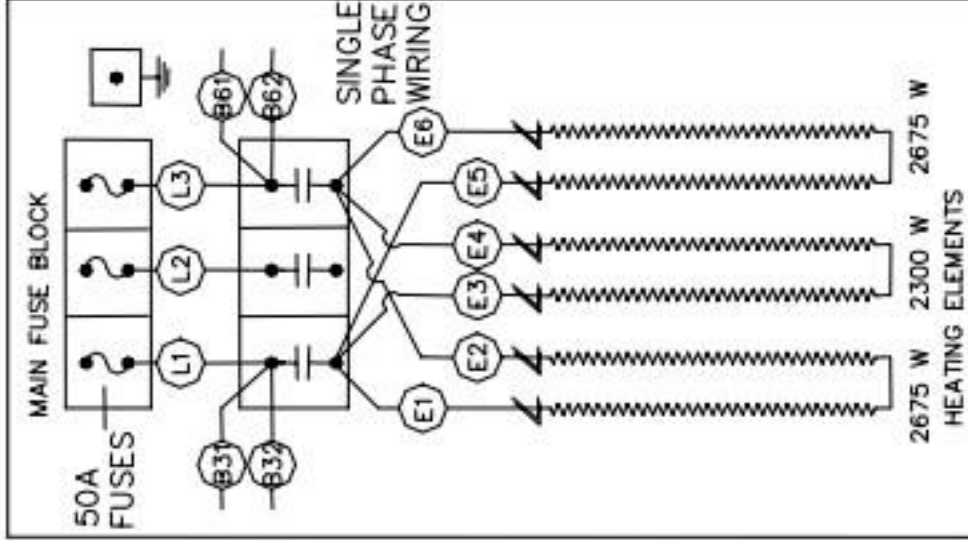
VOLTAGE	208	240	220
PHASE	1	3	1
AMPERAGE	57	33	49
	29	29	54
			31

**southbend**

WIRING DIAGNOSTIC MODEL EZ-5  
 208-240V 60HZ / 220V 50HZ

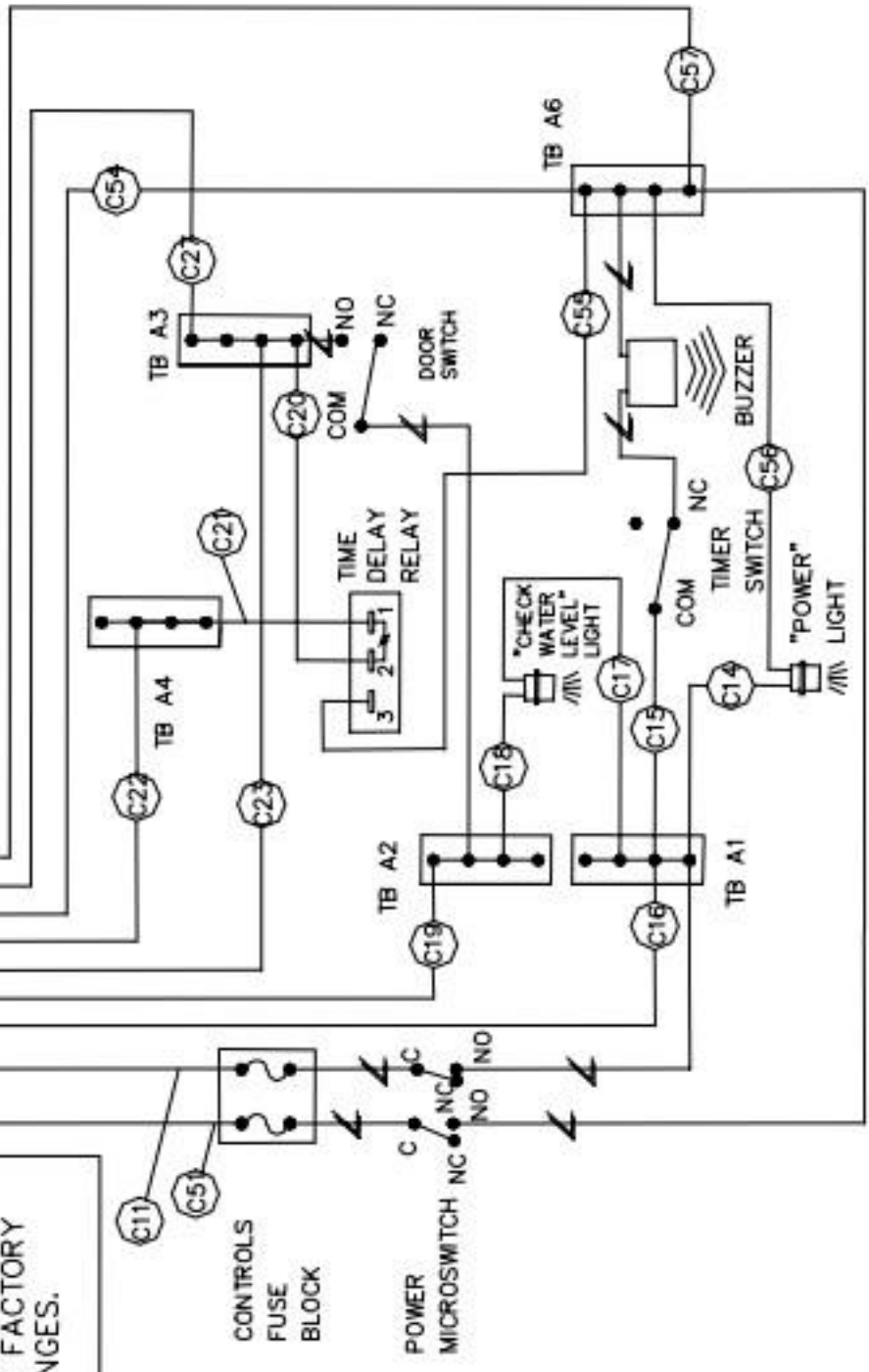
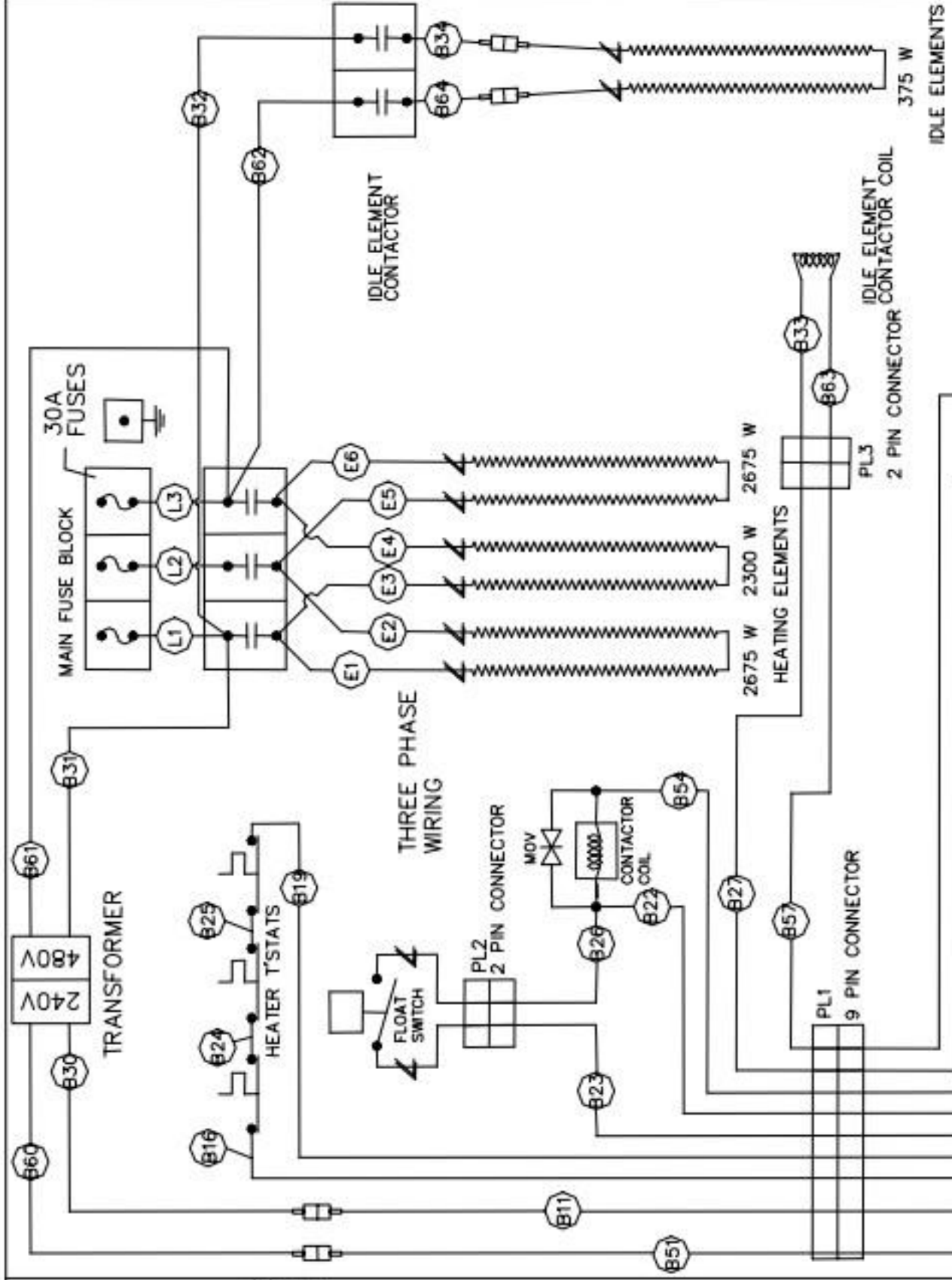
P/N  
 1181037





**WARNING**

THIS UNIT REQUIRES A KIT TO BE FIELD CONVERTED FROM THREE-PHASE TO SINGLE-PHASE OR VICE-VERSA. CONSULT FACTORY FOR PHASE CHANGES.



- MULTI-PIN CONNECTOR
- COMPONENT LEAD
- TERMINAL BLOCK CONNECTIONS
- WIRE NUMBERS

- PLUG CONNECTOR

JDC 01-98

VOLTAGE	480
PHASE	1
AMPERAGE	35
	21

**southbend**

WIRING DIAGRAM MODEL EZ-3  
480V 60HZ/50HZ

P/N  
1178650

