

Parts Catalog



GG36TG

Gas Cooking Equipment Griddle

Model: GG36TG

8/07/23 Rev B

IMPORTANT!

TO EXPEDITE SHIPMENT OF PARTS, ALWAYS SPECIFY MODEL, REV,
PART NUMBER, AND SERIAL NUMBER OF UNIT.

GLOBE FOOD EQUIPMENT COMPANY

2215 East River Road
Dayton, Ohio 45439

Parts Department

Toll Free 1-800-745-6238 · Fax (937) 290-0585

E-Mail: info@globefoodequip.com

Website: www.globefoodequip.com

Not for resale

Table of Contents

Description

Page

GG36TG Thermostatic Griddle Components

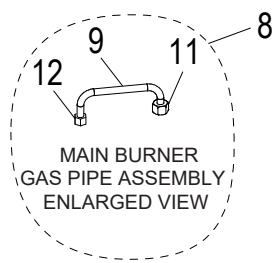
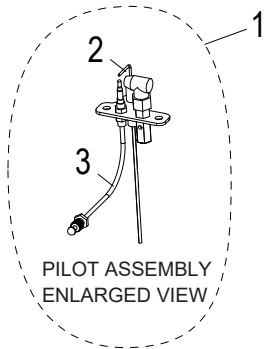
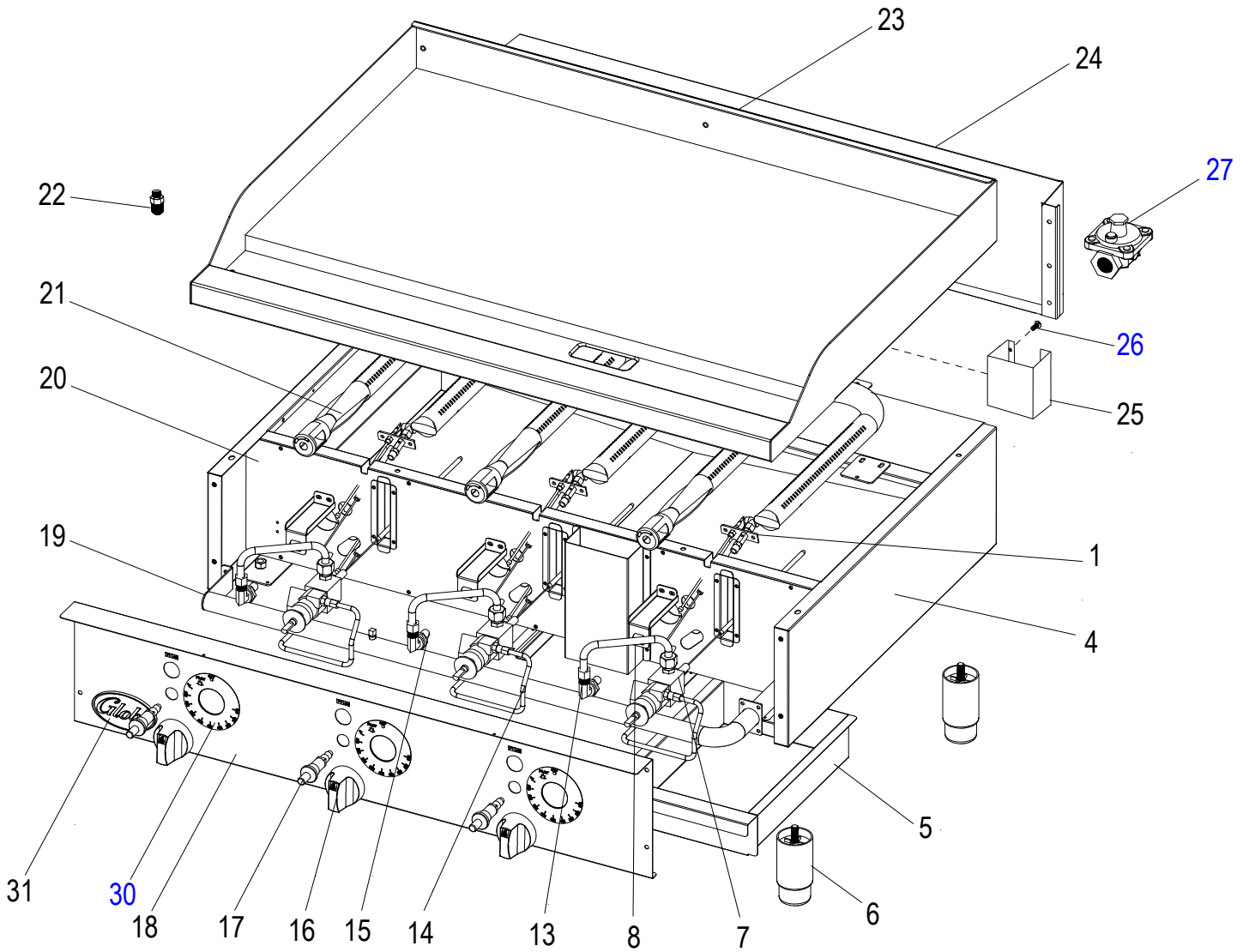
4

GG36TG Gas Orifice Elevation Chart

6



GG36TG Thermostatic Griddle Components





GG36TG Thermostatic Griddle Components

| Item | Part Number | Description | Qty | Serial Number |
|------|--------------|----------------------------------|-----|---------------|
| 1 | U00677 | Pilot Assembly (Incl. items 2-3) | 3 | |
| 2 | U02483 | Thermocouple | 1 | |
| 3 | U03991290123 | Piezo Ignition Assembly | 1 | |
| 4 | | Main Enclosure, Lower | 1 | |
| 5 | U00811 | Drip Tray | 1 | 1615053137 -> |
| 6 | U01021005165 | Foot | 4 | |
| 7 | U01201068510 | Thermostatic Valve | 3 | |
| 8 | U01079 | Gas Pipe Kit (Incl. items 9-12) | 3 | 1614032261 -> |
| 9 | | Main pipe | 1 | |
| 10 | | Copper Cover Not Shown | 2 | |
| 11 | | Nut M16 | 1 | |
| 12 | | Nut M14 | 1 | |
| 13 | U01080 | Injector Connection | 3 | |
| 14 | U01500 | Pilot Pipe Kit | 3 | 1614030121 -> |
| 15 | U01201068641 | Hood Orifice #41 | 3 | |
| 15 | U01201068651 | Hood Orifice #51 | 3 | |
| 15 | U06051470839 | Hood Orifice #43 | 1 | |
| 15 | U06051470824 | Hood Orifice #52 | 1 | |
| 15 | U06051470869 | Hood Orifice #44 | 1 | |
| 15 | U06051470899 | Hood Orifice #45 | 1 | |
| 15 | U06051470884 | Hood Orifice #53 | 1 | |
| 15 | U06051470929 | Hood Orifice #47 | 1 | |
| 16 | U01021005188 | Control Knob | 3 | |
| 17 | U03991290085 | Piezo Ignition Button | 3 | |
| 18 | | Control Panel | 1 | |
| 19 | | Manifold Assembly | 1 | |
| 20 | | Isolating Plate, Front | 1 | |
| 21 | U06051470672 | "U" Shaped Burner | 3 | 1614030121 -> |
| 22 | U01201068513 | Pilot Injector (NG) | 3 | |
| 22 | U01201068512 | Pilot Injector (LPG) | 3 | |
| 23 | | Griddle Plate Assembly | 1 | |
| 24 | U01031 | Rear Panel Purchase with * | 1 | 1614030121 -> |
| 25 | U01032 | Bracket * | 1 | 1614030121 -> |
| 26 | U01075 | Screw * | 4 | 1614030121 -> |
| 27 | U01221069501 | Regulator | 1 | |
| 28 | U02575 | Lower Isolation Plate Not Shown | 1 | |
| 29 | | Copper Cover Not Shown | 1 | |
| 30 | U01920 | Overlay | 1 | |
| 31 | U01021005383 | Globe Badge | 1 | |



GG36TG Gas Orifice Elevation Chart

| Model | Rated Input Per Burner (BTU/HR) | Elevation | | Elevation | |
|---------|---------------------------------|------------------------------------|------------------------------------|--|--------------------------------------|
| | | Nat | LP | Nat | LP |
| | | 0-2000 ft | | 2000 - 4000 ft | |
| | | Nat | LP | Nat | LP |
| Griddle | 30000 | U01201068641 (#41) | U01201068651 (#51) | U06051470839 (#43) | U06051470824 (#52) |
| | | Elevation | | Elevation | |
| | | 4000 - 6000 ft | | 6000 - 8000 ft | |
| | | Nat | LP | Nat | LP |
| Griddle | 30000 | U06051470869 (#44) | U06051470824 (#52) | U06051470899 (#45) | U06051470884 (#53) |
| | | Elevation | | Pilot For Thermostatic Griddle Only | |
| | | 8000 - 10000 ft | | All Elevations | |
| | | Nat | LP | Nat | LP |
| Griddle | 30000 | U06051470929 (#47) | U06051470884 (#53) | U01201068513 (.45mm) | U01201068512 (.25mm) |