

Parts Catalog



GG60TG

Gas Cooking Equipment Griddle

Model: GG60TG

08/07/2023 Rev. C

IMPORTANT!

TO EXPEDITE SHIPMENT OF PARTS, ALWAYS SPECIFY MODEL, REV,
PART NUMBER, AND SERIAL NUMBER OF UNIT.

GLOBE FOOD EQUIPMENT COMPANY

2215 East River Road
Dayton, Ohio 45439

Parts Department

Toll Free 1-800-745-6238 · Fax (937) 290-0585

E-Mail: info@globefoodequip.com

Website: www.globefoodequip.com

Not for resale

Table of Contents

Description

Page

GG60TG Thermostatic Griddle Components

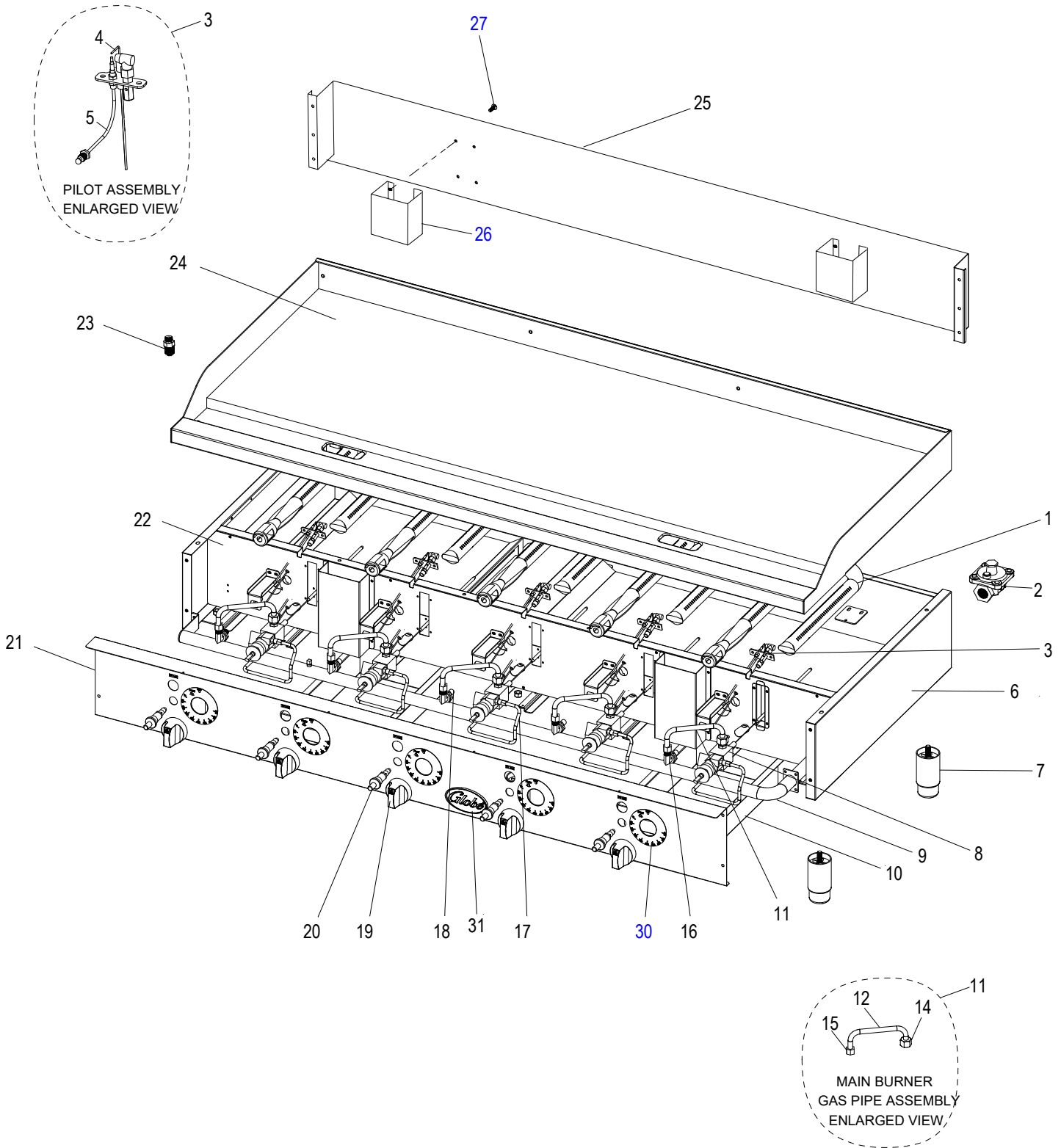
4

GG60TG Gas Orifice Elevation Chart

6



GG60TG Thermostatic Griddle Components





GG60TG Thermostatic Griddle Components

Item	Part Number	Description	Qty	Serial Number
1	U06051470672	"U" Shaped Burner	5	
2	U01221069501	Regulator	1	
3	U00677	Pilot Assembly (Incl. items 4-5)	5	
4	U02483	Thermocouple	1	
5	U03991290123	Piezo Ignition Assembly	1	
6		Main Enclosure, Lower	1	
7	U01021005165	Foot	4	
8	U01201068510	Thermostatic Valve	5	
9		Manifold Assembly	1	
10	U00811	Drip Tray	2	
11	U01079	Gas Pipe Kit (Incl. items 12-15)	5	1616107872 ->
12		Main pipe	1	
13		Copper Cover (Not Shown)	2	
14		Nut M16	1	
15		Nut M14	1	
16	U01080	Injector Connection	5	
17	U01500	Pilot Pipe Kit	5	1616107872 ->
18	U01201068641	Hood Orifice #41	5	
18	U01201068651	Hood Orifice #51	5	
18	U06051470839	Hood Orifice #43	5	
18	U06051470824	Hood Orifice #52	5	
18	U06051470869	Hood Orifice #44	5	
18	U06051470899	Hood Orifice #45	5	
18	U06051470884	Hood Orifice #53	5	
18	U06051470929	Hood Orifice #47	5	
19	U01021005188	Control Knob	5	
20	U03991290085	Piezo Ignition Button	5	
21	U03033	Front Panel	1	
22		Isolating Plate, Front	1	
23	U01201068513	Pilot Injector (NG)	5	
23	U01201068512	Pilot Injector (LPG)	5	
24		Griddle Plate Assembly	1	
25	U01501	Rear Panel Purchase with *	1	
26	U01032	Bracket *	2	
27	U01075	Screw *	8	
28		Isolating Plate, Lower (Not Shown)	1	
29		Isolating Plate, Lower (Not Shown)	1	
30	U01920	Overlay	1	
31	U01021005383	Globe Badge	1	
32		Copper Cover (Not Shown)	1	



GG60TG Gas Orifice Elevation Chart

Model	Rated Input Per Burner (BTU/HR)	Elevation		Elevation	
		Nat	LP	Nat	LP
		0-2000 ft		2000 - 4000 ft	
		Nat	LP	Nat	LP
Griddle	30000	U01201068641 (#41)	U01201068651 (#51)	U06051470839 (#43)	U06051470824 (#52)
		Elevation		Elevation	
		4000 - 6000 ft		6000 - 8000 ft	
		Nat	LP	Nat	LP
Griddle	30000	U06051470869 (#44)	U06051470824 (#52)	U06051470899 (#45)	U06051470884 (#53)
		Elevation		Pilot For Thermostatic Griddle Only	
		8000 - 10000 ft		All Elevations	
		Nat	LP	Nat	LP
Griddle	30000	U06051470929 (#47)	U06051470884 (#53)	U01201068513 (.45mm)	U01201068512 (.25mm)