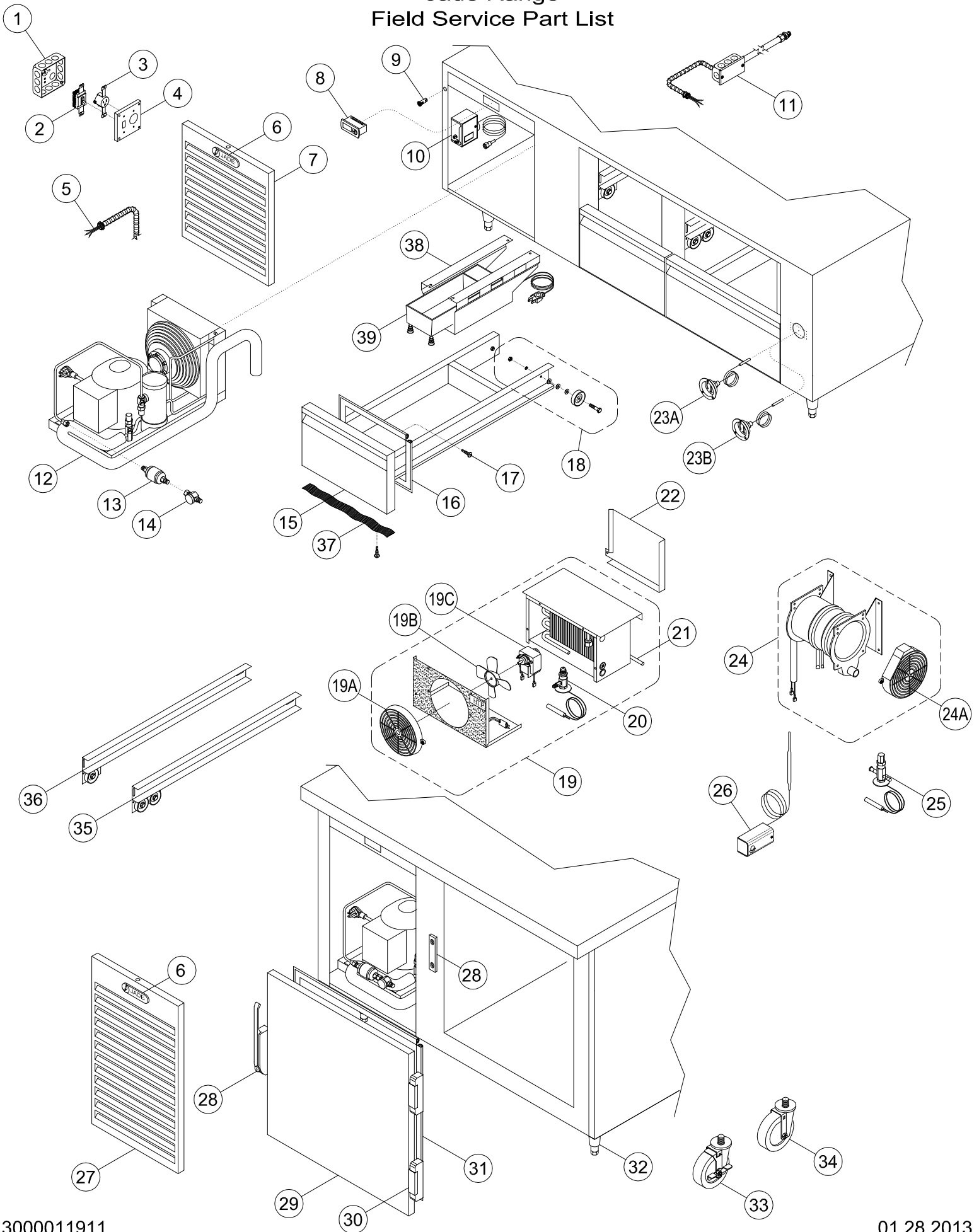


TITAN - JRLH, JRCH - REFRIGERATION SECTION

Jade Range

Field Service Part List



TITAN - JRLH, JRCH - REFRIGERATION SECTION

ITEM	DESCRIPTION	PART #	LIST
1	J-BOX 4" SQ X 1.5DP 190 RACO	2029800000	
2	SWITCH, 120V 20AMP SPST TOGGLE	2030800000	
3	RECEPTACLE 110V TWIST LOCK	2034900000	
4	450 BOWERS, 1/20 RECEPTICLE COVER	2030100000	
5	WIRE HARNESS	3000011897	
6	LOGO, JADE	2100000078	
7	LOUVERED ACCESS PANEL - JRLH **SPECIFY MODEL/DIMENSION**	~	
8	CONTROL, PMD RF ONMI-STAT DGTL	3000011823	
9	INDICATOR LIGHT, ZENER DIODE (APPLE B)	3000010380	
10	CONTROL LOW PRESSURE RANCO	3000011898	
11	HARD WIRE KIT (SERVICE ONLY)	2900010985	
12	CONDENSER **SPECIFY MODEL/REFRIGERANT TYPE**	~	
13	DRIER C-032 1/4 SMALL FLARE	4812700000	
14	INDICATOR, LIQUID SA-12FM	4811500000	
15	DRAWER **SPECIFY MODEL/DIMENSION**	~	
16	DRAWER GASKET	~	
	TOP DRAWER GASKET - 28 1/2 X 6 3/4	2100010397	
	DRAWER GASKET - 28 1/2 X 7 3/4	2100010444	
	TOP MEGA DRAWER GASKET - 41 3/8 X 6 3/4	2100010442	
	BOTTOM MEGA DRAWER GASKET - 41 3/8 X 7 3/4	2100010441	
	DRAWER GASKET - 15 5/8 X 7 3/4	2100004886	
	DRAWER GASKET - 23 5/8 X 7 3/4	2100004887	
17	SCREW, #8 X 1/2 PN, PH, ZN, TK	3416200000	
18	WHEEL ASSY. COMPLETE W/MOUNTING HDWE	7240700000	
	A BOLT, 1/4-20 X 1-1/4 HEX S/S	3460800000	
	B WHEEL S/S 2" NO 08-106	7211800000	
	C WASHER, 1/4 MSLW S/S	3460900000	
	D NUT, 1/4-20 HX S/S	3461100000	
	E WASHER, 1/4 FLAT SS	3461000000	
19	COIL, TT18 - 8RP RUSSEL R (1 FAN / 800 BTU)	6811100000	
	COIL, TT18 - 13RP R (2 FAN / 1300 BTU)	6811200000	
	A FAN GUARD (COVER), RUSSEL COIL - 6 3/4" (w/out tabs) 8" (w/ tabs)	4817200000	
	B BLADE, FAN RUSSEL COIL - 6"	4816900000	
	C MOTOR, 115V RUSSEL COIL - 120V, 60HZ, 70A	4816600000	
20	EXPANSION VALVES FOR EVAPORATOR TYPE SYSTEM	~	
	A VALVE, EXPANSION NIV 1/4 C R22	4813400000	
	B VALVE, EXPANSION R404	3000010878	
	C VALVE, EXPANSION NIR 1/4 C R404	4812100000	
	D VALVE, SPORLAN FBJ-1/4-C 134	3000010475	
21	TUBING, 5/8 OD X 1/2 ID CLEAR	5614200000	
22	AIR FIN, RH, JRLH (service only)	2100007783	
	AIR FIN, LH, JRLH (service only)	2100007784	
23	A THERMOMETER DIAL	4811600000	
	B THERMOMETER DIGITAL	3000011975	
24	COOL REFRIGERATION TUBE 19"	3000011477	
	EXPANSION VALVE 404 (FOR USE W/19" COOL TUBE)	3000010878	
	COOL REFRIGERATION TUBE 10" (EXP. VALVE INCLUDED)	3000011478	
	A COOL TUBE FAN MOTOR ASSY	3000011543	

Continue next page

