

2M-W358; ACCU-TEMP Spark Ignition Gas Griddle

Model: 224T thru 272T GAS ACCU-TEMP GRIDDLE

Lang[®]

SK2581

Rev. A

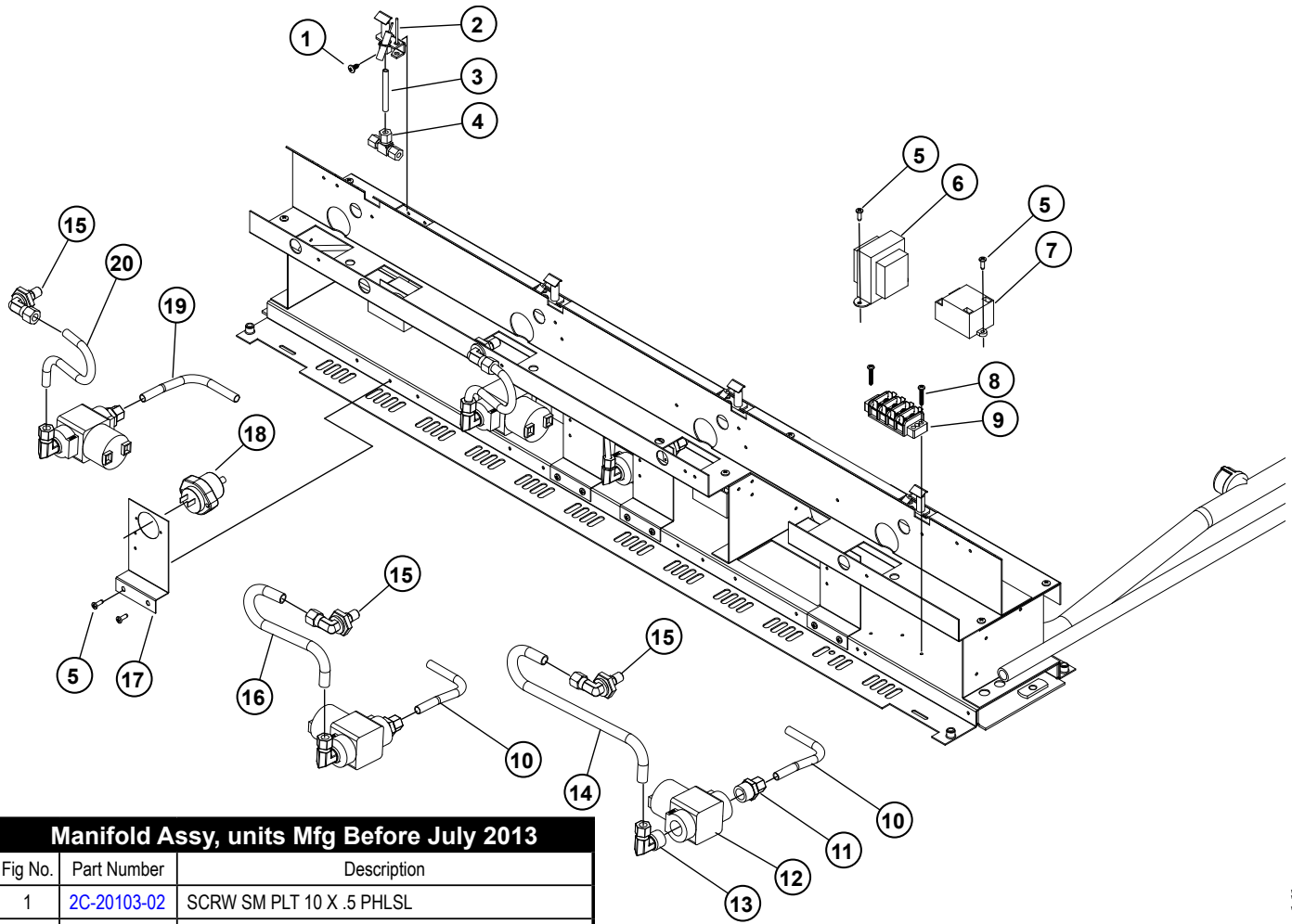
7/19/13

PARTS LIST

March 03, 2015, Rev. I

Model: 224T Accu-Temp Gas Griddle				
Fig No.	Part Number	Qty	Description	Application
1	K9-EZG-460	1	PLATE ASY 2' ACU	224T-NAT
	K9-EZG-460-01		PLATE ASY 2" ACU W/AGC	224THG-LP, 224THG-NAT, 224THG-LPMG, 224THG-NATMG, 224TH-NATMG, 224TH-LPMG
	K9-EZG-460-011		PLATE ASSY 2' CHROME	224TCHG-NAT
	K9-EZG-460-3		PLATE ASY 2' ACU w/XLH-12	224T-NATLR, 224THE-LP, 224THE-NAT, 224TH-NATCD, 224TH-NATOC
	K9-EZG-460-60		PLATE ASY 2' ACU - CHROME	224TC
	K9-EZG-460-C3		PLATE ASY 2' ACU CHROME	224TCHE-NAT
	K9-EZGR-487-W22		PLATE ASSY 2' ACCU-REAR	224TR
2	K9-EZG-547	2	FRONT PLATE HOLD DOWN	
3	K9-EZG-232-01	2	WELD BURNER #42	
4	2V-80501-04	1	GAS REG 3/4X3/4 CLS I	NAT
	2V-80501-05		GAS REG 3/4X3/4 CLS II	LP
5	K9-EZG-400	1	END BURNER BAFFLE	
6	K9-EZG-397	1	CENTER BURNER BAFFLE D	
9	K9-EZG-382-2	1	GRIDDLE FLUE 2' UNIVERSAL	
10	K9-EZG-371-13	2	SHIELDEND EZG STD&W/XLH12	
11	K9-EZG-371-03	2	SHIELDMNT EZG STD&W/XLH12	
13	2A-Z0314	4	FOOT, 4" DIE CAST	224TCHE-NPE
	2A-Z0314-1		FOOT, 4" DIE CAST w/ RUBBER BASE	
14	2T-30402-27	2	STAT ADJ 450 DEG 48 PILOT	
15	2E-30303-06	1	SWT TOG ON-ON DPDT BLK	
16	Z1-70-07-0343	1	SWITCH GUARD	
17	2I-05-07-0013	1	BOOT SWITCH	
18	Y9-31601-07-1	1	PILOT LT 28V W/TIN CLIP	
19	2C-20101-77	4	SCRW MS PLT 6-32 X .25	
20	Y9-70701-19 (Black), Y9-70701-19-2 (Red)	2	KNOB & PLATE ASSY 450° D	
21	2R-70700-01	2	KNOB BLNK UNIVERSAL BLACK	
22	2R-70702-08	2	DIAL PLATE 450o STAT	
23	K9-60301-170-1	1	DIE CAST LOGO, - MOE'S + TINN	224THG-LPMG, 224THG-NATMG, 224TH-LPMG, 224TH-NATMG
	K9-60301-43-1		LANG DIE CAST LOG + TINNERMAN	
24	K9-60102-16-2	1	CONTROL PANEL 2' EZG w/LABELS	224T (NON "MG" UNITS)
	K9-EZG-563-1		CONTROL PANEL PE 2' ACCU	224TCHE-NPE
	K9-EZG-563		CONTROL PANEL 2' ACCU	
25	2C-20101-11	4	SCRW THD MS 1/4-20X1/2	
26	2C-20103-02	38	SCRW SM PLT 10 X .5 PHLSL	
27	K9-EZG-343	1	GREASE DRAWER ASSY 2'	FRONT GUTTER
	K9-EZGR-338		SPOT GREASE DRAWER	REAR GUTTER
28	K9-EZG-349	1	GREASE DWR SLIDE ASY 2'	FRONT GUTTER
	K9-EZGR-352		SPOT BUCKET SLIDE	REAR GUTTER
29	K9-EZG-871-2	1	PANEL COVER ASSY 2' ACU-EZG	CORRECTIONAL PACKAGE
NI	2E-31107-02	1	CORD SET 14/3 X 8' 15A	
NI	2R-70703-03	2	CLIP KNOB HAT SHAPED	
NI	K9-50313-096	1	SHELF ASSY 2' - EZG	224TH-NATOC
NI	K9-WTGC-24	1	WORK TABLE GRIDDLE COVER	224T-LPBK
NI	2P-50100-15	1	GRIDDLE SCRAPER 12"	CROME UNITS
NI	2P-50100-15-1	-	RE-FILL REPLACEMENTS	CROME UNITS
NI	2P-50100-16	1	BOM AMI CLEANER	CROME UNITS
NI	2P-50100-17	1	20" PALMYRA BRUSH	CROME UNITS
NI	2E-EZG-713-2	1	HARNESS BURNER VALVE	MFG AFTER JULY 2013

2M-W358; ACCU-TEMP Spark Ignition Gas Griddle



Manifold Assy, units Mfg Before July 2013

Fig No.	Part Number	Description
1	2C-20103-02	SCRW SM PLT 10 X .5 PHLSL
2	K9-EZG-995	PLT LT BURNR, SEC 2, 3, 4 (except 6ft griddles) 5 & 6
	K9-EZG-996	PLT LT BRNR, SEC 1 & (4 on 6ft Grills)
3	K9-EZG-637	PILOT TUBE #1
	K9-EZG-640	PILOT TUBE #2
	K9-EZG-643	PILOT TUBE #3
	K9-EZG-650	PILOT TUBE #5
	K9-EZG-655	PILOT TUBE #9
4	2K-70101-07	BRAS TBE TEE 1/4CC
5	2C-20102-04	SCRW PHD ST 8-32X.5 PLTD
6	2E-31400-07	XFORMR120-208-240/24V40VA
7	2J-80300-03	SPRK IGNITR MODULE SM2
9	2E-30501-03	TERM STRP 4 POLE W/PUSH
10	K9-EZG-628	SOLENOID TUBE A
11	2K-70101-11	BRAS TBE UNON 3/8CC-1/2
12	2V-80502-03	SLENOID VLVE 24VAC 1/2
13	2K-70101-12	BRAS TBE ELBW 3/8CC-1/2
14	K9-EZG-671	BURNER FEED TUBE #3
15	2A-W1185	ORIFICE FITTING - 90 DEG
16	K9-EZG-668	BURNER FEED TUBE #2
17	K9-EZG-288	FLAME SWITCH MOUNT
18	2V-80506-01	FLAME SWT 24 GAS GRID &
19	K9-EZG-631	SOLENOID TUBE B
20	K9-EZG-665	BURNER FEED TUBE #1
NI	2A-45408	ORIFICE HOOD .0935 #42
NI	2A-80400-12	ORIFICE HOOS .0595 #53
NI	2A-80401-03	PILTBRNER ORIFICE .0115LP
NI	2E-40101-19	CIRBD SI TEMP CNTRL NO

Model: Selectronic & ACCU-TEMP MANIFOLD ASSY

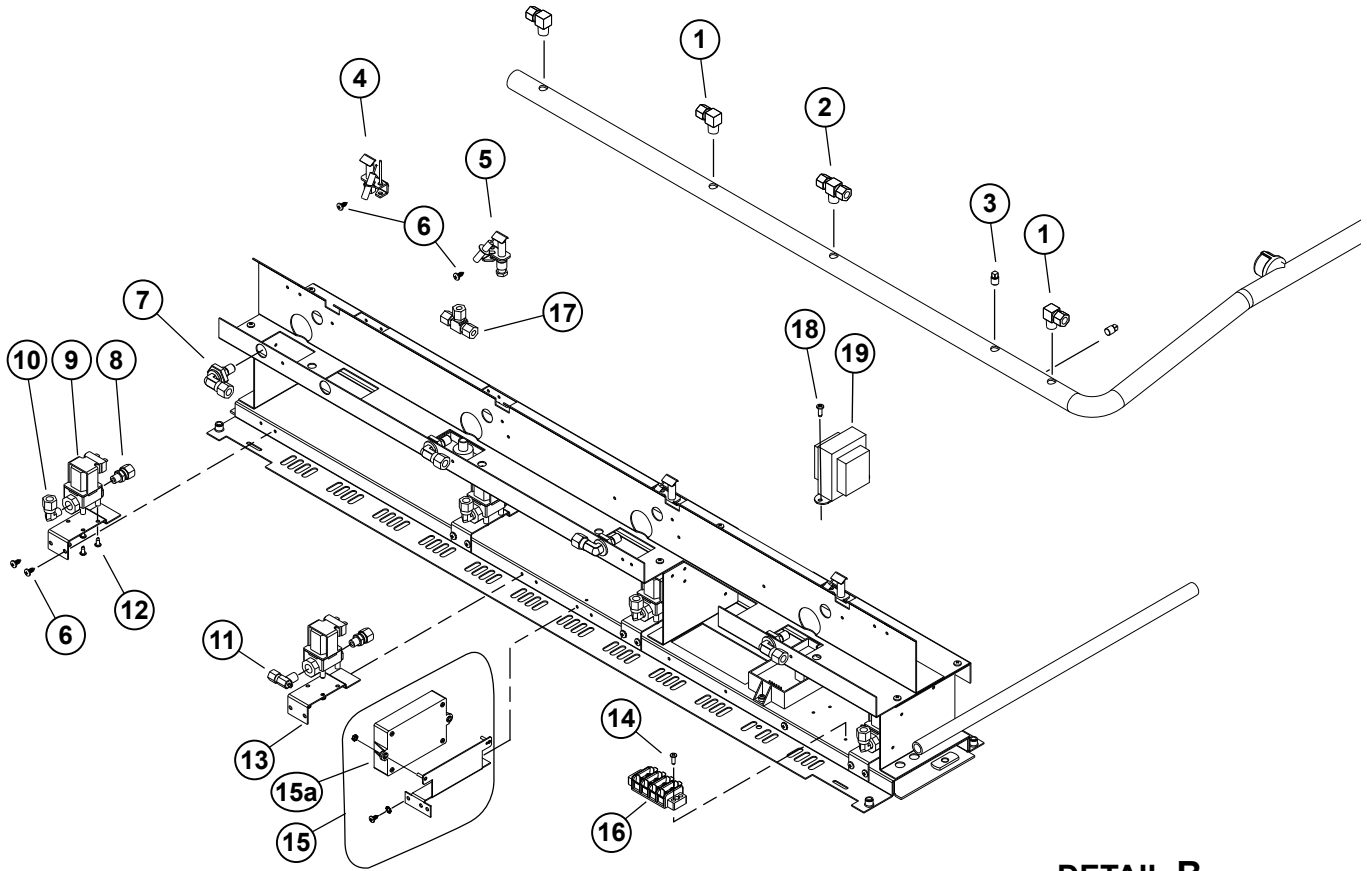
DETAIL A

(manufactured before July 2013)

Lang[®]

SK2405 Rev.A 7/18/2013

2M-W358; ACCU-TEMP Spark Ignition Gas Griddle



Manifold Assy, units Mfg After July 2013

Fig No.	Part Number	Description	Application
1	2K-70101-03	BRASBEELBOW 1/4NPT-3/8CC	
2	2K-70101-06	BRASTEE BRNCH 1/4NPTM-3/8	
3	2K-70308-01	PIPE PLUG REG 1/8 NPT BLK	
4	K9-EZG-996	PILOT ASSEMBLY, RT MOUNT	
5	K9-EZG-995	PILOT ASSEMBLY, LFT MOUNT	
6	2C-20103-02	SCRW SM PLT 10 X .5 PHLSL	
7	2A-W1185	ORIFICE FITTING - 90 DEG	
8	2K-45300	FITTING 3/8CC X 1/8NPT	
9	2V-80502-W07	VALVE SOLENOID-1/8 NPT	
10	2K-70101-124	FITTING 1/8NPT X 3/8COMP.	
11	2V-6671	VALVE-LINCOLN BRASS#3817	
12	2C-20102-08	SCRW PHD ST 8-32X.375	
13	K9-EZG-W297	BRKT,SOLENOID VALVE	
14	2C-20102-04	SCRW PHD ST 8-32X.5 PLTD	
15	PS-60101-W15	KIT,PILOT IGNITION ASSY	mfg between 7/13 & 3/15
	PS-60101-W17	KIT, PILOT IGN ASSY, MOE'S ONLY	
15a	2J-80300-W20-1	PILOT IGNITION MODULE	mfg after 3/2015
16	2E-30501-03	TERM STRP 4 POLE W/PUSH	
17	2K-70101-07	BRAS TBE TEE 1/4CC	
18	2C-20102-04	SCRW PHD ST 8-32X.5 PLTD	
19	2E-31400-07	XFORMR120-208-240/24V40VA	
NI	2K-70104-03	FLEXIBLE TUBE 3/8OD X 8	
NI	2K-80101-05	TUBE FLEX 1/4 DIA X 6 LNG	
NI	2K-Z4921	BURNER TUBE FLEX 3/8 OD	
NI	2K-Z6081	PILOT TUBE FLEX 10"	
NI	2K-Z6943	GAS LINE 1/4"D x 8"L	
NI	2K-Z6945	GAS LINE 1/4"D x 16"L BBQ	
NI	2A-45408	ORIFICE HOOD #42 GRID NAT	NAT
NI	2A-80400-12	ORIFICE HOOD .0595 #53, LP	LP

DETAIL B
(manufactured after July 2013)

Lang[®]

SK2671 Rev. D 5/22/2015