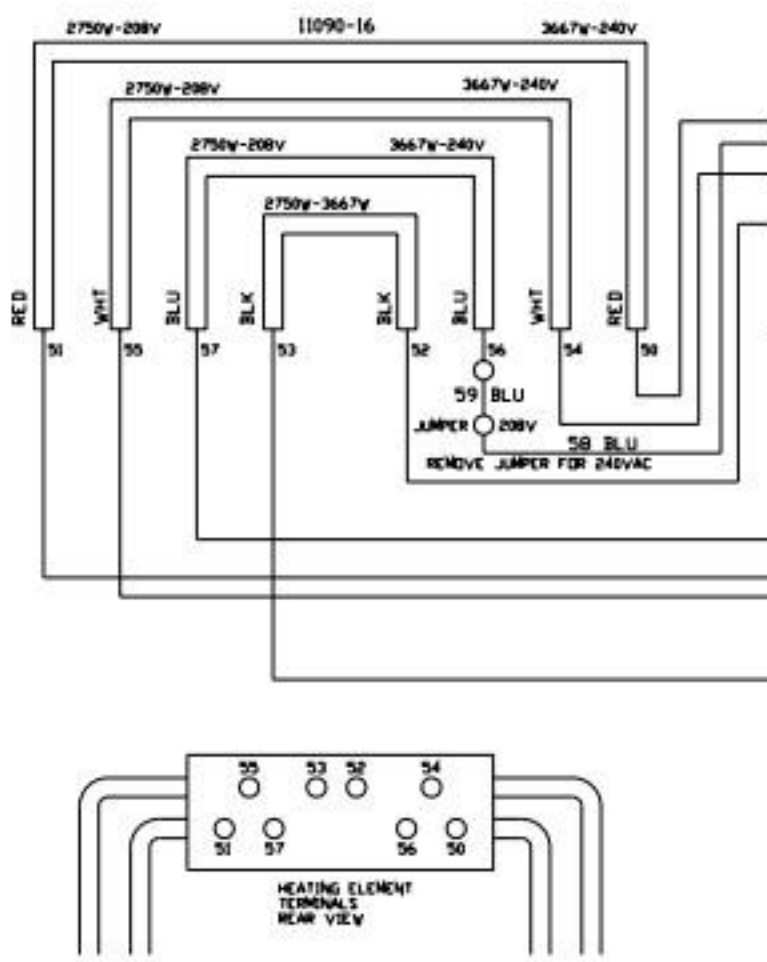
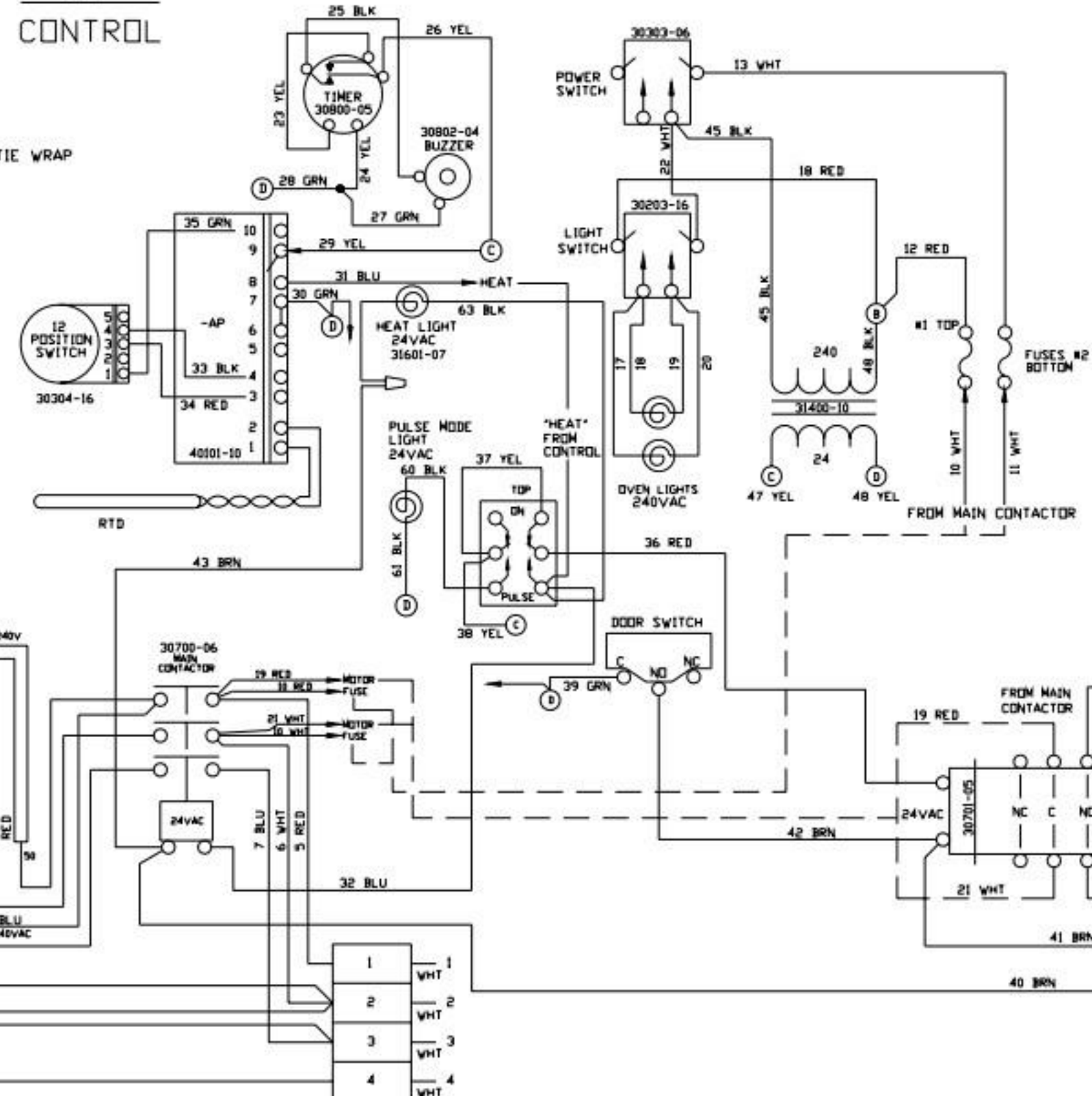
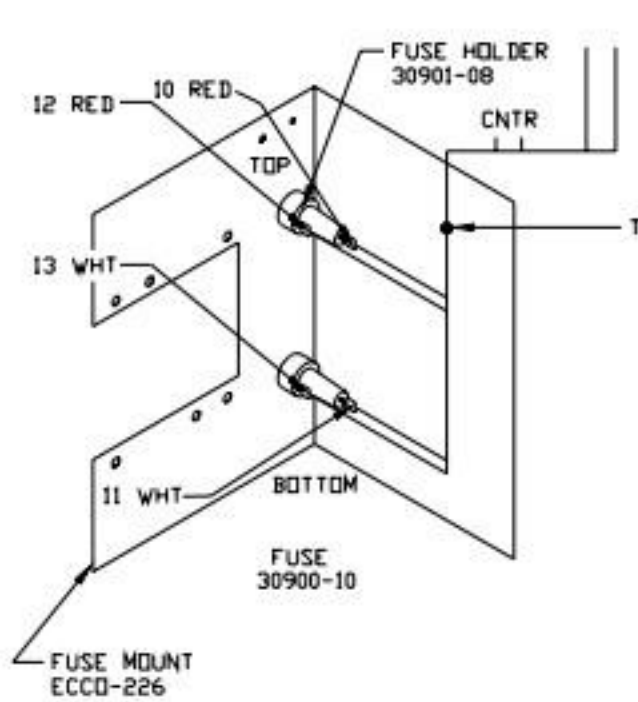


**-AP
CONTROL**

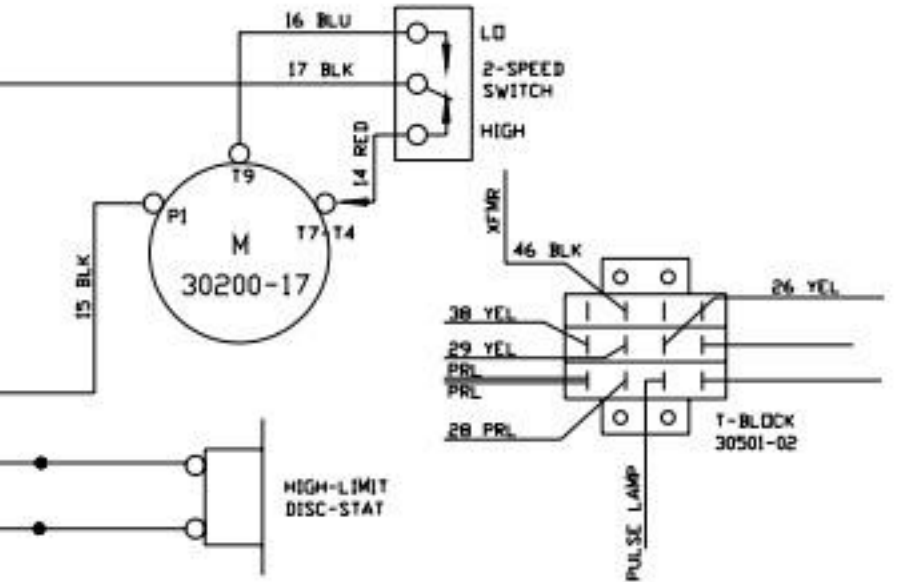
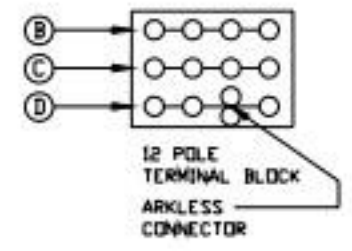
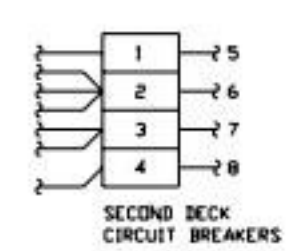


REVISION BLOCK						
REV	ECN NO.	DESCRIPTION	DR:	MFG	ENG	DATE

	VOLTS	KW			TOTAL	AMPS			
		L1-L2	L2-L3	L3-L1		L1	L2	L3	1 PH
1 DECK	208	6.16	2.75	2.75	11.66	37	37	22.9	56
1 DECK	240	4.33	3.67	3.67	11.66	28.9	28.9	26.5	48.6
2 DECK	208	8.91	8.91	5.5	23.33	60	74.2	60	112
2 DECK	240	8	8	7.33	23.33	55.3	57.7	55.3	97.2

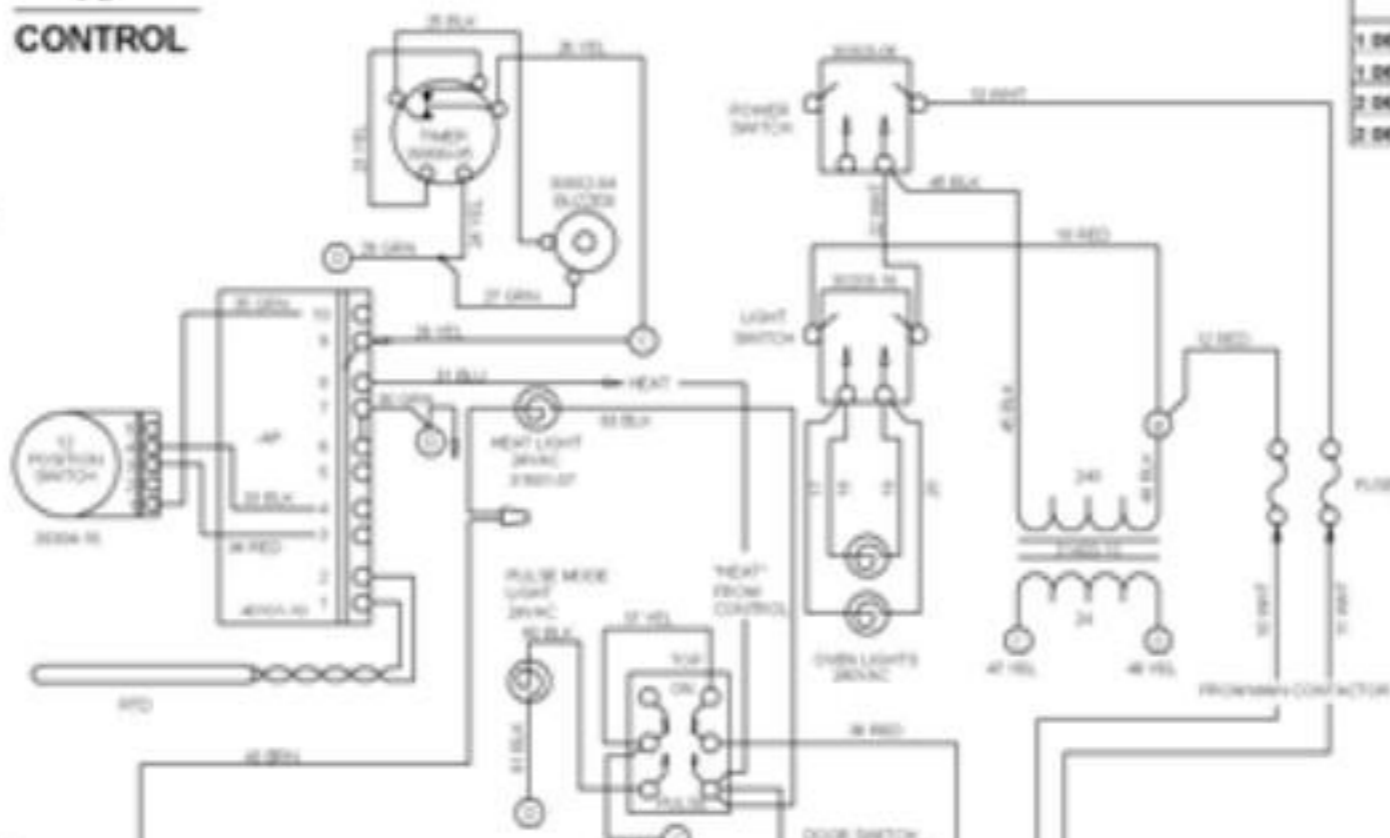
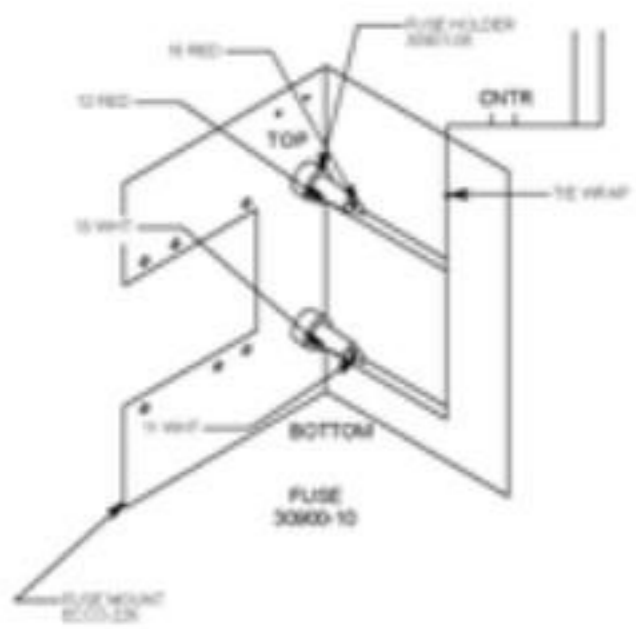
SERVICE CONNECTIONS					
	THREE PHASE			SINGLE PHASE	
	L1	L2	L3	L1	L2
1 DECK	1,4	2	3	1,3	2,4
2 DECK	1,4,7	2,5,8	3,6	1,3,5,7	2,4,6,8

SECOND DECK WIRING IDENTICAL FIRST DECK



QTY	ITEM	PART NUMBER	DESCRIPTION / MATERIAL
LANG MANUFACTURING			
DR: SRC DATE: 12-14-94		TITLE: W/D ECCO-AP	
CK: FD DATE: 12-14-94		208-240VAC	
TOLERANCES: FRACTIONS DECIMALS ± 1/64 .001 ± 1/32 .002 ± 1/16 .005 ± 1/8 .010 ± 1/4 .020 ± 3/8 .030 ± 1/2 .040 ± 5/8 .050 ± 3/4 .060 ± 1 .070 ± 1 1/4 .080 ± 1 1/2 .090 ± 1 3/4 .100 ± 2 .120 ± 2 1/2 .150 ± 3 .180 ± 3 1/2 .200 ± 4 .250 ± 4 1/2 .300 ± 5 .350 ± 5 1/2 .400 ± 6 .450 ± 6 1/2 .500 ± 7 .550 ± 7 1/2 .600 ± 8 .650 ± 8 1/2 .700 ± 9 .750 ± 9 1/2 .800 ± 10 .850 ± 10 1/2 .900 ± 11 .950 ± 11 1/2 1.000		NEXT HIGHER ASSY. SHEET 1 OF 1	
SCALE: N/A		DRAWING NUMBER 61111-109	
		REV B	

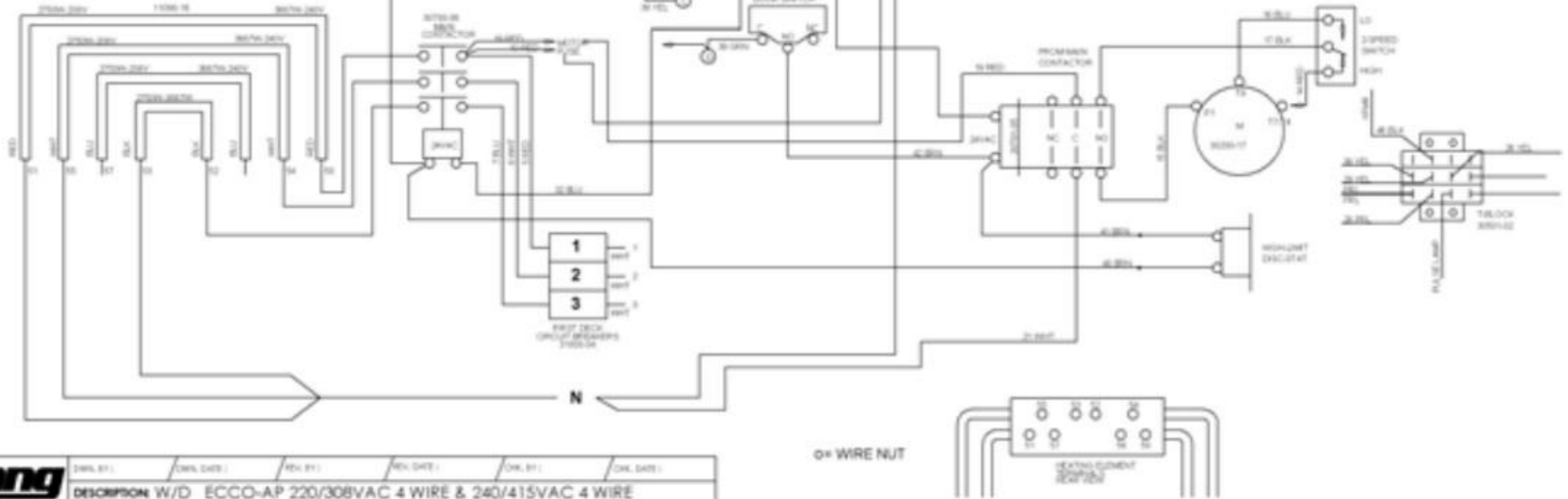
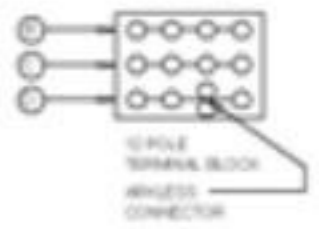
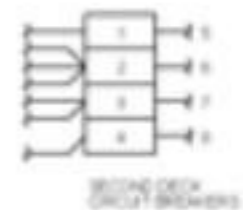
**-AP
CONTROL**



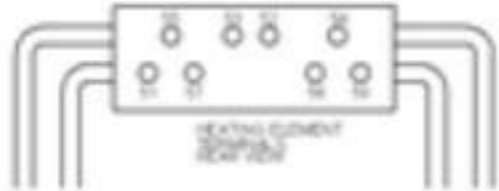
	VOLTS	KW			TOTAL	AMPS			
		L1-N	L2-N	L3-N		L1	L2	L3	Neutral
1 DECK	220/380	3.10	3.10	3.10	9.30	14.1	14.1	14.1	14.1
1 DECK	220/380	6.20	6.20	6.20	18.60	28.2	28.2	28.2	28.2
2 DECK	240/415	3.70	3.70	3.70	11.10	15.4	15.4	15.4	15.4
2 DECK	240/415	7.40	7.40	7.40	22.20	30.8	30.8	30.8	30.8

SERVICE CONNECTIONS				
	L1	L2	L3	N
1 DECK	1	2	3	N
2 DECK	1,4	2,5	3,6	N,N

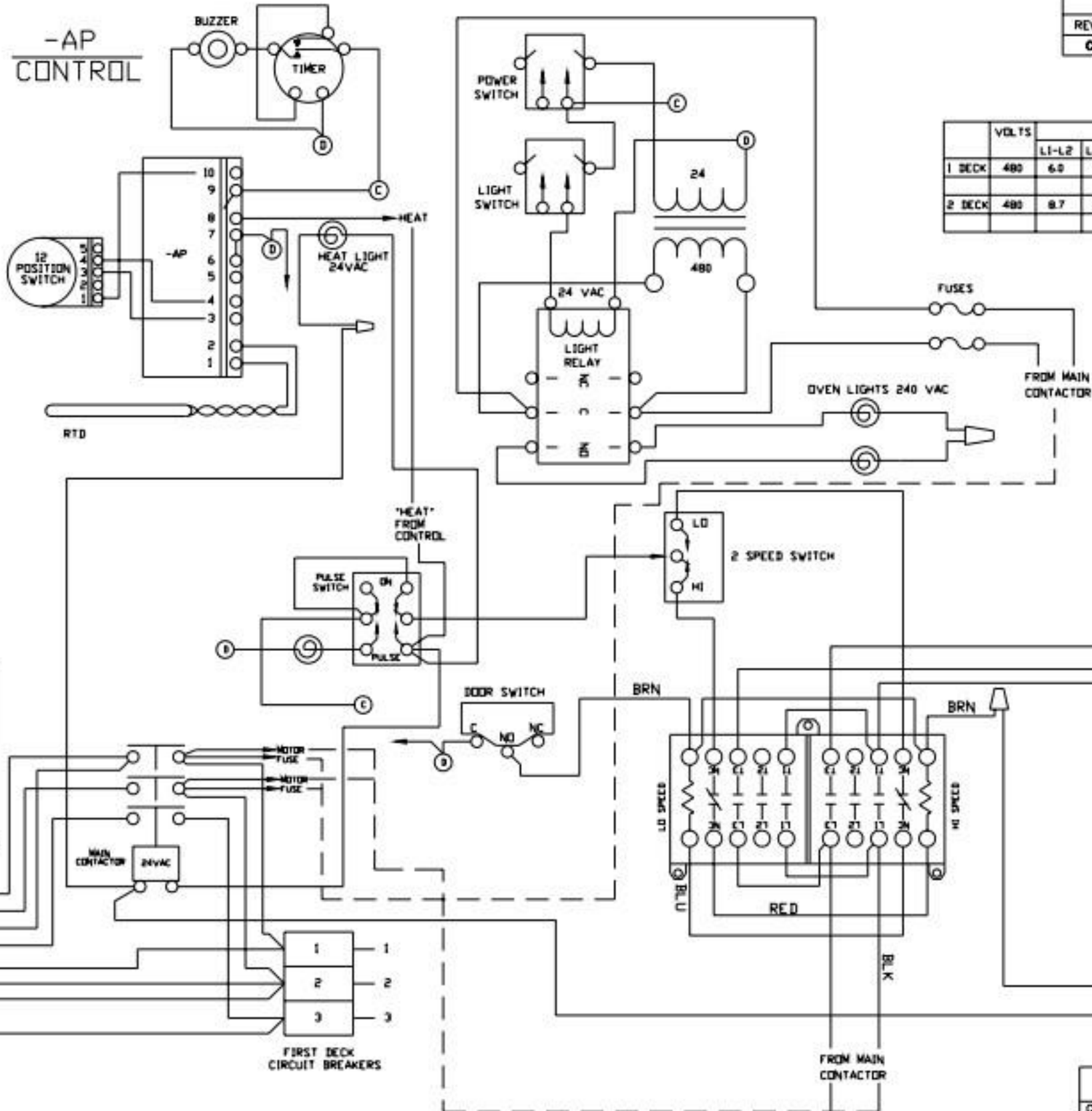
SECOND DECK WIRE CONNECTIONS FIRST DECK



Ø = WIRE NUT

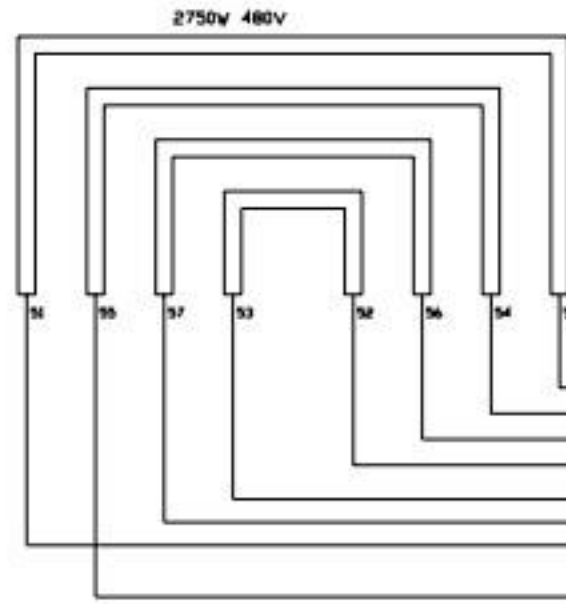
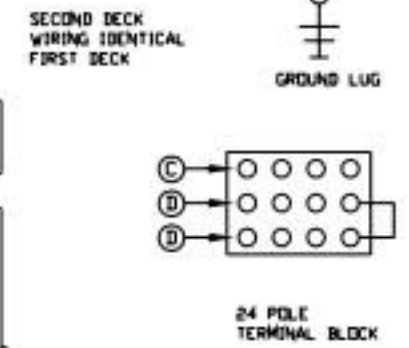
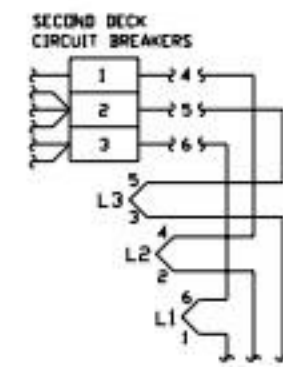


REVISION BLOCK						
REV	ECN NO.	DESCRIPTION	DR:	MFG	ENG	DATE
C		ADDED NEW TERMINAL BLOCK	SRC			1-23-98



	VOLTS	KW			TOTAL	AMPS		
		L1-L2	L2-L3	L3-L1		L1	L2	L3
1 DECK	480	6.0	2.7	2.7	11.5	15.8	15.8	10.0
2 DECK	480	8.7	8.7	5.4	23.0	25.8	31.6	25.8

SERVICE CONNECTIONS			
	L1	L2	L3
1 DECK	1	2	3
2 DECK	1-6	2-4	3-5



QTY	ITEM	PART NUMBER	DESCRIPTION / MATERIAL
LANG MANUFACTURING			
DR: SRC DATE: 12-14-84		TITLE: W/D ECCO-AP	
CK: FAD DATE: 12-14-84		480VAC	
TOLERANCES		NEXT HIGHER ASSY. SHEET	
FRACTIONS DECIMALS		DRAWING NUMBER	
± 1/64 ± .00		61111-110	
± 1/32 ± .01		REV	
± 1/16 ± .02		C	
± 3/32 ± .03			
± 1/8 ± .04			
± 3/16 ± .05			
± 1/4 ± .06			
± 5/16 ± .07			
± 3/8 ± .08			
± 1/2 ± .09			
± 5/8 ± .10			
± 3/4 ± .11			
± 7/8 ± .12			
± 1 ± .13			
UNLESS OTHERWISE SPECIFIED DIMENSIONS ARE IN INCHES			
SCALE: TO FIT			

● = WIRE NUT