

Lang[®]

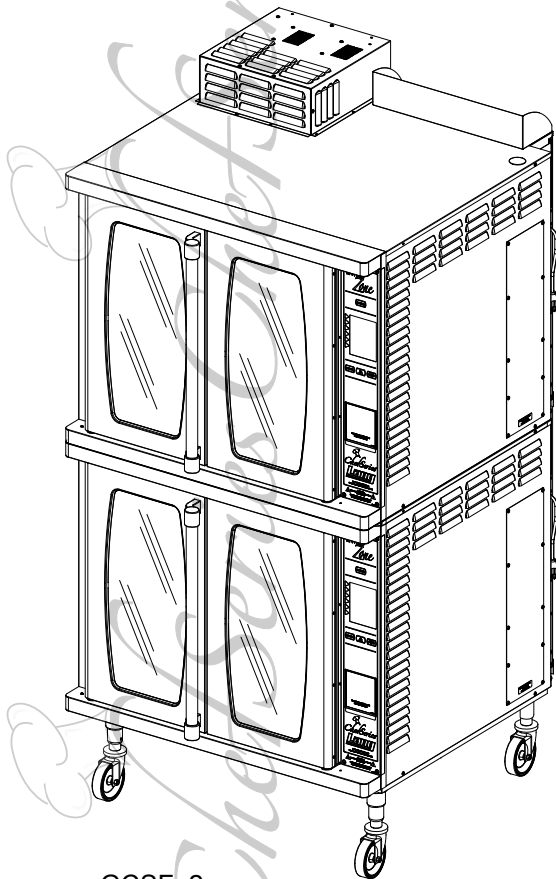
GAS FULL SIZE COMPUTERIZED CONVECTION OVEN

GCSF-ES

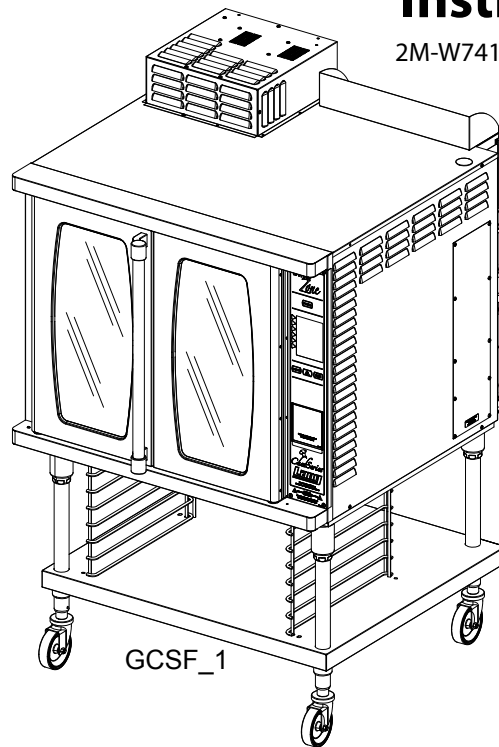
GCSF-EZ

Installation and Operation Instructions

2M-W741 Rev. D 11/11/13



GCSF_2



GCSF_1



SAFETY SYMBOL



These symbols are intended to alert the user to the presence of important operating and maintenance instructions in the manual accompanying the appliance.

FOR YOUR SAFETY

DO NOT STORE OR USE GASOLINE OR OTHER FLAMMABLE VAPORS AND LIQUIDS IN THE VICINITY OF THIS OR ANY OTHER APPLIANCE.

The installation of the Appliance must conform to the NATIONAL FUEL GAS CODE "ANSI Z223.1 - LATEST EDITION" AND ALL LOCAL GAS COMPANY RULES AND REGULATIONS.

IN CANADA INSTALLATION SHALL BE IN ACCORDANCE WITH THE CURRENT CAN/CGA-B149.1 NATURAL GAS INSTALLATION CODE OR CAN/CGA-B149.2 PROPANE INSTALLATION CODE AND LOCAL CODES WHERE APPLICABLE.

POST IN PROMINENT LOCATION

INSTRUCTIONS TO BE FOLLOWED IN THE EVENT USER SMELLS GAS. THIS INFORMATION SHALL BE OBTAINED BY CONSULTING YOUR LOCAL GAS SUPPLIER. AS A MINIMUM, TURN OFF THE GAS AND CALL YOUR GAS COMPANY AND YOUR AUTHORIZED SERVICE AGENT. EVACUATE ALL PERSONNEL FROM THE AREA.

WARNING

IMPROPER INSTALLATION, ADJUSTMENT, ALTERATION, SERVICE OR MAINTENANCE CAN CAUSE PROPERTY DAMAGE, INJURY OR DEATH. READ THE INSTALLATION, OPERATION & MAINTENANCE INSTRUCTIONS THOROUGHLY BEFORE INSTALLING OR SERVICING THIS EQUIPMENT.

WARNING



**RISK OF FIRE OR ELECTRIC SHOCK
DO NOT OPEN**



WARNING, TO REDUCE THE RISK OF ELECTRICAL SHOCK, DO NOT REMOVE CONTROL PANEL. NO USER-SERVICABLE PARTS INSIDE. REPAIRS SHOULD BE DONE BY AUTHORIZED SERVICE PERSONNEL ONLY.

NOTICE

Using any part other than genuine Lang factory supplied parts relieves the manufacturer of all liability. Lang reserves the right to change specifications and product design without notice. Such revisions do not entitle the buyer to corresponding changes, improvements, additions or replacements for previously purchased equipment.

Due to periodic changes in designs, methods, procedures, policies and regulations, the specifications contained in this sheet are subject to change without notice. While Lang Manufacturing exercises good faith efforts to provide information that is accurate, we are not responsible for errors or omissions in information provided or conclusions reached as a result of using the specifications. By using the information provided, the user assumes all risks in connection with such use.

MAINTENANCE AND REPAIRS

Contact your local dealer for service or required maintenance. Please record the model number, serial number, voltage and purchase & Installation Information in the area below and have it ready when you call to ensure a faster service.

Model No.: _____

Purchased From: _____

Serial No.: _____

Location: _____

Voltage: _____

Purchase Date: _____

1-Phase or 3 Phase: _____

Installed Date: _____



PROBLEMS, QUESTIONS or CONCERNS

Before you proceed consult you authorized Lang service agent directory
or
Call the Lang Technical Service at 314-678-6315.

SPECIFICATIONS					
Model	Height x Width x Depth	Clearance from combustible surface	Weight		Freight Class
			Installed	Shipping	
GCSF_1	36" x 40" x 40"	Side:0, Back: 1, Floor: 4	555 lbs.	620lbs	70
	(91.4cm x 101.6cm x 101.6cm)		(252 kg)	(281 kg)	
GCSF_2	74" x 40.4" x 40"	Side:0, Back: 1, Floor: 4	1110 lbs.	1240 lbs	70
	(188cm x 102.6cm x 101.6cm)		(503 kg)	(562 kg)	

UTILITY REQUIREMENTS									
Model	Voltage	Hz	Total kW	Ph.	Amps/Line	Total Gas Req.	Gas W.C. Max.		Incoming Gas Pressure
							Nat	LP	
GCSF_1	120V	60	0.7	1	5.8`	3/8" NPT, 60,000 BTU/hr	4" W.C.	9" W.C.	14" W.C.
GCSF_2			1.4	3	11.6	3/8" NPT, 120,000 BTU/hr			

WATER QUALITY REQUIREMENTS

Waterline pressure and quality MUST meet Lang Manufacturing Specifications listed below. Contact your local water equipment system provider to assist you in determining your specific water quality, or contact Lang Technical support for assistance, 1-800-807-9054.

-IMPORTANT-

**YOUR LOCAL WATER CONDITIONS MAY DAMAGE YOUR LANG EQUIPMENT.
FAILURE TO PROPERLY TREAT WATER MAY RESULT IN DAMAGE AND MAY VOID
SOME OR ALL OF THE WARRANTY.**

WATER SPECIFICATIONS, after treatment the water must continuously be within the following parameters.

Cold Water: 20 to 80 PSI, 3 GPH minimum capacity

pH: 6.8 to 7.6

Conductivity: <1/500,000 ohms per inch

Total dissolved solids: < 100 PPM

Hardness: 2 to 4 grains per gallon

Maximum Salinity Ion Content

- Chlorine: < 0.5 PPM
- Chlorides: < 30 PPM
- Sulfates: < 40 PPM
- Iron: < 0.1 PPM
- Copper: < 0.05 PPM
- Manganese: < 0.05 PPM
- Chloramines: < 0.5 PPM



THIS APPLIANCE MUST BE GROUNDED AT THE TERMINAL PROVIDED. FAILURE TO GROUND THE APPLIANCE COULD RESULT IN ELECTROCUTION AND DEATH.

WARNING

INSTALLATION OF THE UNIT MUST BE DONE BY PERSONNEL QUALIFIED TO WORK WITH ELECTRICITY AND PLUMBING. IMPROPER INSTALLATION CAN CAUSE INJURY TO PERSONNEL AND/OR DAMAGE TO EQUIPMENT. UNIT MUST BE INSTALLED IN ACCORDANCE WITH ALL APPLICABLE CODES.

NOTICE

The data plate is located on the lower right side panel of the unit. The oven voltage, wattage, serial number, and clearance specifications are on the data plate. This information should be carefully read and understood before proceeding with the installation.

NOTICE

The installation of this unit must conform to applicable national, state and locally recognized installation standards.

NOTICE

The installation of any components such as a vent hood, grease extractors, fire extinguisher systems, must conform to their applicable National, State and locally recognized installation standards.



CAUTION

MOST CLEANERS ARE HARMFUL TO THE SKIN, EYES, MUCOUS MEMBRANES AND CLOTHING. PRECAUTIONS SHOULD BE TAKEN TO WEAR RUBBER GLOVES, GOGGLES OR FACE SHIELD AND PROTECTIVE CLOTHING. CAREFULLY READ THE WARNING AND FOLLOW THE DIRECTIONS OF THE LABEL OF THE CLEANER TO BE USED.



WARNING

KEEP WATER AND SOLUTIONS OUT OF CONTROLS. NEVER SPRAY OR HOSE CONTROL CONSOLE, ELECTRICAL CONNECTIONS, ETC.

BOTH HIGH AND LOW VOLTAGES ARE PRESENT INSIDE THE APPLIANCE WHEN THE UNIT IS PLUGGED/WIRED INTO A LIVE RECEPTACLE. BEFORE REPLACING ANY PARTS, DISCONNECT THE UNIT FROM THE ELECTRIC POWER SUPPLY.



WARNING

The appliance is equipped with a 3-prong (grounded) plug for your protection against shock hazard and must be plugged directly into a properly grounded 3-prong receptacle. DO NOT cut or remove this gronding prong from the plug.

NOTICE

Never use chlorine sanitizer in contact with stainless steel surfaces longer than 10 minutes. Longer contact can cause corrosion.

NOTICE

Service this, or any other Lang appliance must be performed by qualified personnel only. Consult your authorized service station directory or call the factory at 314-678-6315, or log onto www.langworld.com for the service agent nearest you.

2M-W741 Gas Full Size Computerized Convection Oven.GCSE



GENERAL INFORMATION

This equipment is designed and sold for commercial use only by personnel trained and experienced in its operation and is not sold for consumer use in and around the home nor for use directly by the general public in food service locations.

Before using your new equipment, read and understand all the instructions & labels associated with the unit prior to putting it into operation. Make sure all people associated with its use understand the units operation & safety before they use the unit.

All shipping containers should be checked for freight damage both visible and concealed.

This unit has been tested and carefully packaged to insure delivery of your unit in perfect condition. If equipment is received in damaged condition, either apparent or concealed, a claim must be made with the delivering carrier.

Concealed damage or loss - if damage or loss is not apparent until after equipment is unpacked, a request for inspection of concealed damage must be made with carrier within 15 days. Be certain to retain all contents plus external and internal packaging materials for inspection. The carrier will make an inspection and will supply necessary claim forms.

PURCHASER'S RESPONSIBILITY

It is the responsibility of the purchaser:

1. To see that the electric & gas services (*12" WC max*) for the oven are installed on site in accordance with the manufacturer's specifications.
2. To unload, uncrate, and install the oven in its proper location and in accordance with this installation operation manual.
3. To see that electric services are connected properly by a qualified installer of your choice.
4. To see that there is a water purification system supplying the oven that meets Lang Manufacturing Specifications. All connections must be in accordance with applicable code requirements.
5. To arrange for inspection and operation check-out by an authorized service technician.

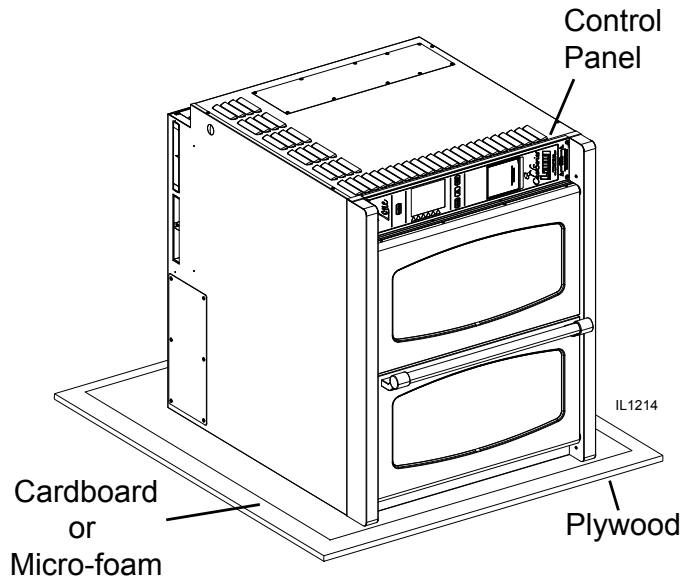
UNCRATING

The oven will arrive completely assembled inside a wood frame. Prior to uncrating move the oven as close to its final location as practical. This will protect it from damage associated with moving (scratches, dings, dropping).



Some hardware, (i.e. casters, legs, stacking kits) may be shipped inside the oven. Please remove any items before continuing.

It may be necessary during the installation to place the unit on its side (i.e. leg, caster installation, fit through doors, etc) follow these guidelines to lessen the risk of damage to the unit.



Placing the unit onto its side:

1. Have oven completely uncrated and sitting on its shipping crate.
 2. When using a dolly, place a piece of plywood on top of the dolly to distribute the weight evenly. Also have a piece of cardboard or micro-foam between plywood and oven to protect the finish from scratches.
 3. Carefully tilt the oven onto its **LEFT SIDE ONLY (or CONTROL SIDE UP)**
- NOTE: Turning the unit onto its right side will damage the control panel.**
4. Avoid sudden drops.



NEVER lay oven with the control side down, this will damage the controls.



THE OVEN WEIGHS 525 LBS (238KG). FOR SAFE HANDLING, INSTALLER SHOULD OBTAIN HELP AS NEEDED, OR EMPLOY APPROPRIATE MATERIALS HANDLING EQUIPMENT (SUCH AS A FORKLIFT, DOLLY, OR PALLET JACK) TO REMOVE THE UNIT FROM THE SKID AND MOVE IT TO THE PLACE OF INSTALLATION.

ANY STAND COUNTER OR OTHER DEVICE ON WHICH THE OVEN WILL BE LOCATED MUST BE DESIGNED TO SUPPORT THE WEIGHT OF THE OVEN.

SHIPPING STRAPS ARE UNDER TENSION AND CAN SNAP BACK WHEN CUT.

INSTALLATION

The oven is equipped for the voltage indicated on the nameplate mounted on the lower right side panel of the oven. It will operate on alternating current (AC) only. For optimum performance have a separate circuits breaker for each unit.



WARNING

DO NOT CONNECT TO DIRECT CURRENT (DC).

The installation of the electric oven should conform to the:

NATIONAL ELECTRIC CODE AND ALL LOCAL ELECTRIC CODES AND ORDINANCES AND THE LOCAL ELECTRIC COMPANY RULES AND REGULATIONS.



INSTALLATION CHECK LIST

- Ventilation & Clearances
- Air Supply
- Legs & Caster Installation
- Stacking Instructions (*Double Ovens Only*)
- Draft Inducer Installation
- Water Connection
- Drain Connection
- Electrical Connection
- Gas Pressure Testing & Connection

VENTILATION & CLEARANCES

Local codes prevail. These are the “authority having jurisdiction” as stated by the National Fire Protection Association, Inc. in NFPA 96-Latest Edition. For further ventilation information see below.

A ventilation hood may be required to remove heat and cooking odors. The hood and HVAC installation must meet local codes to gain approval by the authority having jurisdiction. Requirements may vary throughout the country depending on the location by city, county, and state. Obtain information from the authority having jurisdiction to determine the requirements for your installation. Obtain information and review copies of codes or documents that will be used to inspect and approve your installation. Your ventilation hood supplier and HVAC contractor should be contacted to provide guidance.

Combustible clearances

- 0” from side
- 1” from back
- 4” from floor

Non-Combustible clearances

- 1” from back, 4” from floor
- Without legs; 2” from back



CAUTION

DO NOT install oven closer than 1” on the control side, from another oven.
DO NOT install oven closer than 12” on the control side, from a uncontrolled heat source (charbroiler, open flame, griddle, etc.), unless a Hi-Temperature Spacer is installed then it can be reduced to 1”.

AIR SUPPLY

Make certain not to obstruct the flow of combustion (gas) and ventilation air. Provisions for adequate air supply must be furnished.

LEGS & CASTER INSTALLATION

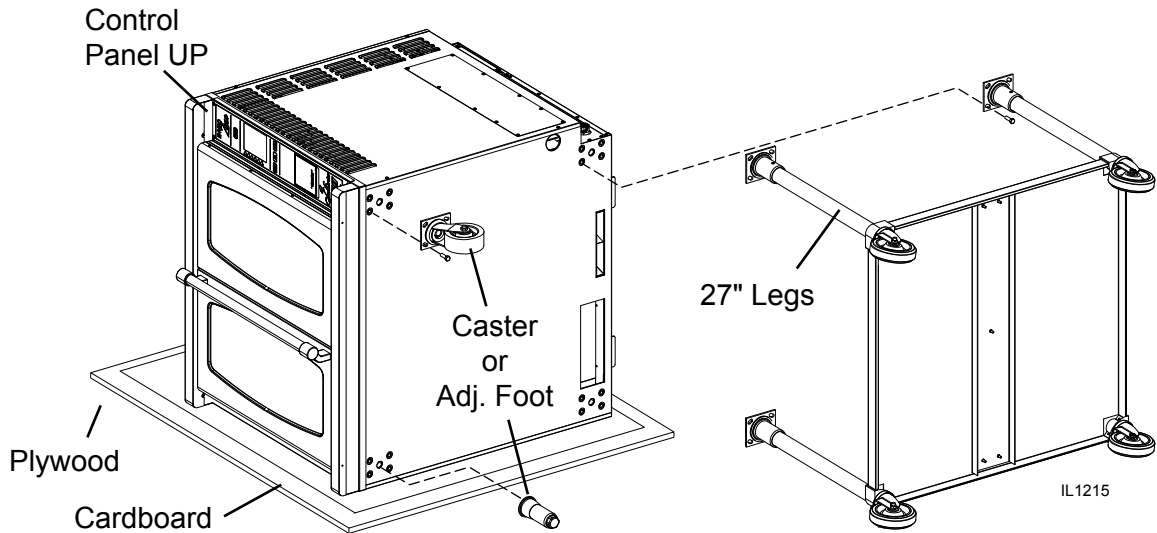
The legs supplied with the unit must be installed, casters are an accessory and must be ordered separately.

Legs are available for both the single and double deck installations.

SINGLE: require 27" legs or stands

DOUBLE: require 6" legs or casters.

To install the legs, place some cardboard on the floor and gently tip the oven onto its-back or non-control side. Fasten all four legs to the oven's corners using the sixteen 5/16" bolts provided in the leg kit. Once legs securely in place, with assistance lift the unit upright, the adjustable feet can be adjusted to level the unit. A torpedo level placed on the oven rack will assist in leveling the unit.



CAUTION

These units may be placed on a curbed base.

CAREFULLY TILT OVEN ONTO ITS LEFT SIDE (CONTROL SIDE UP) WHEN INSTALLING LEGS, FEET OR CASTERS. TURNING OVEN ONTO ITS RIGHT SIDE (CONTROL SIDE DOWN) WILL DAMAGE THE CONTROL PANEL.

PROPER LEVELING IS ESSENTIAL TO PROPER BAKING PERFORMANCE.

CONVECTION OVENS INSTALLED WITH CASTERS MUST HAVE THE FOLLOWING: A CONNECTOR THAT COMPLIES WITH THE STANDARD FOR CONNECTORS FOR MOVABLE GAS APPLIANCES ANSI Z21.69 LATEST EDITION, A QUICK DISCONNECT THAT COMPLIES WITH THE STANDARD FOR QUICK DISCONNECT DEVICES FOR USE WITH GAS FUEL, ANSI Z21.141 LATEST EDITION, A TETHER OR OTHER MEANS TO LIMIT APPLIANCE MOVEMENT WITHOUT RELIANCE ON THE GAS SUPPLY PIPING. SECURELY ATTACH THE TETHER TO THE EYEBOLT PROVIDED AT THE REAR OF THE APPLIANCE.

BEFORE LIGHTING, USE A SOAP AND WATER SOLUTION TO TEST ALL JOINTS FOR GAS LEAKS.

STACKING INSTRUCTIONS, GCSF Oven

These stacking instructions apply when two units are being installed in a stacked arrangement only. When an GCSF is in the top position, in a stacked assembly, the draft inducer wiring harness is needed to power the inducer. The GCSF in the bottom position of a stacked assembly, must have the draft inducer wiring harness removed.

When stacking an GCSF (gas) with a ECSF (electrical), put the GCSF on top to ensure proper venting of combustion gasses.

1. Attach the feet or casters to the lower oven per the previous "Leg & Caster Installation" section.
2. Remove the Button Plug from the top right hand of the lower oven and replace it with the 1 3/4" plastic electrical bushing provided in the stacking kit, see illustration.
3. Remove the **LOWER OVEN**, Draft Inducer Wiring Harness, this is not needed for the lower unit.

To accomplish this:

- Cut the 9 pin and the two single connectors coming through the top of the lower unit.
- Remove the Side Access Panel & the Terminal Block Access Panel on the lower oven.
- Disconnect the wires from the harness going to the terminal block.
- Locate the bundle of wires in the side access panel labeled "DRAFT INDUCER CONNECTION", disconnect the wires from the oven harness at the 6 pin connector.
- The draft inducer harness can now be removed from the unit by pulling the harness from the control side through the firewall bushing

4. **REMOVE THE INDUCER KNOCKOUT** on the right rear of the **UPPER UNIT ONLY**, prior to placing it into position. **DO NOT** remove the knockout for the lower unit, doing so will interrupt proper gas venting from that unit.
5. Using the Strapping Plates (see stacking kit) secure the two ovens together, by mounting them into the existing side panel, using existing screws on both sides of the unit.
6. Install the vent shroud with 4 #10 sheet metal screws, provided.
7. Remove the side access panel from the upper oven.
8. Locate the wire bundle labeled "Lower Oven Draft Inducer Connection" in the upper oven. Pass this connection through the plastic electrical bushing at the bottom of the oven and into the lower oven.

EnviroZONE only: Install a 1 3/4" plastic electrical bushing, replacing the knock-out directly behind the control cooling fan of the lower oven.

9. In the lower oven, connect the 6 pin connector that was passed through from the upper oven to the connection marked "Draft Inducer Connection"
10. Replace the side access panels & attach the earthquake strap (not included) to the eye bolt to the upper oven, see illustration.

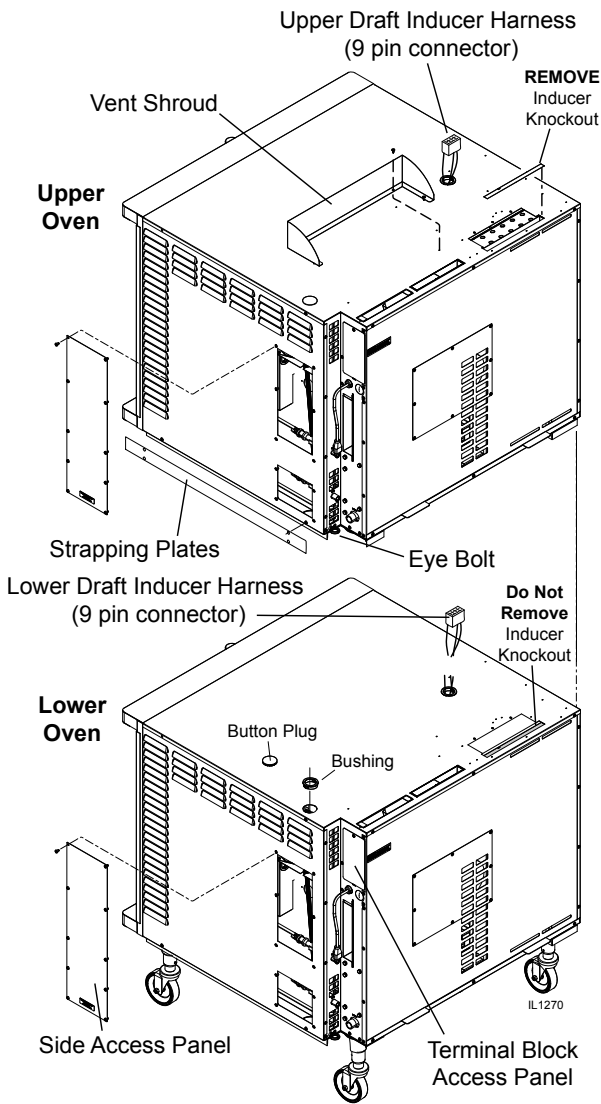


CAUTION

THE OVEN WEIGHS 520 LBS (238KG). FOR SAFE HANDLING, INSTALLER SHOULD OBTAIN HELP AS NEEDED, OR EMPLOY APPROPRIATE MATERIALS HANDLING EQUIPMENT (SUCH AS A FORKLIFT, DOLLY, OR PALLET JACK) TO REMOVE THE UNIT FROM THE SKID AND MOVE IT TO THE PLACE OF INSTALLATION.

ANY STAND, COUNTER OR OTHER DEVICE ON WHICH THE OVEN WILL BE LOCATED MUST BE DESIGNED TO SUPPORT THE WEIGHT OF THE OVEN.

2M-W741 Gas Full Size Computerized Convection Oven GCSF



DRAFT INDUCER INSTALLATION

SINGLE UNIT

In single unit applications the oven must be mounted to its cart before completing these steps.

DOUBLE UNITS

When installing the draft inducer in a stacked application, it must be completed only after the previous "Stacking Instructions" have been performed.

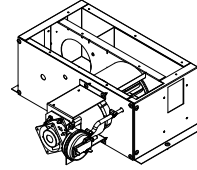
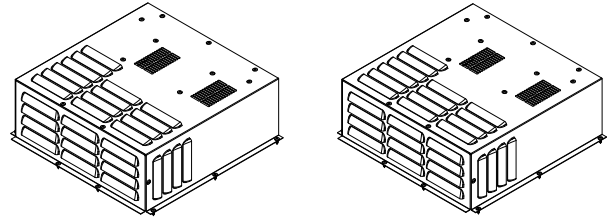
1. Install the bracket that came with the draft inducer with three (3) of the #10 sheet metal screws provided.
2. Make certain the knockout is removed from the unit, top unit ONLY in stacked situations. see illustration shown here.
3. Place the draft inducer, without the louvered cover, on top of the unit, over the exhaust collector.
4. Slide the inducer forward until secured under the attached bracket. Using six (6) #10 sheet metal screws, fasten this assembly onto the top of the oven.

5. Connect the 9 pin and two single electrical connections from the draft inducer to the wiring harness protruding from the top of the unit.

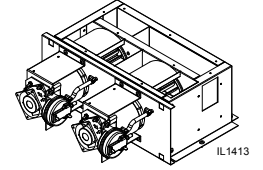
NOTE: There is no polarity distinction between the single connections.

6. Test the Inducer by plugging in the 120V connection to the oven (upper oven on stacked assemblies) and make sure the axial fan(s) on the draft inducer are turning. The fans will turn without the controls being on.

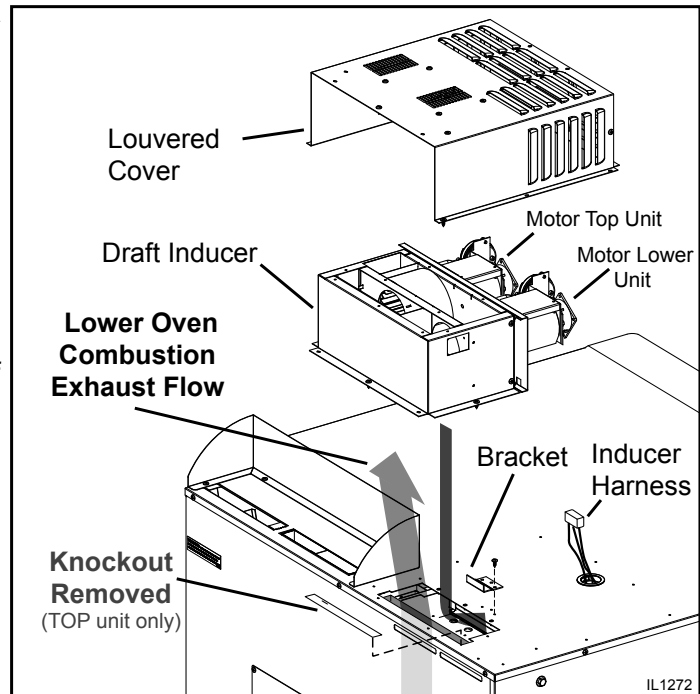
7. Fasten the draft inducer cover to the top of the oven with the #10 sheet metal screws provided.



Single GCSF
One Motor



Double GCSF Stack
Two Motors



Above: STACKED UNITS ONLY, Remove Knockout before installing Draft Inducer.

2M-W741 Gas Full Size Computerized Convection Oven GCSF



IMPORTANT: IMPROPER DRAFT INDUCER INSTALLATION WILL ADVERSLY AFFECT THE PERFORMANCE OF YOUR LANG EQUIPMENT.

EARTHQUAKE STRAPS

If the oven is to be installed with casters, it must be secured to the building structure. To do this, attach an oven earthquake strap (not supplied) to the eye bolt (supplied) at the bottom right corner of the oven. For stacked ovens, attach the strap to the eye bolt of the uppermost oven. Connect the earthquake strap to the wall or other structure per instructions supplied with the strap.

WATER CONNECTION

It is vital that the water supply line be thoroughly flushed with clean water before being connected to the oven's water manifold.

After your water has been tested and meets the minimum requirements (see water requirements). Connect water supply to 3/8" NPTM fitting located at right rear corner of the oven. Once the water manifold and water supply are connected to the oven turn the oven ON and press the 1-shot steam button for 1 minute to remove the air and any impurities from the system.

The water must continuously be within the specifications (for this application) while this unit is in service. Periodic testing may be needed to verify any changes in water conditions.

DRAIN CONNECTION

Attach drain plumbing to the 3/4" NPTM oven drain fitting located at the lower rear right had corner of the oven.

Drains need to have a vent pipe attached. Typical venting is accommodated by using a "T" off the drain pipe with an 8" to 10" open pipe in the top part of the "T". for stacking, the drains can be manifolded together with only the top drain vented.

ELECTRICAL CONNECTION

All electrical connections must be made in accordance with local codes or in the absence of local codes with NFPA No. 70 latest edition (in Canada use: CSA STD. C22.1)

- IMPORTANT -

IF A SINGLE POWER SOURCE IS TO BE CONNECTED TO BOTH OVENS, REMOVE THE CONTROL SIDE PANELS AND RUN THE INTERCONNECTION WIRES THROUGH THE 1" PLASTIC ELECTRICAL BUSHING RUNNING BETWEEN THE TWO OVENS.

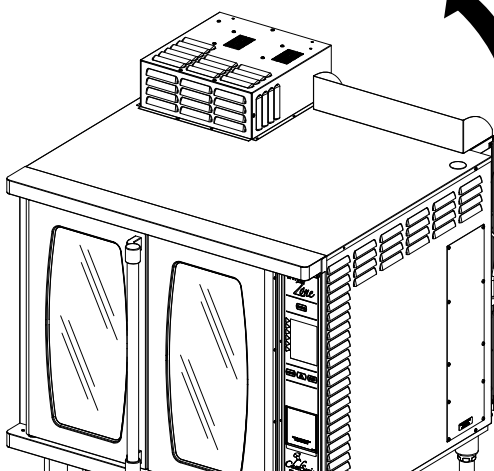
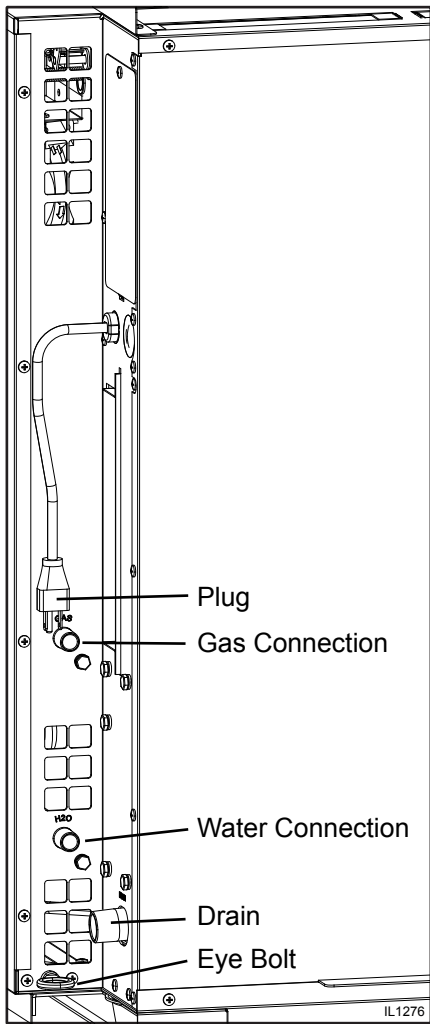
The electrical service entrance is provided by several knockouts in the top right rear corner of each oven. Line current information can be found on the unit's data plate.

	<u>Voltage</u>	<u>Phase</u>	<u>Total kW</u>	<u>Amps/Line</u>
Single	120V	1	0.7	5.8
Double	120V	1	1.4	11.6

Supply wire size must be large enough to carry the amperage load for the number of ovens being installed.

WARNING

THIS APPLIANCE IS EQUIPPED WITH A 3-PRONG (GROUNDING) PLUG FOR YOUR PROTECTION AGAINST SHOCK HAZARD AND MUST BE PLUGGED DIRECTLY INTO A PROPERLY GROUNDED 3-PRONG RECEPTACLE. DO NOT CUT OR REMOVE THIS GROUNDED PRONG FROM THE PLUG.



2M-W741 Gas Full Size Computerized Convection Oven GCSF

GAS CONNECTION

Attach gas plumbing to the 3/8" NPTM fitting located on the right hand rear corner of the oven.



WARNING

CONVECTION OVENS INSTALLED WITH CASTERS MUST HAVE THE FOLLOWING: A CONNECTOR THAT COMPLIES WITH THE STANDARD FOR CONNECTORS FOR MOVABLE GAS APPLIANCES ANSI Z21.69 LATEST EDITION, A QUICK DISCONNECT THAT COMPLIES WITH THE STANDARD FOR QUICK DISCONNECT DEVICES FOR USE WITH GAS FUEL, ANSI Z21.141 LATEST EDITION, A TETHER OR OTHER MEANS TO LIMIT APPLIANCES MOVEMENT WITH OUT RELIANCE ON THE GAS SUPPLY PIPING. SECURELY ATTACHED THE TETHER TO THE EYEBOLT PROVIDED AT THE REAR OF THE APPLIANCE.

BEFORE LIGHTING, USE A SOAP AND WATER SOLUTION TO TEST ALL JOINTS FOR GAS LEAKS.

PRESSURE TESTING THE GAS SUPPLY LINE

During pressure testing note the following:

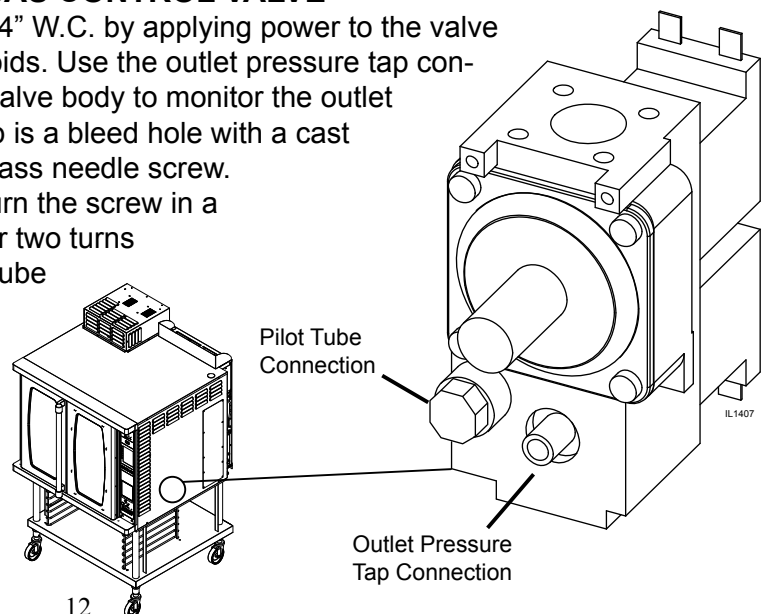
1. The oven and its individual manual shut-off valve must be disconnected from the gas supply piping system during any pressure testing of that system at test pressures in excess of 1/2 psig (3.45 kPa). **Turn OFF** main gas shut-off valve or main gas supply line.
2. The oven must be isolated from the gas supply piping system by closing its individual manual shut-off valve during any pressure testing of the gas supply piping system at test pressures equal to or less than 1/2 psig (3.45 kPa).
3. If incoming pressure is over 12" water column, a separate regulator for the oven must be installed before the gas supply to the oven.

To prevent damage to the control valve regulator during the initial turn-on of gas, it is very important to open the manual shut-off valve very slowly. After the initial gas turn-on, the manual shut-off valve must remain open except during pressure testing as outlined in the above steps or when necessary during service maintenance.

NOTE: The supplied regulator is evaluated for a maximum gas supply pressure of 14" water column (34.5 mBar). The recommended maximum gas supply pressure is 12" water column (29.9 mBar).

PRESSURE TESTING THE GAS CONTROL VALVE

Determine the outlet pressure is 4" W.C. by applying power to the valve and energizing both valve solenoids. Use the outlet pressure tap connection on the underside of the valve body to monitor the outlet pressure. The outlet pressure tap is a bleed hole with a cast spigot, sealed with a threaded brass needle screw. To monitor the outlet pressure, turn the screw in a counterclockwise direction one or two turns and fit a 9 mm diameter flexible tube over the cast spigot. After making all valve adjustments and obtaining the desired outlet pressure, remove the flexible tube. Tighten the needle screw by turning it clockwise with a slotted screwdriver until hand tight, sealing the bleed hole.



INITIAL START-UP

Pre-Power ON

After the oven is installed and connected to power, prior to turning on, verify the following:

- The doors open and close freely.
- All racks are in the oven correctly.
- All packing materials have been removed from the inside of the oven.
- Power is applied to the oven.
- Water is connected and turned on.
- Drains are connected.

NOTICE

During the first few hours of operation you may notice a small amount of smoke coming from the oven, and a faint odor. This is normal for a new oven and will disappear within a few hours of operation.

Enviro-STAR

Control Panel Definitions:

Power, - on/off button

Note: Fan remains on until oven cools down to 250°F

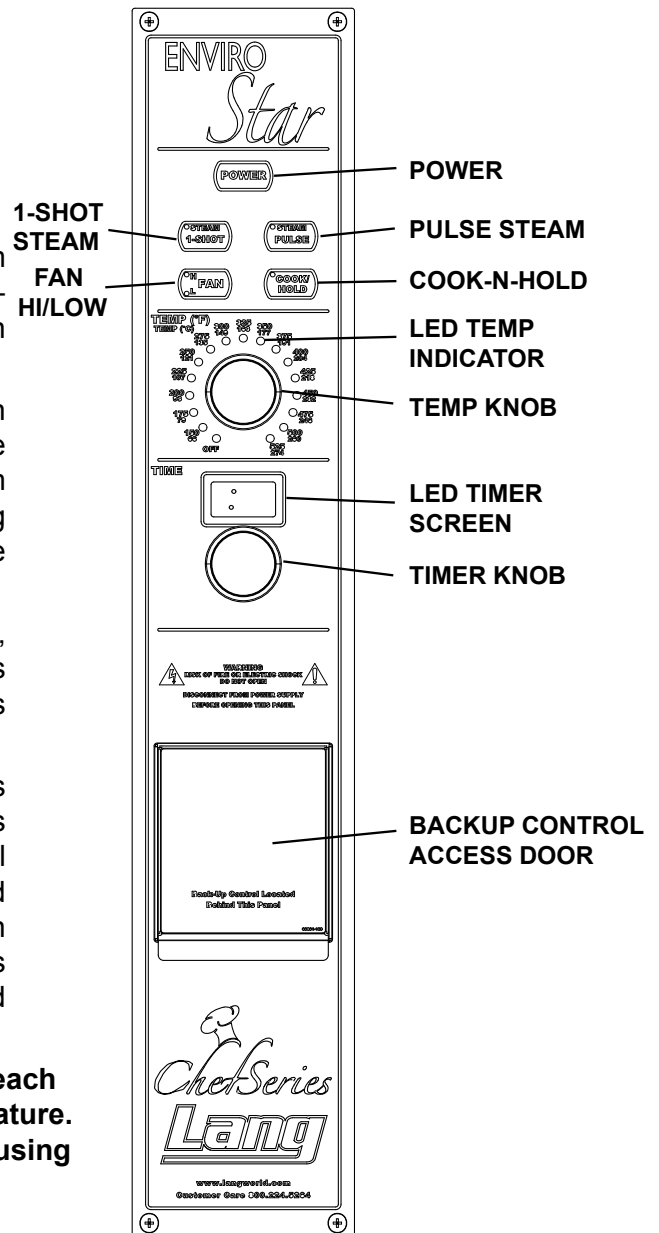
1-Shot Steam - Provides single shot of steam to the cooking chamber between 1 to 20 seconds. To adjust hold down button and turn knob until desired time displays on LED.

Pulse Steam - Sends Steam Shots in non-adjustable 1 second duration, to the cooking chamber. Adjust the Pulse Steam time between 1 to 120 minutes by holding down the button and turning knob until the desired time is displayed on the LED.

FAN - Fan has two speeds (L=LOW, H=HIGH) Note: the fan will reverse directions periodically during operations, this provides for a more consistent bake.

COOK-N-HOLD - Once the cooking has completed the unit will beep 5 times (1-Shot Steam or Pulse Steam) this feature will reduce the oven temperature to 150°F and the cook-n-hold light will turn off. The oven will remain at 150°F until the user begins another cooking cycle or the unit is turned off.

Note it may take as long as 1-hour for it to reach 150°F depending on the set cooking temperature. This time must be taken into account when using the Cook-N-Hold feature.



Enviro-STAR

Control Panel Definitions (Continued)

LED Temperature Indicator – Indicates the current temperature.

- V1.12 blinks with a call for heat,
- Solid means oven on set point.

Temperature Knob – Use to set oven temperature.

LED Timer Screen – Multifunctional digital readout.

- Reads out the time remain in the current cooking cycle.
- Reads out time when setting “Pulse Steam” interval time.
- Reads out time when setting “1 Shot Steam” duration.

Timer Knob – Sets cook time, Pulse Steam interval time and 1 Shot Steam duration.

Back UP Controls – Allows oven operation utilizing a completely separate set of manual controls. Operation in Back-Up Mode is described in the “Operation with Back Up Controls” section.

Initial Power On Test:

1. Follow these steps to verify the basic operation and temperature control capability of oven.
 - a) Turn Power On. Verify interior light and display comes on.
 - b) Set temperature to 300°F. Verify Temperature Indicator light is blinking.
 - c) Verify oven reaches set point & signals ‘Ready’ with an audible tone with in 12 Minutes. (starting with a cold oven)
 - d) Set timer to 10 Minutes and verify fan stops and reverses direction after approximately 108 seconds. (complete reversing cycle takes 2 minutes.)
 - e) Open door and verify the Fan and Time Display stops then restarts when door is closed.
 - f) Turn timer to zero, temp to zero.
 - g) Confirm fan stays on until temp cools to below approximately 250°F.

For units with water hookup for Steam.

2. Identify water purification system used: _____
(write “none” if no water treatment system is in use.)
3. Flush water system to clear tainted water from the install process. _____.
 - a) Put oven into Back-Up Mode and set temperature to approx. 400°F.
(Listen for contactor changing states)
 - b) Once up to temp, Use the steam bypass switch (spring loaded toggle switch in the Back Up Access area) to flush the water through the oven for 1 minute.
 - c) Check water drain for proper operation.

Enviro-ZONE

Control Panel Definitions:

Power – On/Off button. When switched on, the control will turn on the interior light and the display. The fan is left off until there is a call for heat or a timer is started. When the “Power” button is pushed to turn the oven off, the interior lights turn off, the front display turn off.

Up – Allows you to scroll up.

Down – Allows you to scroll down.

Cancel – When scrolling through menus this will allow you to back up to the previous menu. In program mode this will allow you to back up to the previous step.

Function Keys – Keys are active when a program option is displayed on the display adjacent to that key.

Back UP Controls – Allows oven operation utilizing a completely separate set of manual controls.

Operation in Back - Up Mode is described in the “Operation with Back Up Controls” section of this manual.

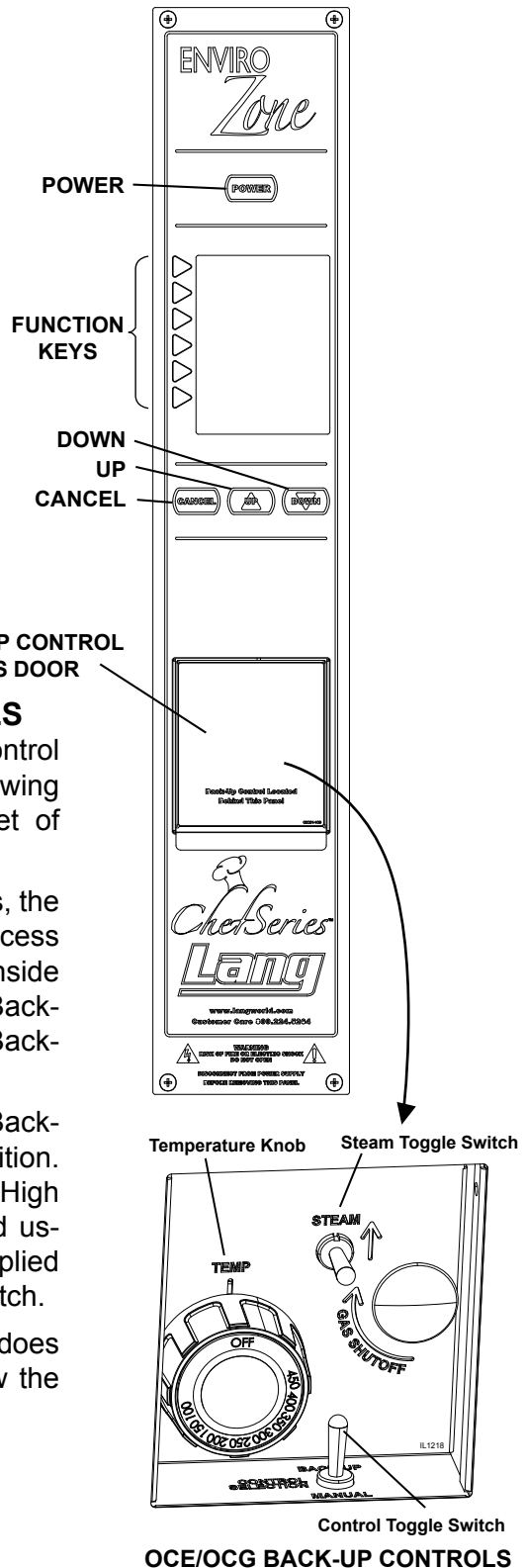
OPERATION WITH BACK UP CONTROLS

During Back-Up operation, the main control panel is disabled by removing it’s power allowing operator to utilize a completely separate set of controls.

On both the Enviro-Zone & Enviro-Star models, the back-up controls are located behind the Access Door located just below the Control Panel. Inside you will find a Temperature Control Knob, a Back-Up Control toggle switch and a spring loaded Back-Up Steam toggle switch.

To enable Back-Up operation, throw the Back-Up Control toggle switch to the ON position. The oven’s convection fan will come on at High speed / CCW and the heat can be controlled using the Temperature Knob. Steam may be applied manually using the Back-Up Steam toggle switch.

Unlike normal operation, the Back-Up mode does not employ energy saving processes or allow the fan to reverse direction or change speeds.



Enviro-ZONE

Initial Power On Test:

- 1) Energize Oven and verify the basic operation and temperature control capability of oven.
 - a. Turn Power On. Verify interior lights and the display comes on. _____
 - b. Install a Temperature Meter thermocouple in center of oven cavity.
 - c. Using 'Run Oven' / 'Manual Program', set temperature to 300°F. _____
 - d. Verify oven reaches set point & signals 'Ready' with an audible tone with in 12 Minutes. (starting with a cold oven) _____
 - e. Press Manual Program again. Using the enter key and up button, enter time 00:10:00, Press 'Accept' and then select shelf "C". Verify the shelf timer starts count down; Verify the fan stops and reverses direction after approximately 108 seconds. (complete reversing cycle takes 2 minutes.) _____
 - f. Verify the measured temperature at the transition point (when heat contactor changes states.) matches the temperature on the display panel. _____
 - g. Open door and verify the Fan stops then restarts when door is closed. _____
 - h. Press Cancel several times to return to "Run Oven" menu.
 - i. Confirm fan stays on until temp cools to below approximately 250°F. _____

For units with water hookup for Steam.

- 2) Identify water purification system used: _____
(write "none" if no water treatment system is in use.)
- 3) Flush water system to clear tainted water from the install process. _____.
 - a. Put oven into Back-Up Mode and set temperature to approx. 400°F.
 - b. Once up to temp, Use the steam bypass switch (spring loaded toggle switch) to flush the water through the oven for 1 minute.
 - c. Check water drain for proper operation.

OPERATION

Enviro-STAR Typical Operation Sequence:

ACTION	RESULT
Press the POWER button	Front panel lights up.
Select Fan Speed HI or Fan Speed LO.	Selected Fan Speed light will be lit.
Adjust to desired temperature between 125° F and 525°F. (Minimum suggested temperature for operation with Steam is 250°F).	Fan and heat come on. Fan will reverse direction every 2 minutes (approximately) through out cooking process.
Set Pulse Steam by pressing and holding Pulse Steam button and selecting between 1 and 120 minutes interval between pulses	Pulse Steam light will stay on. Digital display will momentarily show selected interval between steam pulses.
Temperature reaches Set Point.	Set point reached within 12 minutes and audible tone signals.
Load Product into Oven.	See Hints & Suggestions – “Loading the Oven.”
Set Timer Knob to desired cook time.	Time starts timing down on digital display. If Pulse Steam has been enabled, a 1 second shot of steam will be applied at the selected interval.
Set Cook n Hold (Optional)	Cook n Hold light comes on to indicate feature is enabled.
Cooking timer times out.	Audible tone signals cook time complete. If Cook n Hold feature is enabled, the oven temperature will drop no lower than 150°F with the 150° time light on solid until the timer is reset. The Cook n Hold light will go out at end of timer.
Unload Oven	See Hints & Suggestions – “Unloading the Oven”

Enviro-ZONE Typical Operation Sequence:

ACTION	RESULT
Press the “POWER” button	Control Panel comes on, display says “LANG, Run Oven, Time/Date/Program.
Select “RUN OVEN”.	Display will show a list of product to choose.
Select Product button next to Icon desired.	Display says “Preheating to xxx°F”.
Beeper sounds briefly.	Display says “Ready”.
Select Function to start.	Display shows possible product selection for that temperature.
Select Function to start.	Display says “Select Shelf”, Place Product in oven on selected shelf.
Press Function Button next to desired shelf	Display will show icon chosen and begin to count down.
Beeper sounds continuously.	Display shows “DONE” press button and remove product from that shelf.
Oven is ready for another program.	

MAINTENANCE

- Water filters and conditioners should be inspected and replaced per their manufacturers recommendations.
- Oven interiors should be wiped down daily and thoroughly cleaned weekly using warm water and mild detergent. **DO NOT use caustic cleaners.**
- The appliance should be thoroughly checked at six-monthly intervals by a qualified technician (heating unit, mechanical stability, corrosion...) with particular emphasis on all control and safety devices.

CLEANING

- Always start with a cold oven.
- The stainless exterior can easily be cleaned using stainless steel cleaner.
- Always follow the cleaner manufacturer's instructions when using any cleaner.
- Care should be taken to prevent caustic cleaning compounds from coming in contact with the fan wheel.
- The oven racks, rack slides, may be cleaned outside the oven cavity using oven cleaner.
- Using any harsh chemicals will result in the removal of the ETC coating and etching of the porcelain below it. The oven interior should only be cleaned using a mild soap and a non metal scouring pad. **DO NOT use caustic cleaners.**
- Always apply stainless steel cleaners when the oven is cold and rub in the direction of the metal's grain.



WARNING

KEEP WATER AND SOLUTIONS OUT OF CONTROLS. NEVER SPRAY OR HOSE CONTROL CONSOLE.



CAUTION

MOST CLEANERS ARE HARMFUL TO THE SKIN, EYES, MUCOUS MEMBRANES AND CLOTHING. PRECAUTIONS SHOULD BE TAKEN TO WEAR RUBBER GLOVES, GOGGLES OR FACE SHIELD AND PROTECTIVE CLOTHING.

CAREFULLY READ THE WARNING AND FOLLOW THE DIRECTIONS ON THE LABEL OF THE CLEANER TO BE USED.

NEVER LEAVE A CHLORINE SANITIZER IN CONTACT WITH STAINLESS STEEL SURFACES LONGER THAN 10 MINUTES. LONGER CONTACT CAN CAUSE CORROSION.

CONVECTION OVEN BAKING GUIDE

CONVECTION OVENS IN GENERAL

- Convection ovens constantly circulate air over the product. This strips away the thin layer of moisture laden air from the top of the product allowing heat to penetrate more quickly. This allows cooking times to be shortened and cooking temperatures reduced in convection ovens. Introducing Steam into the cooking process prevents the bake from losing moisture and allows for a better product.
- Applying steam to dough during first 5 minutes, allows the yeast to work a little longer, allowing for better oven spring and loaf volume keeping the outer layer flexible and moist. Once the outside layer of the dough sets, gases in the loaf can no longer expand to increase the loaf size.
- Steaming the dough as it bakes also gelatinizes starch on the outside layer, producing a bread with a crisp crust and a brown crust color in varying degrees; too much steam results in an undesirable crust. Steam also helps to prevent wild breaks in the loaves because it delays the setting of the bread's crust, allowing it more time to bake and brown. However, in contrast, during the last stages of baking, a dry oven is required when the crust is browning; after the steam is removed, the gelatinized layer dries out forming a thick crunchy crust.
- The convection oven is an electro-mechanical piece of equipment and is designed to produce a consistent result. Variations in results are therefore more likely due to differences in the preparation process.

DEFINITIONS

EnviroZone & EnviroStar

Cooking Time & Temperature: To convert standard deck oven recipes to convection oven recipes, start by reducing the cooking temperature by 50 °F and the time by 25%.

Fan Speed Functions: The convection fan is programmable as either HI or LO speed. Most baking is done with the fan speed set to high. Delicate products (i.e. Meringue pie) may require use of the low fan speed setting.

EnviroZone

Cooking Curve: Cooking curve is a programmable function that adjusts the cooking time to compensate for planned times when the oven temperature would be lower than the programmed temperature. (i.e. temperature losses during loading and unloading). Cooking Curve 40%, is the most commonly used. Cooking Curve settings from 0% (no time adjustment) to 100% (max time adjustment) are available. As a general rule the longer the cooking time the lower the cooking curve, the shorter the cooking time the higher the cooking curve.

Pulse Fan Function: A Fan Pulse Rate setting allows the fan to be programmed to cycle on and off at regular intervals during the period in the cooking cycle when there is no heat applied. (The computer will not allow the fan to be OFF whenever the heat is ON).

Steam Programming: (Optional) One Second shots of steam can be introduced at programmable intervals. Steam is typically only used when wanting to maintain moisture or achieve a specific result.

Tier Cooking: "Tiered" programming is the ability to change the cooking temperature or fan function while cooking. (i.e. some products may require high heat and the fan to be LO for the first half of the cooking cycle. Tier 1 would be programmed with the Heat up and the fan LO and Tier 2 would then be programmed with the heat lowered and the fan HI for the remainder of the cycle.) Multiple shelf baking function is disabled when using Tier Baking programs.

Vent Programming: The vent can be programmed to be either open or closed. Most baking should be done with the vent closed. Open the vent only with high moisture products to avoid seepage of condensed moisture around the front of the door.

BAKING HINTS

- Always maintain a consistent cooking process. Establish a process that works for you, write it down and stick to it. Consistency in your cooking processes is very important to the quality of your bake.
- Always weigh your product. This will give you a more consistent size, color and quality.
- Do not overload pans or space product unevenly in the pan as this will create a uneven bake.
- Bent or warped pans can greatly affect the evenness of the bake.
- Always use the oven lights to view the product through the oven door windows. Do not open the oven doors during baking as this will change the baking characteristics and produce erratic results.
- If using baker's parchment, be sure the parchment does not blow over the product or obstruct air flow in any way. This will create a uneven bake. Never use aluminum foil in your convection oven.
- Use proper sheet pans for baking. i.e. Aluminum pans have better heat transference than steel pans and therefore yield much better bake results.

LOADING THE OVEN

- When loading the oven, stage products and racks so the oven doors are opened for the least amount of time during the loading process to minimize the loss of heat inside the oven.
- Center each pan on the oven shelves. Spaces should be maintained equally between the pan edges and the oven walls, front and back. This will allow for an even distribution of airflow. The better the air flow around the product, the better and more consistent the bake.
- Load the pans on the shelves as close to equal distant apart as possible. Even vertical spacing of the pans on shelves 1 thru 6 inside the oven is important to the proper circulation of air and therefore will have an effect on the quality of your bake.
 - When loading the oven randomly, (Different times for different shelves) load the oven from the center shelf out with even vertical spacing.
 - When loading multiple pans at the same time, load the shelves spaced as equal distant as possible with even vertical spacing.

UNLOADING THE OVEN

- Unload the top shelf before the bottom shelves. This is necessary because it is a characteristic of all ovens that, after the fan shuts down, rising heat and the hot oven ceiling causes the top shelf to bake quicker. This characteristic is more pronounced when baking at higher temperatures and/or for prolonged periods of time.
- Always stage your product racks so that you can unload quickly with the door open for a minimal amount of time. This is to preserve the temperature inside the oven cavity for your next round of baking.



CAUTION

ALWAYS KEEP THE AREA NEAR THE UNIT FREE FROM COMBUSTIBLE MATERIALS.

KEEP FLOOR IN FRONT OF EQUIPMENT CLEAN AND DRY. IF SPILLS OCCUR, CLEAN IMMEDIATELY TO AVOID THE DANGER OF SLIPS OF FALLS.

EnviroZONE PROGRAMING

When using the EnviroZone Control Panel follow these simple steps.

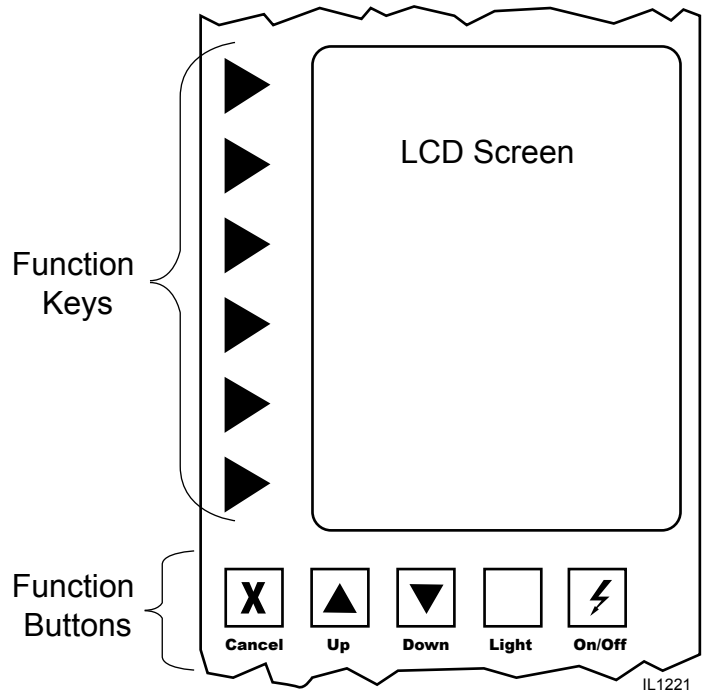
Function Keys: Are active when selecting an option that is displayed on the LCD Screen.

Function Buttons:

Cancel: During Program Mode it will take you to the next step, otherwise it will take you back to the previous menu.

Up & Down: Will move you through the selections/ settings displayed on the LCD Screen which will be used when programming your specific requirements. (Example: access codes, temperature settings, cooking time, curve , fan speed etc.)

On/Off: Main Power Switch



2M-W741 Gas Full Size Computerized Convection Oven GCSF

Programming Step Contents:

- Step 7 Select Product Icon,
- Step 8 Select Product Name,
- Step 9 Select Product Temperature,
- Step 10 Select Tier Cook Time,
- Step 11 Select Cooking Curve,
- Step 12 Select Fan Speed,
- Step 13 Select Steam One Shot Seconds,
- Step 14 Select Pulse Rate,
- Step 15 Select Vent Start Minutes,
- Step 16 Select Vent Open Minutes,
- Step 18 Continue To Next Tier

Cooking Curve: Cooking curve is a programmable function that adjusts the cooking time to compensate for planned times when the oven temperature would be lower than the programmed temperature. (i.e. temperature loses during loading and unloading). Cooking Curve 40%, is the most commonly used. Cooking Curve settings from 0% (no time adjustment) to 100% (max time adjustment) are available. As a general rule the longer the cooking time the lower the cooking curve, the shorter the cooking time the higher the cooking curve.

Pulse Fan Function: A Fan Pulse Rate setting allows the fan to be programmed to cycle on and off at regular intervals during the period in the cooking cycle when there is no heat applied. (The computer will not allow the fan to be OFF whenever the heat is ON).

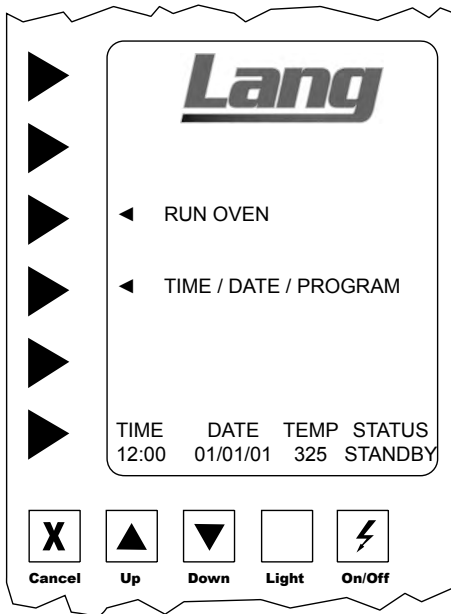
Steam Programming: (Optional) One Second shots of steam can be introduced at programmable intervals. Steam is typically only used when wanting to maintain moisture or achieve a specific result.

Tier Cooking: "Tiered" programming is the ability to change the cooking temperature or fan function while cooking. (i.e. some products may require high heat and the fan to be LO for the first half of the cooking cycle. Tier 1 would be programmed with the Heat up and the fan LO and Tier 2 would then be programmed with the heat lowered and the fan HI for the remainder of the cycle.)

Multiple shelf baking function is disabled when using Tier Baking programs.

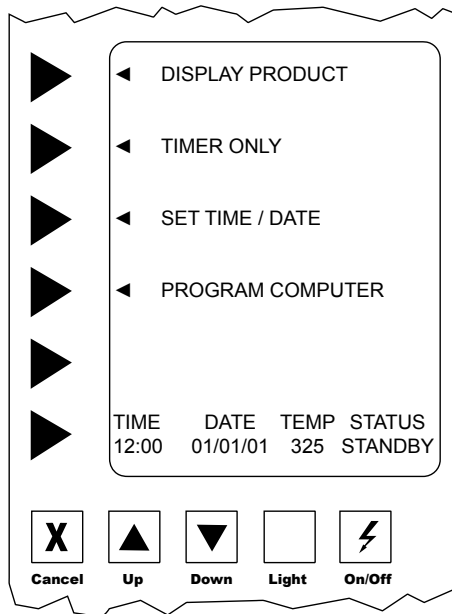
Vent Programming: The vent can be programmed to be either open or closed. Most baking should be done with the vent closed. Open the vent only with high moisture products to avoid seepage of condensed moisture around the front of the door.

EnviroZONE PROGRAMING

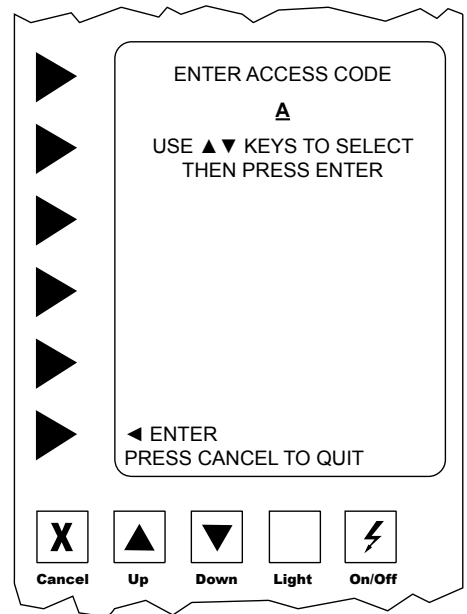


Step 1. Turn power switch on. If the oven is on, press cancel until the above screen is displayed.

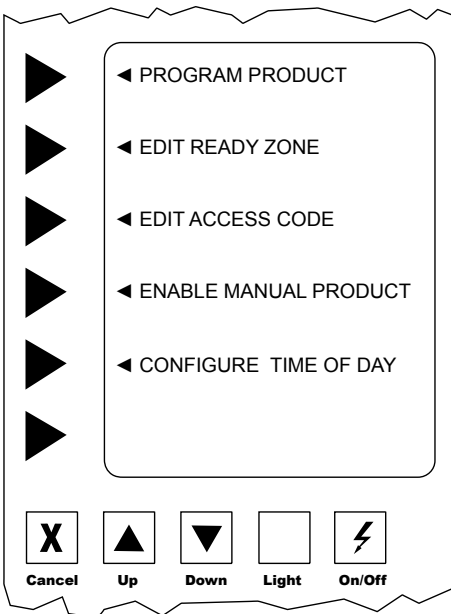
Step 2. Select **TIME/DATE/PROGRAM**



Step 3 Select **PROGRAM COMPUTER**

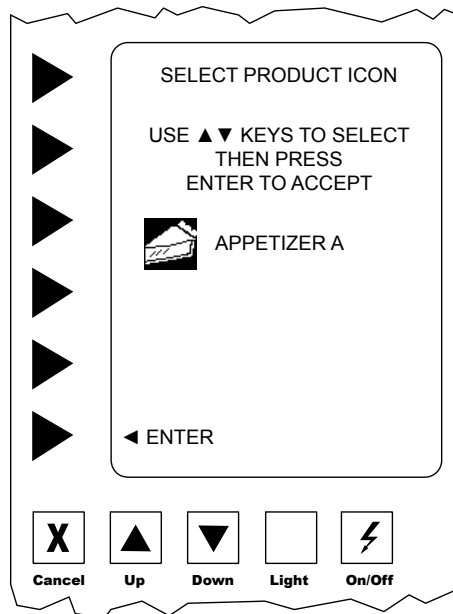


Step 4 Using the ▲▼ arrows, enter access code "A B C D E F" hitting **ENTER** after each letter.



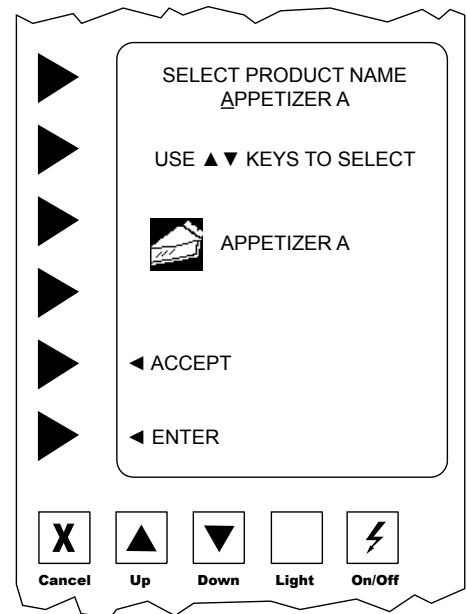
Step 5 Select **PROGRAM PRODUCTS** then

Step 6 Select **CREATE NEW PRODUCTS**



Step 7 **Select Product Icon,** This is the first screen in creating a product program. Press ▲▼ until you find a icon which resembles your product.

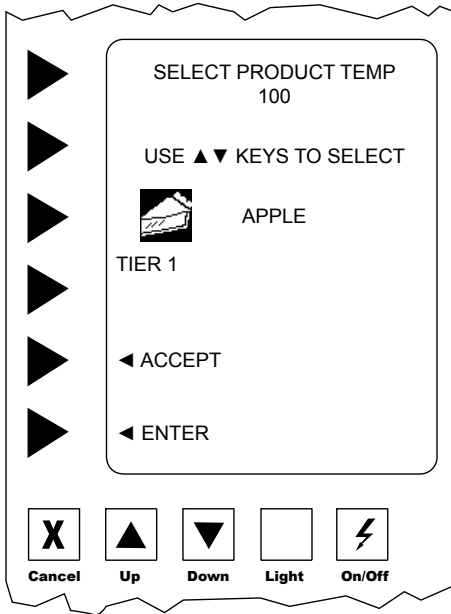
Select **ENTER** to accept the icon and move to the next screen.



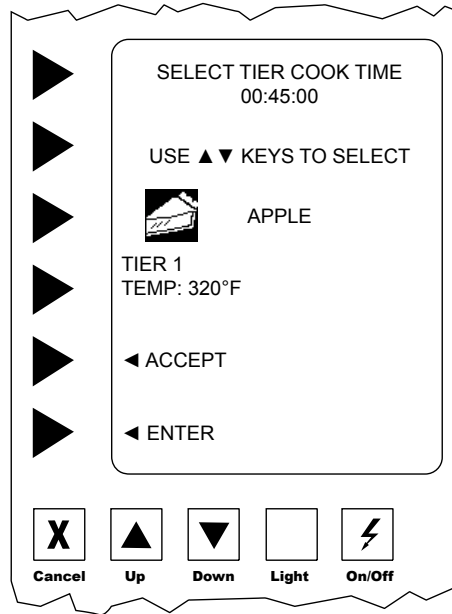
Step 8 **Select Product Name,** This is where you enter the name of the product into the computer. Using the ▲▼ keys type over the default name, blank space is before the A and after the 9.

Select **ACCEPT** to continue.

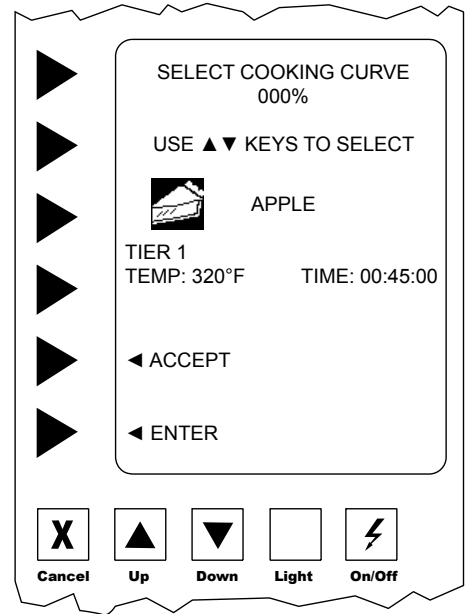
Note: Curser must be moved past the last digit to save the entire entry.



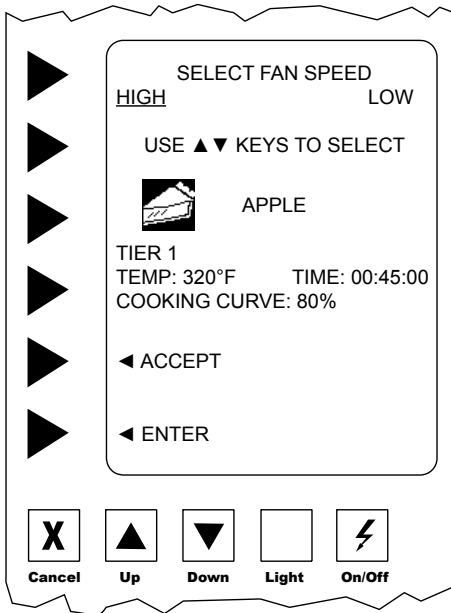
Step 9 Select Product Temperature,
Press the ▲▼ to select the first digit, then press **ENTER** to move to the next digit. It will automatically move to the next screen after the third digit.



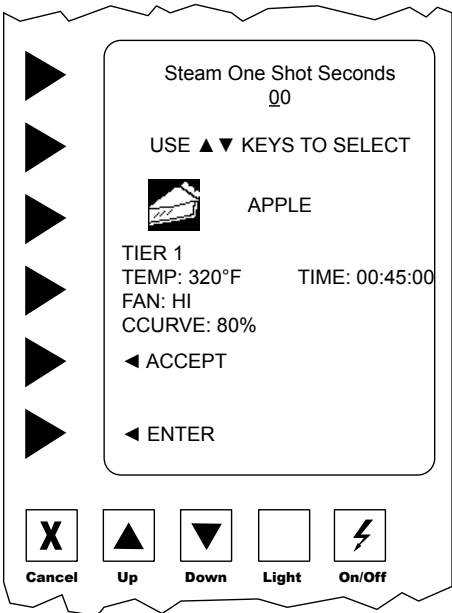
Step 10 Select Tier Cook Time,
Time is entered in hours:minutes:seconds. The maximum is 12:59:59.
Select **ENTER** to move the cursor to the place you want to enter the number.
Select **ACCEPT** to continue.



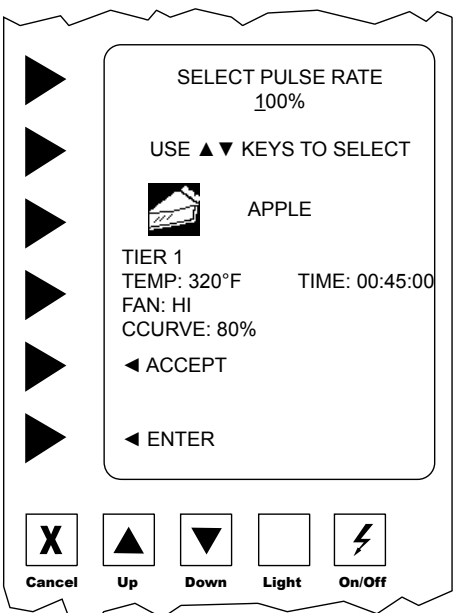
Step 11 Select Cooking Curve,
press ▲▼ to select the numbers, press the **ENTER** to move the cursor to the next space.
Cooking Curve may be any number between 0% and 100%.
Select **ACCEPT** to continue.



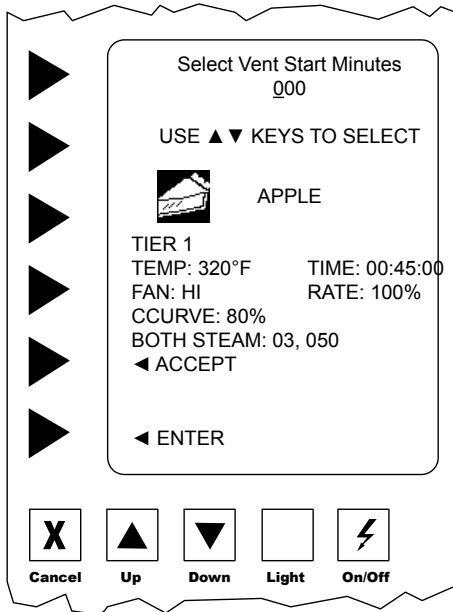
Step 12 Select Fan Speed,
Press the ▲▼ to move the cursor between the HIGH and LO settings.
Press **ENTER** to make your selection and move to the next screen.



Step 13 Select Steam One Shot Seconds,
Press the ▲▼ to select the first digit, then press **ENTER** to move to the next digit.
Select **ACCEPT** to continue.



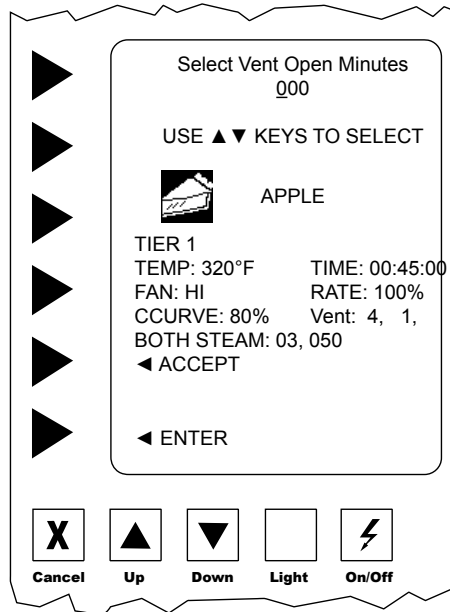
Step 14 Select Pulse Rate,
Press the ▲▼ to select the first digit, then press **ENTER** to move to the next digit. It will automatically move to the next screen after the third digit.



Step 15 Select Vent Start Minutes,

Press the ▲▼ to select the first digit, then press **ENTER** to move to the next digit. It will automatically move to the next screen after the third digit.

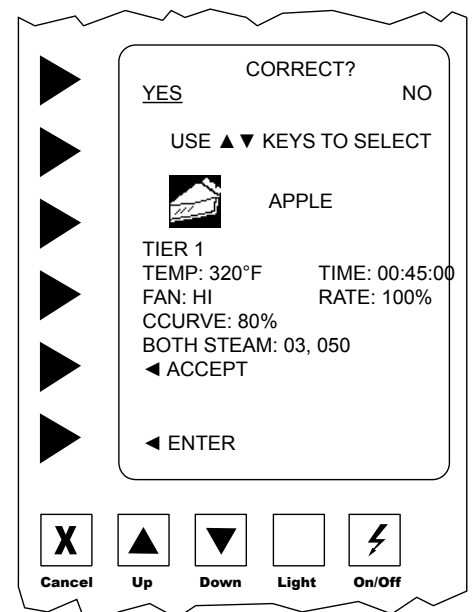
Select **ACCEPT** to continue.



Step 16 Select Vent Open Minutes,

Press the ▲▼ to select the first digit, then press **ENTER** to move to the next digit. It will automatically move to the next screen after the third digit.

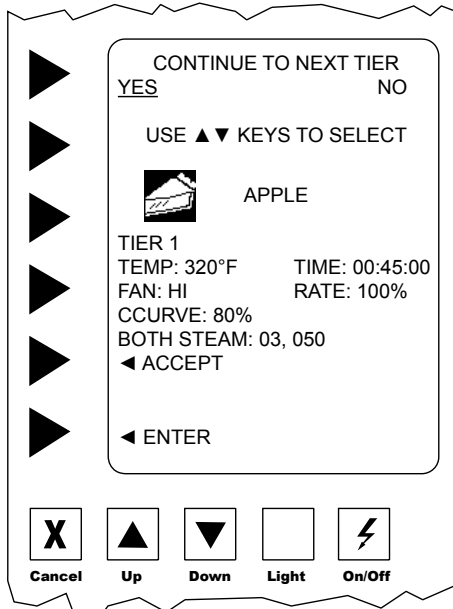
Select **ACCEPT** to continue.



Step 17 Correct

The computer is asking if the display is correct. If any part of the program is incorrect press ▲▼ **NO**, and you will be taken back to Step 7.

Selecting **YES** will advance the screen.

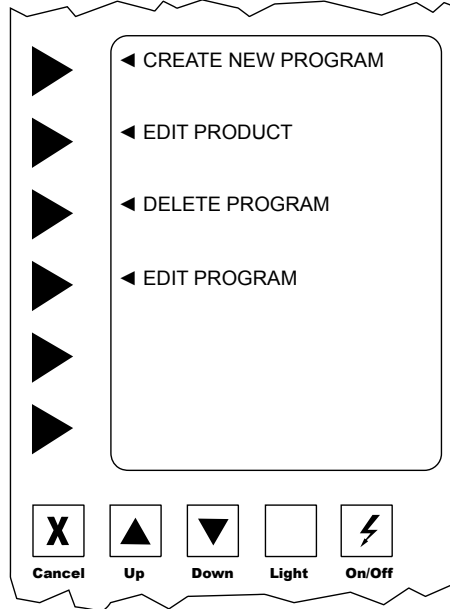


Step 18 Continue To Next Tier

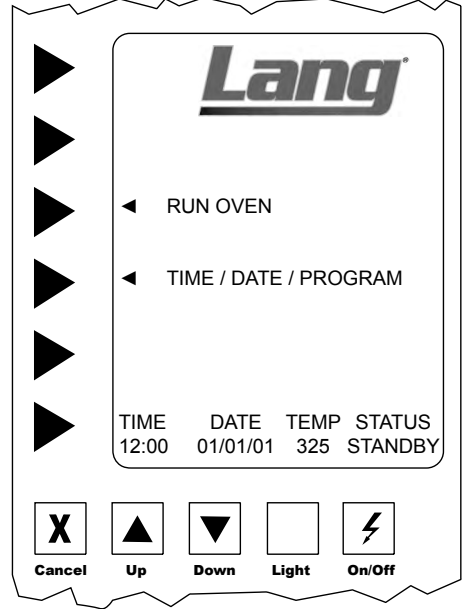
The cursor automatically appears on **NO**. Select **ENTER** or **ACCEPT** to end programming or

move the cursor ▲▼ to **YES**.

This will allow you to enter another tier to this program, repeating steps 6 - 14 to program second tier.



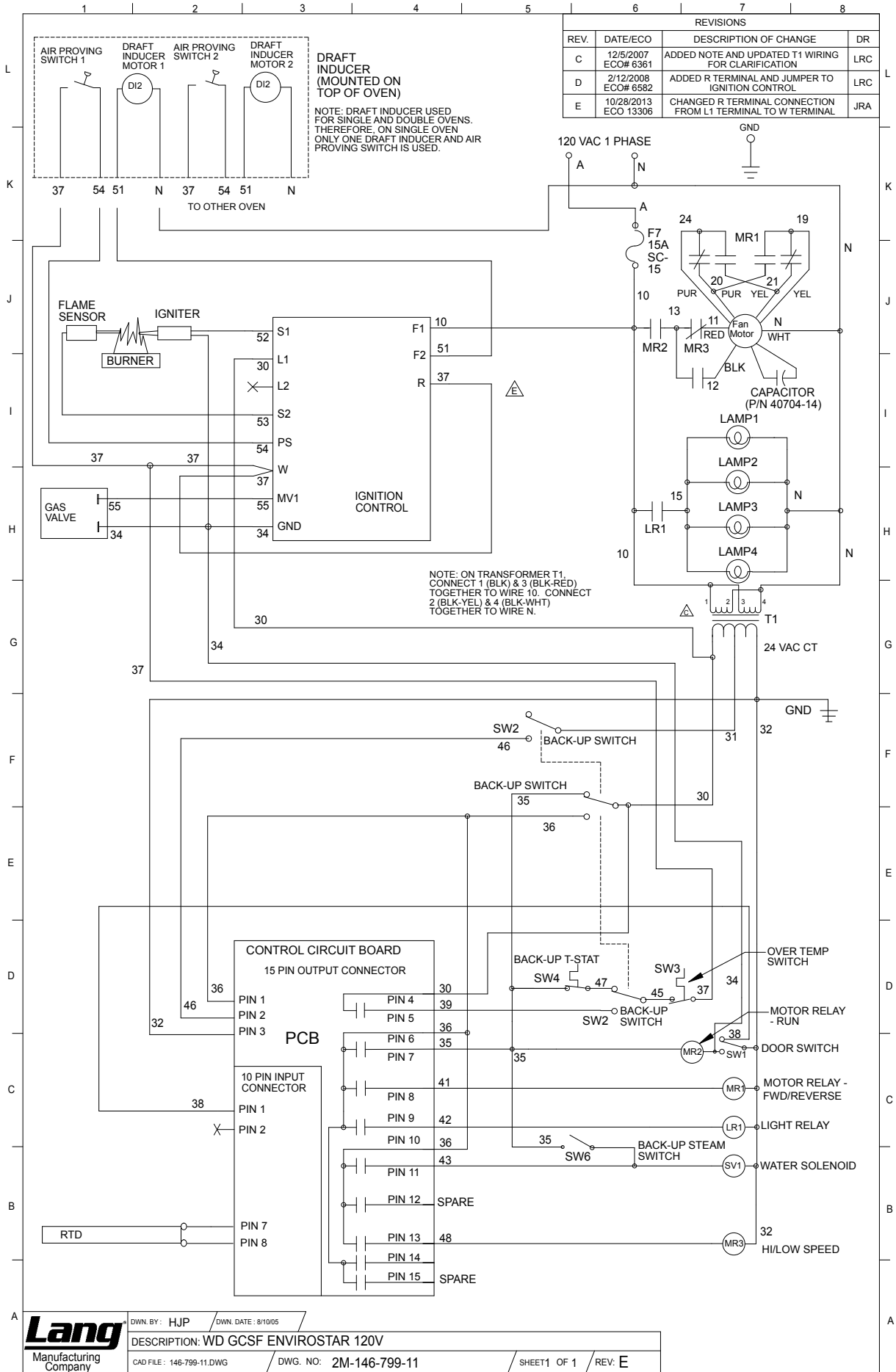
Step 19 After programming the last tier, the computer will automatically advance the screen to program more products. If no other products need to be programmed, select **CANCEL** three times to advance screen to the boot up screen.



Step 20 Boot-up Screen

You may now preheat the oven for any product you have programmed.

Step 21 Select RUN OVEN



REVISIONS			
REV.	DATE/ECO	DESCRIPTION OF CHANGE	DR
C	12/5/2007 ECO# 6361	ADDED NOTE AND UPDATED T1 WIRING FOR CLARIFICATION	LRC
D	2/12/2008 ECO# 6582	ADDED R TERMINAL AND JUMPER TO IGNITION CONTROL	LRC
E	10/28/2013 ECO 13306	CHANGED R TERMINAL CONNECTION FROM L1 TERMINAL TO W TERMINAL	JRA

DRAFT INDUCER (MOUNTED ON TOP OF OVEN)

NOTE: DRAFT INDUCER USED FOR SINGLE AND DOUBLE OVENS. THEREFORE, ON SINGLE OVEN ONLY ONE DRAFT INDUCER AND AIR PROVING SWITCH IS USED.

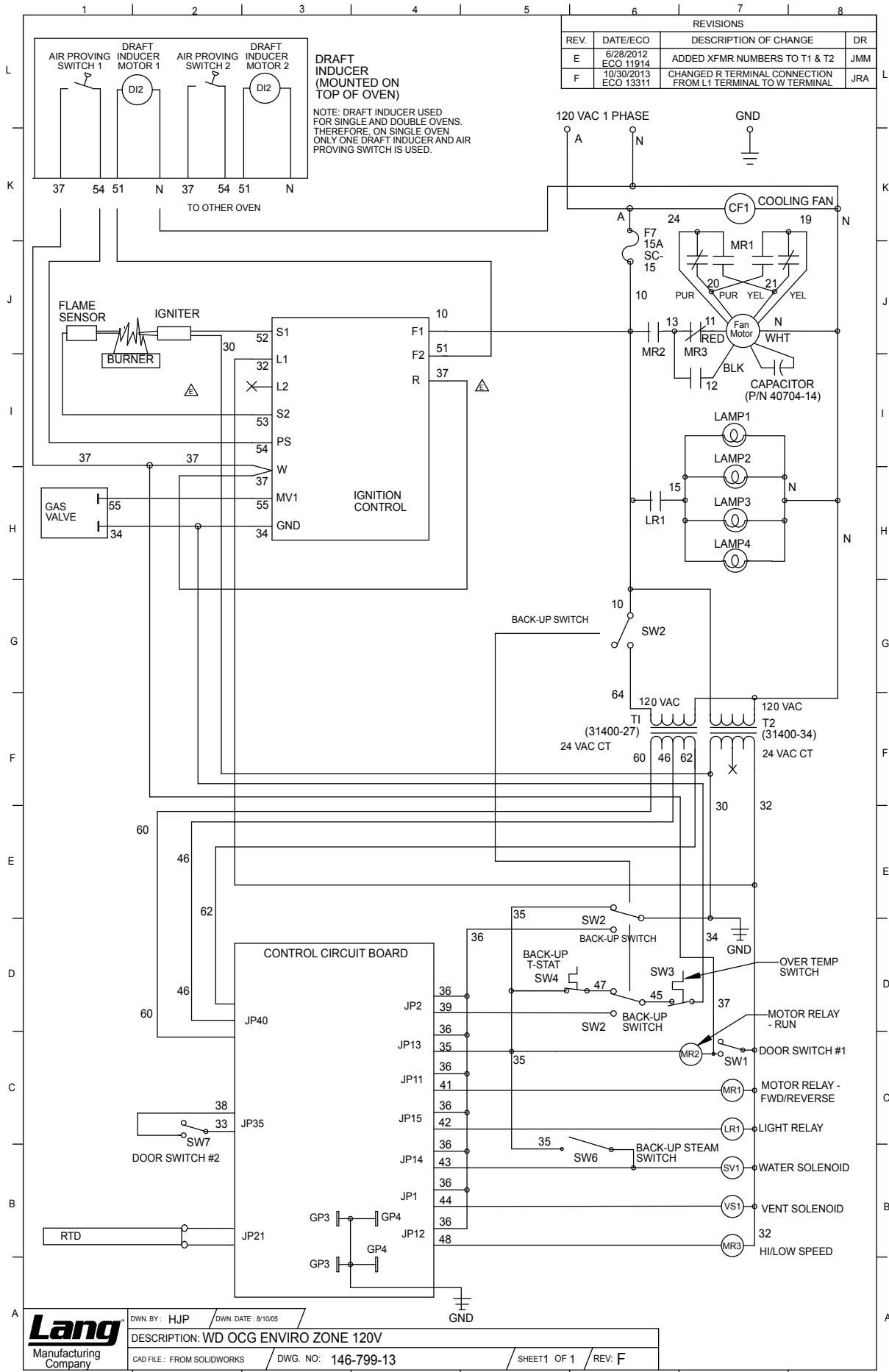
NOTE: ON TRANSFORMER T1, CONNECT 1 (BLK) & 3 (BLK-RED) TOGETHER TO WIRE 10. CONNECT 2 (BLK-YEL) & 4 (BLK-WHT) TOGETHER TO WIRE N.

Lang Manufacturing Company

DWN BY: HJP / DWN DATE: 8/10/05

DESCRIPTION: WD GCSF ENVIROSTAR 120V

CAD FILE: 146-799-11.DWG / DWG. NO: 2M-146-799-11 / SHEET1 OF 1 / REV: E



REVISIONS			
REV.	DATE/ECO	DESCRIPTION OF CHANGE	DR
E	6/28/2012 ECO 11914	ADDED XFMR NUMBERS TO T1 & T2	JMM
F	10/30/2013 ECO 13311	CHANGED R TERMINAL CONNECTION FROM L1 TERMINAL TO W TERMINAL	JRA

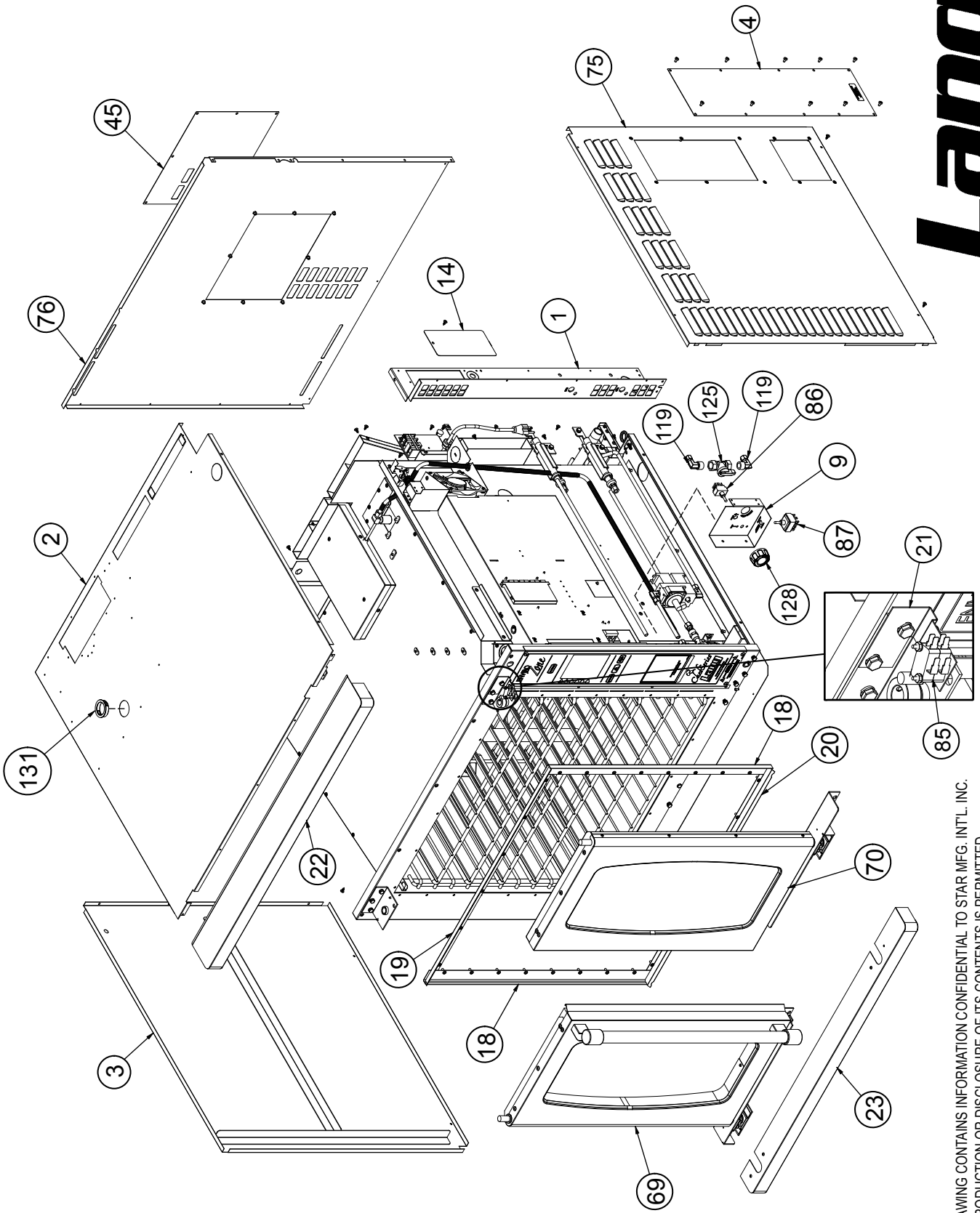
DRAFT INDUCER (MOUNTED ON TOP OF OVEN)

NOTE: DRAFT INDUCER USED FOR SINGLE AND DOUBLE OVENS. THEREFORE, ON SINGLE OVEN ONLY ONE DRAFT INDUCER AND AIR PROVING SWITCH IS USED.

2M-W741 Gas Full Size Computerized Convection Oven GCSF

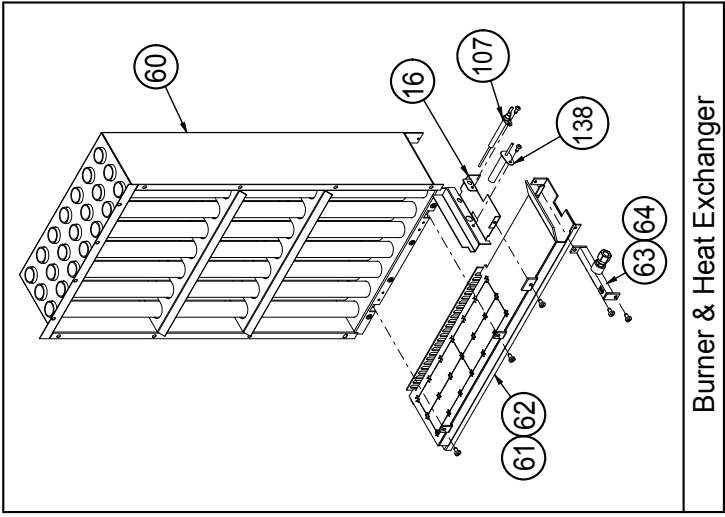


DWN. BY: HJP / DWN. DATE: 8/10/05
 DESCRIPTION: WD OCG ENVIRO ZONE 120V
 CAD FILE: FROM SOLIDWORKS / DWG. NO: 146-799-13
 SHEET 1 OF 1 / REV: F

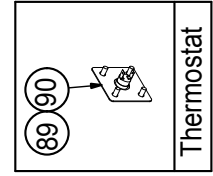


THIS DRAWING CONTAINS INFORMATION CONFIDENTIAL TO STAR MFG. INTL. INC.
 NO REPRODUCTION OR DISCLOSURE OF ITS CONTENTS IS PERMITTED.

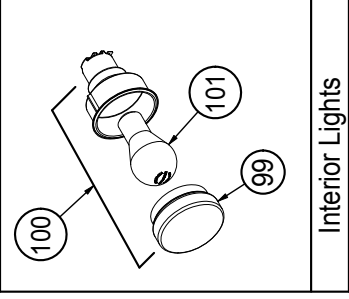
MODEL: GCSF Main Exterior Assy



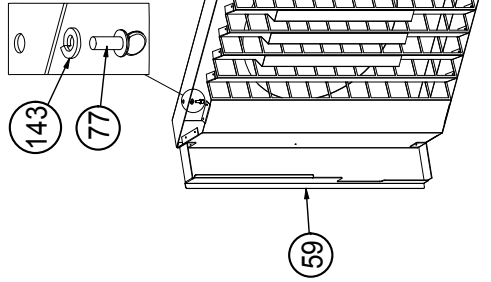
Burner & Heat Exchanger



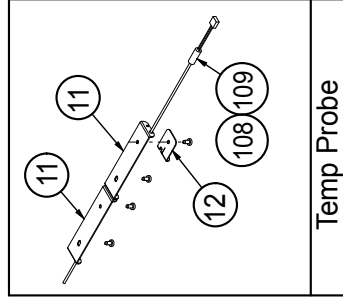
Thermostat



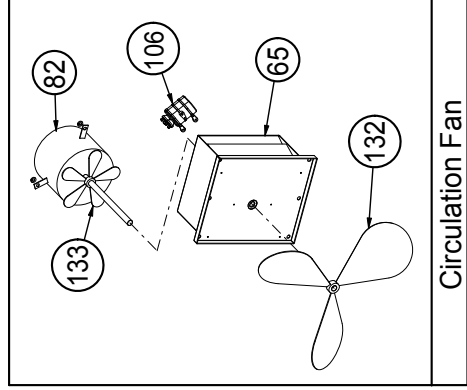
Interior Lights



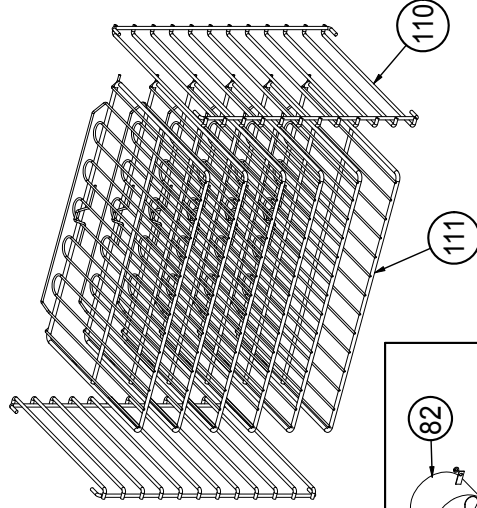
59



Temp Probe



Circulation Fan



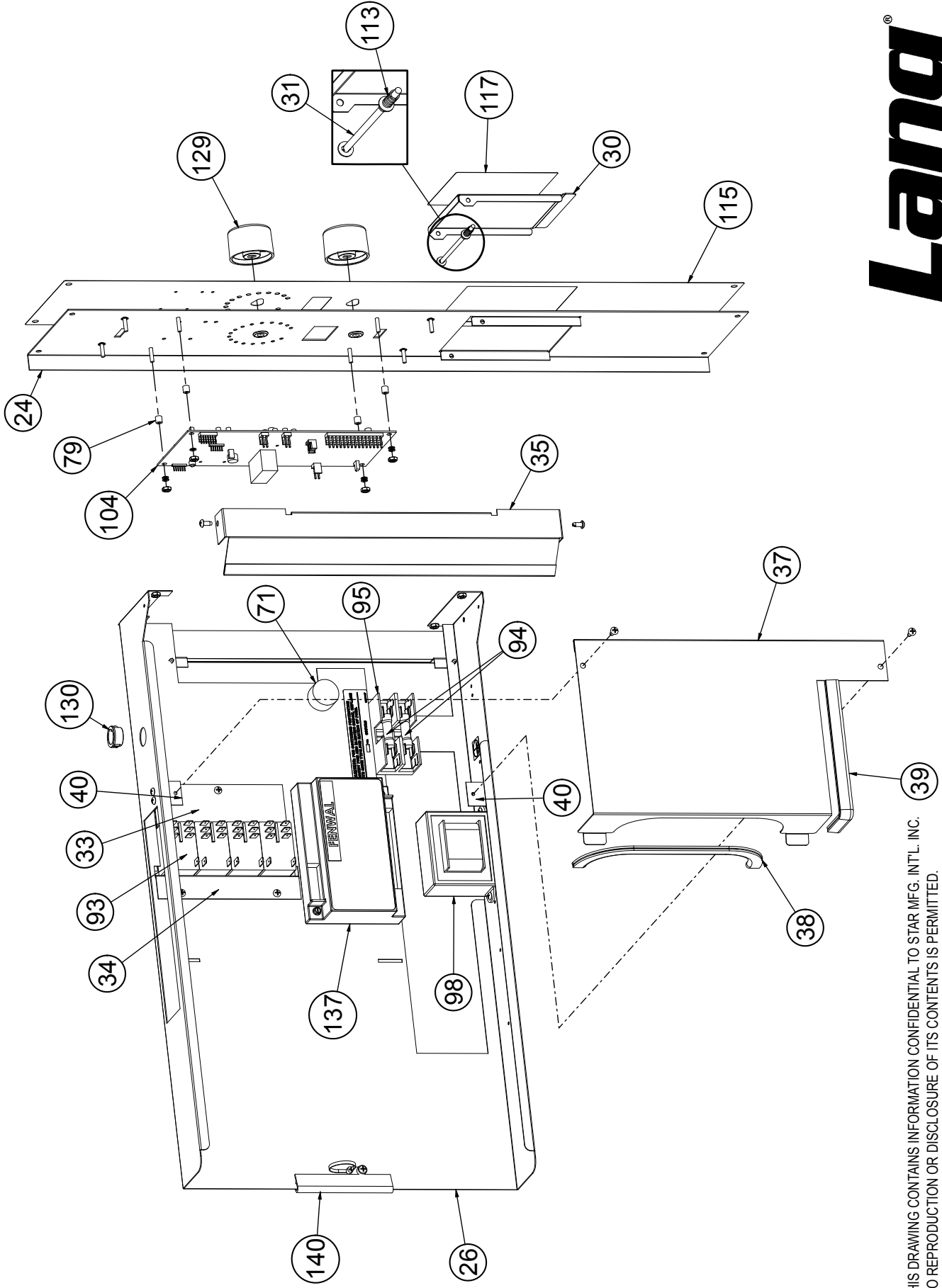
110

Lang

IL1312 Rev. A 6/10/08

THIS DRAWING CONTAINS INFORMATION CONFIDENTIAL TO STAR MFG. INT'L. INC.
NO REPRODUCTION OR DISCLOSURE OF ITS CONTENTS IS PERMITTED.

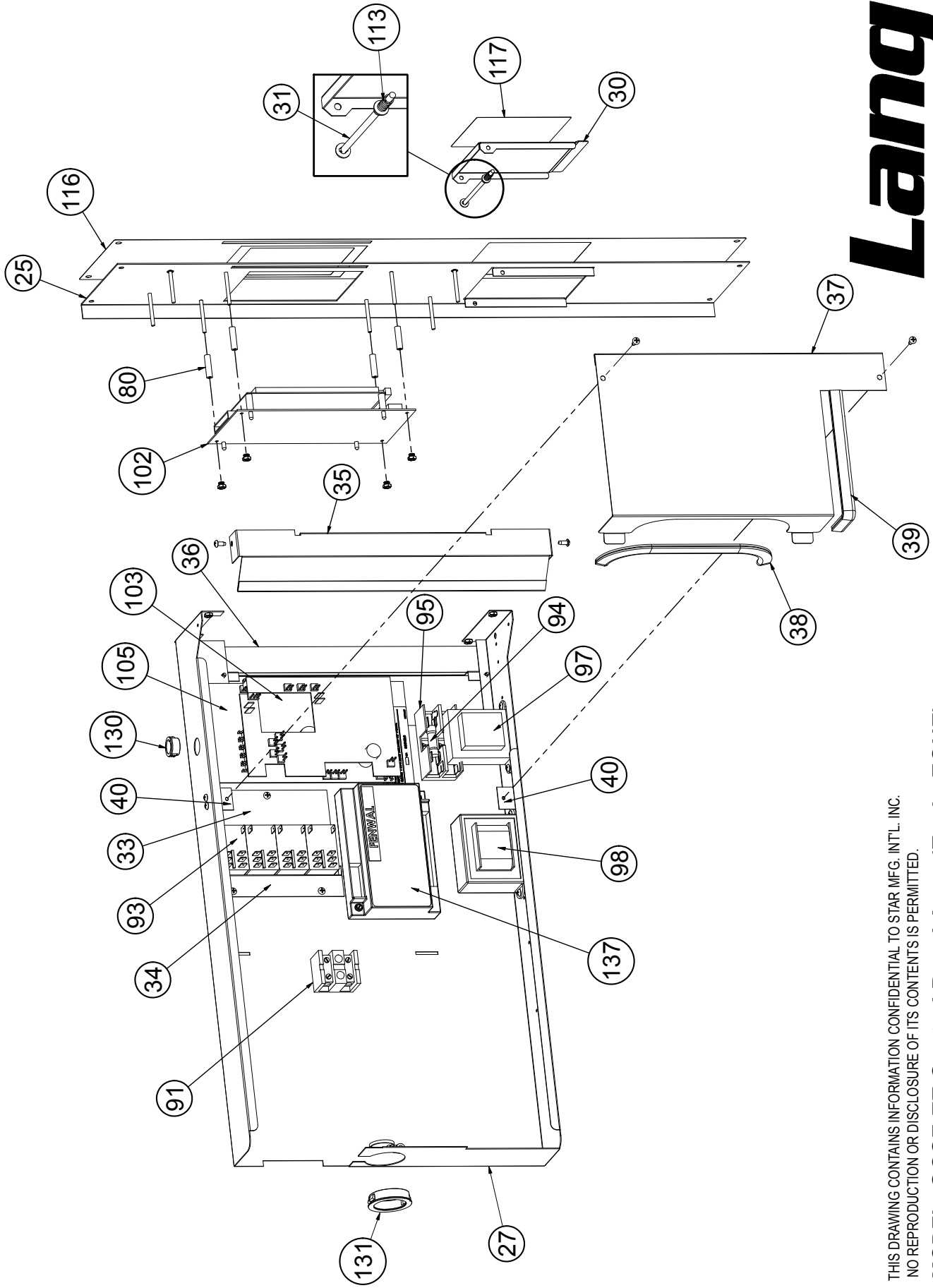
MODEL: GCSF Main Interior Assy



Lang®

IL1316 Rev. - 3/28/07

THIS DRAWING CONTAINS INFORMATION CONFIDENTIAL TO STAR MFG. INT'L. INC.
 NO REPRODUCTION OR DISCLOSURE OF ITS CONTENTS IS PERMITTED.
 MODEL: GCSF-ES Control Panel Assy (EnviroSTAR)

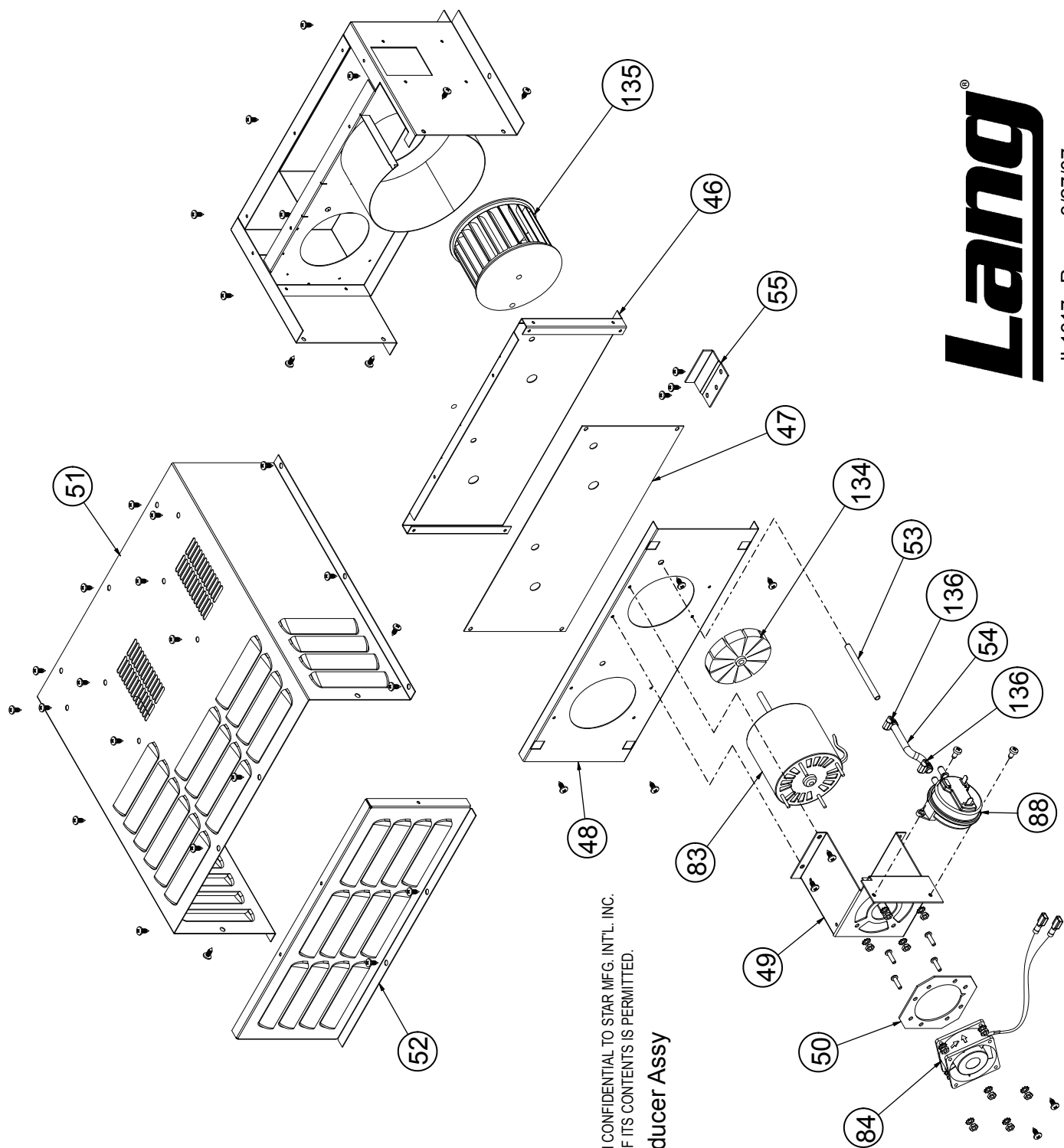


THIS DRAWING CONTAINS INFORMATION CONFIDENTIAL TO STAR MFG. INT'L. INC.
 NO REPRODUCTION OR DISCLOSURE OF ITS CONTENTS IS PERMITTED.

MODEL: GCSF-EZ Control Panel Assy (EnviroZONE)

Lang[®]

IL1315 Rev. - 3/28/07

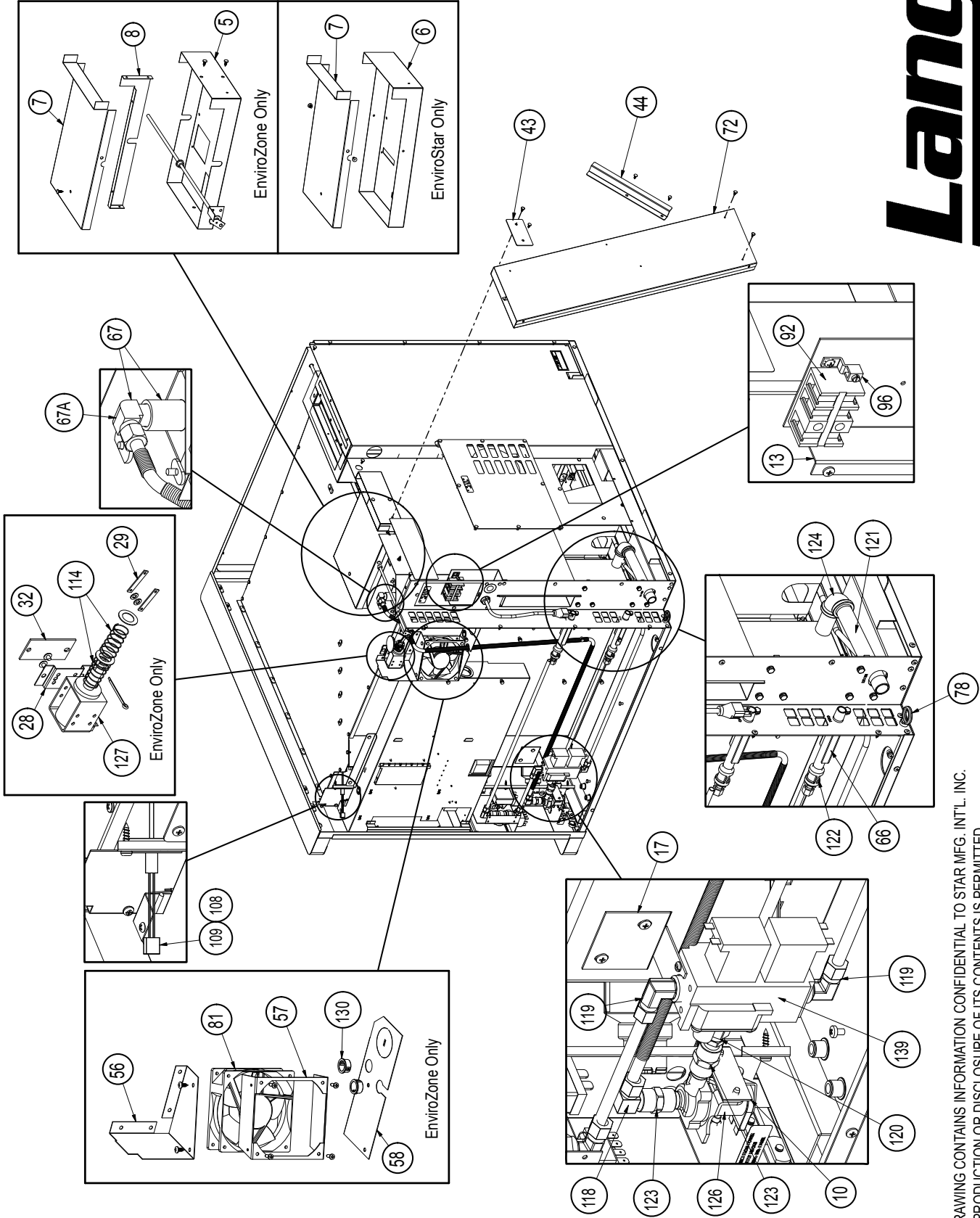


THIS DRAWING CONTAINS INFORMATION CONFIDENTIAL TO STAR MFG. INT'L. INC.
 NO REPRODUCTION OR DISCLOSURE OF ITS CONTENTS IS PERMITTED.

MODEL: GCSF Draft Inducer Assy

Lang[®]

IL1317 Rev. - 3/27/07



THIS DRAWING CONTAINS INFORMATION CONFIDENTIAL TO STAR MFG. INT'L. INC.
 NO REPRODUCTION OR DISCLOSURE OF ITS CONTENTS IS PERMITTED.

MODEL: GCSF Below Skin Level Assy



GCSF-ES, GCSF-EZ Gas Full Size Convection Oven Parts List

Fig No.	Part Number	Quantity Per	Description	Fig No.	Part Number	Quantity Per	Description
1	Q9-146-102-1	1	RIGHT REAR CORNER	49	Q9-146-426-1	1	INDUCER MOTOR BRACKET
2	Q9-146-103-21	1	BODY TOP - OCG	50	Q9-146-426-2	1	INDUCER FAN ADAPTER PLATE
3	Q9-146-104	1	BODY LEFT SIDE	51	Q9-146-427-1	1	INDUCER COVER
4	Q9-146-105-01	1	RH SIDE ACCESS COVER	52	Q9-146-428	1	INDUCER COVER FRONT
6	Q9-146-126-1	1	BOTTOM POWER VENT E-S	53	Q9-146-430-1	1	INDUCER AIR FLOW SENSING
7	Q9-146-127	1	TOP POWER VENT	54	Q9-146-431-1	1	AIR FLOW SENSING TUBE
9	Q9-146-149-1	1	BACKUP CONTROL BRACKET	55	Q9-146-432	1	INDUCER HOLD DOWN CLIP
10	Q9-146-150	1	WATER SOLONOID BRACKET	56	Q9-146-490	1	CTRL PANEL COOLING FAN BRKT
11	Q9-146-160	2	PROBE HOLDER	57	Q9-146-491	1	CTRL PANEL COOLING FAN MOUNT
12	Q9-146-161	1	PROBE CLAMP	58	Q9-146-493	1	CTRL PANL FAN BTM DEFLECTOR
13	Q9-146-162	1	SERVICE ENTRANCE BOX	59	Q9-146-720-2	1	INTAKE COVER ASSY-OCG
14	Q9-146-163	1	SERVICE ENTRANCE COVER	60	Q9-146-728	1	HEATR MODULE WELDMNT ASY
15	Q9-146-165-1	1	BURNER ACCESS COVER	62	Q9-146-729-2	1	BURNER ASSY -NAT / PROPANE
16	Q9-146-212	1	IGNITOR & SENSOR BRACKET	63	Q9-146-730	1	SQ. ORIFICE TUBE ASY - NG
17	Q9-146-230	1	GAS VALVE BRACKET	64	Q9-146-730-2	1	SQ. ORIFICE TUBE ASY -
18	Q9-146-316	2	DOOR GASKET SIDES	65	Q9-146-736	1	MOTOR BRACKET WELD
19	Q9-146-317	1	DOOR GASKET TOP	66	Q9-146-737-1	2	WATER INLET ASSY
20	Q9-146-318	1	DOOR GASKET BOTTOM	67	Q9-146-738	1	WATER INLET ASSY
21	Q9-146-322	1	DOOR SWITCH BRACKET	67A	2K-70101-04	1	BRAS TBE ELBW 3/8NPTM-3/8
22	Q9-146-330	1	HINGE COVER TOP	68	Q9-146-740	1	STEAMER ASSY
23	Q9-146-331	1	HINGE COVER BOTTOM	69	Q9-146-745	1	DOOR ASSY LH
24	Q9-146-350	1	CONTROL PANEL - ENVIROSTAR	70	Q9-146-750	1	DOOR ASSY RH
25	Q9-146-350-1	1	CONTROL PANEL - ENVIROZONE	71	Q9-146-762	1	BUZZER ASSY
26	Q9-146-351	1	COMPONENT MOUNT ENVIRO	72	Q9-146-765	1	STACKING VENT ASSY
30	Q9-146-356	1	COVER CONTROL PANEL DOOR	73	Q9-146-775-11	1	DRAFT INDUCER ASSY SINGLE
31	Q9-146-357	1	BACK UP DOOR HINGE ROD	74	Q9-146-775-21	1	DRAFT INDUCER ASSY DOUBLE
33	Q9-146-359	1	RELAY CLAMP	75	Q9-146-776	1	BODY SIDE ASSY RH W/AVK
34	Q9-146-360	1	RELAY CLAMP BASE	76	Q9-146-778	1	BODY BACK W/AVKS
35	Q9-146-361	1	PC BOARD HEAT SHIELD	77	2C-20112-03	4	SCRW THUMB 1/4-20X1/2 SS
36	Q9-146-362	1	PC BOARD PROTECTOR	78	2C-20119-01	1	EYEBLTFORGD/SHLDR1/4-20X1
37	Q9-146-363	1	COMPONENT WIRE COVER	79	2A-20501-05	4	SPCR FBR 1/4 OD #6 ID 1/4
38	Q9-146-363-1	1	TRIMLOCK 8:750	80	2A-20504-02	4	SPACER NYLON #6 1/4 X 1
39	Q9-146-363-2	1	TRIMLOCK 7:500	81	2U-30200-45	1	MTR W/FAN AXIAL 115VAC70C
40	Q9-146-364	2	COMPONENT WIRE COVER CLIP	82	2U-30200-68	1	MOTOR OCG 120V
41	Q9-146-404	2	STACKING CLIP	83	2U-30200-70	1	MOTOR OCG VENT FAN
42	Q9-146-405	1	VENT COVER	84	2U-30200-71	1	FAN AXIAL 60MMX30MM 115V
43	Q9-146-408	1	VENT PASSTHROUGH UPPER	85	2E-30301-19	1	SWT MIN. LEVER ACTUAT
44	Q9-146-409	1	REAR PANEL STANDOFF ANGLE	86	2E-30303-16	1	SWT TOG ON-ON BLK MOM
45	Q9-146-413	1	ACCESS PANEL - MOTOR	87	2E-30303-26	1	SWTCH 3PDT
46	Q9-146-423-1	1	INDUCER INSULATION PLATE	88	2E-30303-27	1	SWT TOGGLE ON-ON 4PDT
47	Q9-146-424-1	1	INDUCER INSULATION COVER	88	2E-30308-08	1	AIR SWITCH .1 WC
48	Q9-146-425-1	1	INDUCER FAN BEZEL	89	Q9-30401-30-2	1	SWT KIT STAT FXD 550 DEG



GCSF-ES, GCSF-EZ Gas Full Size Convection Oven Parts List

Fig No.	Part Number	Quantity Per	Description	Fig No.	Part Number	Quantity Per	Description
91	2E-30500-08	1	TRM BLOCK 2 POLE SMALL 95	128	Y9-70701-17-1	1	KNOB 4500 B PHANTOM
92	2E-30500-09	1	TRM BLOCK 3 POLE SMALL 95	129	2R-70701-45-1	2	BKKNOB RED TOP 6MM W/D
93	2E-30701-05	4	CONTC 2POLE 30A 24VAC P &	130	2K-70801-04	3	SNAP BUSH 3/4 SB750-10
94	2E-30900-10	2	FUSE 15AMP 300V (SC-15)	130	2K-70801-04	5	SNAP BUSH 3/4 SB750-10
95	2E-30901-12	1	FUSE HOLDER 600V 2 POLE	131	2K-70801-08	1	SNAP BUSH 1 3/4 SB1750-22
96	2E-31200-02	1	LUG GROUNDING UL APPROVED	132	2U-71500-16	1	FAN - NCO 16 IN
98	2E-31400-34	1	XFORMR 120-240/25.2VAC CT	133	2U-71500-17	1	FAN - NCO 6 IN
99	2S-31602-08-2	4	LMP GLBE SP FR31602-08@09	134	2U-71500-18	1	FAN - OCG COOLING FAN
100	2S-31602-09	4	LAMP FIXTURE RANGE W/130V	135	2U-71500-19	1	BLOWER WHEEL OCG INDUCER
101	2S-31602-09-1	4	130V BULB {FOR 31602-09}	136	2C-71700-03	1	HOSE CLAMP 1/2
102	2J-40102-25	1	DSPLY 302X240 DB170-001	137	PS-SK-W1353	1	KIT, SERVICE GCSF MODULE
103	2J-40102-51	1	CIRBD FILTER	138	2J-80302-13	1	IGNITER 1325-1425C - OCG
104	2J-40102-W64	1	CONTROL - OCE/OCG	139	2V-80505-18	1	GAS VALVE - OCG
105	09-40102-70	1	MAIN BOARD, OCE/OCG	140	Q9-EH-502-1	1	TRIMLOCK 4
106	2E-40704-14	1	CAP 7.5 MFD 370VAC	141	9Q-GCSF-IK-1	1	INSTALL KIT-SINGLE OVEN
107	2E-41100-36	1	SENSOR FLAME PROBE OCG	142	9Q-GCSF-IK-2	1	INSTALL KIT-DOUBLE OVEN
108	2E-41100-38	1	SENSOR TEMP ECSF/GCSF	143	2C-20204-02	4	WASHER SS 1/4 SPLIT LOCK
	2E-41100-41	1	SENSOR TEMP ECSF/GCSF	144	2C-20109-15	14	SCRW PHD MS SS 10-32X1/2
110	2B-50200-103	2	RACK SLIDE OCE/OCG				
111	2B-50200-20	6	RACK ECCO/GCCO OVEN	NI	2P-73000-09	1	SPROCKET 5/8 BORE NOI/KEY
112	09-50312-02-1	2	DOOR CHAIN AND TURNBCKL	NI	2E-30500-09	1	TRM BLOCK 3 POLE SMALL 95
113	2P-51001-19	1	SPRING SWT DR HINGE EHS	NI	2J-40301-50	4	SOCKET CONTACT FEMALE
114	2P-51001-38	1	SPRING VENT	NI	Q9-146-727	1	HEATER MODULE-NATURAL
115	2M-60301-162	1	LABEL PANEL OCE/G ENVIROSTAR	NI	Q9-146-727-2	1	HEATER MODULE-PROPANE
116	2M-60301-166	1	LABEL PANEL OCE/G ENVIROZONE	NI	Q9-146-730	1	SQUARE ORFICE TUBE ASSY-NAT
117	2M-60301-169	1	LABEL OCE ACCESS DR W/BUP	NI	Q9-146-730-2	1	SQUARE ORFICE TUBE ASSY-LP
118	2K-70101-03	1	BRAS TBEELBOW 1/4NPT-3/8CC				
119	2K-70101-12	1	BRAS TBE ELBW 3/8CC-1/2				
120	2K-70101-54	1	BRAS TBE UNION 3/8CCX1/4				
121	2K-70302-36-1	1	PIPE NIPPLE 3/4NPT X 8BLK	NI	PS-SK-W1352	1	GCSF SUBBERS / RELAY SERVICE KIT
122	2K-70302-53	1	PIPE COUPLING 3/8X1-3/16	NI	PS-SK-W1352	1	GCSF SUBBERS / RELAY SERVICE KIT
123	2K-70303-03	1	PIPE COUPLING 1/4 NPT				
124	2K-70305-05	1	PIPE 900 ELBOW 3/4 BLK				
125	2V-70402-07	1	VALVE MANUAL GAS 1/2X1/2				
126	2V-70403-05	1	SOLENOID WATER				

STAR INTERNATIONAL HOLDINGS INC. COMPANY

Star - Holman - Lang - Wells - Bloomfield - Toastmaster

10 Sunnen Drive, St. Louis, MO 63143 U.S.A.

(314) 678-6303

www.star-mfg.com