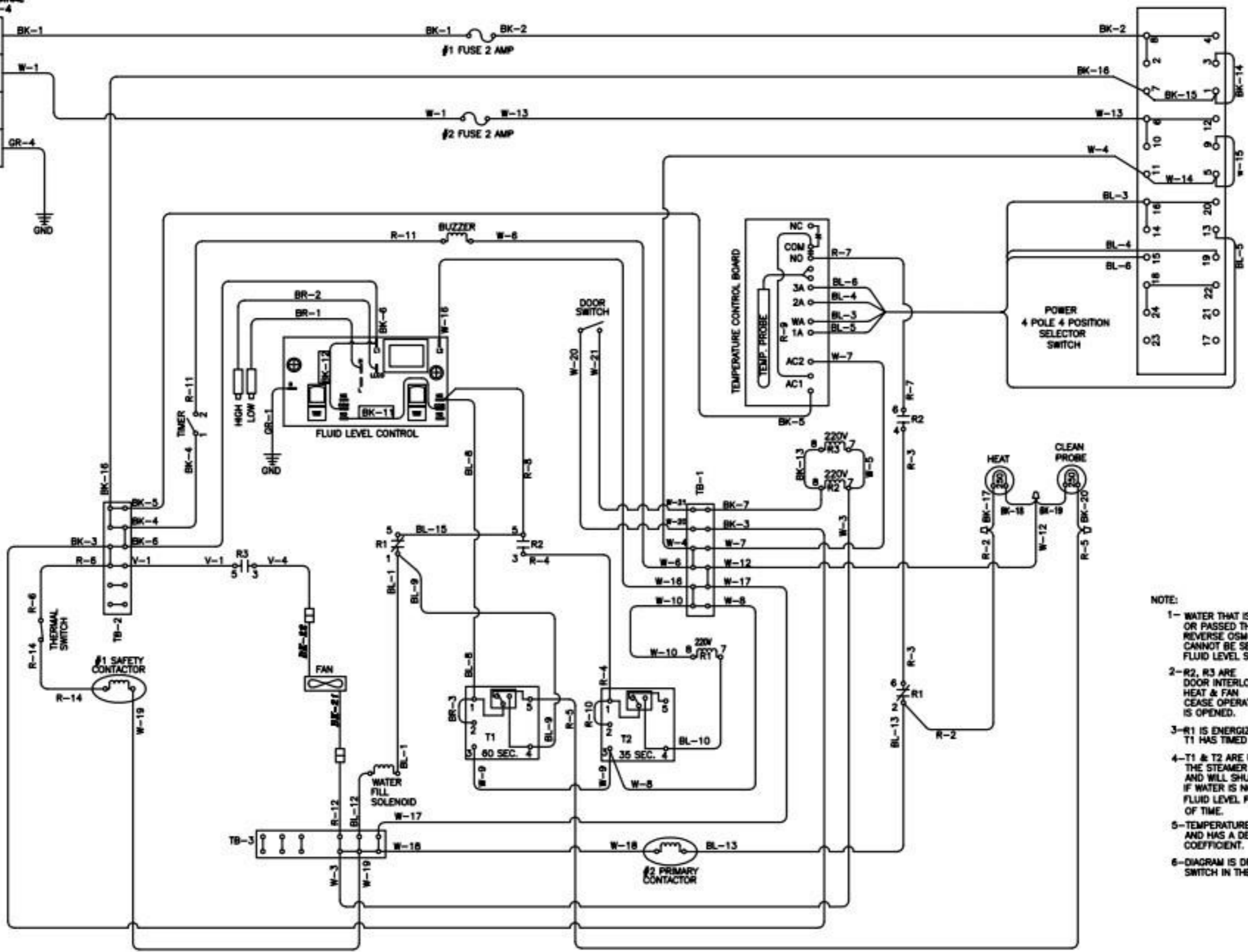


POWER TERMINAL BLOCK TB-4



- NOTE:
- 1- WATER THAT IS DE-IONIZED OR PASSED THROUGH A REVERSE OSMOSIS SYSTEM CANNOT BE SENSED BY THE FLUID LEVEL SENSE CONTROL.
 - 2-R2, R3 ARE DOOR INTERLOCK RELAYS HEAT & FAN CEASE OPERATION WHEN DOOR IS OPENED.
 - 3-R1 IS ENERGIZED WHENEVER T1 HAS TIMED OUT.
 - 4-T1 & T2 ARE USED TO PREVENT THE STEAMER FROM OVERFILLING AND WILL SHUT THE STEAMER OFF IF WATER IS NOT SENSED BY THE FLUID LEVEL PROBES IN A SET PERIOD OF TIME.
 - 5-TEMPERATURE PROBE IS AN R.T.D. AND HAS A DESCENDING TEMPERATURE COEFFICIENT.
 - 6-DIAGRAM IS DRAWN WITH ROTARY SWITCH IN THE OFF POSITION.

SYM	DATE	REV	EDM#	BY
A	05/03/11	1	UPGRADED STELLAR 1952. INITIAL RELEASE. ECH 10/9/92	AJD

COLOR CODE
 BK-BLACK
 BL-BLUE
 BR-BROWN
 GR-GREEN
 R-RED
 Y-VIOLET
 W-WHITE
 Y-YELLOW

TOLERANCES UNLESS OTHERWISE SPECIFIED

FRACTIONS	+1/32
.0	-.032
.00	-.015
.000	-.005
ANGLES	+1°

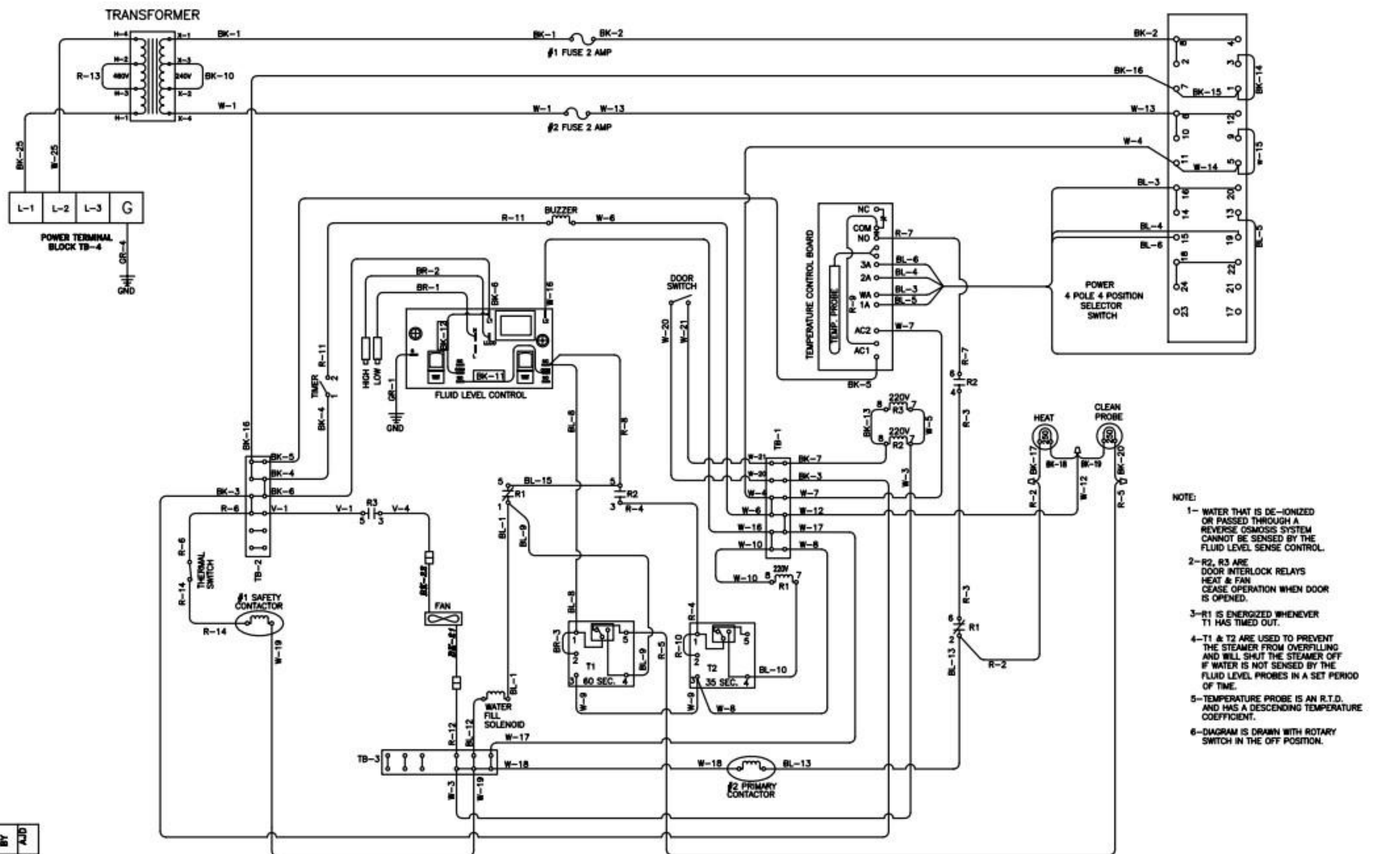
RE-BRANDING - MARKET FORGE SPECIFICATIONS 127
 CLASS 1 CLASS 2 CLASS 3

USED ON
 ALTAIR

MARKET FORGE
 EVERETT, MA. 02149

WIRE DIAGRAM, ALTAIR 4/6 PAN WATERFILL, FAN
 208/240 VOLT, SINGLE OR THREE PHASE

DRAWN	AJD	CHECKED	ENL. APP.	DESIGNER NO.	REV.
DATE	05/03/11	SCALE		C	92-0705 A



- NOTE:
- 1- WATER THAT IS DE-IONIZED OR PASSED THROUGH A REVERSE OSMOSIS SYSTEM CANNOT BE SENSED BY THE FLUID LEVEL SENSE CONTROL.
 - 2- R2, R3 ARE DOOR INTERLOCK RELAYS HEAT & FAN CEASE OPERATION WHEN DOOR IS OPENED.
 - 3- R1 IS ENERGIZED WHENEVER T1 HAS TIMED OUT.
 - 4- T1 & T2 ARE USED TO PREVENT THE STEAMER FROM OVERFILLING AND WILL SHUT THE STEAMER OFF IF WATER IS NOT SENSED BY THE FLUID LEVEL PROBES IN A SET PERIOD OF TIME.
 - 5- TEMPERATURE PROBE IS AN R.T.D. AND HAS A DESCENDING TEMPERATURE COEFFICIENT.
 - 6- DIAGRAM IS DRAWN WITH ROTARY SWITCH IN THE OFF POSITION.

SYM	DATE	REV/EDM#	BY
A	05/05/11	UPGRADED STELLAR 1706 INITIAL RELEASE. ECH 10002	AJD

COLOR CODE
 BK-BLACK
 BL-BLUE
 BR-BROWN
 GR-GREEN
 R-RED
 V-VIOLET
 W-WHITE
 Y-YELLOW

TOLERANCES UNLESS OTHERWISE SPECIFIED

FRACTIONS	+ 1/32
.0	- + .032
.00	- + .015
.000	- + .005
ANGLES	- + 1°

DE-DURING - MARKET FORME SPECIFICATIONS 127		CLASS 1 <input type="checkbox"/> CLASS 2 <input type="checkbox"/> CLASS 3 <input type="checkbox"/>	
USED ON	MARKET FORGE		
ALTAIR	EVERETT, MA. 02149		
WIRE DIAGRAM, ALTAIR 4/6 PAN WATERFILL, FAN 480 VOLT, THREE PHASE			
DRAWN	AJD	CHECKED	ENG. APP.
DATE	05/05/11	SCALE	MFG. APP.
C 92-0709		REV. A	