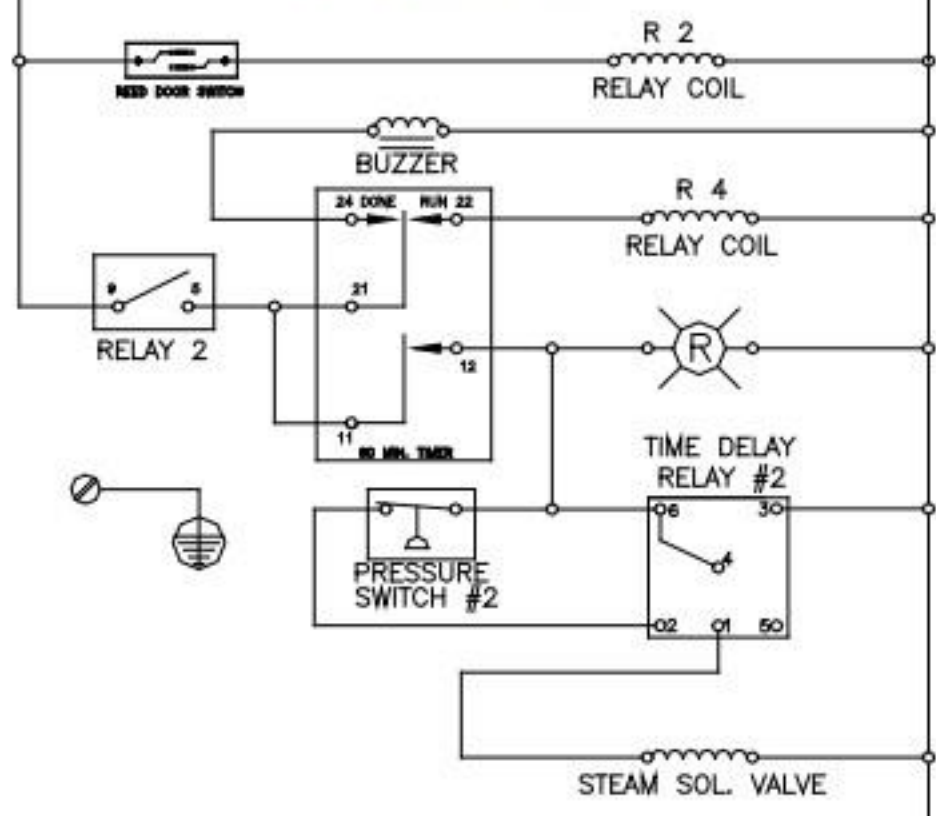
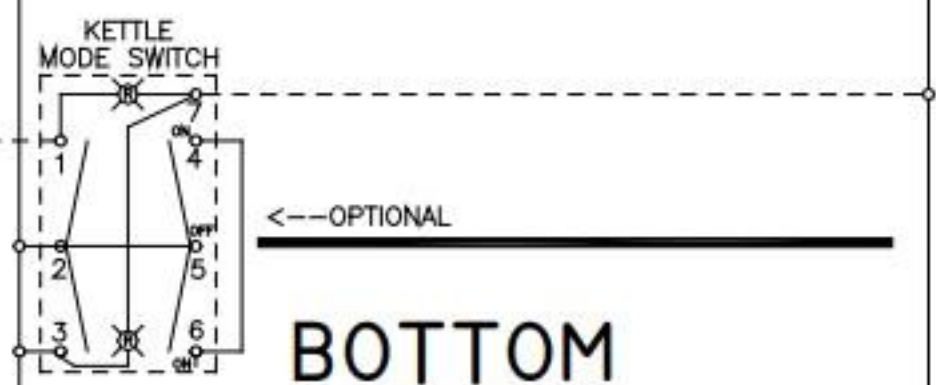
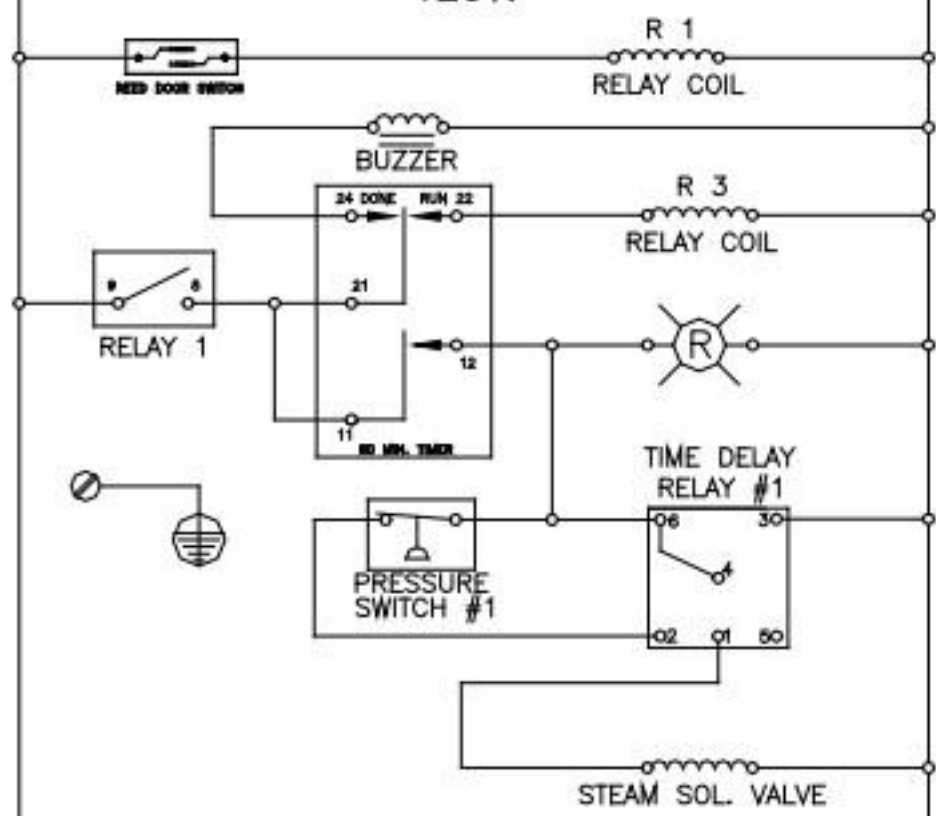
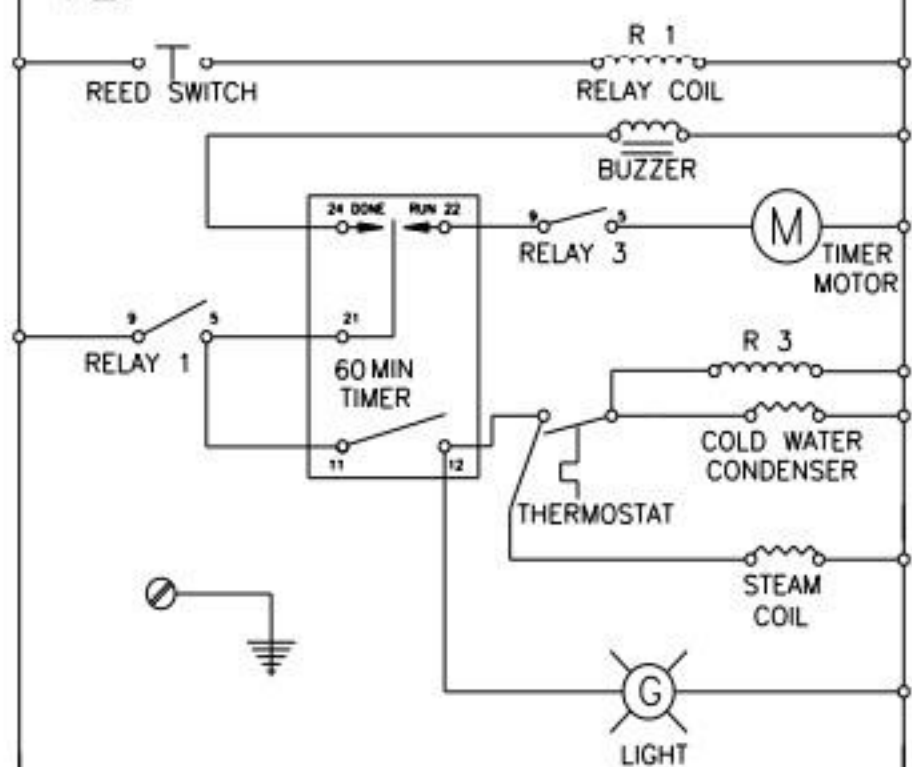


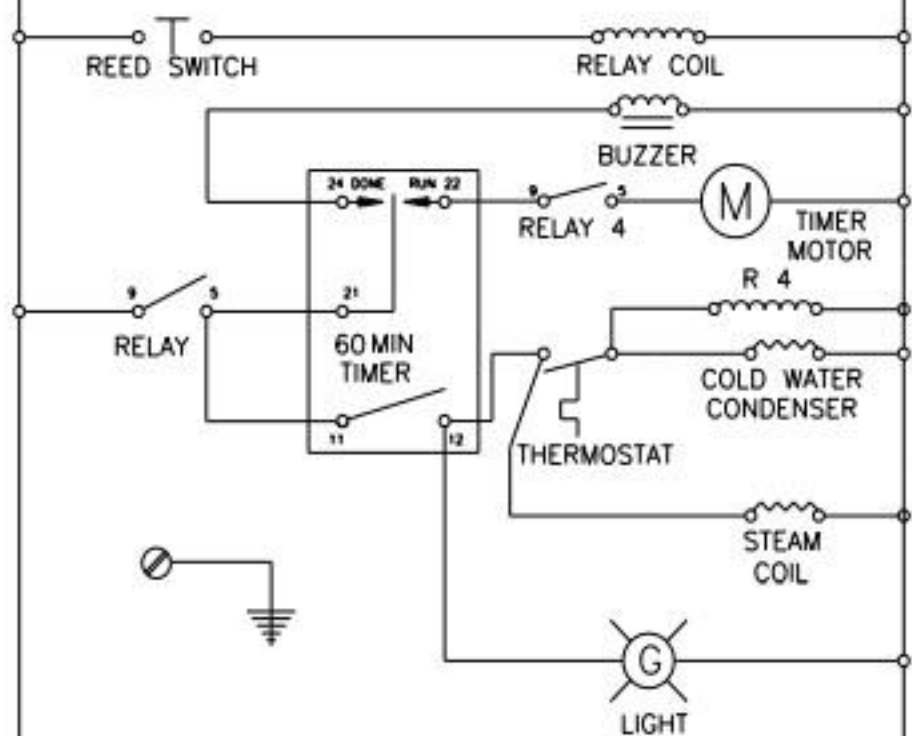
120V.



TOP

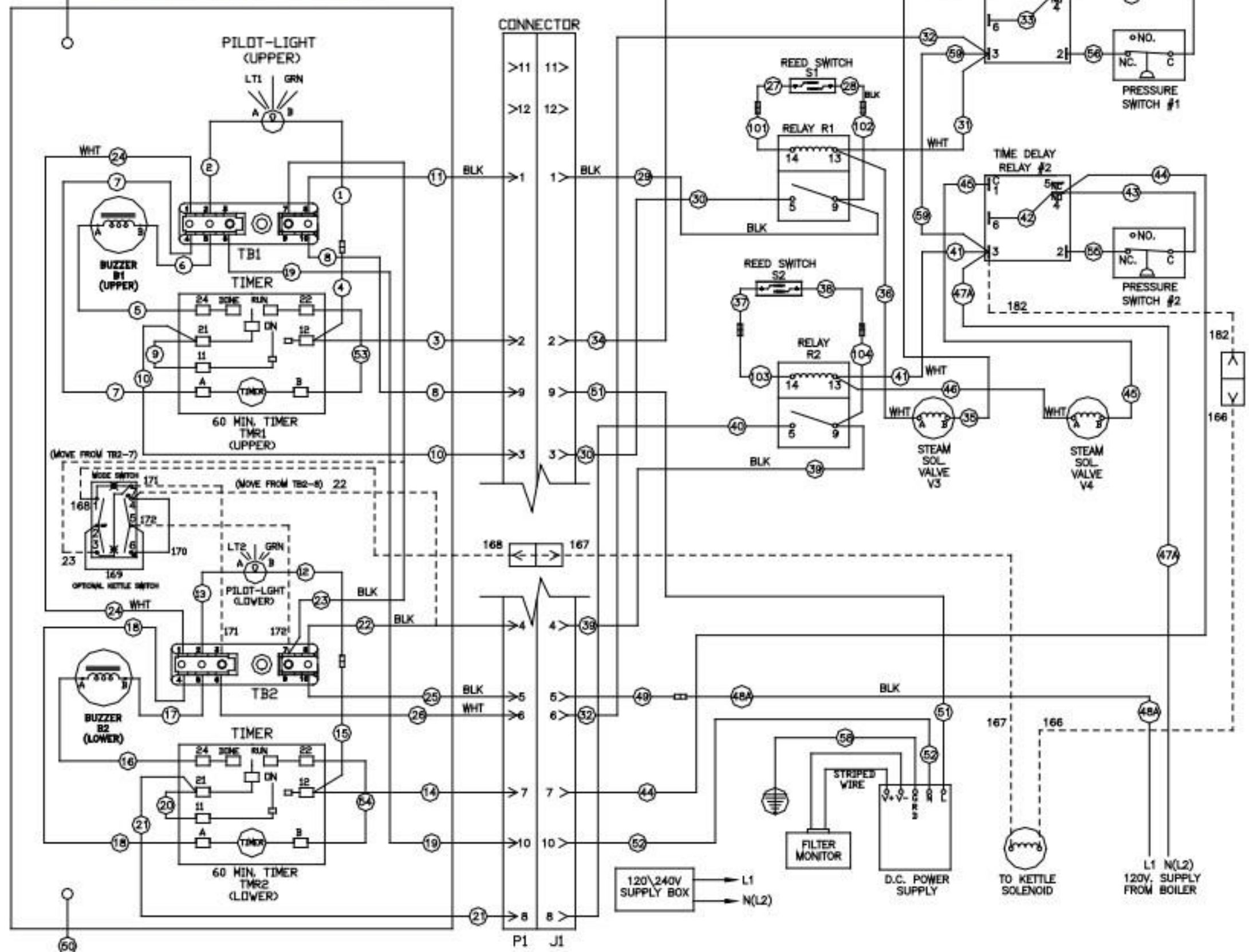


BOTTOM

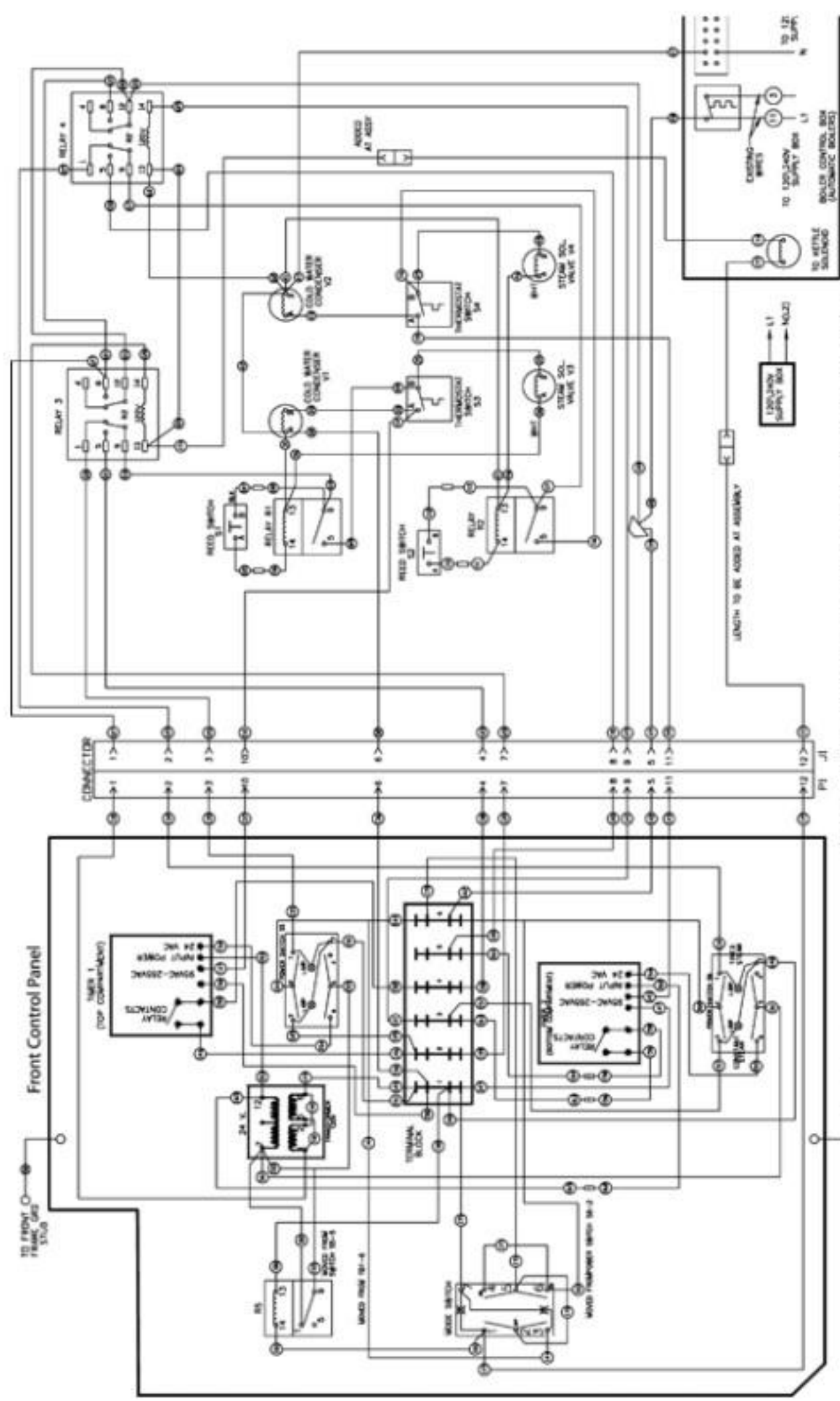


TO FRONT
FRAME GRD
STUD

FRONT CONTROL PANEL



- NOTES: 1. ALL WIRES 18 AWG AND YELLOW EXCEPT WHERE INDICATED OTHERWISE.
2. FOR WIRE LEAD SCHEDULE REFER TO DRAWING C 98-4376.
3. HIDDEN LINES REPRESENT OPTIONAL COMPONENTS AND WIRING



NOTES: 1. ALL WIRES 18 AWG AND YELLOW EXCEPT WHERE INDICATED OTHERWISE.
 2. FOR WIRE LEAD SCHEDULE REFER TO DRAWING C 91-6472.

TO FRONT FRAME (AS SHOWN)

TO FRONT FRAME (AS SHOWN)

LENGTH TO BE ADDED AT ASSEMBLY

110VAC SUPPLY BOX

BOILER CONTROL BOX (AUTOMATIC BOILER)

TO RETICLE SOLENOID

TO EXHAUST SUPPLY BOX

EXISTING WIRES

TO 12V SUPPLY

TO 12V SUPPLY

TO 12V SUPPLY

TO 12V SUPPLY

TO 12V SUPPLY

TO 12V SUPPLY

TO 12V SUPPLY

TO 12V SUPPLY

TO 12V SUPPLY

TO 12V SUPPLY

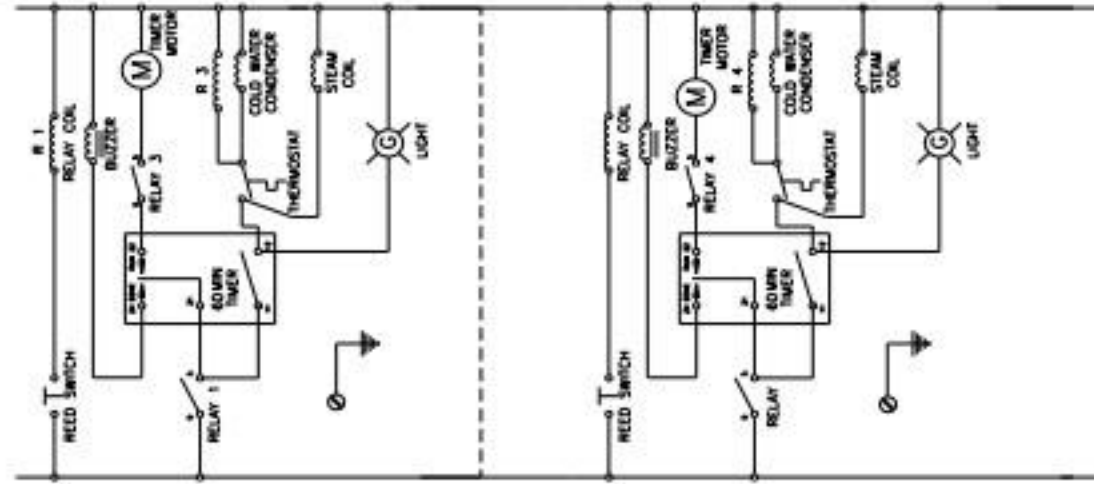
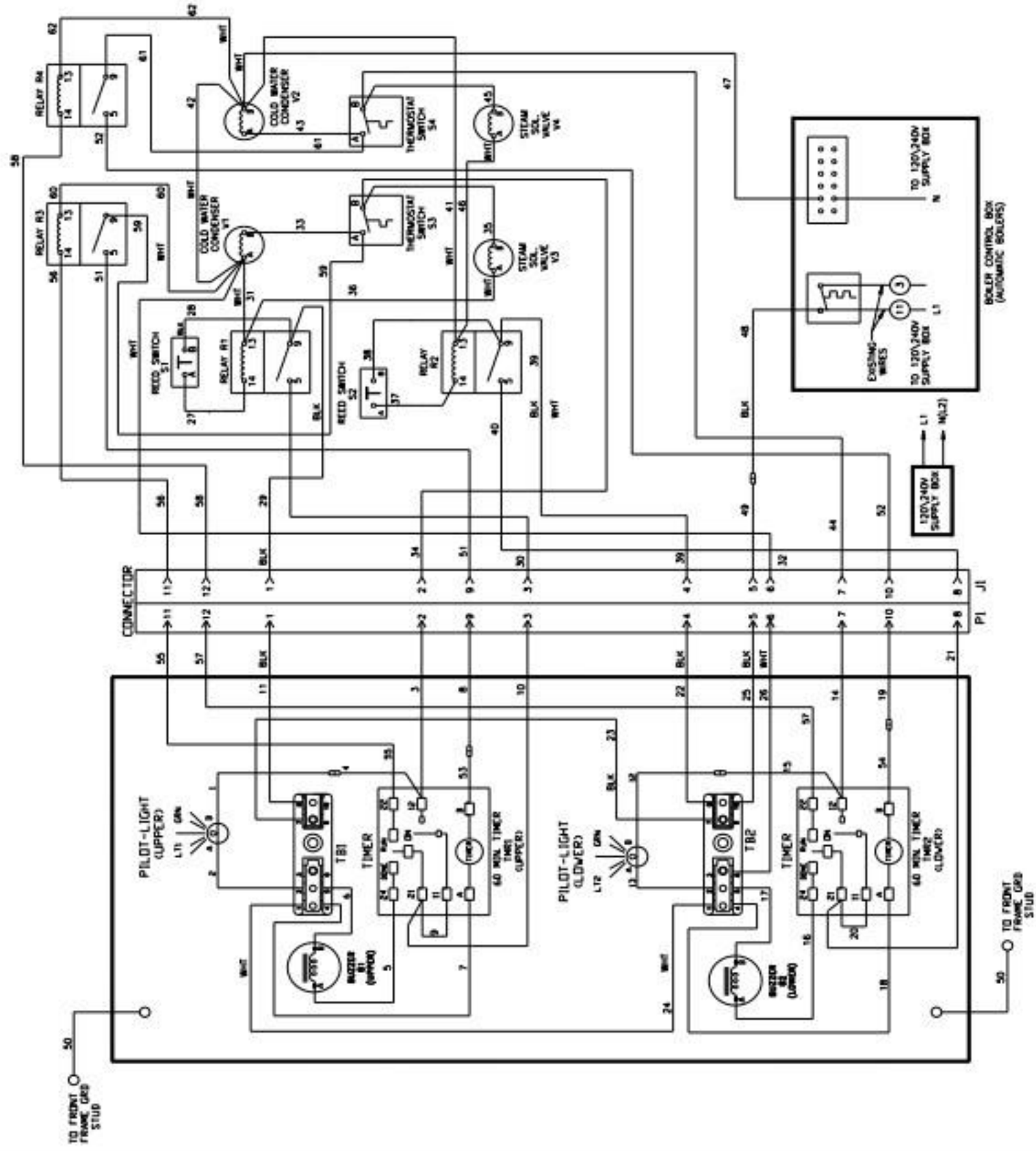
TO 12V SUPPLY

TO 12V SUPPLY

TO 12V SUPPLY

TO 12V SUPPLY

TO 12V SUPPLY



NOTES:

1. ALL WIRES 18 AWG AND YELLOW EXCEPT WHERE INDICATED OTHERWISE.
2. FOR WIRE LEAD SCHEDULE REFER TO DRAWING C 91-6472.

TO FRONT
FRAME GAS
STUD

TO FRONT
FRAME GAS
STUD