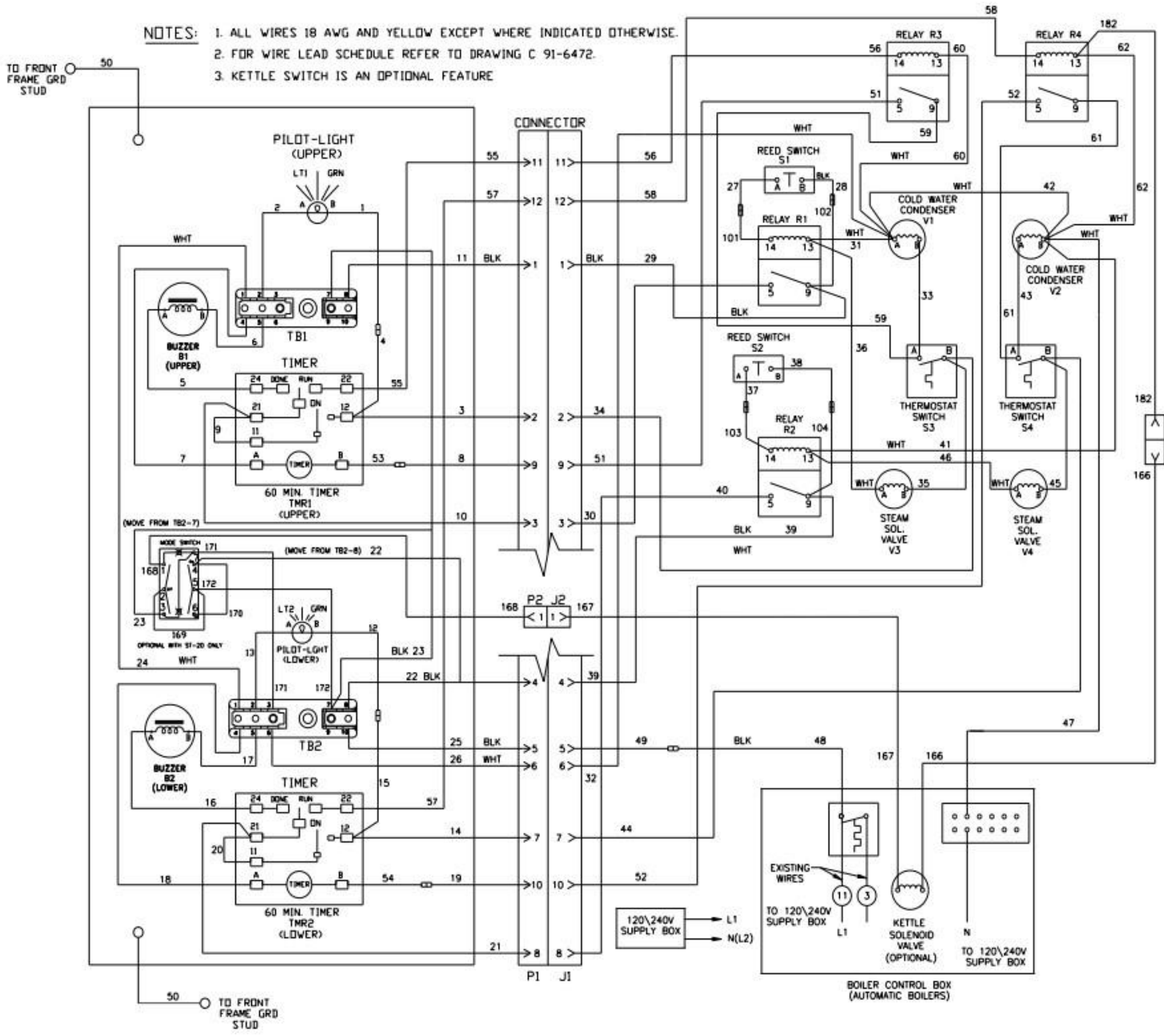
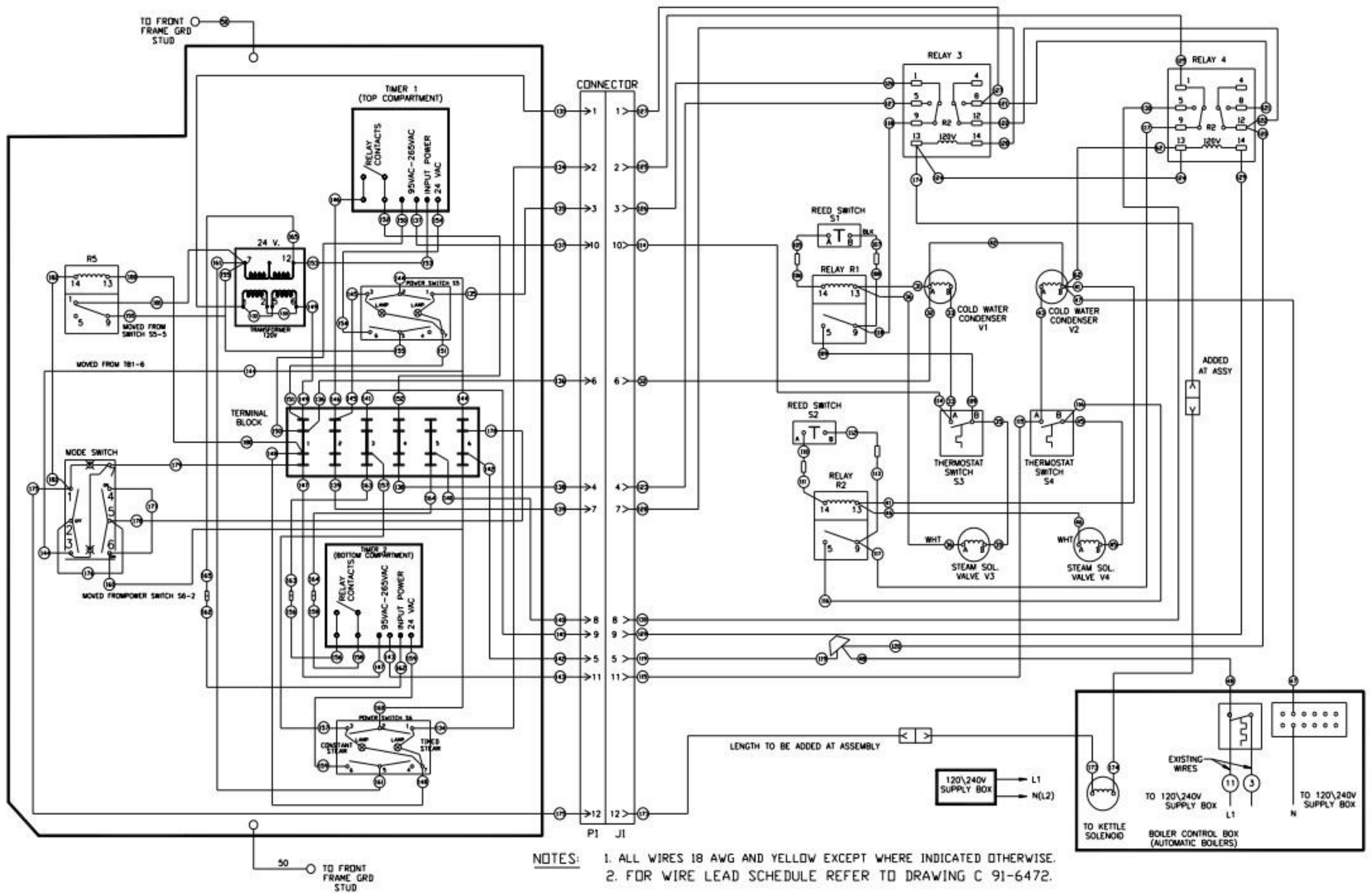


- NOTES:**
1. ALL WIRES 18 AWG AND YELLOW EXCEPT WHERE INDICATED OTHERWISE.
 2. FOR WIRE LEAD SCHEDULE REFER TO DRAWING C 91-6472.
 3. KETTLE SWITCH IS AN OPTIONAL FEATURE





NOTES: 1. ALL WIRES 18 AWG AND YELLOW EXCEPT WHERE INDICATED OTHERWISE.
 2. FOR WIRE LEAD SCHEDULE REFER TO DRAWING C 91-6472.

