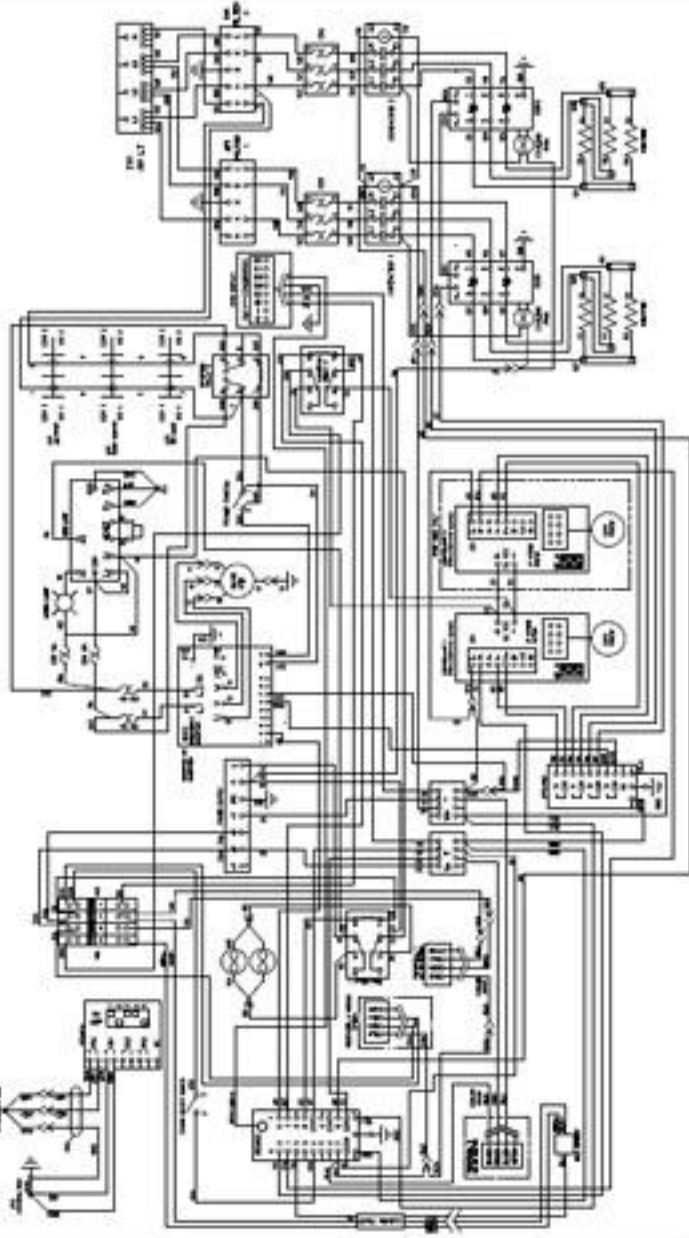


WD... E-400-418 AC 3PH P6838

7 4 3 4 4

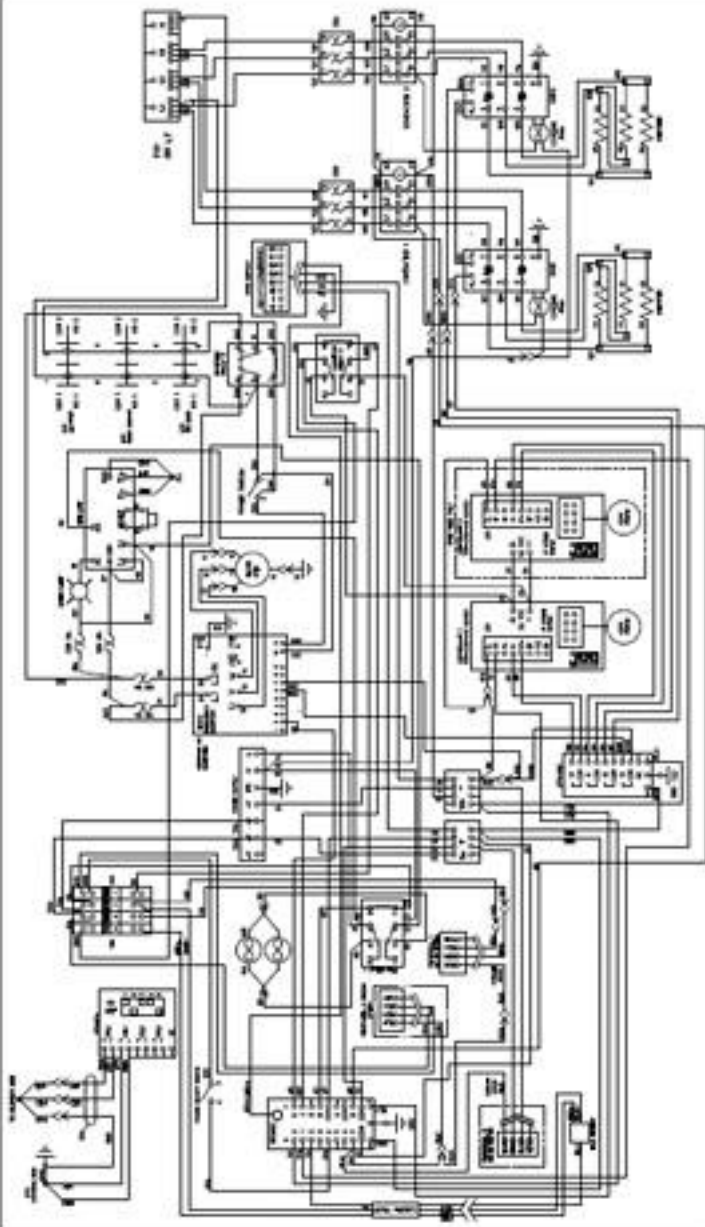
NO LOAD, PA 1000
SEE INSTRUCTIONS FOR TAP

VOLTS	TOTAL ILLUMINATED	L1	L2	L3	L4	L5	L6	PHASE	WATTAGE
400-418	25.25	8.4	8	8.4	8.7	8.7	8.7	77A	77A



WIRE NO.	TO	FROM	TO	FROM	TO	FROM	TO	FROM
1	1	1	1	1	1	1	1	1
2	2	2	2	2	2	2	2	2
3	3	3	3	3	3	3	3	3
4	4	4	4	4	4	4	4	4
5	5	5	5	5	5	5	5	5
6	6	6	6	6	6	6	6	6
7	7	7	7	7	7	7	7	7
8	8	8	8	8	8	8	8	8
9	9	9	9	9	9	9	9	9
10	10	10	10	10	10	10	10	10
11	11	11	11	11	11	11	11	11
12	12	12	12	12	12	12	12	12
13	13	13	13	13	13	13	13	13
14	14	14	14	14	14	14	14	14
15	15	15	15	15	15	15	15	15
16	16	16	16	16	16	16	16	16
17	17	17	17	17	17	17	17	17
18	18	18	18	18	18	18	18	18
19	19	19	19	19	19	19	19	19
20	20	20	20	20	20	20	20	20
21	21	21	21	21	21	21	21	21
22	22	22	22	22	22	22	22	22
23	23	23	23	23	23	23	23	23
24	24	24	24	24	24	24	24	24
25	25	25	25	25	25	25	25	25
26	26	26	26	26	26	26	26	26
27	27	27	27	27	27	27	27	27
28	28	28	28	28	28	28	28	28
29	29	29	29	29	29	29	29	29
30	30	30	30	30	30	30	30	30
31	31	31	31	31	31	31	31	31
32	32	32	32	32	32	32	32	32
33	33	33	33	33	33	33	33	33
34	34	34	34	34	34	34	34	34
35	35	35	35	35	35	35	35	35
36	36	36	36	36	36	36	36	36
37	37	37	37	37	37	37	37	37
38	38	38	38	38	38	38	38	38
39	39	39	39	39	39	39	39	39
40	40	40	40	40	40	40	40	40
41	41	41	41	41	41	41	41	41
42	42	42	42	42	42	42	42	42
43	43	43	43	43	43	43	43	43
44	44	44	44	44	44	44	44	44
45	45	45	45	45	45	45	45	45
46	46	46	46	46	46	46	46	46
47	47	47	47	47	47	47	47	47
48	48	48	48	48	48	48	48	48
49	49	49	49	49	49	49	49	49
50	50	50	50	50	50	50	50	50
51	51	51	51	51	51	51	51	51
52	52	52	52	52	52	52	52	52
53	53	53	53	53	53	53	53	53
54	54	54	54	54	54	54	54	54
55	55	55	55	55	55	55	55	55
56	56	56	56	56	56	56	56	56
57	57	57	57	57	57	57	57	57
58	58	58	58	58	58	58	58	58
59	59	59	59	59	59	59	59	59
60	60	60	60	60	60	60	60	60
61	61	61	61	61	61	61	61	61
62	62	62	62	62	62	62	62	62
63	63	63	63	63	63	63	63	63
64	64	64	64	64	64	64	64	64
65	65	65	65	65	65	65	65	65
66	66	66	66	66	66	66	66	66
67	67	67	67	67	67	67	67	67
68	68	68	68	68	68	68	68	68
69	69	69	69	69	69	69	69	69
70	70	70	70	70	70	70	70	70
71	71	71	71	71	71	71	71	71
72	72	72	72	72	72	72	72	72
73	73	73	73	73	73	73	73	73
74	74	74	74	74	74	74	74	74
75	75	75	75	75	75	75	75	75
76	76	76	76	76	76	76	76	76
77	77	77	77	77	77	77	77	77
78	78	78	78	78	78	78	78	78
79	79	79	79	79	79	79	79	79
80	80	80	80	80	80	80	80	80
81	81	81	81	81	81	81	81	81
82	82	82	82	82	82	82	82	82
83	83	83	83	83	83	83	83	83
84	84	84	84	84	84	84	84	84
85	85	85	85	85	85	85	85	85
86	86	86	86	86	86	86	86	86
87	87	87	87	87	87	87	87	87
88	88	88	88	88	88	88	88	88
89	89	89	89	89	89	89	89	89
90	90	90	90	90	90	90	90	90
91	91	91	91	91	91	91	91	91
92	92	92	92	92	92	92	92	92
93	93	93	93	93	93	93	93	93
94	94	94	94	94	94	94	94	94
95	95	95	95	95	95	95	95	95
96	96	96	96	96	96	96	96	96
97	97	97	97	97	97	97	97	97
98	98	98	98	98	98	98	98	98
99	99	99	99	99	99	99	99	99
100	100	100	100	100	100	100	100	100

WD. ESSO AC 3PH CE P5830
 73773
 WIRE DIAGRAM FOR THIS & PART
 SEE LABEL FOR OTHER

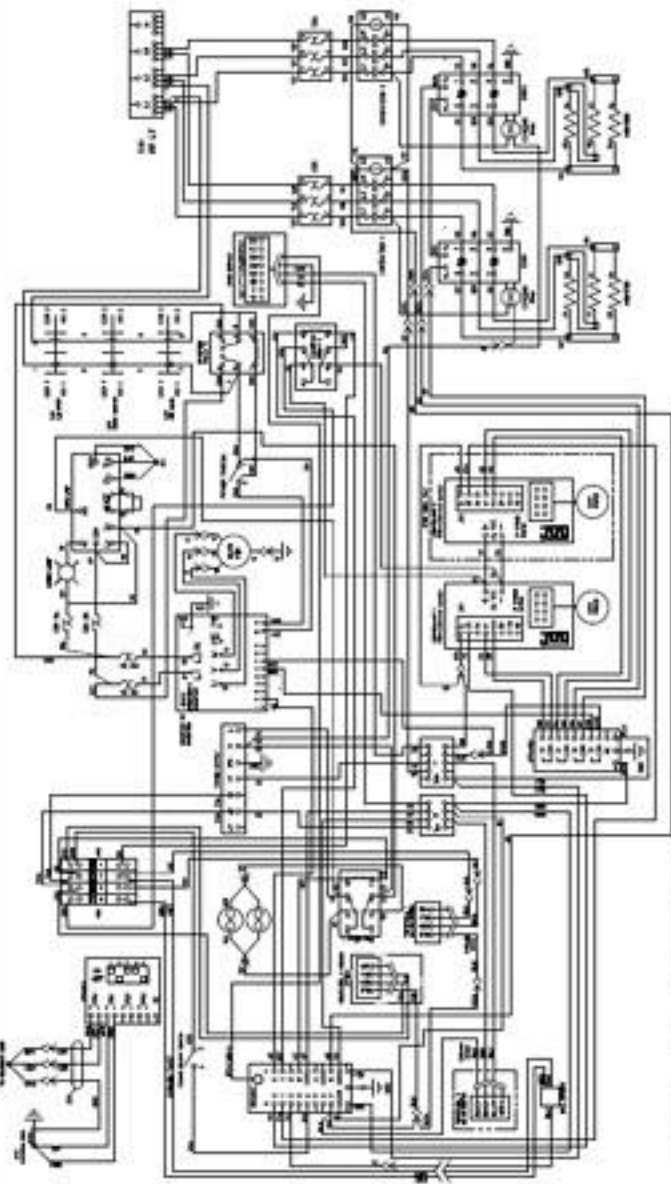


WALTER	PITCH	SIGNALS	L1	L2	L3	R	C	MOTOR	MOTOR	MOTOR		
										NOV	DEC	REV
100	100	100	100	100	100	100	100	100	100	100	100	100
200	200	200	200	200	200	200	200	200	200	200	200	200

WD, E 380 AC 3 PH P 5639

7 3 9 6 8

SCHEMATIC FOR TEST
USE NUMBER FOR TEST

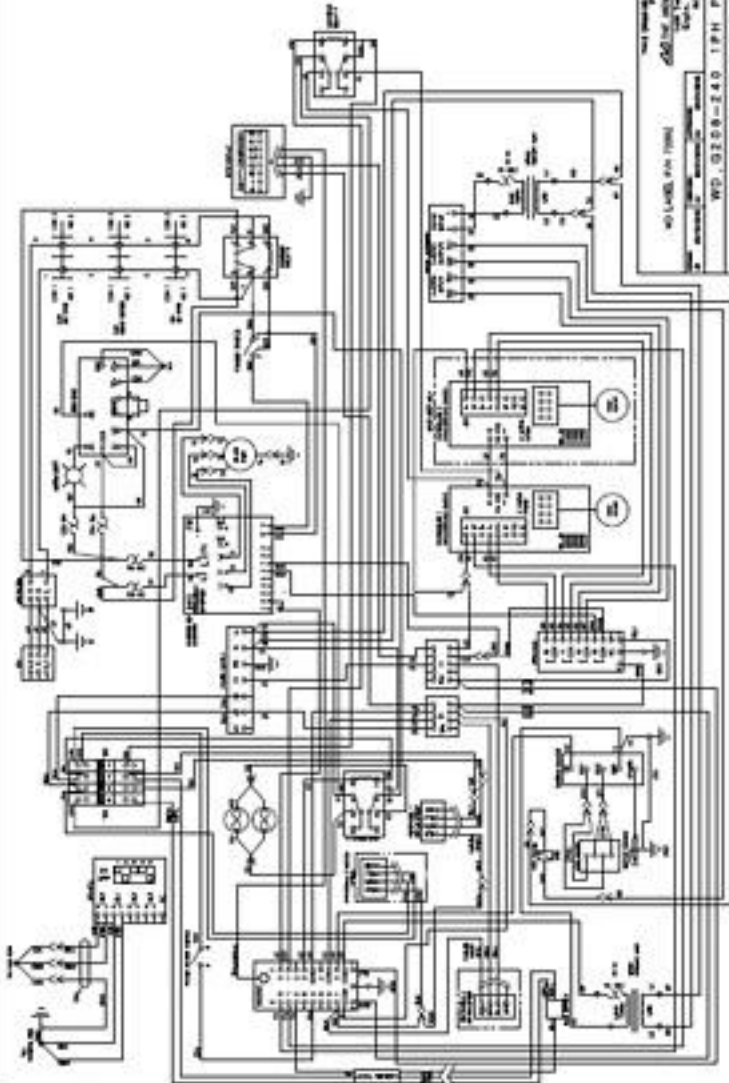


REV.	DATE	BY	CHKD.	DESCRIPTION
1	10/15/68	W.C.		INITIAL DESIGN
2	11/15/68	W.C.		REVISED FOR MANUFACTURE
3	12/15/68	W.C.		REVISED FOR MANUFACTURE
4	1/15/69	W.C.		REVISED FOR MANUFACTURE

NO LABEL FOR 7870
WEE TRAINS PIN TUBE

WD. E208-240 P.6318

73969



THIS DRAWING IS UNCLASSIFIED
 DATE 06-20-2008 BY 60322 UCBAW/STP/STP/STP
 DATE 06-20-2008 BY 60322 UCBAW/STP/STP/STP

NO LABEL FOR THIS
 W.D. 0309-240 1PH P5638
 PART NO 73301

6