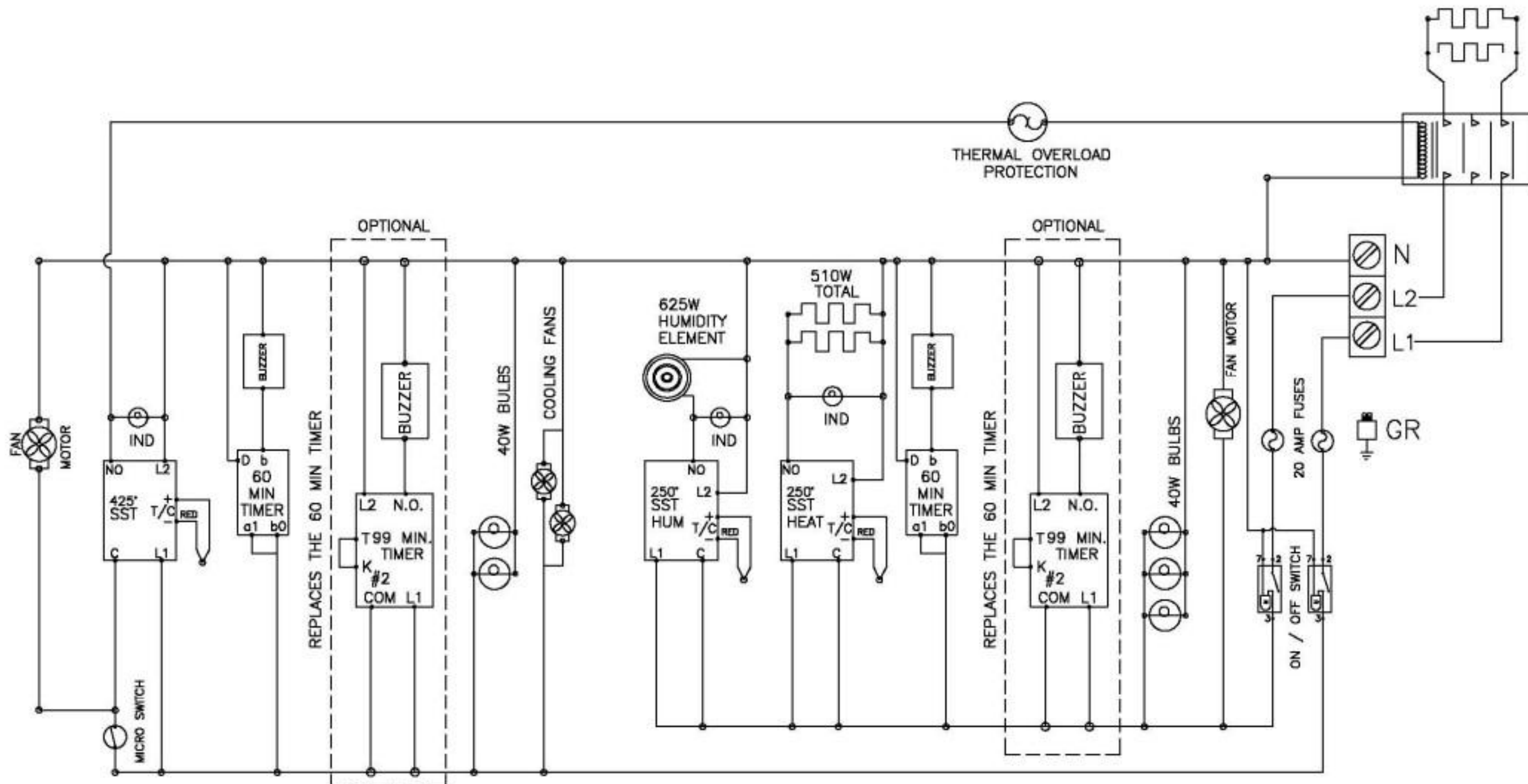


**NU-VU Food Service Systems**  
 5600 13th STREET  
 MENOMINEE, MICHIGAN 49858

REV.	DESCRIPTION	CHANGED BY	DRAWN BY: TEZ	VOLTAGE: 120/208-240
G	ELECTRO-MECHANICAL	CTC	CHECKED:	PHASE: THREE
	TIMER	DATE	DATE: 05-16-01	WATTAGE:
	REMOVED 1/2 A FUSES	01-13-06	BOM FILE #	CONTROLS: SOLID STATE

MODEL #: SUB 123  
 CUSTOMER SUBWAY  
 DWG. NO. 112-D0113



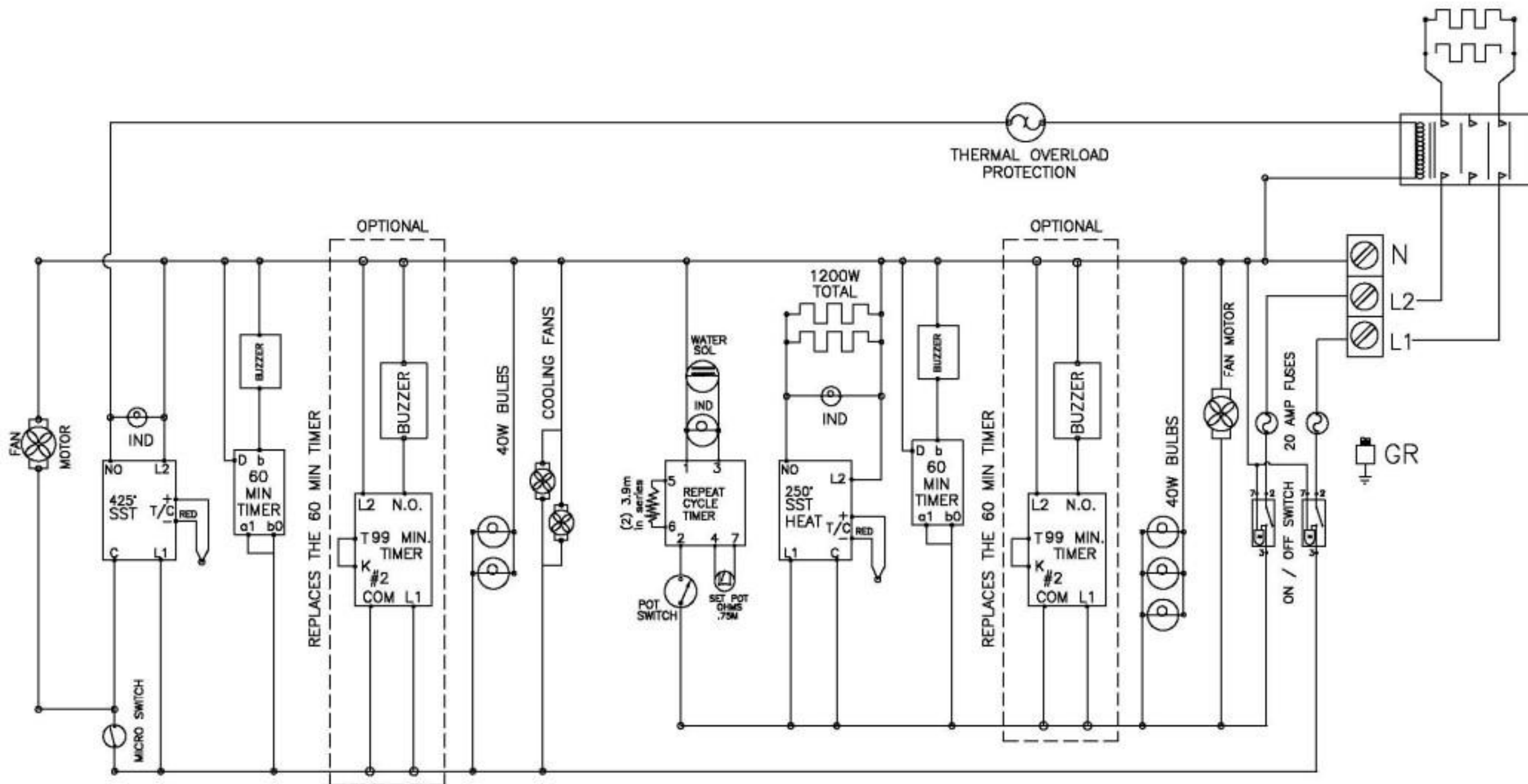
NU-VU Food Service Systems  
5600 13th STREET  
MENOMINEE, MICHIGAN 49858

REV.  
F

DESCRIPTION	CHANGED BY	DRAWN BY: TEZ
ELECTRO-MECHANICAL	CTC	CHECKED:
TIMER	DATE	DATE: 05-16-01
REMOVED 1/2 A FUSES	01-13-06	BOM FILE #

VOLTAGE: 120/208-240  
PHASE: SINGLE  
WATTAGE:  
CONTROLS: SOLID STATE

MODEL #: SUB 123  
CUSTOMER SUBWAY  
DWG. NO. 112-D0111

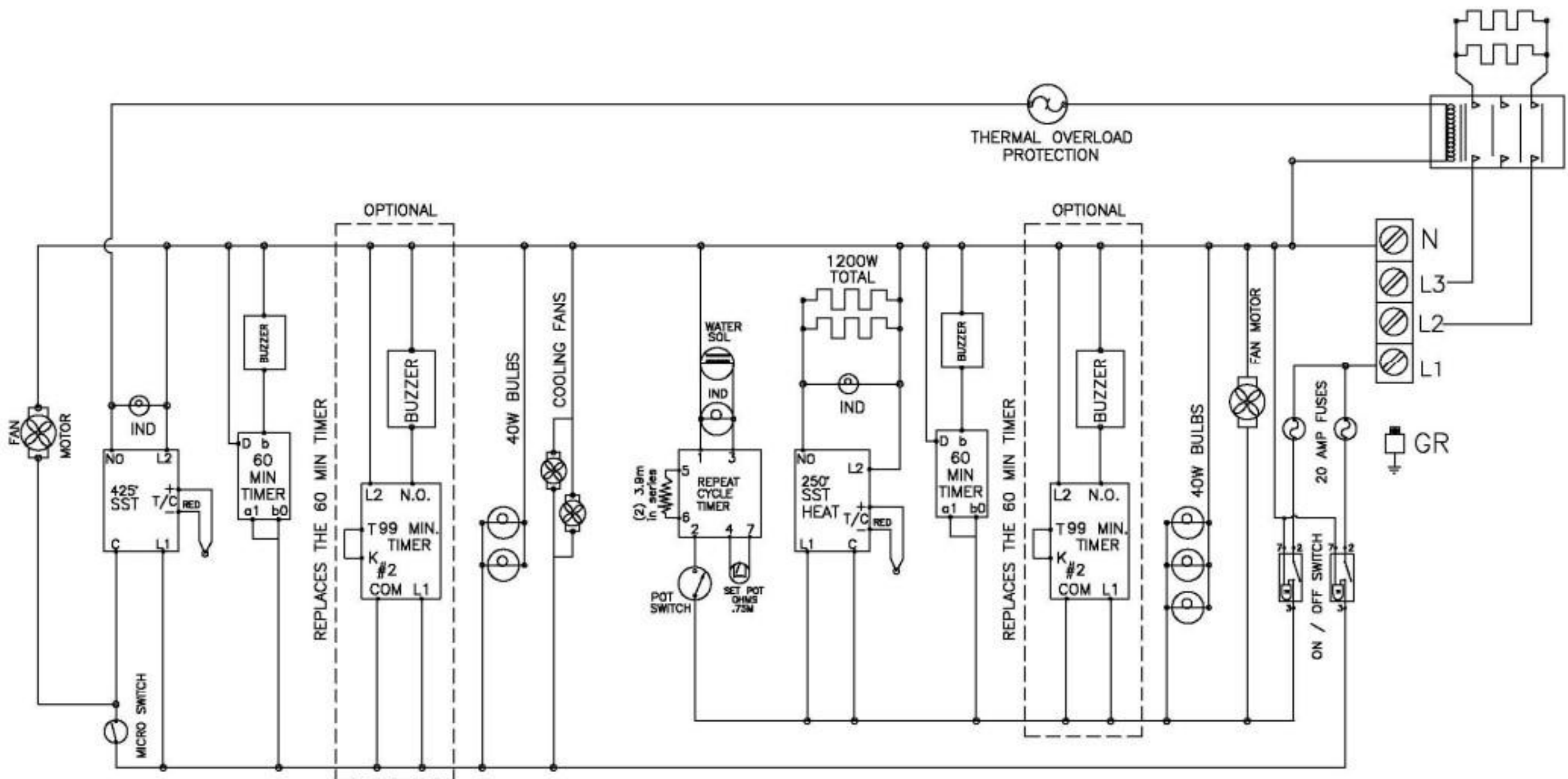


NU-VU Food Service Systems  
5600 13th STREET  
MENOMINEE, MICHIGAN 49858

REV. F

DESCRIPTION	CHANGED BY	DRAWN BY: TEZ	VOLTAGE: 120/208-240
ELECTRO-MECHANICAL	CTC	CHECKED:	PHASE: SINGLE
TIMER	DATE	DATE: 05-16-01	WATTAGE:
REMOVED 1/2 A FUSES	01-13-06	BOM FILE #	CONTROLS: SOLID STATE

MODEL #: SUB 123  
CUSTOMER SUBWAY  
AUTOMIST  
DWG. NO. 112-D0121



REV.	DESCRIPTION	CHANGED BY	DRAWN BY: TEZ	VOLTAGE: 120/208-240
F	ELECTRO-MECHANICAL	CTC	CHECKED:	PHASE: THREE
	TIMER	DATE	DATE: 05-16-01	WATTAGE:
	REMOVED 1/2 A FUSES	01-13-06	BOM FILE #	CONTROLS: SOLID STATE