

NOTE: SEE DRAWING SK2135 FOR KETTLE ASSY.

SOME ITEMS ARE INCLUDED FOR ILLUSTRATIVE PURPOSES ONLY AND IN CERTAIN INSTANCES MAY NOT BE AVAILABLE



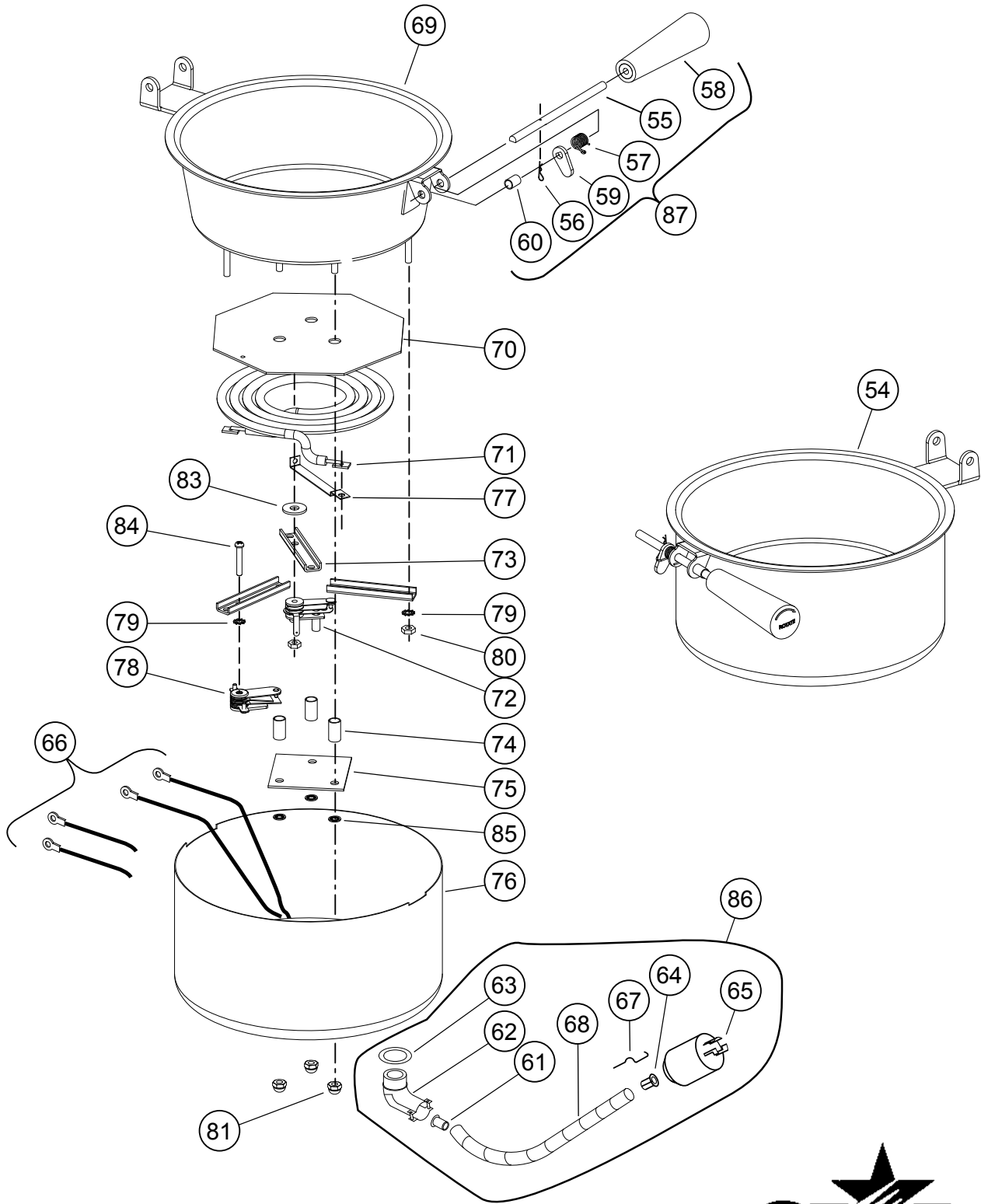
MODEL - 39-A & 86S, 120V/230CE

STAR MANUFACTURING INTERNATIONAL, INC.

SK1359

REV. G

7/22/05



SOME ITEMS ARE INCLUDED FOR ILLUSTRATIVE PURPOSES ONLY AND IN CERTAIN INSTANCES MAY NOT BE AVAILABLE

MODEL - 39-A & 86S, KETTLE ASSY



STAR MANUFACTURING INTERNATIONAL, INC.

SK2135

REV. E

4/22/14

PARTS LIST

February 6, 2013, Rev O

Model: 39A Series 6oz. & 86S Series 8oz. Popcorn Popper				
Fig No	Part No	Qty	Description	Application
1	C3-T1085	1	TOP - YELLOW	39-A
	C3-T1086		TOP - SPOTWELDED, STAINLESS STEEL	39S-A, 39S-AS, 86S, 86SS
	C3-T1087		TOP - WOODGRAIN	39D-A
	C3-T1093		TOP - RED	39R-A
2	2M-Y7447	1	SIGN DISPLAY-OLD STYLE	39D-A
	2M-Y9641	2	SIGN DISPLAY	39S-GWP
	2M-Z0355	1	SIGN DISPLAY	39A, 39S-A, 86S, 86SS
	2M-Y8642	1	SIGN DISPLAY	39R-A
3	2M-Z0090	1	LABEL-SWITCHES	
4	2E-Y6144	3	SWITCH- (3967003 : BELOW)	
	2E-Z0091		SWITCH- (3967004 : ABOVE)	
	2E-Z0091	2	SWITCH - "1"/"0"	
5	C3-Z0265	1	PLATE, SWITCH	
6	2I-Y6709	1	CUSHION-MOTOR	
7	2R-Y4810	1	FAN-BLADE (OLD STYLE, NON-MERKLE-KORFF MOTORS)	
8	PS-39408	1	2U-Y6914, 39&86 RPL. MOTOR KIT	mfg before 6-9-10
	2U-Z12380		MOTOR, GEAR 120V, FAN INCLUDED	mfg after 6-9-10
	PS-39411		2U-Y6926, 39&86 RPL. MOTOR KIT (230CE)	
9	2E-T1042	1	RECEPTACLE T/L (120V)	
	2E-Z0089		RECEPTACLE, STRAIGHT BLADE (230CE)	
10	2E-Y5921	1	LAMP SOCKET (120V)	120V
	2E-Y9433		LAMP SOCKET (230CE)	230CE
11	2S-Y4584	1	LAMP (120V ONLY) 75W	120V
	2S-Y8091		LAMP (230CE ONLY)	230CE
12	2B-Y7619	1	SHIELD-LAMP	
14	2D-4P1004	1	KETTLE LATCH ASSEMBLY	
15	2P-Y6918	2	SPRING LATCH	
16	2V-Y7486	1	BRACKET KETTLE	
17	2A-Y6694	2	CLIP-SHAFT	
18	2A-Y4595	1	KETTLE HINGE PIN	
19	C3-39214	1	KETTLE COVER ASSEMBLY	
20	2R-Y7571	1	COVER TAB	
21	2R-Y7229	1	MAGNET	
22	2A-Y7460	1	SPACER-MAGNET CUP	
23	C3-Y7230	1	CUP-MAGNET	
24	2A-Z4466	1	GUIDE ROD-COVER	
26	2C-T1008	1	GROOVE PIN	
27	2A-Y6919	1	SHAFT 6 11/16"	
28	2A-Y6916	1	COLLAR-AGITATOR (2-1/2")	
29	2B-Y6206	1	BLADE-AGITATOR (6-1/2")	
30	2C-9788	1	MAGNET CATCH	
31	C3-Y7446	2	BRACKET HINGE RIGHT	ALL EXCEPT 39D-A
	C3-Y7459			39D-A

PARTS LIST

April 28, 2011, Rev O

Model: 39A Series 6oz. & 86S Series 8oz. Popcorn Popper				
Fig No	Part No	Qty	Description	Application
32	C3-Y7377	2	BRACKET HINGE LEFT	ALL EXCEPT 39D-A
	C3-Y7458			39D-A
33	C3-39207	2	DOOR AND HINGE ASSEMBLY	39R-A
	C3-39211			39A, 39S-A, 39S-GWP, 86S
	C3-39401			39D-A
	C3-39245	1	DOOR & HINGE ASSY - SELF SERVE RIGHT	86SS
	C3-39238		DOOR & HINGE ASSY - SELF SERVE LEFT	86SS
34	C3-Y7475	2	PULL DOOR	
35	2M-Y1755	1	SIGN-OPERATING INSTRUCTIONS	
36	2I-Y7393	4	CHANNEL GLASS (SIDE-TOP & BOTTOM)	39D-A
	2I-Y7442			ALL EXCEPT 39D-A
37	2I-Y7394	6	CHANNEL GLASS (UPRIGHT)	39D-A
	2I-Y7443			39R-A, 39A, 39S-A,
	2I-Z0160			86S, 86SS
38	2I-Y7395	2	CHANNEL GLASS (FRONT-TOP & BOTTOM)	39D-A
	2I-Y7444			ALL EXCEPT 39D-A
39	C3-8260	3	RETAINER-GLASS	
40	2Q-Y7372	2	GLASS-SIDE (1/8" x 11-5/8" x 20-3/8")	39S-A, 39A, 39R-A, 39D-A
	2Q-Z0161		GLASS-SIDE (1/8" x 11-3/8" x 25-3/8")	86S, 86SS
41	2Q-Y7373	1	GLASS-FRONT (1/8" x 17-3/8" x 20-3/8")	39S-A, 39A, 39R-A, 39D-A
	2Q-Z0162		GLASS-FRONT (1/8" x 17-3/8" x 25-3/8")	86S, 86SS
42	2M-Y7480	1	LABEL-STAR EMBLEM	
43	C3-Y8218	1	LOWER DOOR (3966461:BELOW)	39S-A, 39A, 39R-A, 39D-A
	ALSO NEED			
	C3-39222	1	ASSY POST FILLER RIGHT SIDE	
	C3-39223	1	ASSY POST FILLER LEFT SIDE	
	C3-Y8218	1	LOWER DOOR (3966462:ABOVE)	39S-A, 39A, 39R-A, 39D-A
	C3-Z0171	1	LOWER DOOR	86S, 86SS
46	C3-Y7483	1	CORN DRAWER	
47	2N-Y4306	1	ELEMENT (120V ONLY) 50W	
	2N-Y8077		ELEMENT (230CE ONLY)	
48	C3-39111	1	LEAD IN CORD 120V	
	2E-Z0512		LEAD IN CORD 230CE	
49	2K-Y2967	1	BUSHING HEYCO 120V	
	2E-Y9227		INLET 240VE	
50	2I-H7685	4	BUMPER	
51	2L-Y4639	1	CUP-MEASURE 1/4 CUP OIL (not included in all models)	
52	2L-Y4640	1	CUP-MEASURE 3/4 CUP CORN (not included in all models)	
53	2L-Y4916	1	SCOOP-CORN	
54-79, 82-85	C3-39209	1	KETTLE ASSEMBLY COMPLETE 120V	7 LBS SHIPPING
	C3-39219		KETTLE ASSEMBLY COMPLETE 240V	7 LBS SHIPPING
	C3-39235		KETTLE ASSEMBLY COMPLETE 230CE	7 LBS SHIPPING
55	2A-Z4525	1	ROD-HANDLE	

PARTS LIST

February 6, 2013, Rev O

Model: 39A Series 6oz. & 86S Series 8oz. Popcorn Popper				
Fig No	Part No	Qty	Description	Application
56	2B-Y6139	1	CLIP-HANDLE	
57	2P-Y6141	1	SPRING-HANDLE	
58	2R-Y7381	1	HANDLE-KETTLE	
59	C3-Y5378	1	CAM	
60	2A-Y6142	1	SLEEVE-HANDLE	
61	2A-Y6627	1	BUSHING	
62	2E-1177	1	CONNECTOR	
63	2E-Y4967	1	WASHER	
64	2K-1057	1	BUSHING ANTI-SHORT	
65	2P-8354	1	CAP T/L 120V	
	2P-Z0017		PLUG, STRAIGHT BLADE 230CE	
66	2E-Z4458	1	WIRE KIT KETTLE ASSEMBLY (120V)	
	2E-Z4461		WIRE KIT KETTLE ASSEMBLY (230CE)	
67	C3-Y3045	1	GROUND STRAP (120V)	
	C3-39234		WIRE ASSEMBLY - GROUND (230CE)	
68	C3-Y6634	1	CONDUIT	
69	C3-39208-PS	1	KETTLE ASSEMBLY-LINER	
70	C3-39179	1	PLATE HEAT SINK ASSEMBLY	
71	2N-Y7413	1	ELEMENT 1000W 120V	14.41 ohms
	2N-Y7414	1	ELEMENT 1000W 230CE	
72	2T-Y7422	1	THERMOSTAT 120V	
	2T-Y9453	1	THERMOSTAT 230CE	
73	C3-Y7361	3	CHANNEL-HOLDER ELEMENT	
74	C3-Y7482	3	SPACER	
75	2H-Y7693	1	INSULATION PAD	
76	C3-Y7360	1	KETTLE SHELL	
77	C3-Y7362	1	LUG (120V)	
78	PS-G1499	1	HIGH LIMIT PARTS KIT., 39/86	mfg. before 9/2007
	2T-Z10182		RESETTABLE THERMOSTAT HIGH LIMIT 120V,	mfg. after 9/2007
79	2C-1827	6	WASHER #10 EXT STL	
80	2C-2560	6	NUT 10-24 HEX STL	
81	2C-2559	3	ACORN NUTS 10-24	
82	C3-Y7386	1	PAN - CORN	
83	2C-6334	1	WASHER #16 FL BR NP	
84	2C-H1559	1	SCREW 8-32 X 1.25 ST RH NP	
85	2C-6260	3	WASHER #10 INT STL NP	
86	PS-39217	1	KETTLE CONDUIT COMPLETE (120V)	
87	PS-39216	1	KETTLE HANDLE ASSEMBLY COMPLETE	