



Star  
Manufacturing  
International Inc.

10 Sunnen Drive  
St. Louis, MO 63143

Phone: (314) 781-2777  
Fax: (314) 781-3636

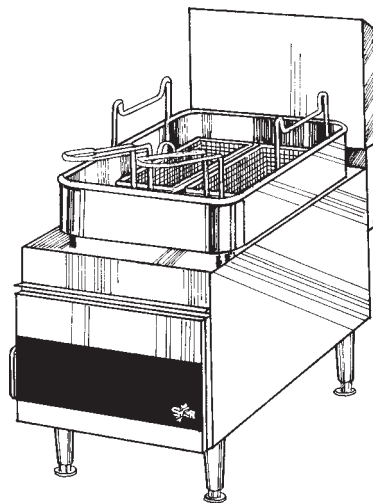
Installation  
and  
Operating  
Instructions

2M-Z1444 Rev. D 2/17/04

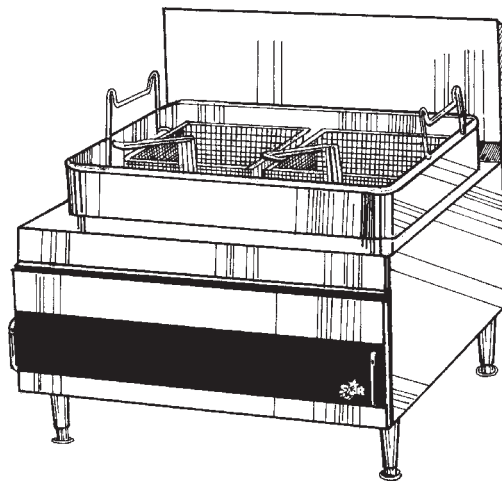
# STAR-MAX COUNTER GAS FRYERS

## MODELS

### 404A, 615FA, and 630FA



615FA



630FA



## **SAFETY SYMBOL**



This symbol is intended to alert the user to the presence of important operating and maintenance instructions in the manual accompanying the appliance.

---

## **RETAIN THIS MANUAL FOR FUTURE REFERENCE**

### **NOTICE**

Using any part other than genuine Star factory supplied parts relieves the manufacturer of all liability.

### **NOTICE**

Star reserves the right to change specifications and product design without notice. Such revisions do not entitle the buyer to corresponding changes, improvements, additions or replacements for previously purchased equipment.

## **MAINTENANCE AND REPAIRS**

Contact your local authorized service agent for service or required maintenance. Refer to the authorized service center listing provided with the unit. The Star Service Help Desk (1-800-807-9054) is available during normal business hours to answer any questions that may arise. Please have your model number and serial number for faster service.

## GENERAL INSTALLATION DATA



### CAUTION

This equipment is designed and sold for commercial use only by personnel trained and experienced in its operation and is not sold for consumer use in and around the home nor for use directly by the general public in food service locations. For equipment to be used by the general public, please contact the factory.

The installation of the Appliance should conform to the NATIONAL FUEL GAS CODE "ANSI Z223.1 - LATEST EDITION" AND ALL LOCAL GAS COMPANY RULES AND REGULATIONS.

IN CANADA INSTALLATION SHALL BE IN ACCORDANCE WITH THE CURRENT CAN/CGA-B149.1 NATURAL GAS INSTALLATION CODE OR CAN/CGA-B149.2 PROPANE INSTALLATION CODE AND LOCAL CODES WHERE APPLICABLE.

**WARNING:** Improper installation, adjustment, alteration, service or maintenance can cause property damage, injury or death. Read the installation, operating and maintenance instructions thoroughly before installing or servicing the equipment.

This appliance and control valve must be disconnected from the gas supply piping system during any pressure testing of that system at test pressures in excess of 1/2 PSIG (1.034 ATM). This appliance must be isolated from the gas supply piping system by closing its individual manual shutoff valve during any pressure testing of the gas supply piping system at test pressures equal to or less than 1/2 PSIG (1.034 ATM). For your protection, we recommend a qualified installing agency install this appliance. They should be familiar with gas installations and your local gas requirements. In any case, your gas company should be called to approve the final installation. In addition, there should be posted, in a prominent location, detailed instructions to be followed in the event the operator smells gas. Obtain the instructions from the local gas supplier.

**FRYER SHOULD BE RESTRAINED TO PREVENT TIPPING WHEN INSTALLED TO AVOID SPLASHING OF HOT LIQUID. USE ADEQUATE TIES WHEN INSTALLING THE FRYER.**

### FOR YOUR SAFETY

DO NOT STORE OR USE GASOLINE OR OTHER FLAMMABLE VAPORS AND LIQUIDS IN THE VICINITY OF THIS OR ANY OTHER APPLIANCE. KEEP THE APPLIANCE AREA CLEAR AND FREE FROM COMBUSTIBLES.

### AIR SUPPLY

Provisions for adequate air supply must be provided.

### AIR INTAKES IN BOTTOM

Make certain that the air intake opening in the bottom of the appliance is not obstructed. It is essential for proper combustion and operation of the appliance.



### CAUTION

**DO NOT USE SPACE UNDER FRYER FOR STORAGE**

### LEVELING UNIT

Level unit by adjusting the (4) feet.



### CAUTION

**DO NOT INSTALL WITHOUT FEET.**

### CLEARANCE

Clearances from combustible and non-combustible material must be a minimum of 48" from the top of the appliance and 6" from the sides and back. Adequate clearance should also be provided for proper operation and servicing.

### EXHAUST CANOPY

It is essential that facilities be provided over the fryer to carry off fumes and gases. This unit is not to be connected to a flue or stack for exhaust purposes.

## **GAS PIPING**

Gas piping shall be new, clean and of such size and so installed as to provide a supply of gas sufficient to meet the full gas input of the appliance. If the appliance is to be connected to existing piping, it shall be checked to determine if it has adequate capacity. Joint compound (pipe dope) shall be used sparingly and only on the male threads of the pipe joints. Such compounds shall be resistant to the action of L.P. gases.

**WARNING: Any loose dirt or metal particles which are allowed to enter the gas lines on the appliance will damage the automatic valve and affect its operation. When installing this appliance, all pipe and fittings must be free from all internal loose dirt. Do not remove the seal until actual connection is made to the gas supply line.**

## **CONNECTING GAS SUPPLY LINE**

The gas inlet on this appliance is sealed at the factory to prevent entry of dirt. Do not remove this seal until actual connection is made to the gas supply line. Each unit is supplied with a gas pressure regulator adjusted for use with the gas specified on the nameplate. To connect gas supply, attach pipe nipple provided with unit. For pressure requirements and adjustment of regulator, see GAS PRESSURE REGULATOR.

## **MANUAL SHUT OFF VALVE**

A manual shut off valve should be installed upstream from the union and within six feet of the appliance.

## **CHECKING FOR GAS LEAKS**

Soap and water solution, or other material acceptable for the purpose of locating gas leaks shall be used. **MATCHES, CANDLES, FLAME OR OTHER SOURCES OF IGNITION SHALL NOT BE USED FOR THIS PURPOSE.**

## **GAS PRESSURE REGULATOR**

The regulator is factory set as specified on the rating plate. If it should be necessary to check the manifold pressure, remove the 1/8" pipe plug from the top part of the burner manifold and attach a pressure gauge. To adjust gas pressure, unscrew cap from pressure regulator on control valve and turn screw to the right to increase and left to decrease the gas pressure to its proper setting. Replace cap.

## **LIGHTING INSTRUCTIONS**

1. Wait 5 minutes before relighting pilot.
2. Open front door.
3. Turn thermostat to "OFF" position.
4. Turn valve knob to "PILOT." Push knob in completely. Light pilot through opening on front of unit. Hold button in for sixty seconds or until pilot remains lit.
5. Check if drain valve is in closed position.
6. Add liquid fat as required.
7. Turn valve knob to "ON." Set thermostat to desired temperature.
8. To turn all gas off to valve control and to pilot, turn valve knob to "OFF" position (complete shutdown).

## **TO ADJUST PILOT**

1. Open the front door panel.
2. Remove slotted screw cap adjacent to pilot gas outlet of the control gas valve.
3. Turn inner screw to the right or left to decrease or increase pilot flame. (Flame must surround thermocouple tips by approximately 1/2" (1.2cm).)
4. Replace slotted screw cap tightly to prevent gas leakage.

## THERMOSTAT RECALIBRATION

1. To determine whether or not the thermostat should be recalibrated, use an accurate thermometer located approximately in the center of the kettle with the bulb 1" (2.4cm) below the top of the fat.
2. Set thermostat to 350°F (177° C) and check the thermometer reading when burner flame goes off. Temperature should be approximately 5°F (3°C) less than the thermostat dial setting.
3. If not:
  - a. Without disturbing thermostat, pull knob forward and remove from shaft.
  - b. Turn screw in center of shaft clockwise to decrease temperature or counterclockwise to increase temperature. NOTE: 1/4 turn of this screw will result in a change of approximately 30°F (17°C).
  - c. Replace knob.
4. Repeat steps 1, 2 and 3 until correct.

## HIGH LIMIT THERMOSTAT

These units are equipped with a manual reset high temperature limit type thermostat. This thermostat will shut off the electric current to the magnetic gas valve, which shuts off the gas if the fat temperature reaches 450° F (232° C). The fryer will not operate until the red reset button is pushed in.

Should the high temperature limit thermostat operate, the temperature regulating thermostat should be checked for malfunctions. The high limit thermostat is located inside the fryer to your right and can be reached when the door is open.



### CAUTION

**DO NOT REMOVE FEET!  
DO NOT HEAT AN EMPTY KETTLE.**



### CAUTION

**HOT FAT IS POTENTIALLY DANGEROUS. DO NOT COME IN DIRECT CONTACT WITH HOT FAT.**

## OPERATING INSTRUCTIONS

1. **CLEAN KETTLE** thoroughly before using. Remove baskets and crumb tray. Clean protective oil from interior of kettle with a solution of washing soda or equal. Drain through valve in bottom and rinse thoroughly with clear water and dry completely before filling with oil.
2. **DRAIN VALVE** - Make certain it is closed before adding fat.
3. **ADD FAT** -  
**Model 615FA/630FA** - A fat level line on the rear of the kettle will guide you in determining the minimum fat level (12" fryers have a 15 lb. (6.8kg) fat capacity, 24" fryers have a 30 lb. (13.6kg) fat capacity). If solid fat is used, pack the solid fat carefully to the sides and bottom of the kettle before turning the temperature control knob to the "ON" position.  
**Model 404A** - Keep level of fat 2" (5cm) above tubes. Kettle holds approximately 18 lb. (8.2kg) of fat. If solid fat is used, melt the solid fat before filling the fryer. Never attempt to use solid shortening to fill kettle.

A higher fat level can be used when frying bulky foods, such as chicken or fish cakes. The level should be chosen carefully so that the foaming action does not spill out of the kettle.

4. Turn the valve knob to "ON" position.
5. **TEMPERATURE CONTROL** - The thermostat is a combination switch and heat control. The "OFF" position will turn off the electric current which closes the gas valve. With the fat in the kettle (Note: On models 615FA/630FA, solid fat must be carefully packed to the sides and bottom of the kettle) turn the thermostat knob to 200° F (93°C).
6. **CRUMB TRAY** Model 615FA/630FA - Place the crumb tray in the kettle when the fat has melted.  
**BASKET RACK** Model 404A - Place the rack before adding fat.

7. Turn the thermostat knob to the desired frying temperature. **DO NOT FRY MORE FOOD PER BATCH THAN YOU CAN FRY EFFICIENTLY** - Too much food per batch causes excessive temperature drop, wastes fat, and nothing is gained in capacity.
8. **LOWERING BASKET** - When the fat has reached the proper temperature, lower the basket and food slowly into the fat. When moist food is lowered too quickly into hot fat, the fat will foam and spatter excessively.
9. **DRAIN** - After the food has finished frying, raise the baskets and hang them on the handles of the kettle. Allow excess fat to drain back into the kettle.
10. **IDLING** - During idle periods, lower the temperature setting of the thermostat to approximately 200° F (93°C). It is not necessary to maintain full cooking temperature during idle periods, for the fat can be reheated quickly to the desired temperature. This procedure will result in longer fat life and less gas consumption.

**NOTE:** See the Handy Frying Chart for recommended temperature and time required to properly fry various foods as well as procedures and coating suggestions.

11. **TO TURN THE FRYER OFF** - Turn the thermostat dial knob counterclockwise to the "OFF" position. The pilot will remain lit.
12. **STRAINING FAT** - Wait until fat is warm before straining fat. Slip filter bag over end of drain valve nipple and tie in place with a bow knot so it will not slide off. Place a receptacle under bag and slowly open drain valve. When the kettle is empty, use a small pot to pour hot oil vigorously around sides, tubes and bottom of kettle to wash out crumbs, etc. Continue to pour until all crumbs, etc. are washed into filter bag. Remove filter bag and wash for next use. Close drain valve, and pour fat back into kettle.

13. **TO DRAIN KETTLE** - Turn thermostat dial to the "OFF" position. Remove baskets. Drain fat from kettle only when fat is warm and liquid. A cold fryer heated up will not drain properly. Use a stick, if necessary, to stir up cold fat in bottom of kettle. Remove crumb tray.
14. **CLEANING THE EXTERIOR** - The exterior surfaces can be kept clean and attractive by regularly wiping with a clean soft cloth. Any discoloration can be removed with a non-abrasive cleaner.
15. **REASSEMBLING** - After the kettle has been cleaned and the fryer body wiped off, replace crumb tray.
16. **OVERNIGHT SHUTDOWN** - Turn knob on combination control to the "PILOT" position. This will maintain the safety pilot and also prevent any gas from reaching the main burner. To activate unit, turn the combination control knob to the "ON" position.
17. **COMPLETE SHUTDOWN** - Turn valve knob to "OFF" position.



## **CAUTION**

**DO NOT ATTEMPT TO FORCE THE RESET BUTTON OR KNOB ON THE VALVE CONTROL UNDER ANY CIRCUMSTANCES.**

## **GENERAL MAINTENANCE TIPS**

1. **DO NOT** fire empty kettle or with fat or oil beneath the minimum level indicator.
2. **DO NOT** fry foods in excess of 385°F (196°C).
3. **DO NOT** overfill your fry kettle.
4. **DO NOT** allow burned crumbs to accumulate.
5. **DO** melt solid fat or shortening before filling fryer.
6. **DO** keep kettle filled to capacity at all time.
7. **DO** use correct fry fats and shortening, and follow temperature recommendations.
8. **DO** filter fat and clean fry kettle daily.

## PROPER CLEANING OF KETTLE



### CAUTION

**DO NOT ALLOW WATER TO GET IN HOT FAT. IT CAN EXPLODE.**

1. Drain fat from fryer while the fat is warm, not hot.
2. Rinse to remove all loose residue and crumbs.
3. Fill with water. Bring to a boil and add a fryer cleaner. Boiling time will depend on condition of the fryer (30 minutes to 2 hours or until clean).
4. Turn heat off, drain and rinse with water until clean.
5. Use a vinegar rinse (2 to 3 cups) to stir, drain and rinse thoroughly with clear water.
6. Wipe kettle with a soft cloth and allow to thoroughly dry.
7. Add fat. Melt solid fat or shortening before filling fryer. Never attempt to use solid shortening to fill kettle. The shortening Must Be Liquid.

## REPAIRS AND SERVICE

This appliance should only be repaired or serviced by the factory or factory authorized personnel.



### CAUTION

**Moving this fryer with hot liquid is extremely hazardous and can cause serious burns. Before moving fryer, drain oil.**

# CAUTIONS FOR ALL DEEP FAT FRYERS

NEVER LEAVE AN OPERATING FRYER UNATTENDED

REMEMBER HOT OIL IS DANGEROUS – **RESPECT IT!**



## WARNING – INSTALLATION

- Locate your fryer in a protected place so that it cannot be tipped over or knocked off its support. A mechanical restraint should be installed to prohibit the fryer from tipping or moving. Consult your local codes for allowable methods of restraint.
- Install an automatic fire extinguisher over the fryer and in the exhaust duct.
- Be sure your power supply is installed properly and in accordance with the local and national codes.
- Install a shut-off switch or gas valve close to the fryer. It must turn off the fryer immediately.
- Failure to add a mechanical restraint can result in oil splashing out and contacting the skin, leading to serious injury or death!



## WARNING – HOT OIL

- Hot oil is dangerous – Severe burns can result when hot oil contacts the skin.
- Hot oil is flammable – Keep open flames away from hot oil and its vapors.
- Never allow water or ice to get in hot oil.  
**IT CAN EXPLODE!**



## WARNING - ENVIRONMENT

- Keep your floors clean and free of grease and all other substances so no one slips accidentally and contacts the hot fryer.
- Keep areas and filters clean above your fryers – Oil soiled lint or dust can ignite easily and flames will spread rapidly.



## WARNING – MAINTENANCE

- Have your equipment checked regularly to insure its safe and properly functioning.
- If your fryer starts to smoke or boil abnormally, cut off the power supply immediately and determine the reason for the smoking or boiling before attempting to use it again.



## WARNING – TRAINING

- Train all personnel to understand the hazards of hot oil. Instruct them on the proper action to take if something does not seem to be acting properly.
- Instruct your personnel on what to do if there is an oil fire. Do not use water on an oil fire! Use only fire extinguishers of the approved type and never direct such extinguishers so as to blow the oil out of the oil container.



## CARE OF FAT

In three to six months you may spend as much for fat as you paid for your kettle. So fat is an item you want to know all about; how to select it; how to manage it. The more production you can get from each pound of fat, the more profitable your frying operation will be.

To get a high rate of production per pound of fat you have to avoid two things. One is early breakdown and spoilage of the compound so that you have to throw it away before it does enough work to "earn its keep." The other is excessive sponging up of fat by the food being fried.

The main cause of fat breakdown is excessive heat. On the other hand abnormal absorption is caused by frying too long at too low temperatures. One answer to both problems is exact control of heat — so that fat neither smokes up nor soaks up.

Of course, no fat "keeps" forever. Not only heat, but air and moisture, salt particles and crumbs of food work to break it down. But you can slow up fat deterioration by maintaining proper temperatures and by draining your kettle, filtering or straining the fat once or twice a day and by keeping the kettle itself absolutely clean.

A number of commercial devices and materials are available to aid in eliminating fat impurities. There are several excellent models of pressure filters as well as strainer-type filters, which, if used regularly, will prolong life of fat.

However, no purification device will renew broken down or rancid fat or put new life into it. Once you have allowed fat to break down it becomes unsuitable for frying — in fact browning is impossible.

In addition to filtration, you can prolong the usefulness of fat by sweetening it with fresh compound every day - replacing about 15% of the bulk you started with. If you do enough frying so that normal absorption of fat in food amounts to 15% to 20% of the capacity of your kettle every day - then you can call that your turn-over food. It means you can add the recommended 15% of fresh fat without discarding any of the old.

### 10 POINT PROGRAM TO PRESERVE FAT AND PRODUCE THE FINEST FRIED FOODS

1. Choose a fat that does not break down quickly. Hydrogenated shortening, corn, and peanut oils are less likely to break down under high temperatures.
2. Do not fry foods at temperatures above those recommended. The higher the fat temperature, the more rapid the rate of fat deterioration. Above 400°F fats quickly deteriorate.
3. During short intervals between frying, turn the heat down. Do not keep heat on for long periods between batches.
4. Keep fat clean. Strain or filter daily or at end of each shift. Add at least 15% fresh fat to your kettle daily.
5. At least once a day, cool a small amount of fat and taste it to see if it has picked up foreign flavors.
6. Discard fat that tends to bubble excessively before food is added.
7. Do not overload baskets-pieces should not touch when frying. Shake baskets to prevent food from sticking together. Fry similar sizes together.
8. Never salt foods directly over fat, salt in fat reduces its life.
9. Raw, wet foods, such as potatoes and oysters, should be drained or wiped dry before frying to extend the life of the frying fat. Have foods to be fried at room temperature.
10. Keep fat temperatures below smoking point to minimize frying odors.

## HANDY FRYING CHART

FOOD	COATING	PROCEDURE	TEMP	TIME IN MINUTES
<b>POTATOES</b>				
Standard French Fries		Cut in uniform pieces 1/2" square the long way	350°	5-7
Blanch Only			350°	3-1/2
Brown Only			350°	3-1/2
Long Branch		Cut in uniform pieces 3/4" square the long way	350°	7-10
Julienne (shoe string)		Cut in uniform pieces 1/8" to 1/4" square the long way	350°	3-6
Chips		Soak in cold running water until water does not run milky	350°	2-3
<b>CHICKEN</b>				
Large Pieces	Batter or	Some prefer rolling in	325°	9-11
Small Pieces	Breading	seasoned flour, dipping in egg	340°	7-10
Pre-cooked		wash, and frying	350°	3-4
<b>FISH</b>				
Fillets (Large)	Breading	Select fillets of uniform	350°	4
Fillets (Small)	or Batter	size, skin out and dry.	350°	3
Oysters	Breading	Use Oyster liquor in batter		
	or Batter	or breading	350°	5
Clams	Batter		350°	1
Scallops	Breading		350°	4
Shrimp	Batter	Some prefer soaking 1/2 hour in cold seasoned milk	350°	3
Smelts	Breading	Cut spinal cord several places to prevent curling	350°	4
<b>MEATS</b>				
Chicken Fried Steak	Breading	Sever all connecting membranes at one inch intervals to prevent curling	360°	3-4
Cutlets	Breading		350°	3-4
Chops	Breading		340°	3-4
Meat Balls	Breading or			
	rolled in flour		340°	4-6
Brains	Breading		340°	3-5
<b>VEGETABLES</b>				
Asparagus	Batter or crumbs	Pre-cook in salted water	350°	3
Cauliflower	Batter or crumbs	Pre-cook and separate flowers	350°	3
Egg Plant	Crumb Breading	Peel, cut cross-wise into 1/4" slices	350°	3
Onions	Light batter	Slice thin, soak in milk for two hours	350°	3
<b>FRITTERS</b>				
Fruit (bananas, pineapples, apricots, berries)		Serve with fruit juice	350°	3-5
Corn	Batter	Serve with syrup or jelly	350°	3-5
Vegetable (peas, green beans)		Serve with tomato cheese sauce	350°	5-8
<b>MISCELLANEOUS</b>				
Croquettes	Breading		360°	3
Chinese Noodles			375°	1-2
French Toast			375°	1
<b>DOUGHNUTS</b>				
Cake			375°	1-1/2 - 2
Yeast, raised			375°	1



STAR MANUFACTURING INTERNATIONAL INC.  
#10 SUNNEN DRIVE, ST. LOUIS, MO. 63143, USA

MATERIAL ~  
FINISH ~

MODEL NO. 404A  
615F, 630F

PART NO.  
SK1758

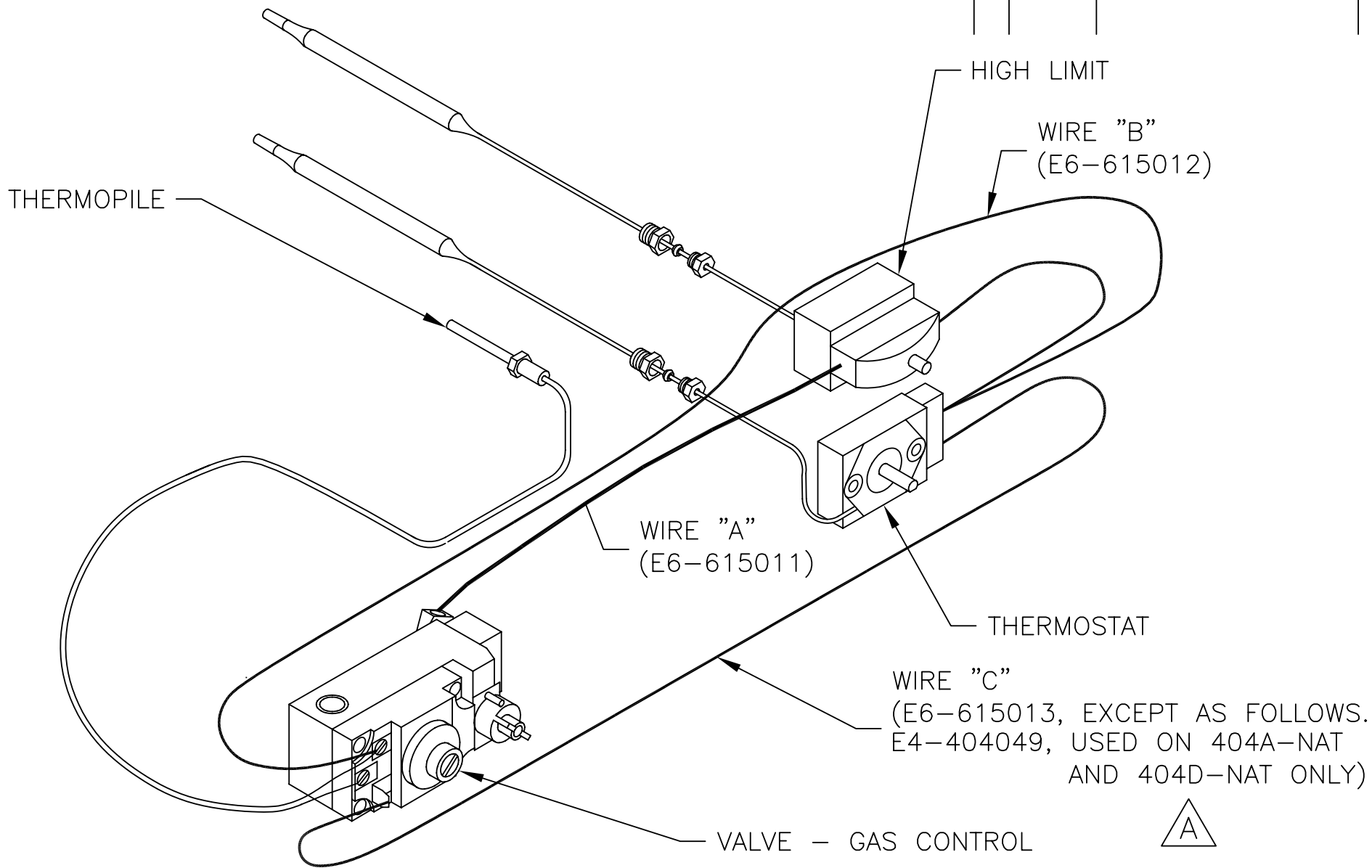
DR. M.P. CK. DATE 03-02-2000

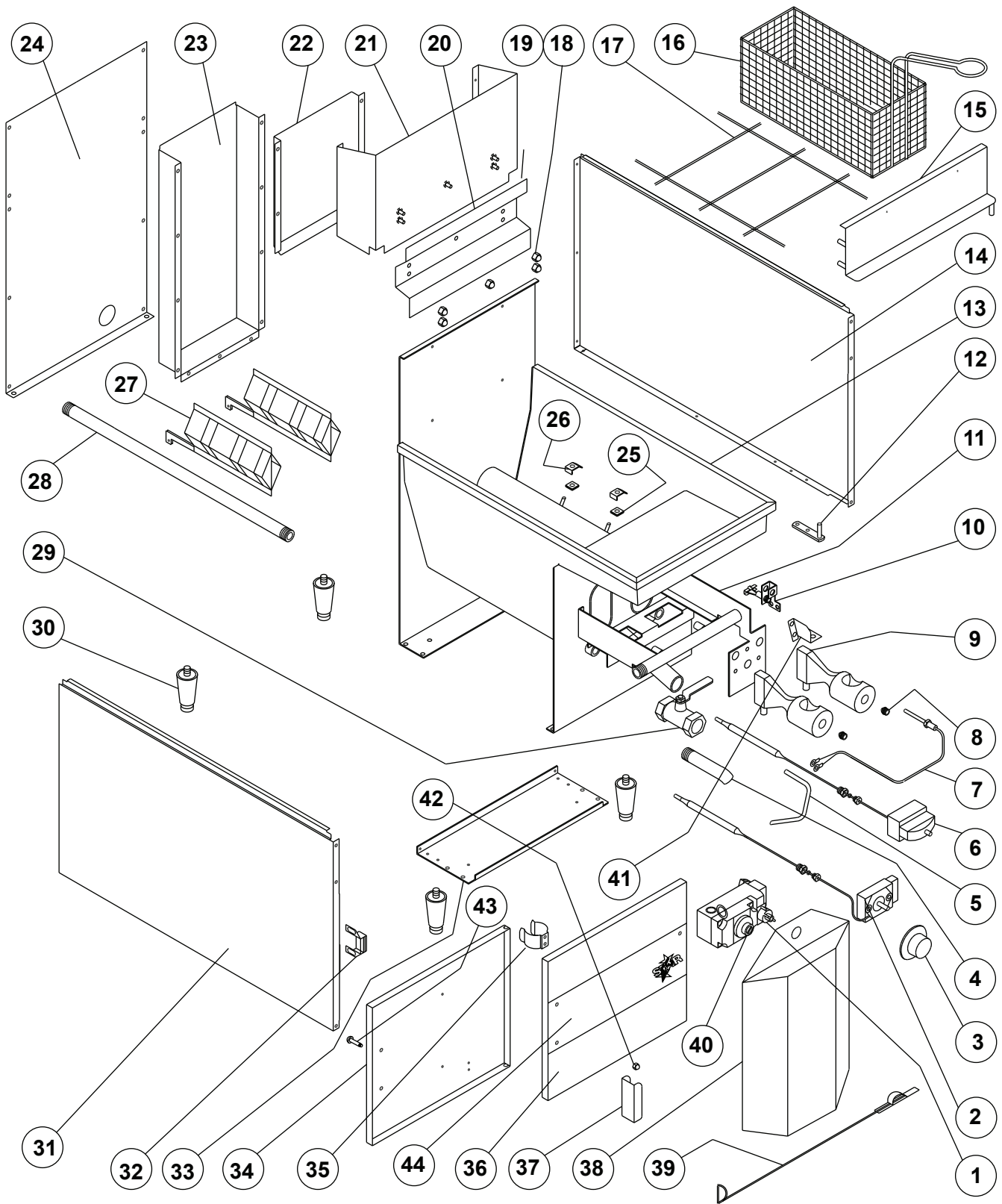
TITLE  
WIRING DIAGRAM

REVISIONS	LTR	DATE	DESCRIPTION OF CHANGE	DR
A		3/25/03	ADDED WIRE ASSY. NO FOR 404D,D-NAT ONLY	PMR

TOLERANCES UNLESS OTHERWISE NOTED  
FRACTIONS ± 1/64 DECIMALS ± .005

THIS DRAWING CONTAINS INFORMATION CONFIDENTIAL TO STAR MFG. INT'L. INC.  
NO REPRODUCTION OR DISCLOSURE OF ITS CONTENTS IS PERMITTED.





SOME ITEMS ARE INCLUDED FOR ILLUSTRATIVE PURPOSES ONLY AND IN CERTAIN INSTANCES MAY NOT BE AVAILABLE

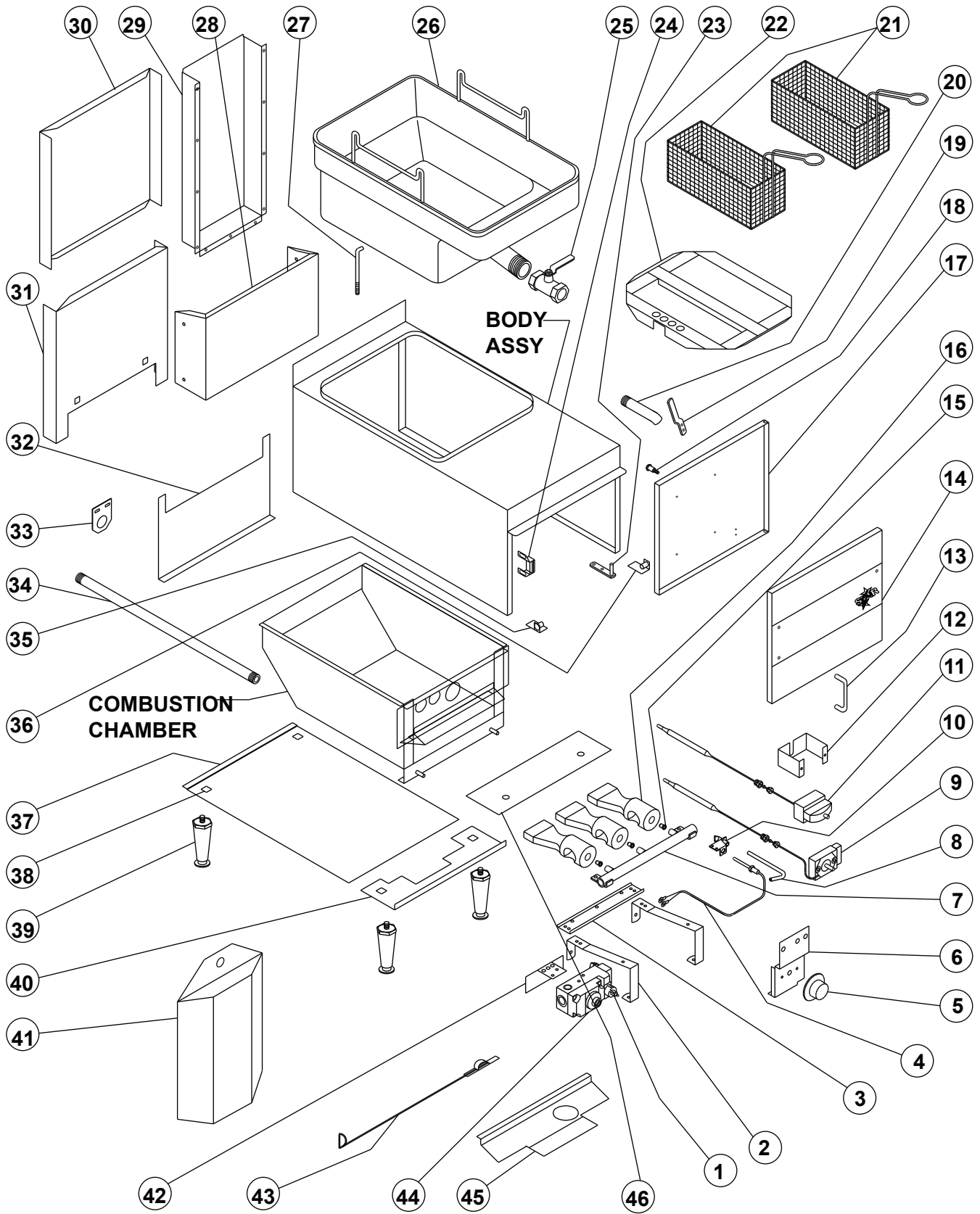
**MODEL 404D**  
**FRYER NAT/PROP**

**STAR MANUFACTURING INTERNATIONAL, INC.**  
 SK1396 REV. E 07-20-05

# Parts List

10/16/12 BBE

Model: 404A Countertop Gas Fryer				
Fig NO	Part No	Qty	Description	Application
1	2J-Z0601	1	VALVE-7000	NATURAL GAS
	2J-Y9268	1	VALVE-7000	PROPANE
2	2T-Y9265	1	THERMOSTAT	
3	2R-Y9086	1	KNOB	
4	E4-404033	1	DRAIN FITTING	
5	E4-Z0112	1	TUBE PILOT	
6	2T-Y9266	1	SAFETY THERMOSTAT	
7	2J-Y9270	1	THERMOPILE	
8	2A-Y5470	2	ORIFICE #51 NATURAL GAS	
	2A-Z0296	2	ORIFICE #60 PROPANE	
9	E4-404036	2	BURNER	
10	2J-Z0555	1	PILOT	NATURAL GAS
	E4-Z0556			PROPANE
11	E4-404040	1	MANIFOLD ASSY	
12	E4-404034	1	RETAINER HINGE	
13	E4-404030	1	KETTLE ASSY	
14	E4-Z0086	1	PANEL RIGHT	
15	E4-404032	1	TRIM-FRONT ASSY	
16	2B-404022	2	BASKET ASSY	
17	E4-401043	1	BASKET RACK ASSY	
18	2C-2555	5	ACORN NUT #8-32	
19	2C-H8670	5	WASHER #8 INT. TOOTH	
20	E4-Z0446	1	HANGER-BASKET	
21	E4-404043	1	COVER FLUE ASSY	
22	E4-Z0562	1	BAFFLE-FLUE	
23	E4-Z0048	1	FLUE-BACK	
24	E4-Z0049	1	PANEL-BACK	
25	F2-9173	4	SPACER-THERMOSTAT-BULB	
	PS-401058	AR	BULB CLAMP ASSY FOR REPLACIING BROKEN STUDS ON KETTLE TUBES	
26	F2-9074	4	CLAMP-THERMOSTAT BULB	
27	E4-404042	2	RADIANT ASSY	
28	2K-Y9975	1	PIPE 3/8 NPT 21" LONG	
29	2V-Z0312	1	VALVE-DRAIN 3/4 NPT	
30	2A-Z0314	4	FOOT-2-1/2"	
31	E4-Z0085	1	PANEL-LEFT	
32	2C-9788	1	CATCH-MAGNETIC	
33	E4-Z0088	1	BOTTOM-FRONT	
34	E4-Z0037	1	LINER-DOOR	
35	2C-Z3658	1	CLIP-TUBE	
36	E4-Z0041	1	PANEL-DOOR	
37	2R-8229	1	PULL-DOOR	
38	2G-5886	1	BAG-FILTER	
39	2J-7961	1	E-Z LIGHTER ROD	
40	2J-Y9977	1	LPT PRESSURE REGULATOR (OPTIONAL FOR PROPANE)	
41	E4-Z0554	1	BRACKET-PILOT	



SOME ITEMS ARE INCLUDED FOR ILLUSTRATIVE PURPOSES ONLY AND IN CERTAIN INSTANCES MAY NOT BE AVAILABLE

**MODELS:**  
615F/630F

**STAR MANUFACTURING INTERNATIONAL, INC.**  
SK1376 REV. B 11-06-96

# Parts List

May 10, 2011

Model: 615F/630F Countertop Gas Fryer				
Fig No	Part No	Qty	Description	Application
1	2J-Z0607	1	VALVE-7000 NATURAL GAS	615F
	2J-Y9268		VALVE-7000 PROPANE	615F
	2J-Z6452		VALVE 71-502 NATURAL GAS	630F
	E6-Z0602		VALVE-7000 PROPANE	630F
2	E6-Y9752	2	SUPPORT MANIFOLD	
3	E6-Y9802	1	SUPPORT BURNER	615F
	E6-Y9803			630F
4	2J-Y9270	1	THERMOPILE	
5	2R-Y9086	1	KNOB	
6	E6-Y9727	1	BRACKET-THERMOSTAT	615F
	E6-Y9953			630F
7	E6-615010	1	MANIFOLD ASSEMBLY	615F
	E6-630010			630F
8	E6-Y9954	1	PIPE-PILOT	615F
	E6-Y9726			630F
9	2T-Y9265	1	THERMOSTAT	
10	2J-Y9690	1	PILOT	NATURAL GAS
	E6-Y9691			PROPANE
11	2T-Y9266	1	SAFETY THERMOSTAT	
12	E6-Y9952	1	SHIELD - HIGH LIMIT	615F
13	2R-8229	1/2	PULL-DOOR	615F/630F
14	E6-Y9649	1	DOOR PANEL	615F
	E6-Y9879			630F
15	2A-Y1255	3	ORIFICE NATURAL GAS (#52)	615F
	2A-7756		ORIFICE PROPANE (#63)	615F
	2A-Y9943	6	ORIFICE NATURAL GAS (#50)	630F
	2A-9368		ORIFICE PROPANE (#61)	630F
16	E2-215024	3/6	BURNER	615F/630F
17	E6-Y9650	1	DOOR LINER	615F
	E6-Y9880			630F
18	2A-Y9925	2/4	SCREW	615F/630F
19	2C-Z3658	1	CLIP-TUBE	
20	E4-404033	1	DRAIN FITTING	
21	2B-115775	1	BASKET RIGHT	615F
	2B-115774		BASKET LEFT	615F
	2B-Y8846		BASKET RIGHT	630F
	2B-Y8847		BASKET LEFT	630F
22	E6-615017	1	CRUMB TRAY ASSY	615F
	E6-630014			630F
23	E4-404015	1	HINGE PIN RETAINER ASSY	615F
24	2C-9788	1/2	CATCH-MAGNET	615F/630F
25	2V-Z0312	1	VALVE DRAIN	
26	E6-615015	1	KETTLE ASSY	615F
	E6-630015			630F
27	2A-Y9751	2	HOOK-KETTLE	
28	E6-Y9731	1	FLUE-COVER FRONT	615F
	E6-Y9874			630F
29	E6-Y9730	1	FLUE-REAR	615F
	E6-Y9873			630F

# Parts List

May 10, 2011

Model: 615F/630F Countertop Gas Fryer (continued)				
Fig No	Part No	Qty	Description	Application
30	E6-Y9732	1	FLUE-COVER REAR	615F
	E6-Y9875			630F
31	E6-Y9729	1	FLUE-FRONT	615F
	E6-Y9872			630F
32	E6-Y9618	1	BACK COMBUSTION	615F
	E6-Y9820			630F
33	E6-Y9924	1	INLET PIPE SUPPORT	
34	2K-Y9975	1	PIPE 3/8 NPT 21"	615F
	2K-Y9976		PIPE 1/2 NPT 21"	630F
35	E6-630011	1	BRACKET LEFT	630F
36	E6-630012	1	BRACKET RIGHT	630F
37	E6-Y9619	1	BOTTOM	615F
	E6-Y9877			630F
38	2C-Y7565	4	NUT 3/8-16	
39	2A-Z0314	4	LEG	
40	E6-Y9562	1	BOTTOM FRONT	615F
	E6-Y9876			630F
41	2G-5886	1	BAG-FILTER	
42	E6-Y9951	1	SHIELD-VALVE	
43	2J-7961	1	E-Z LIGHTER ROD	
44	2J-Y9977	1	LPT PRESSURE REGULATOR (OPTIONAL FOR PROPANE)	
45	E6-Y9620	1	BAFFLE-BOTTOM	615F
	E6-Y9878		BAFFLE-BOTTOM	630F
46	E6-Y9043	1	DEFLECTOR-FLAME	630F