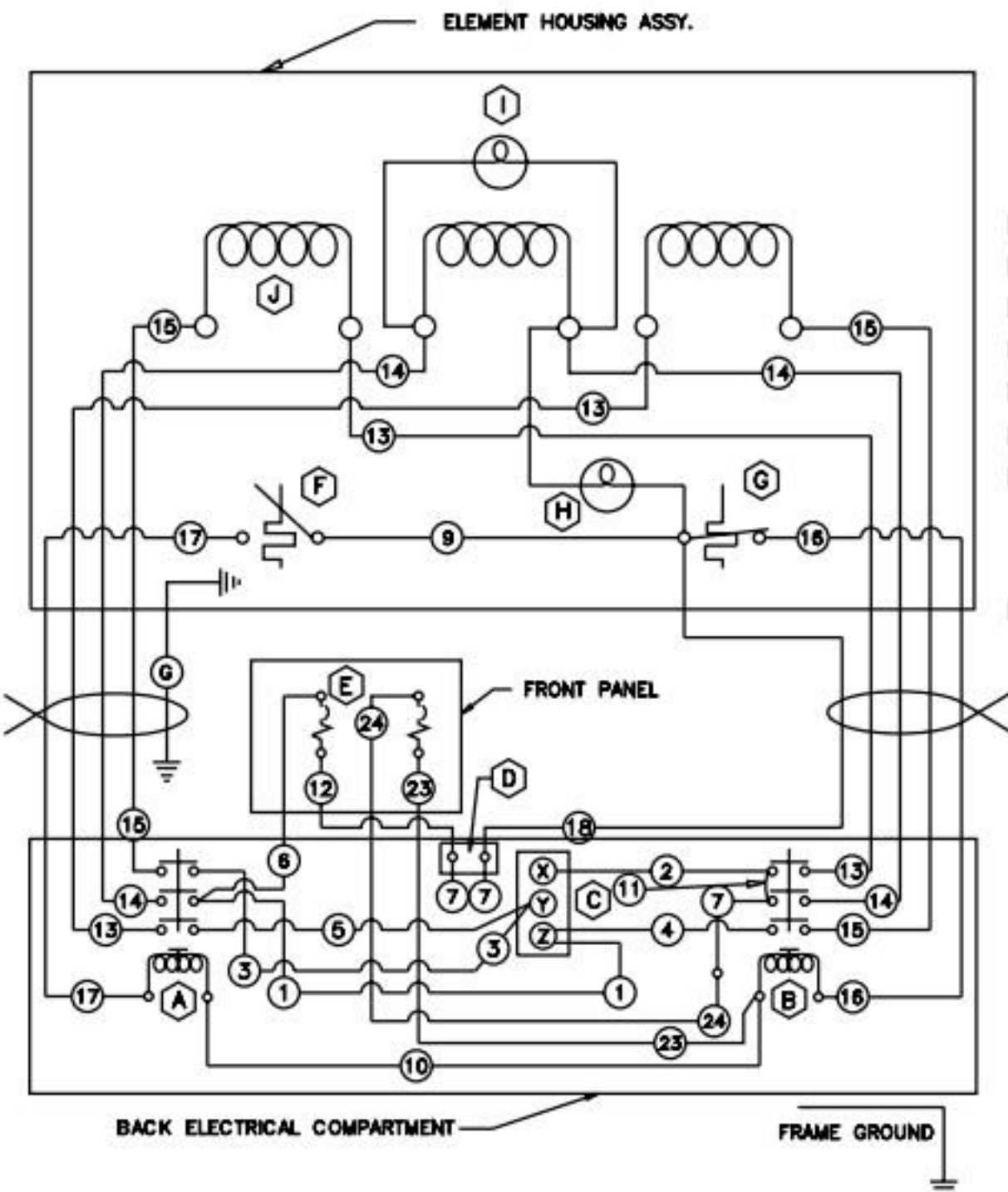
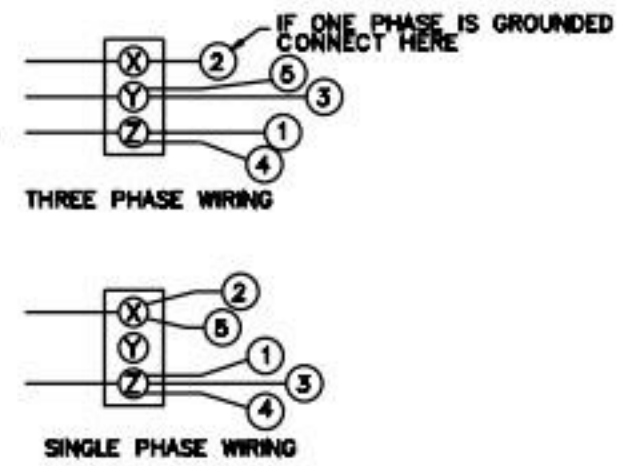


MATERIAL ~			FINISH ~			MODEL NO. 530F,530FD		PART NO. SK 1288	
DR. BN	CK.	DATE 10/20/93	STAR MFG. INTERNATIONAL, INC. 10 SUNNEN DRIVE ST. LOUIS, MO 63143			TITLE WIRING DIAGRAM			
LIMITS UNLESS OTHERWISE NOTED FRACTIONS ± 1/64 DECIMALS ± .005									
			CHANGES		LTR	DATE	CHANGE	DR	
					-		RELEASED FOR PRODUCTION	MN	
					A	3/10/95	#12 WIRE WAS #6	BN	
					B	05/05/03	ADDED 530FD	DWD	



- (A) CONTACTOR (THERMOSTAT)
- (B) CONTACTOR (SAFETY THERMOSTAT)
- (C) TERMINAL BLOCK (SUPPLY)
- (D) TERMINAL BLOCK (FIRE SYSTEM) HANDLING 240V AT 13 V.A.
- (E) CIRCUIT BREAKER
- (F) THERMOSTAT
- (G) SAFETY THERMOSTAT
- (H) SIGNAL LIGHT (POWER ON)
- (I) SIGNAL LIGHT (HEATING)
- (J) ELEMENT (3) [3.83 KW EACH AT 240V]



WIRE SIZES:
 KEYS 1, 3, 5, 11, 13, 14, 15, GR - #14 GA.
 KEYS 2, 4 - #12 GA.
 KEYS 7 - #18 GA.
 ALL OTHER INTERNAL WIRING IS #18 GA.

THREE PHASE						SINGLE PHASE				
VOLTAGE										
208	220	240	208	240						
RATED WATTAGE										
8640	9660	11500	8640	11500						
NOMINAL AMPS PER LINE										
X	Y	Z	X	Y	Z	X	Y	Z	X,Z	X,Z
24	24	24	25.4	25.4	25.4	27.7	27.7	27.7	41.5	47.9
FOR SUPPLY CONNECTIONS USE #6 AWG OR LARGER									SUPPLY CONNECTIONS	
									6 AWG	6 AWG

NOTE: FOR POWER SUPPLY CONNECTIONS USE COPPER WIRE SUITABLE FOR AT LEAST 90° C. (194° F)