

REFER TO THE PARTS LIST SPECIFIC
TO YOUR MODEL FOR MORE DETAIL INFORMATION.

Model: 800 SERIES



STAR MANUFACTURING INTERNATIONAL, INC.

SK1878

REV B

3-30-09

PARTS LIST

August 27, 2012, Rev H

Ultra-Max Gas Griddle Models: 824M, 824T, 824TS, 824TM, 824TCHS, 824TSCHS				
Fig. No	Part No.	Qty	Description	Application
1	G5-Z4812	1	FLUE	824M/T/TS/TSCHS
3	G5-824004	1	GRIDDLE PLATE ASSY COMPLETE	824M
	G5-824005			824T/TS
	G5-824006			824TSCHS, 824TCHS
4	G5-Z4793	2	BULB CLAMP	824T/TS/TSCHS
5	G5-Z4794	2	BULB COVER	824T/TS/TSCHS
6	2P-Z4795	6	BULB SPRING	824T/TS/TSCHS
7	G5-Z4927	2	ORIFICE BRACKET	824M/T/TS/TSCHS
8	2F-Z4613	2	BURNER	824M/T/TS/TSCHS
9	G5-Z4800	1	SIDE BAFFLE RIGHT	ALL 824/36/48/60/72
10	2A-Z4614	4	FOOT	ALL 824/36/48/60/72
11	G5-824014	1	WASTE DRAWER ASSY	ALL 824/836/848
12	G5-Z4897	1	DRAWER GUIDE	ALL 824/836/848
13	G5-Z4799	1	PILOT BAFFLE	824TS/TSCHS
14	G5-Z4798	1	BURNER BAFFLE	824M/T
15	G5-Z4900	2	BURNER COVER	824M/T/TS/TSCHS
16	2A-9369	2	ORIFICE FITTING	824M/T/TS/TSCHS
17	2A-Z4930	2	ORIFICE NATURAL (SIZE 41)	824M/T, 824TCHS
	2A-Z4931		ORIFICE PROPANE (SIZE 52)	824M/T/TS/TSCHS
	2A-Z5542		ORIFICE NATURAL (SIZE 37)	824TS/TSCHS
18	G5-Z4801	1	SIDE BAFFLE LEFT	ALL 824/36/48/60/72
19	2M-Z4862	1	CONTROL GRAPHICS PANEL	824M
	2M-Z4863			824T, 824TCHS
	2M-Z4864		OVERLAY 824TS	824TS/TSCHS
20	2R-Z4997	2	KNOB	824M/T, 824TCHS
	2R-Z8891	2	KNOB, CONTROL U-MAX SNAP ACTION	824TS/TSCHS manuf. after 8/2005
	PS-Z9312	2	KNOB SERVICE KIT	824TS/TSCHS manuf. before 8/2005
21	G5-824012	1	CHUTE ASSEMBLY	ALL 824/836/848
22	G5-824008	1	FRONT PANEL ASSEMBLY	824M/T, 824TCHS
	G5-824026		FRONT PANEL ASSEMBLY (MOE'S)	824TM
23	G5-824025	1	FRONT PANEL ASSEMBLY	824TS/TSCHS
24	G5-824007	1	BODY ASSEMBLY	824M/T/TS/TSCHS
25	2C-Z8547	2	SCREW, 6-32 SHOULDER, KNOB STOP	
26	2E-Z1858	1	SWITCH-TOGGLE 2P 2T	824TS, 824TSCHS
	PS-Z13373		ROCKER TO TOGGLE SWITCH KIT	<i>Optional Replacment to Toggle</i>
27	Z1-70-07-0343	1	SWITCH GUARD	824TS, 824TSCHS
28	2M-12-07-0038	1	LABEL ON & OFF	824TS, 824TSCHS
29	2I-05-07-0013	1	BOOT SWITCH	824TS, 824TSCHS
N/A	2J-Z4686	1	REGULATOR (5" NAT. AND 10" LP)	ALL M/T, 824TCHS
N/A	2J-Z5541	1	REGULATOR (4" NAT AND 10" LP)	ALL TS/TSCHS
N//A	2C-Z8547	AR	BOLT, KNOB STOP	

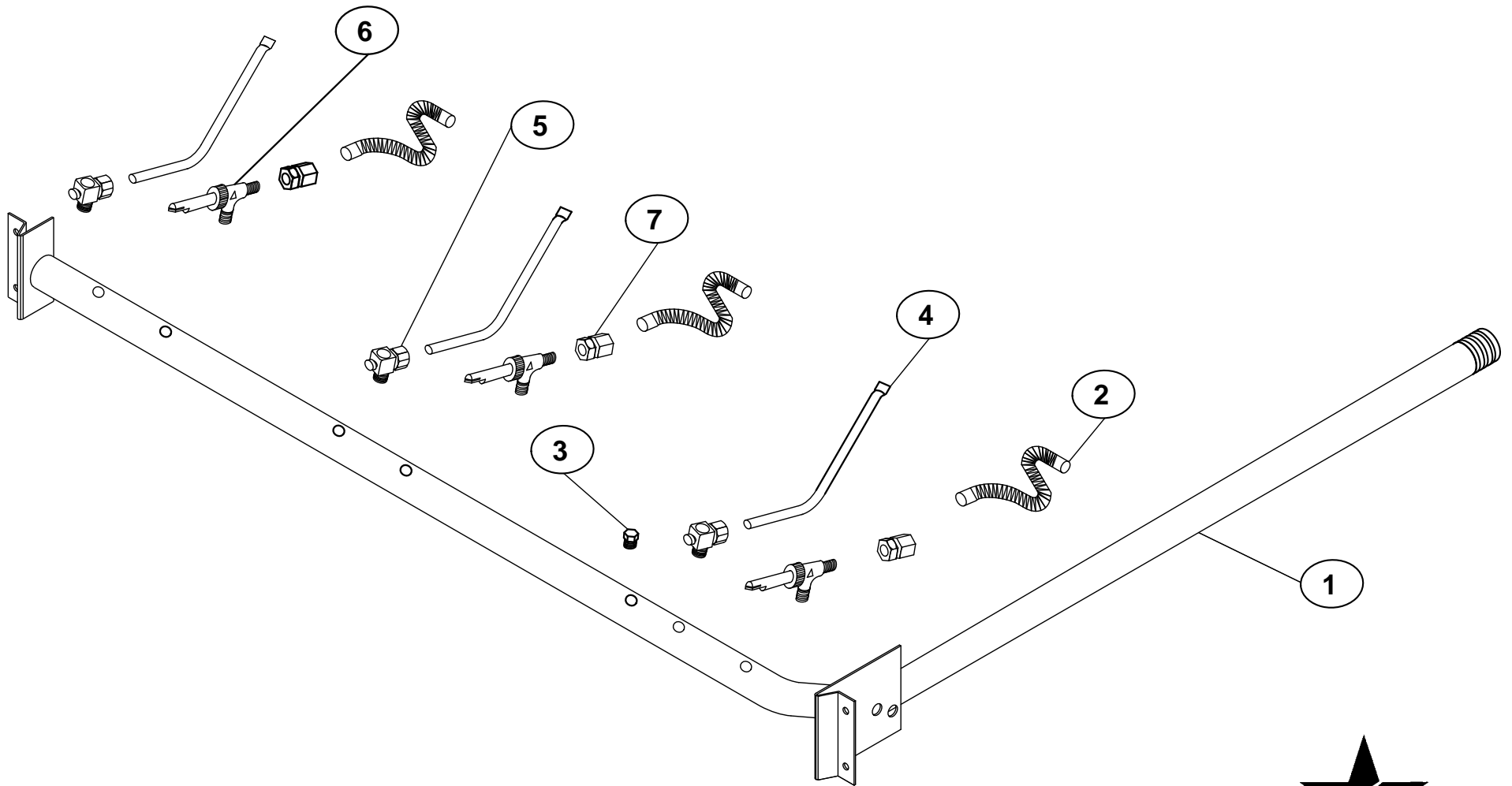
**IMPORTANT: WHEN ORDERING, SPECIFY VOLTAGE OR TYPE GAS DESIRED
INCLUDE MODEL AND SERIAL NUMBER**

PAGE 1
OF 1

Some items are included for illustrative purposes only and in certain instances may not be available.



Star International Holdings Inc. Company



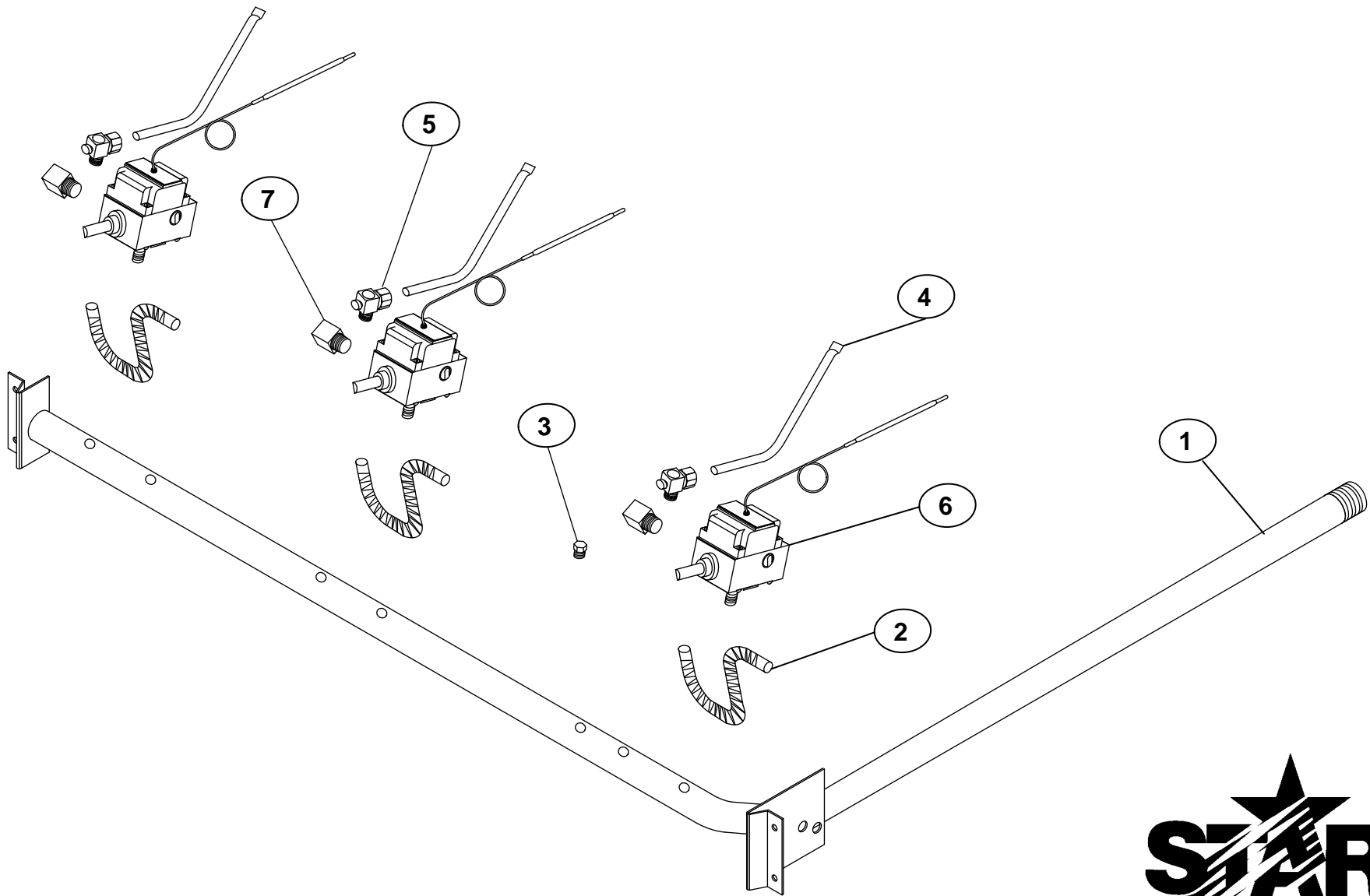
MODEL: 800M SERIES

STAR MANUFACTURING INTERNATIONAL, INC.

SK1880

Rev. -

1-20-02



MODEL: 800T SERIES

STAR MANUFACTURING INTERNATIONAL, INC.

SK1879

Rev. -

1-20-02

PARTS LIST

October 24, 2011, Rev H

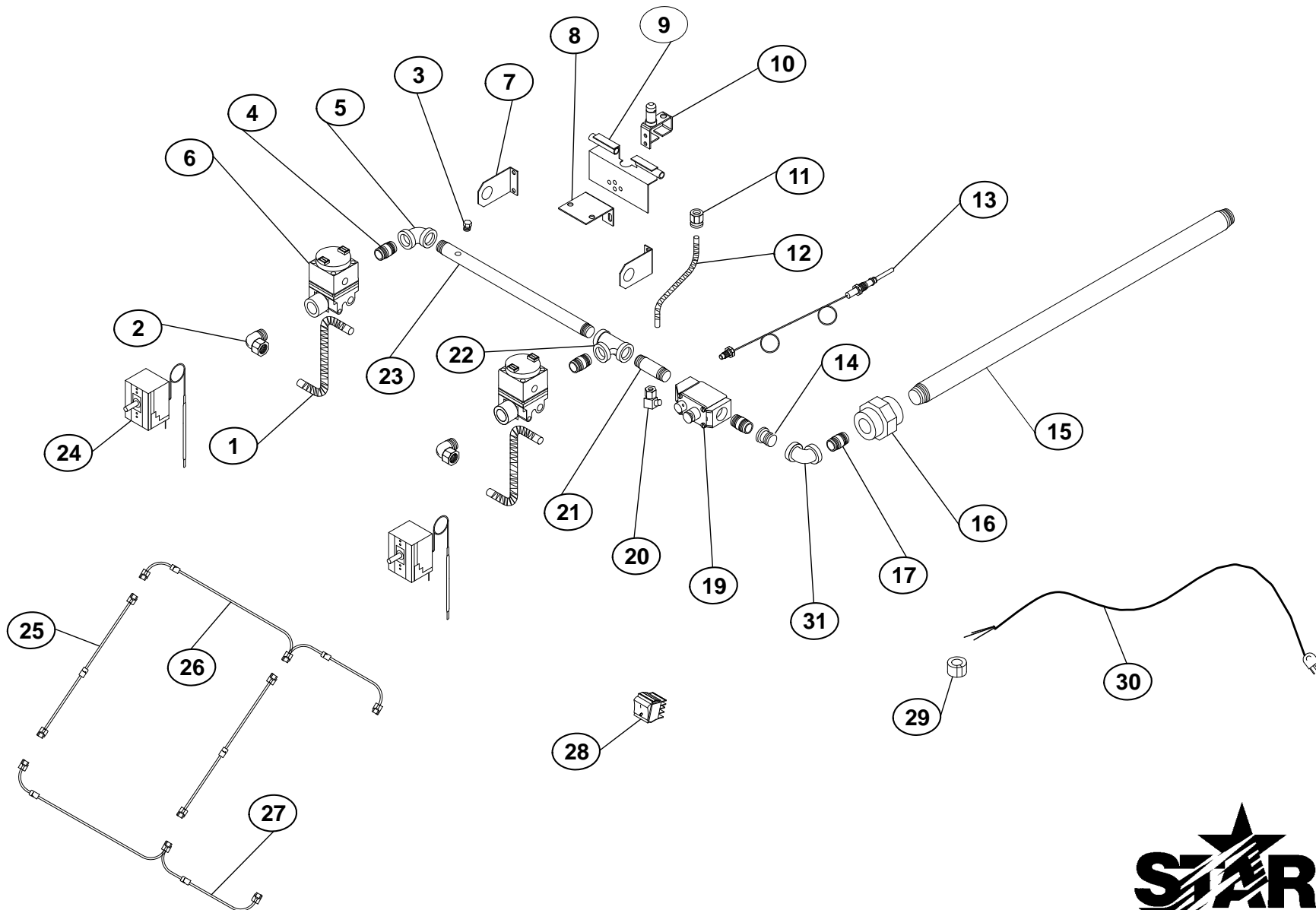
MODEL 800M and 800T Series

Key Number	Part Number	Number Per Unit	Description	Model	
1	2K-Z4901	1	MANIFOLD	824M/T	
	2K-Z4902	1	MANIFOLD	836M/T	
	2K-Z4903	1	MANIFOLD	848M/T	
	2K-Z4904	1	MANIFOLD	860M/T	
	2K-Z4905	1	MANIFOLD	872M/T	
2	2K-Z4921	2	BURNER FLEX TUBE	824M/T	
		3	BURNER FLEX TUBE	836M/T	
		4	BURNER FLEX TUBE	848M/T	
		5	BURNER FLEX TUBE	860M/T	
		6	BURNER FLEX TUBE	872M/T	
3	2P-1453	1	PIPE PLUG	ALL M/T	
4	2V-Z4821	2	PILOT BURNER	824T	
		3	PILOT BURNER	836T	
		4	PILOT BURNER	848T	
		5	PILOT BURNER	860T	
		6	PILOT BURNER	872T	
		2V-Z4906	2	PILOT BURNER	824M
		3	PILOT BURNER	836M	
		4	PILOT BURNER	848M	
		5	PILOT BURNER	860M	
		6	PILOT BURNER	872M	
	5	2V-6671	2	PILOT VALVE	824M/T
			3	PILOT VALVE	836M/T
4			PILOT VALVE	848M/T	
5			PILOT VALVE	860M/T	
6			PILOT VALVE	872M/T	
6	2T-Z4823	2	THROTTLING CONTROL	824T	
		3	THROTTLING CONTROL	836T	
		4	THROTTLING CONTROL	848T	
		5	THROTTLING CONTROL	860T	
		6	THROTTLING CONTROL	872T	
	2V-Y8832	2	MANUAL VALVE	824M	
		3	MANUAL VALVE	836M	
		4	MANUAL VALVE	848M	
		5	MANUAL VALVE	860M	
		6	MANUAL VALVE	872M	
		7	2A-Z0790	2	FITTING 3/8 CC X 3/8-27
	3			FITTING 3/8 CC X 3/8-27	836M
4	FITTING 3/8 CC X 3/8-27			848M	
5	FITTING 3/8 CC X 3/8-27			860M	
6	FITTING 3/8 CC X 3/8-27			872M	
2K-Y7111	2		FITTING 3/8 CC X 1/4 MPT	824T	
	3		FITTING 3/8 CC X 1/4 MPT	836T	
	4		FITTING 3/8 CC X 1/4 MPT	848T	
	5		FITTING 3/8 CC X 1/4 MPT	860T	
	6		FITTING 3/8 CC X 1/4 MPT	872T	

**IMPORTANT: WHEN ORDERING, SPECIFY VOLTAGE OR TYPE GAS DESIRED
INCLUDE MODEL AND SERIAL NUMBER**

PAGE 1
OF 1

Some items are included for illustrative purposes only and in certain instances may not be available.



MODEL: 824TS AND 824TSCHS

STAR MANUFACTURING INTERNATIONAL, INC.

SK1885

Rev.-

01-20-02



PARTS LIST

October 24, 2011, Rev H

MODEL **824TS** and **824TSCHS** Series

Key Number	Part Number	Model	Number Per Unit	Description
1	2K-Z4921	824TS/TSCHS	2	BURNER FLEX TUBE
2	2K-2675	824TS/TSCHS	2	FITTING 3/8 CC X 3/8 MPT
3	2P-1453	824TS/TSCHS	1	PIPE PLUG
4	2K-Y5550	824TS/TSCHS	3	NIPPLE 3/8 NPT X 1 1/2
5	2K-2665	824TS/TSCHS	1	ELBOW 3/8 NPT
6	2J-Z4610	824TS/TSCHS	2	SOLENOID VALVE
7	G5-Z4907	824TS/TSCHS	2	MOUNTING BRACKET
8	G5-824019	824TS/TSCHS	1	PILOT BRACKET ASSY
9	G5-824018	824TS/TSCHS	1	FLASH TUBE BRACKET ASSY
10	2J-Z4608	824TS/TSCHS	1	PILOT BURNER
11	2A-Y2017	824TS/TSCHS	1	PILOT ORIFICE
12	2K-Z4920	824TS/TSCHS	1	PILOT TUBE FLEX
13	2J-Z4609	824TS/TSCHS	1	THERMOCOUPLE
14	2K-Z4617	824TS/TSCHS	1	REDUCER BUSHING
15	2K-Z4616	824TS/TSCHS	1	INLET PIPE
16	2K-Z5033	824TS/TSCHS	1	UNION
17	2K-Z4618	824TS/TSCHS	1	NIPPLE 3/4 NPT X 2 1/4
19	2J-Z4607	824TS/TSCHS	1	SAFETY VALVE
20	2V-6671	824TS/TSCHS	1	PILOT VALVE
21	2K-Y4403	824TS/TSCHS	1	CLOSE NIPPLE 3/8 NPT
22	2K-9688	824TS/TSCHS	1	TEE 3/8 NPT
23	2K-Z4612	824TS/TSCHS	1	NIPPLE WITH PRESSURE TAP
24	2T-Z7440	824TS/TSCHS	2	THERMOSTAT
	PS-Z9318	824TS/TSCHS	2	THERMOSTAT SERVICE KIT
25	G5-824015	824TS/TSCHS	2	WIRE ASSEMBLY #1
26	G5-824017	824TS/TSCHS	1	WIRE ASSEMBLY 824TS "C"
27	G5-824016	824TS/TSCHS	1	WIRE ASSEMBLY 824TS "L"
28	2E-Z1858	824TS/TSCHS	1	SWITCH
29	2K-Y2967	824TS/TSCHS	1	CORD BUSHING
30	N2-30409	824TS/TSCHS	1	CORD SET 6' LONG
31	2K-Z4611	824TS/TSCHS	1	ELBOW 3/4 NPT

**IMPORTANT: WHEN ORDERING, SPECIFY VOLTAGE OR TYPE GAS DESIRED
INCLUDE MODEL AND SERIAL NUMBER**

PAGE 1
OF 1

Some items are included for illustrative purposes only and in certain instances may not be available.



Star International Holdings Inc. Company