

WIRING DIAGRAM

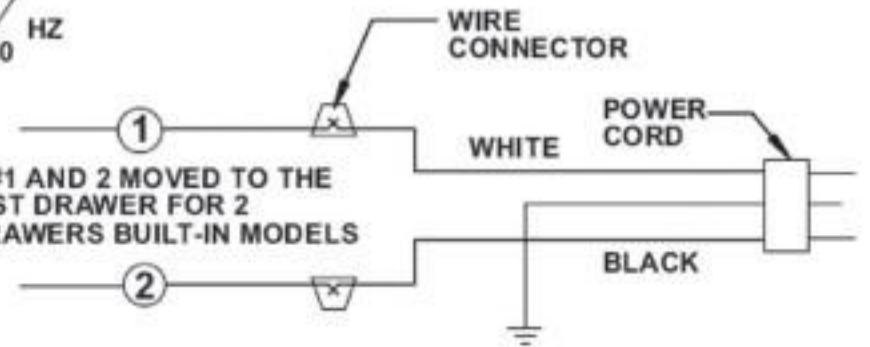
FREE STANDING AND BUILT-IN
Model RW-Series with Cap & bulb thermostat

VOLTS	AMPERES		
	1-DWR	2-DWR	3-DWR
120	3.8	7.5	11.3
208	1.6	3.3	4.9
230	1.8	3.6	5.4
240	1.9	3.8	5.6

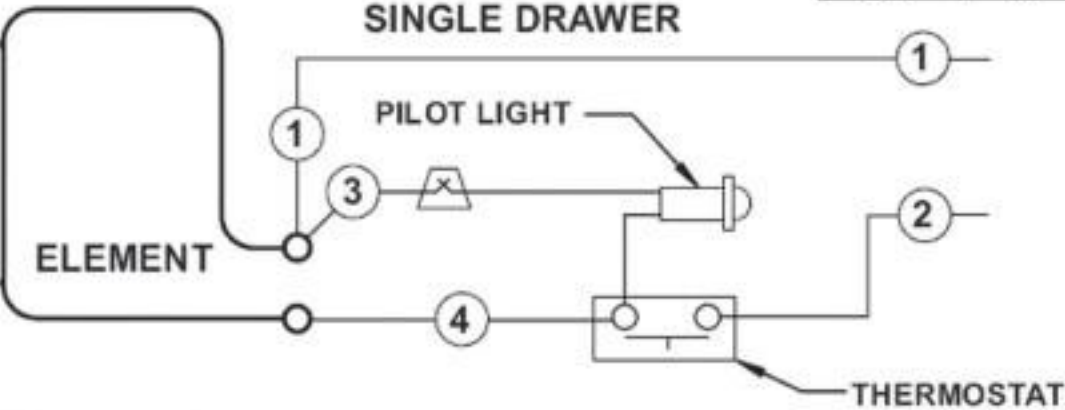
50
/ 60
HZ

POWER CORD STANDARD ON COUNTER-TOP MODELS
POWER CORD OPTIONAL ON BUILT-IN MODELS

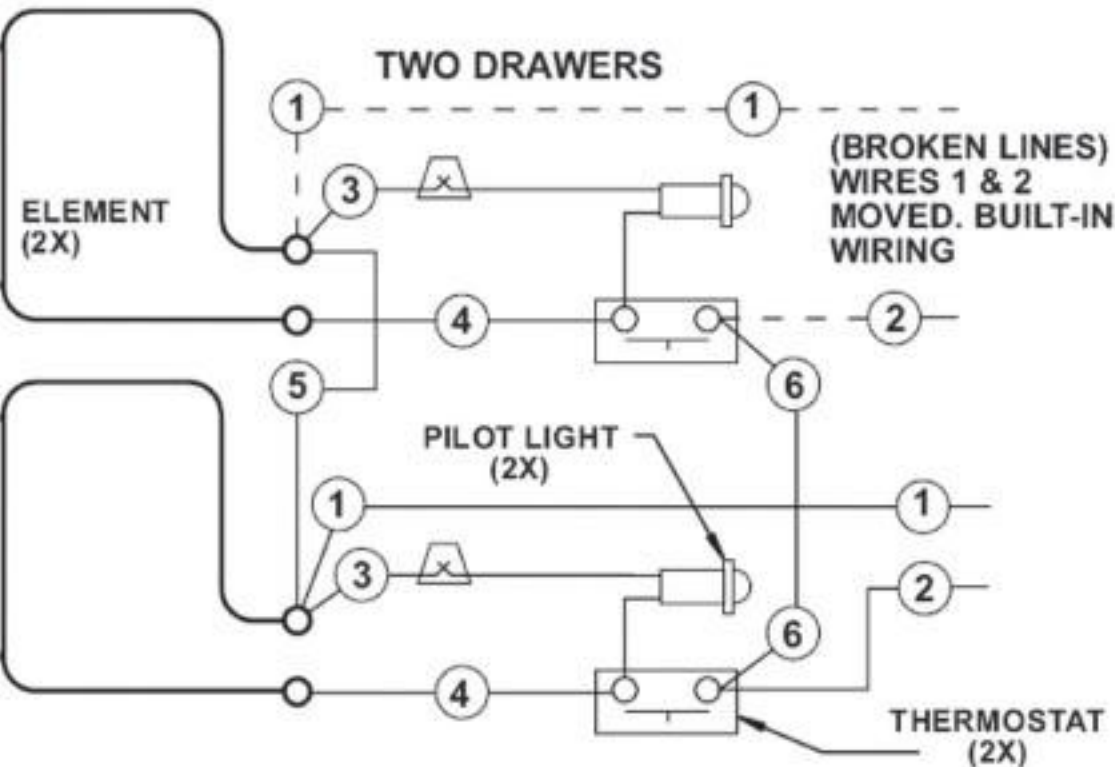
NOTE:
WIRES #1 AND 2 MOVED TO THE
TOPMOST DRAWER FOR 2
OR 3 DRAWERS BUILT-IN MODELS



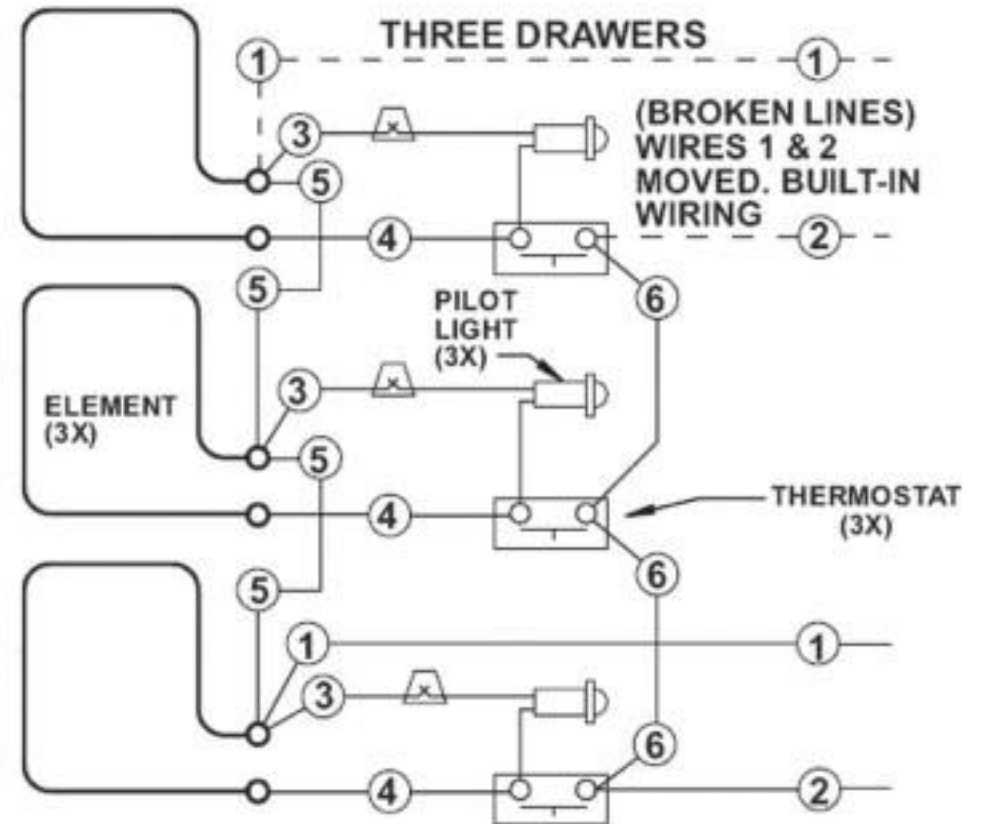
SINGLE DRAWER



TWO DRAWERS



THREE DRAWERS



307640 (A)