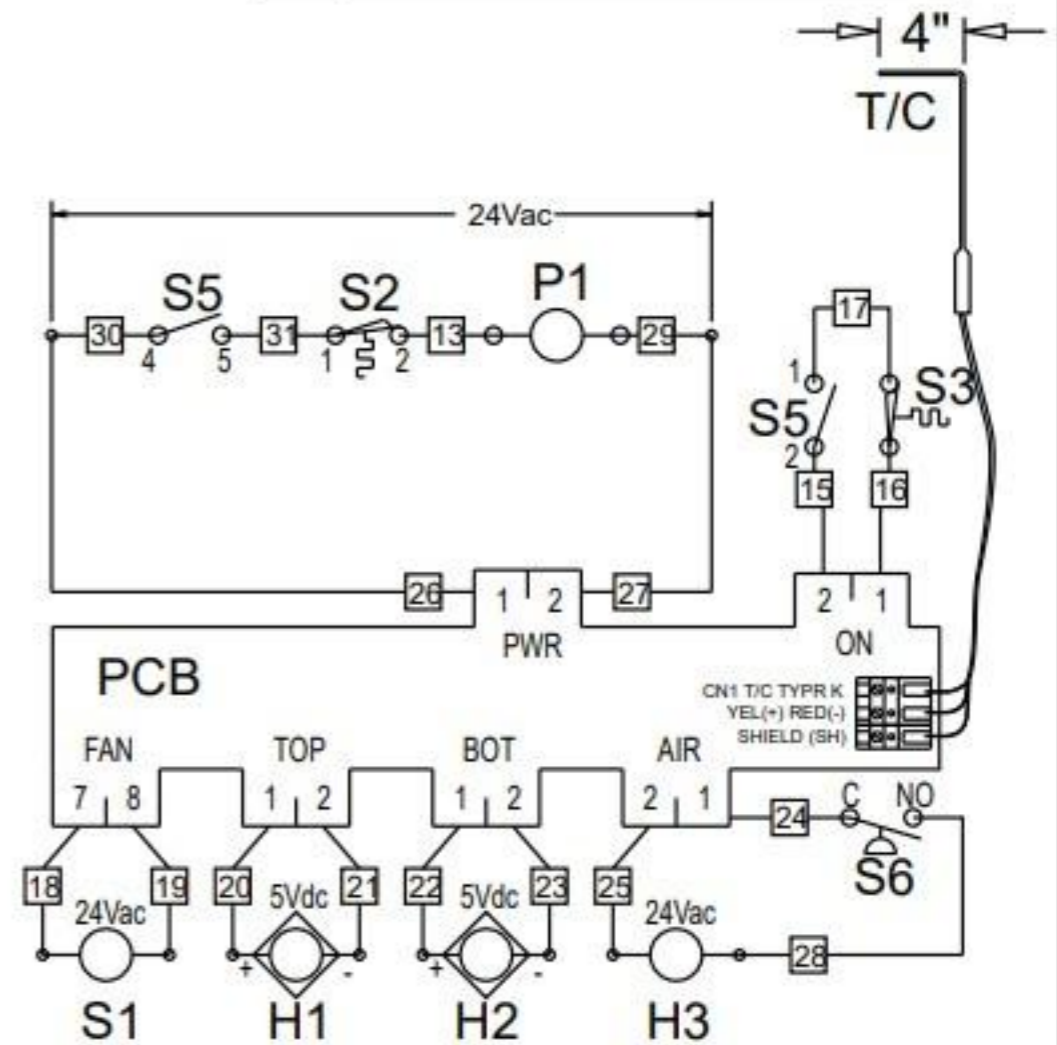
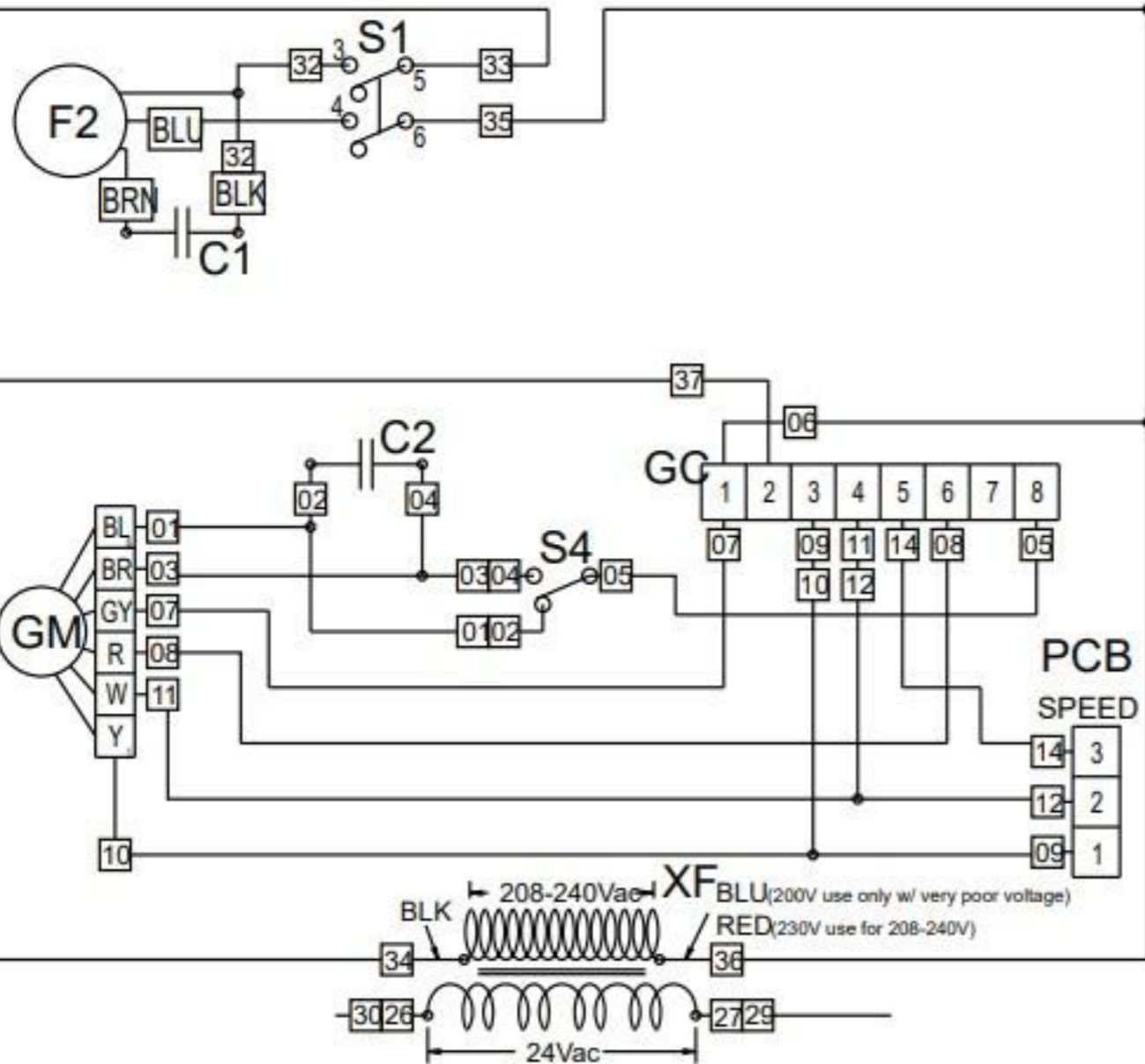
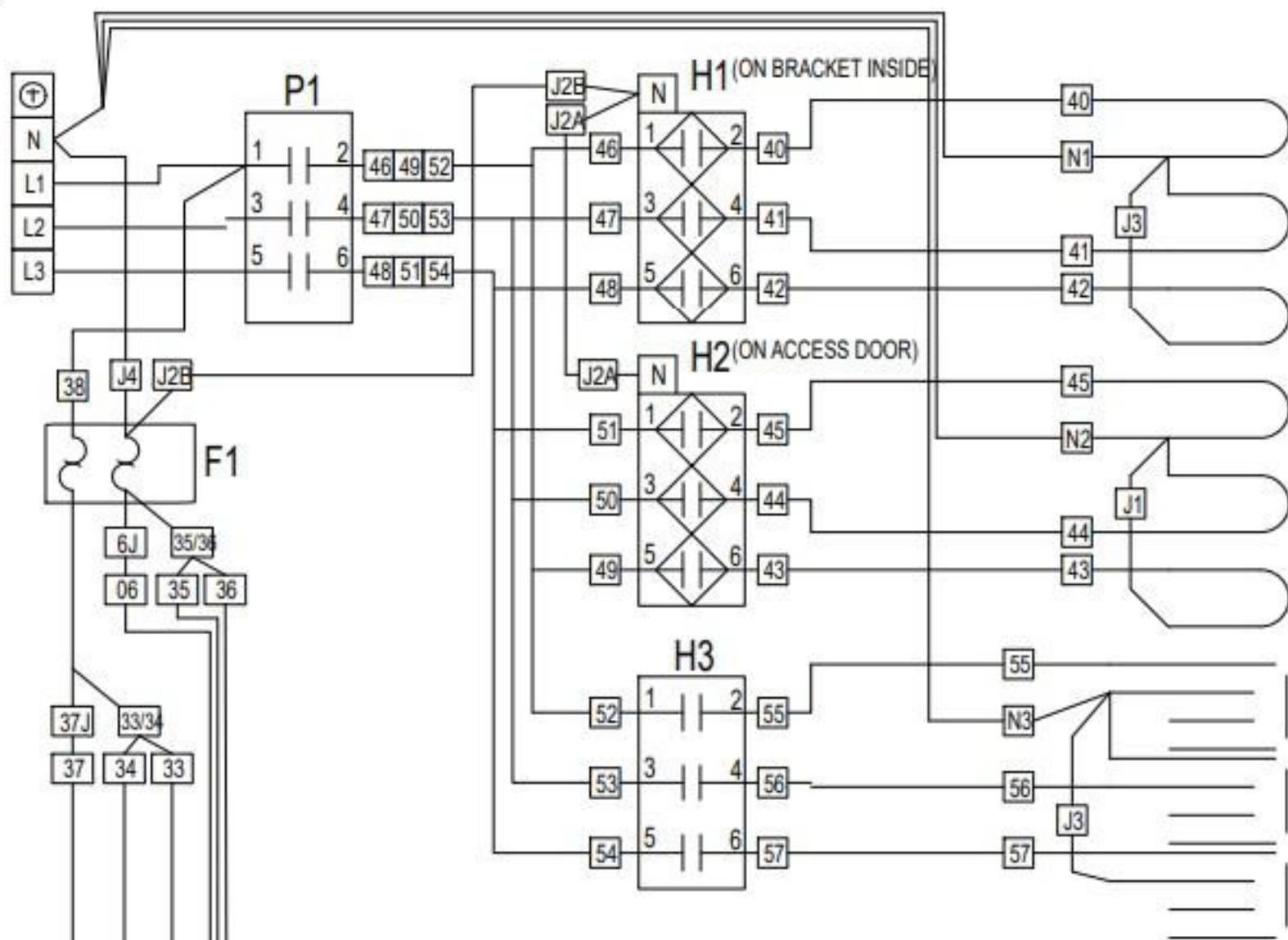


B2 COMPONENT IDENTIFICATION
 -88 WIRE MARKER NUMBERS
 1 COMPONENT MARKING (OPTIONAL, REFERENCE)
 MAY BE DIFFERENT ON COMPONENT

P1	CONTACTOR - POWER (ALL HEAT)
--	---
C1	CAPACITOR - FAN
C2	CAPACITOR - GEARMOTOR
F1	FUSEHOLDER/FUSES - 5A
F2	FAN MOTOR
GC	GEARMOTOR CONTROL - OCTAL
GM	GEARMOTOR
H1	POWER RELAY - TOP HEAT
H2	POWER RELAY - BOTTOM HEAT
H3	CONTACTOR - AIR HEAT
S1	RELAY - DPDT 24V COIL
S2	LIMIT SWITCH - COOK TEMP.
S3	LIMIT SWITCH - CONTROLS TEMP.
S4	SWITCH - BELT REVERSING
S5	SWITCH - MAIN
S6	SWITCH - DRAFT
TB	TERMINAL BLOCKS
T/C	THERMOCOUPLE (TYPE K)
XF	TRANSFORMER





- B2 COMPONENT IDENTIFICATION
 88 WIRE MARKER NUMBERS
 1 COMPONENT MARKING (OPTIONAL, REFERENCE)
 MAY BE DIFFERENT ON COMPONENT

P1	CONTACTOR - POWER (ALL HEAT)
-	-
C1	CAPACITOR - FAN
C2	CAPACITOR - GEARMOTOR
F1	FUSEHOLDER/FUSES - 5A
F2	FAN MOTOR
GC	GEARMOTOR CONTROL - OCTAL
GM	GEARMOTOR
H1	POWER RELAY - TOP HEAT
H2	POWER RELAY - BOTTOM HEAT
H3	CONTACTOR - AIR HEAT
S1	RELAY - DPDT 24V COIL
S2	LIMIT SWITCH - COOK TEMP.
S3	LIMIT SWITCH - CONTROLS TEMP.
S4	SWITCH - BELT REVERSING
S5	SWITCH - MAIN
S6	SWITCH - DRAFT
TB	TERMINAL BLOCKS
T/C	THERMOCOUPLE (TYPE K)
XF	TRANSFORMER

