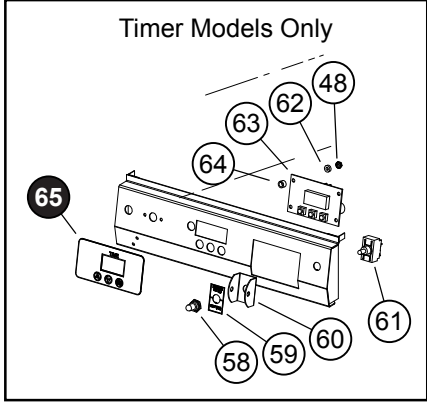
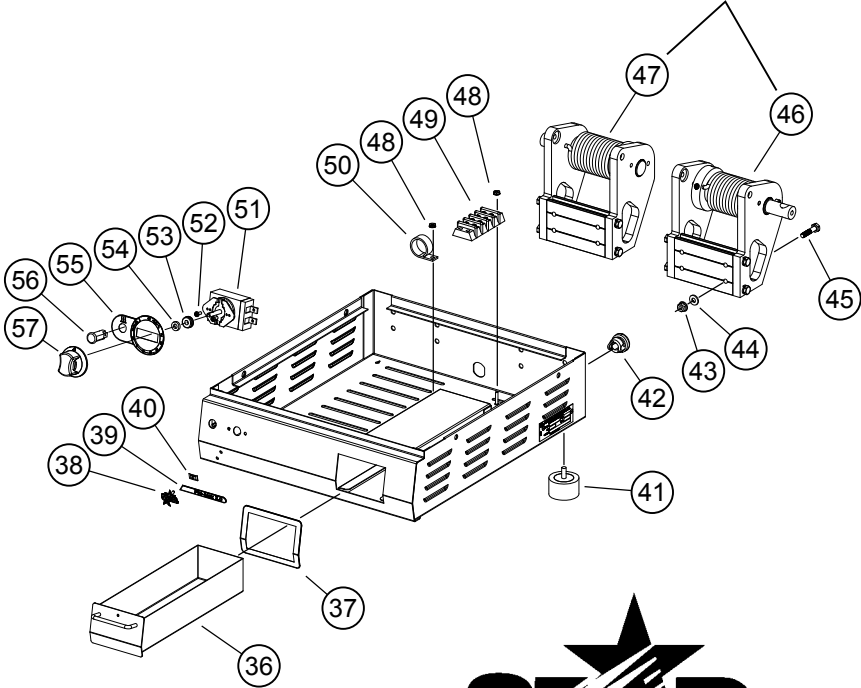
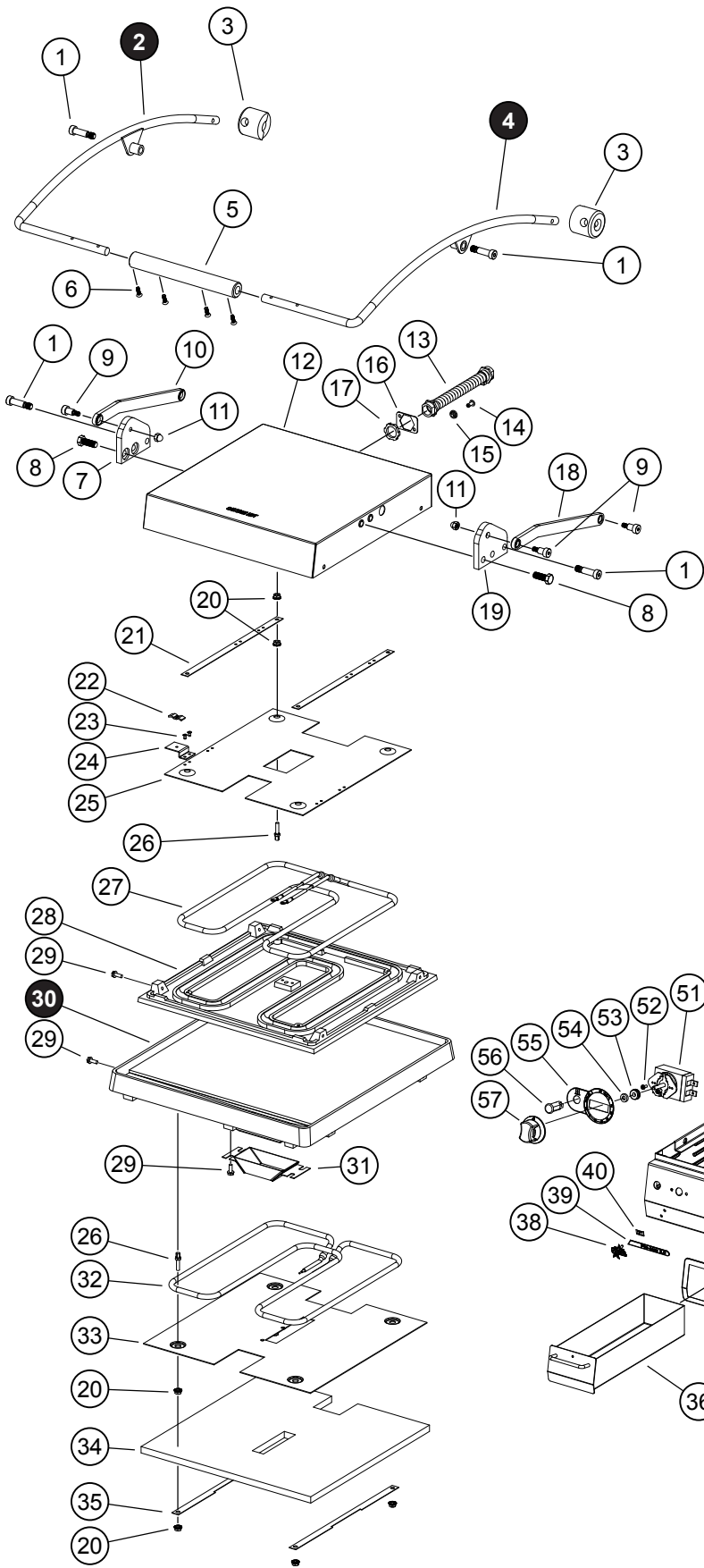


**PS-GR0759**  
**Arm Replacement Kit**  
**2 4 65**

**30 Bottom Plattens**  
 units manufactured before 9/2015 had machined plattens, when replacing them with casted plattens, hing assy & spring covers need replacing as well.



See Detail A or AB



# PARTS LIST

October 19, 2015, Rev. B

Model: PST14, PGT14, Thermostatically Controlled Sandwich Grill				
Fig No.	Part Number	Qty	Description	Application
1	2C-Z18300	2	SCR,SHLDR,SS,3/8 DIA.X1.0	
2	2B-Z18628	1	ARM ASSEMBLY, LEFT, 14"	
3	2A-Z18301	2	COLLAR AND STOP	
4	2B-Z18627	1	ARM ASSEMBLY, RIGHT, 14"	
5	2V-Z18303	1	HANDLE, 14	
6	2C-Z18749	4	SCREW,SS,10-32X625 PH FHD	
7	2V-Z18311	1	PLATE,LIFTING,RIGHT SIDE	
8	2C-37498	4	BOLT HEX 3/8-16 X 1 SS	
9	2C-Z18751	4	SCR,SHLDR,SS,3/8 DIA.X.50	
10	D9-GR0651	1	LINK AY., RIGHT	
11	2C-Z18752	4	LOCKNUT, ACORN,1/4-20,SS	
12	D9-GR0662	1	WELD AY.,TOP HOUSING, 14"	
13	2E-Z2898	1	CONDUIT ASSY. - PTFE	
14	2C-Z3917	2	RIVET, POP, .188 (AD66BS)	
15	2C-Z3780	2	RETAINER, CONDUIT	
16	2A-Z3827	1	PLATE,STAMPING - CONDUIT	
17	2E-Z3768	1	LOCKNUT, CONDUIT, 1/2 IN.	
18	D9-GR0650	1	LINK AY., LEFT	
19	2V-Z18468	1	PLATE, LIFTING, LEFT SIDE	
20	2C-Z2893	16	NUT 10-24 HEX STL ZP	
21	D9-Z13099	2	BRACKET, INSLUATION	
22	B9-04-WB-0046	1	CLAMP WIRE SUPPORT	
23	2C-Y1451	2	RIVET 1/8 x .337 MORISON	
24	D9-Z13012	1	WIRE MOUNT	
25	D9-Z2075	1	TOP ELEMENT/INS. PLATE/14	
26	2C-08-07-0285	4	SCREW 10-24X3/4X3/8 TYPE	
26	2C-08-07-0285	4	SCREW 10-24X3/4X3/8 TYPE	
27	PS-Z1980	1	ELEMENT KIT, 800W/120	120V
	PS-Z2021		ELEMENT KIT, 800W/240V	230V, 240V
	2N-Z2391		ELEMENT KIT 14" TOP 1800W	IRON: 230V, 240V
28	PS-GR0350	1	KIT 14" TOP CAST, SMOOTH-ALUM	PST14
	PS-GR0352		KIT CASTING, SM.TOP,IRON-14	PST14I
	PS-GR0351		KIT CASTING,GR.TOP,ALUM,-14	PGT14
	PS-GR0353		KIT CASTING,GR.TOP,IRON-14	PST14IGT, PST14ITGT
29	2C-Z5883	10	10-24 X 1/2 FZA SCREW	

PST14, PGT14 Pro-Max 2.0 Sandwich Grills

# PARTS LIST

October 19, 2015, Rev. B

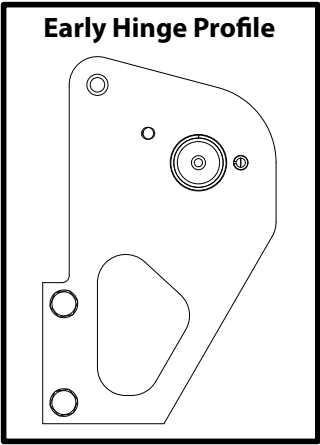
Model: PST14, PGT14, Thermostatically Controlled Sandwich Grill				
Fig No.	Part Number	Qty	Description	Application
30	2F-Z18137	1	CASTING,BTTM,SMOOTH,AL,14	PST14
	2F-Z19350 - NLA		BOT.CAST.SMOOTH 14 IRON, -MACHINED	PST14I
	2F-Z18667		CASTING,BTTM,SMOOTH,IR,14"-CASTING	
	2F-Z18138		CASTING,BTTM,GROOVE, AL,14	PGT14
	2F-Z19382 - NLA		BOT.CAST.GROOVED 14 IRON, -MACHINED	PGT14I
	2F-Z18668		CASTING,BTTM,GROOVE,IR,14 -CASTING	
31	D9-GR0648	1	ASSY, GREASE CHUTE	
32	2N-Z1981	1	ELEMENT,1000WATT 120V-14B	120V
	2N-Z2022		ELEMENT,1000WATT 240V-14B	230V, 240V
	2N-Z2392		ELEMENT,1800WATT 240V-14B	IRON: 230V, 240V
33	D9-Z13338	1	ELEM & INSUL PLT BTM 14"	
34	D9-Z2888	1	INSULATION - 14"	
35	D9-Z12885	2	INSULATION HOLD DOWN,	
36	D9-GR0652	1	WELD AY.,GREASE CUP,14	
37	2M-Z18443	1	OVERLAY,BEZEL,GREASE CUP	
38	2M-Z15305	1	STAR LOGO, SMALL	
39	2M-Z18452	1	LABEL, PRO-MAX	
40	2C-8477	2	CLIP .125 PO STL PHOS	
41	2R-Z18201	4	FOOT 1.69X1 SIL 1/4 20	
	2A-Z12946		FOOT, BASE NON-SKID	IRON
42	2K-Y2968	1	BUSHING - HEYCO 7W-2	120V
	2K-Y6764		BUSHING - STRAIN RELIEF	120C
43	2C-20301-20	8	NUT LOCK STOVER 1/4-20	
44	2C-1811	8	WASHER 1/4 BURR STL NP	
45	2C-41180	8	BOLT HEX 1/4-20X1 1/4	
46	D9-GR0667	1	AY.,RT HNGE,Z18288 SPRNG	
	D9-GR0727		AY.,RT HNGE,Z20196 SPRING	IRON
47	D9-GR0666	1	AY.,LFT HNGE,Z18289 SPRNG	
	D9-GR0726		AY.,LFT HNGE,Z20197 SPRNG	IRON
48	2C-Z2594	2	NUT 6-32 HEX STL NP W/LCK	
49	2E-Z2894	1	TERMINAL BLOCK (304)	
50	2C-Z19091	3	1.00 DIA. WIRE CLIP,NYLON	
51	2T-6447	1	THERMOSTAT 118V-236V	
52	2C-1488	2	SCREW 6-32X3/8 RHP STL NP	
53	2I-Z3379	1	T-STAT GROMMET	
54	2I-Z3380	1	THERMOSTAT SEAL WASHER	
55	2M-Z18453	1	LABEL, DIAL AND LIGHT	

PST14, PGT14 Pro-Max 2.0 Sandwich Grills

# PARTS LIST

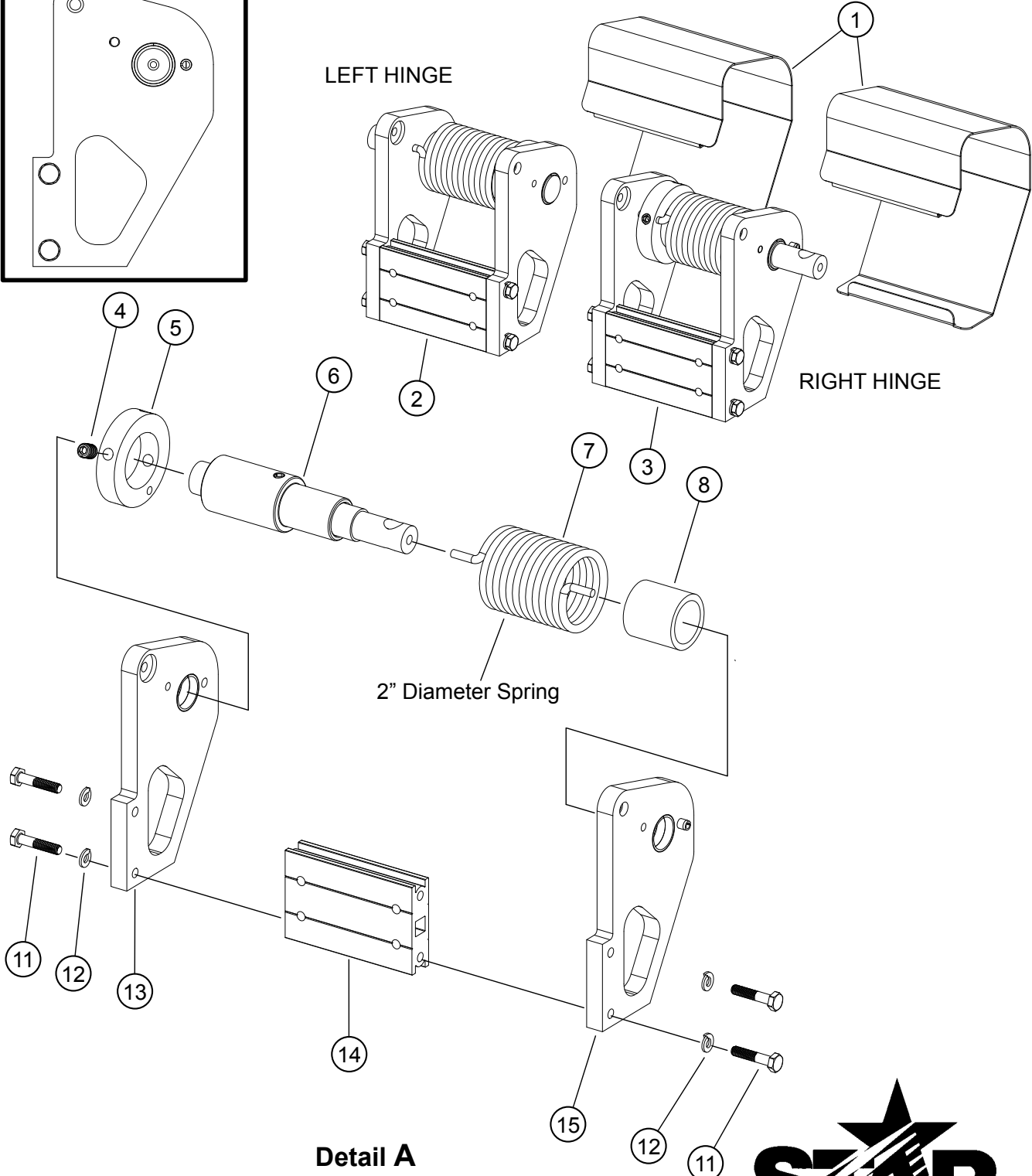
October 19, 2015, Rev. B

Model: PST14, PGT14, Thermostatically Controlled Sandwich Grill				
56	2J-Y6689	1	PILOT LIGHT 120V	120V
	2J-Z2329		PILOT LIGHT 250V RED NEON	230V, 240V
57	D9-GR0709	1	KNOB ASSEMBLY	
58	2I-05-07-0013	1	BOOT SWITCH	Timer Models
59	2M-Z18461	1	LABEL, POWER, ON AND OFF	Timer Models
60	Z1-70-07-0343	1	SWITCH GUARD	Timer Models
61	2E-Z3808	1	SWITCH -30A@120V	Timer Models
62	2K-08-07-0004	4	SPACER ROUND NYLON	Timer Models
63	2J-Z1836	1	TIMER CONTROL	Timer Models
64	2K-Z1971	4	SPACER .257X.75X.25 NYLON	Timer Models
65	2M-Z19089	1	OVERLAY, TIMER, 14" PST	Timer Models
NI	2E-Y9251	1	CORD SET CONT EUR 16AMP	230V
NI	2E-Z16940	1	CORDSET,14/3,SJTO,90,5-15	PST14TQ-120V
NI	2E-Z2935	1	CORD SJTO 14/3 NEMA 5-15P	120V
NI	2E-Z4119	1	POWER CORD, 12/3, 5-20P	120C
NI	2E-Z9253	1	INLET IEC 320 16 AMP	230V
NI	D9-Z20418	2	SPRING COVER, MACH CAST	
NI	2E-05-07-0351	1	TRANSFORMER 115/10V 6VA	120V Timer Models
	2E-05-07-0350		TRANSFORMER 230V/10A 6VA	230/240V Timer Models



LEFT HINGE

RIGHT HINGE



PST14, PGTI4 Pro-Max 2.0 Sandwich Grills

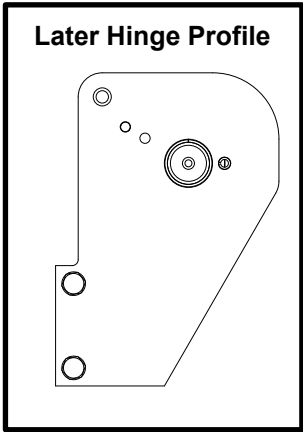
Model: Pro-Max 2.0 Sandwich Grill Hinge Assembly  
 Aluminum Platen

SK2907, Rev. A 10/19/15

# PARTS LIST

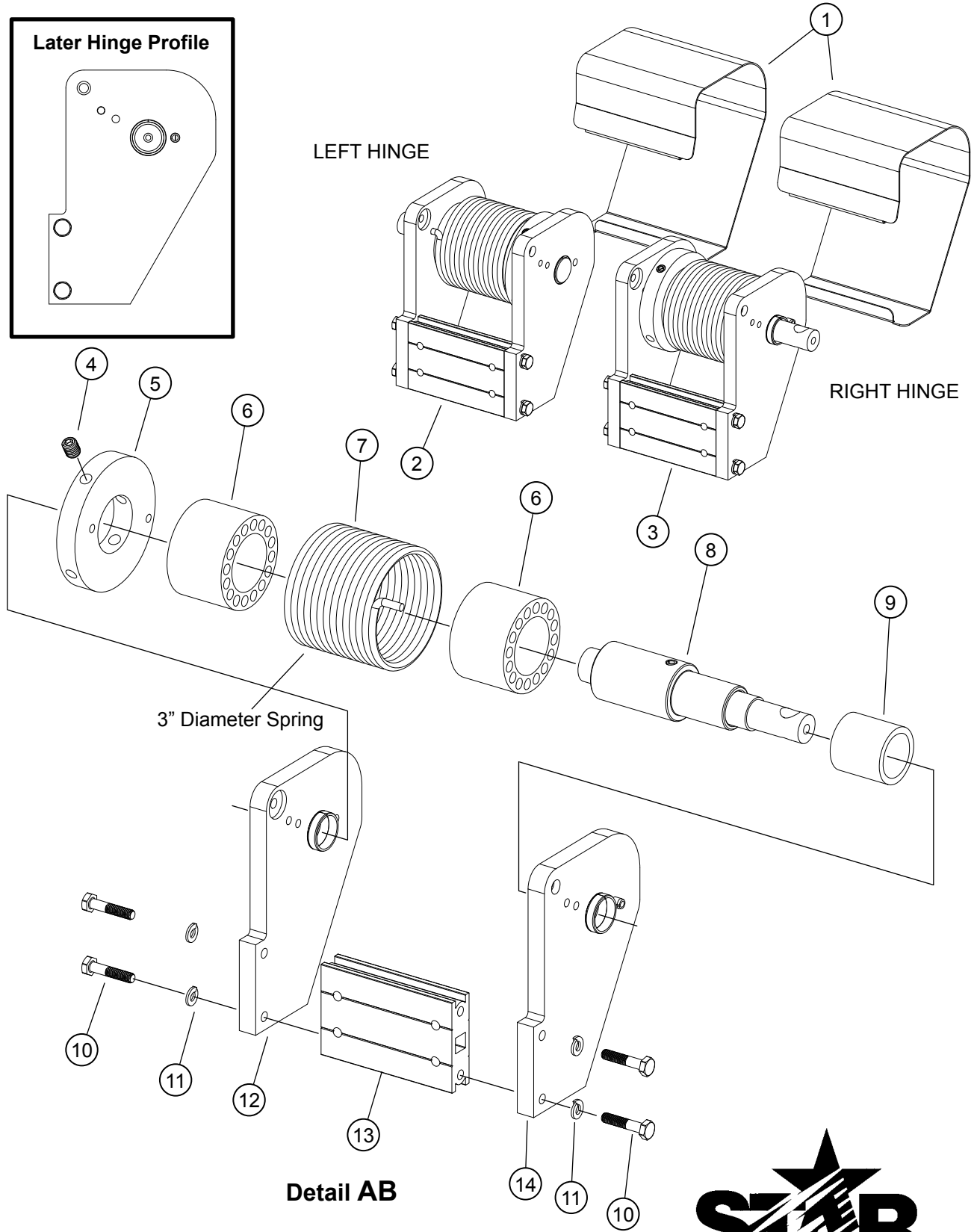
June 03, 2015, Rev. A

DETAIL A: HINGE ASSEMBLY w/ 2" Dia. Spring				
Fig No	Part Number	Quantity	Description	Application
1	D9-Z18735	2	SPRING COVER, ONE PIECE	
2	D9-GR0678	1	AY.,LFT HNGE,Z18291 SPRNG	LEFT SIDE
3	D9-GR0679	1	AY.,LFT HNGE,Z18290 SPRNG	RIGHT SIDE
4	2C-20105-20	1	SCRW SET 3/8-16X1/2 CUP	
5	2A-Z18327	1	COLLAR, SHAFT	
6	PS-Z18326	1	SHAFT,COMMON	
7	2P-Z18290	1	SPRNG,TORSION,SG14IRON,LH	LEFT SIDE
	2P-Z18291		SPRNG,TORSION,SG14IRON,RH	RIGHT SIDE
8	2K-Z18470	1	BUSHING, SPRING	
9	2C-41180	4	BOLT HEX 1/4-20X1 1/4	
10	2C-20204-02	4	WASHER SS 1/4 SPLIT LOCK	
11	PS-Z18469	1	PLATE ASSY, RIGHT SIDE	RIGHT SIDE HINGE
	PS-Z18469-1		PLATE ASSY, LEFT SIDE	LEFT SIDE HINGE
12	2I-Z18318	1	PLATE,REAR	
13	PS-Z18319	1	PLATE ASSY, RIGHT SIDE	RIGHT SIDE HINGE
	PS-Z18319-1		PLATE ASSY, LEFT SIDE	LEFT SIDE HINGE
NI	1L-Z12397	AR	TRIBOLUBE HIGH TEMP 1oz TUBE	



LEFT HINGE

RIGHT HINGE



**Detail AB**



PST14, PGTI4 Pro-Max 2.0 Sandwich Grills

Model: Pro-Max 2.0 Sandwich Grill Hinge Assembly  
*Iron Platten*

SK2907, Rev. A 10/19/15

# PARTS LIST

June 03, 2015, Rev. A

DETAIL A: HINGE ASSEMBLY w/ 3" Dia. Spring				
Fig No.	Part Number	Quantity	Description	Application
1	D9-Z20200	2	SPRING COVER, LARGE SPRING	
	D9-Z20418		SPRING COVER, MACH CAST	ONLY USED WITH OLD MACHINE CASTINGS 2F-Z19350 & 2F-19382
2	D9-GR0726	1	AY.,LT HNGE,Z20197 SPRING	RIGHT SIDE
3	D9-GR0727	1	AY.,RT HNGE,Z20196 SPRING	
4	2C-20105-20	1	SCRW SET 3/8-16X1/2 CUP	
5	2A-Z20195	1	COLLAR, SHAFT	
6	2K-Z20439	1	SPRING BUSHING, MACHINED	
	2K-Z20194	2	SPRING BUSHING, PLASTIC	
7	2P-Z20196	1	SPRNG,TORSION,SG14IRON,LH	LEFT SIDE HINGE
	2P-Z20197		SPRNG,TORSION,SG14IRON,RH	RIGHT SIDE HINGE
8	PS-Z18326	1	SHAFT ASSY, COMMON	
9	2K-Z18470	1	BUSHING, SPRING	
10	2C-41180	4	BOLT HEX 1/4-20X1 1/4	
11	2C-20204-02	4	WASHER SS 1/4 SPLIT LOCK	
12	PS-Z20199	1	PLATE ASSY, RIGHT SIDE	RIGHT SIDE HINGE
	PS-Z20199-1			LEFT SIDE HINGE
13	2I-Z18318	1	PLATE,REAR	
14	PS-Z20198	1	PLATE ASSY, LEFT SIDE	RIGHT SIDE HINGE
	PS-Z20198-1			LEFT SIDE HINGE
NI	1L-Z12397	AR	TRIBOLUBE HIGH TEMP 1oz TUBE	