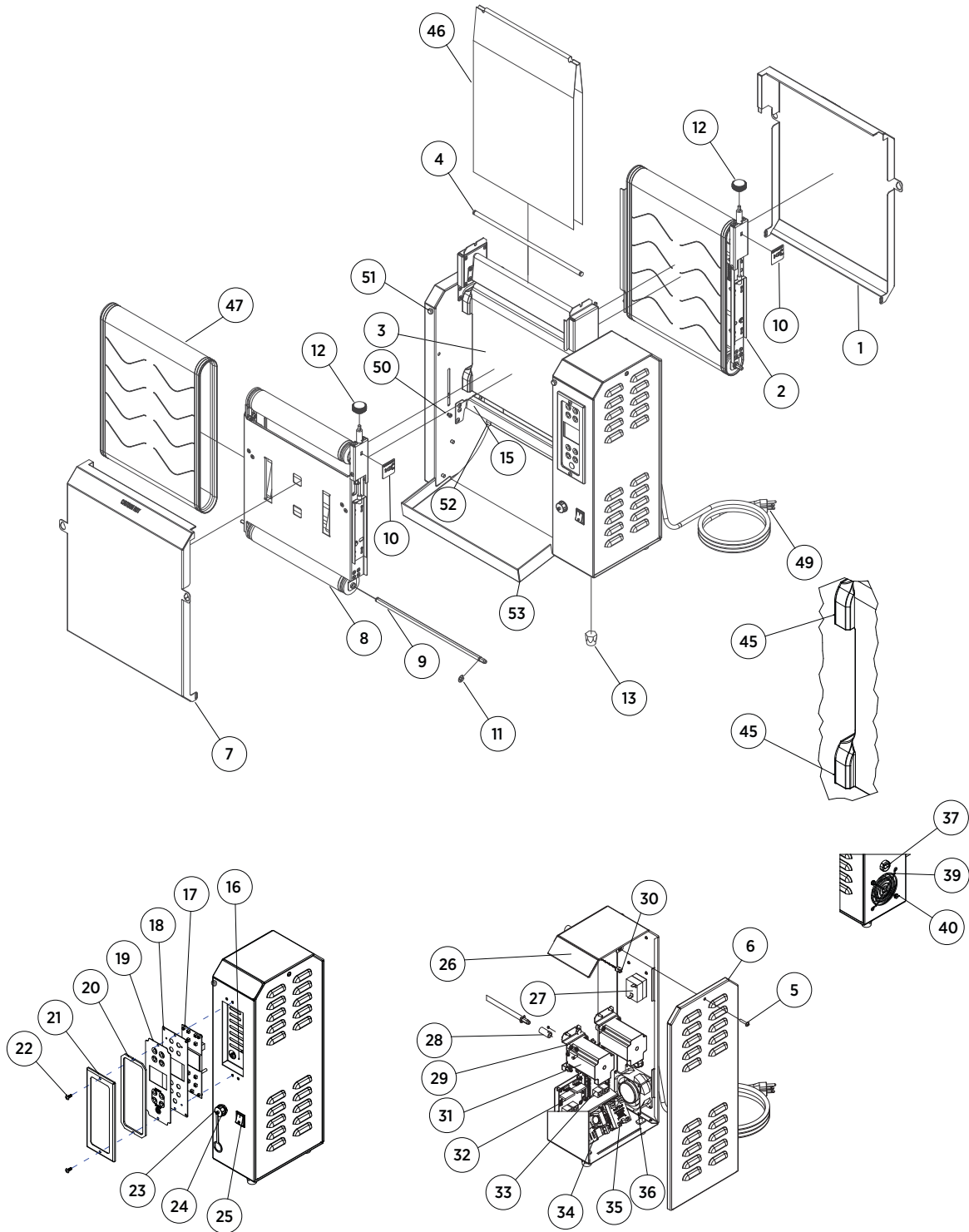


EXPLODED VIEW

ELECTRONIC [E] VERSION AND COMMON COMPONENTS



SCT4000E and SCT4000E-RR CONTROL LABEL REPLACEMENT

- i. Remove the two [2] screws holding the bezel on.
- ii. Lift off the bezel, gasket, and label.
- iii. Place new label, bezel, and gasket in place in the order displayed on the right.
- iv. Tighten down the two [2] screws that hold the bezel in place.

PARTS LIST

Critical parts listed with grey “REF NO” boxes.

REF NO	PART NUMBER	MODEL	DESCRIPTION	QTY	PAGE NO
1	HC-Z22512	ALL	conveyor cover, rear	1	8
2	HC-120437	ALL	rear conveyor assembly [INCLUDES PARTS 9–12, DOES NOT INCLUDE BELT]	1	8
3	2F-Z21590	ALL	platen	1	8
4	2V-Z21506	ALL	PTFE sheet bar	1	8
5	2C-35733	ALL	8-32 screw	2	8
6	HC-Z21437	ALL	side cover	2	8
7	HC-Z22511	ALL	conveyor cover, front	1	8
8	HC-120436	ALL	front conveyor assembly [INCLUDES PARTS 9–12, DOES NOT INCLUDE BELT]	1	8
9 ¹	2V-Z21574	ALL	conveyor drive rod	2	8
10 ¹	2M-Z22500	ALL	bun thickness label	2	8
11 ¹	2A-Z12583	ALL	0.375-inch e-clip	8	8
12 ¹	2R-Z22533	ALL	twist knob	2	8
13	2A-Z11501	ALL	foot	4	8
14	HC-Z22374	ALL	bun tray	1	8
15	HC-Z21515	ALL	lower crossbar	1	8
16	HC-Z21513	ALL	guard	1	8
17	2E-Z21591	SCT4000E	display board	1	8
	2E-Z22376	SCT4000E-RR			
18	HC-Z20995	ALL	control panel cover	1	8
19	2M-Z21066	ALL	control label overlay	1	8
20	2I-Z21052	ALL	control bezel gasket	1	8
21	HC-Z20994	ALL	control panel bezel	1	8
22	2C-41620	ALL	8-32 screw	22	8
23	2E-Z21011	ALL	USB cap	1	8
24	2E-Z21002	ALL	USB connector	1	8
25	2E-Z21127	ALL	rocker switch	1	8
26	2M-Z22069	ALL	name label	1	8
27	2E-Z21585	ALL	high limit thermostat	1	8
28	PS-120443	ALL	motor coupler w/set screw	2	8
29	HC-Z21524	ALL	motor mount	2	8
30	2E-Z22074	ALL	rtd probe	1	8
31	2E-Z21523	ALL	stepper motor	1	8
32	2E-Z22653	ALL	motor board	1	8
33	2E-Z21586	ALL	cpu board	1	8
34	2E-Z22619	ALL	AC/DC converter	1	8
35	2E-Z22494	ALL	high limit relay	1	8
36	2E-Z21003	ALL	cooling fan	1	8

¹These parts are also included in assemblies [HC-120436](#) and [HC-120437](#).

PARTS LIST

Critical parts listed with grey "REF NO" boxes.

REF NO	PART NUMBER	MODEL	DESCRIPTION	QTY	PAGE NO
37	2K-Y6764	ALL	strain relief bushing	1	8
38	HC-Z21524	ALL	motor mount	2	8
39	2R-Z18593	ALL	fan guard	1	8
40	2C-Z5883	ALL	10-24 self-tapping screw	2	8
44	2C-Z7165	ALL	8-32 keps nut	8	8
45	2H-Z21527	ALL	PTFE platen insulation	4	8
46	2I-Z21439	ALL	PTFE sheet	1	8
47	2I-Z21454	ALL	silicone belt	2	8
49	D6-FG0005	ALL	6-15p cordset	1	8
50	2C-Z21462	ALL	shoulder screw, 8-32	4	8
51	2V-Z22539	ALL	standoff, Blind	4	8
52	2C-Z21526	ALL	cap screw, 8-32	4	8
53	HC-Z22374	ALL	bun tray sct4000	1	8
OPTIONAL ACCESSORIES					
	9Y-SCTBWP	ALL	perforated butter wheel		
	9Y-SCTBWS	ALL	smooth butter wheel		
	9Y-SCTSHEET-B	ALL	pack of 10 replacement PTFE sheets for use with butter		