

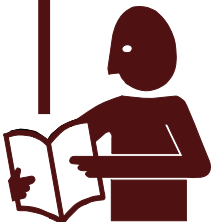
**WELLS MANUFACTURING**

265 Hobson Street, Smithville, Tennessee 37166

telephone: 314-678-6314

fax: 314-781-2714

www.wells-mfg.com

**OPERATION MANUAL  
HEAVY DUTY GAS HOTPLATE***Model HDHP3630G***MODELS  
HDHP1230G  
HDSU1230G  
HDHP2430G  
HDSU2430G  
HDHP3630G  
HDSU3630G****Includes  
INSTALLATION  
USE & CARE****FOR YOUR SAFETY****Do not store gasoline or other flammable liquids  
in the vicinity of this or any other appliance.****WARNING:****Improper installation, adjustment, alteration, service or maintenance can cause  
property damage, injury or death. Read the installation, operating and mainte-  
nance instructions thoroughly before installing or servicing this equipment.****IMPORTANT:****The purchaser of this equipment must post in a prominent location instructions to be followed in the  
event the user smells gas. This information shall be obtained by consulting the local gas supplier.****IMPORTANT: DO NOT DISCARD THIS MANUAL****This manual is considered to be part of the appliance and is to be given to the OWNER or  
MANAGER of the restaurant, or to the person responsible for TRAINING OPERATORS of  
this appliance. Additional manuals are available from your WELLS DEALER.****THIS MANUAL MUST BE READ AND UNDERSTOOD BY ALL PERSONS USING OR  
INSTALLING THIS APPLIANCE. Contact your WELLS DEALER if you have any  
questions concerning installation, operation or maintenance of this equipment.**

## LIMITED EQUIPMENT WARRANTY

Wells Manufacturing warranties new products to be free from defects in material and/or workmanship for a period of one [1] year from the date of original installation, except as noted below. Defects that occur as a result of normal use, within the time period and limitations defined in this warranty, will at Wells' discretion have the parts replaced or repaired by Wells or a Wells-authorized service agency.

### THIS WARRANTY IS SUBJECT TO ALL LISTED CONDITIONS.

Repairs performed under this warranty are to be performed by a Wells-authorized service agency. Wells will not be responsible for charges incurred or service performed by non-authorized repair agencies.

In all cases, the nearest Wells-authorized service agency must be used.

Wells will be responsible for normal labor charges incurred in the repair or replacement of a warrantied product within 50 miles (80.5 km) of an authorized service agency. Time and expense charges for anything beyond that distance will be the responsibility of the owner. All labor will need to be performed during regular service hours. Any overtime premium will be charged to the owner. For all shipments outside the U.S.A. and Canada, please see the International Warranty for specific details.

It is the responsibility of the owner to inspect and report any shipping damage claims, hidden or otherwise, promptly following delivery.

No mileage or travel charges will be honored on any equipment that is deemed portable. In general, equipment with a cord and plug weighing less than 50 lb. (22.7 kg) is considered portable and should be taken or shipped to the closest authorized service agency, transportation prepaid.

### CONTACT

Should you require any assistance regarding the operation or maintenance of any Wells equipment; write, phone, fax or email our service department. In all correspondence mention the model number and the serial number of your unit, as well as the voltage or type of gas you are using.

Business hours are 8:00 a.m. to 4:30 p.m. Central Standard Time  
 Telephone 314.678.6314  
 Fax 314.781.2714  
 Email customerservice@star-mfg.com  
 www.wells-mfg.com

## WARRANTY EXCLUSIONS

THE FOLLOWING WILL NOT BE COVERED UNDER WARRANTY.

- Any product which has not been installed, cleaned, maintained, or used in accordance with the directions published in the appropriate installation sheet and/or owner's manual as well as national and local codes, including incorrect gas or electrical connection. Wells is not liable for any unit which has been mishandled, abused, misapplied, subjected to chlorides, harsh chemicals, or caustic cleaners, damaged from exposure to hard water, modified by unauthorized personnel, damaged by flood, fire, or other acts of nature [or God], or which have an altered or missing serial number.
- Installation, labor, and job checkouts, calibration of heat controls, air and gas burner/bypass/pilot adjustments, gas or electrical system checks, voltage and phase conversions, cleaning of equipment, or seasoning of griddle surface.
- Replacement of fuses or resetting of circuit breakers, safety controls, or reset buttons.
- Replacement of broken or damaged glass components, quartz heating elements, and light bulbs.
- Labor charges for all removable parts in gas charbroilers and hotplates, including but not limited to burners, grates, and radiants.
- Any labor charges incurred by delays, waiting time, or operating restrictions that hinder a service technician's ability to perform service.
- Parts that fail or are damaged due to normal wear or labor for replacement of Items that can easily be replaced during a daily cleaning routine. such as but not limited to silicone belts, PTFE non-stick sheets, knobs, control labels, bulbs, fuses, quartz heating elements, baskets, racks, and grease drawers.
- Components that should be replaced when damaged or worn, but have been field-repaired instead [eg. field-welded fry pots].
- Any loss of business or profits.

### ADDITIONAL WARRANTIES

Specialty/chain specific versions may also have additional and/or extended warranties.

PRODUCTS	PARTS	LABOR
universal ventless hoods	2 years	1 year
canopy hoods	2 years	1 year
"Cook'n Hold" equipment [HW10, HWSMP, LLSC7, LLSC7WA, LLSC11, and LLSC11WA]	2 years	1 year
cast iron grates, burners, and burner shields	1 year	
original Wells parts sold to repair Wells equipment	90 days	
Service First	1 year	

## TABLE OF CONTENTS

<b>ENGLISH</b>	
WARRANTY	
SPECIFICATIONS	1
FEATURES & OPERATING CONTROLS	2
PRECAUTIONS & GENERAL INFORMATION	3
AGENCY LISTING INFORMATION	3
INSTALLATION	4
OPERATION	8
CLEANING INSTRUCTIONS	10
TROUBLESHOOTING SUGGESTIONS	12
PARTS & SERVICE	13
CUSTOMER SERVICE DATA	13
EXPLODED VIEW & PARTS LIST	15
<b>FRANÇAIS</b>	
DESCRIPTION ET AVERTISSEMENTS DE SÛRETÉ	16
SPÉCIFICATIONS	17
FONCTIONNALITÉS ET COMMANDES	18
PRÉCAUTIONS & RENSEIGNEMENTS D'ORDRE GÉNÉRAL	19
INFORMATIONS CONCERNANT LES AGENCES	19
INSTALLATION	20
FONCTIONNEMENT	24
INSTRUCTIONS POUR LE NETTOYAGE	26
CONSEILS POUR LE DÉPANNAGE	28

## INTRODUCTION

Thank You for purchasing this Wells Manufacturing appliance.

Proper installation, professional operation and consistent maintenance of this appliance will ensure that it gives you the very best performance and a long, economical service life.

This manual contains the information needed to properly install this appliance, and to use and care for the appliance in a manner which will ensure its optimum performance.

## SPECIFICATIONS

MODEL	STYLE	FUEL	MANIFOLD PRESSURE	Total B.T.U. per HOUR
<b>HDHP1230G HDSU1230G</b>	2 Burners w/ Individual Control	Natural Gas	5.0" W.C.	53,000
		Propane (LP)	10" W.C.	44,670
<b>HDHP2430G HDSU2430G</b>	4 Burners w/ Individual Control	Natural Gas	5.0" W.C.	106,000
		Propane (LP)	10" W.C.	89,330
<b>HDHP3630G HDSU3630G</b>	6 Burners w/ Individual Control	Natural Gas	5.0" W.C.	159,000
		Propane (LP)	10" W.C.	134,000

FEATURES & OPERATING CONTROLS

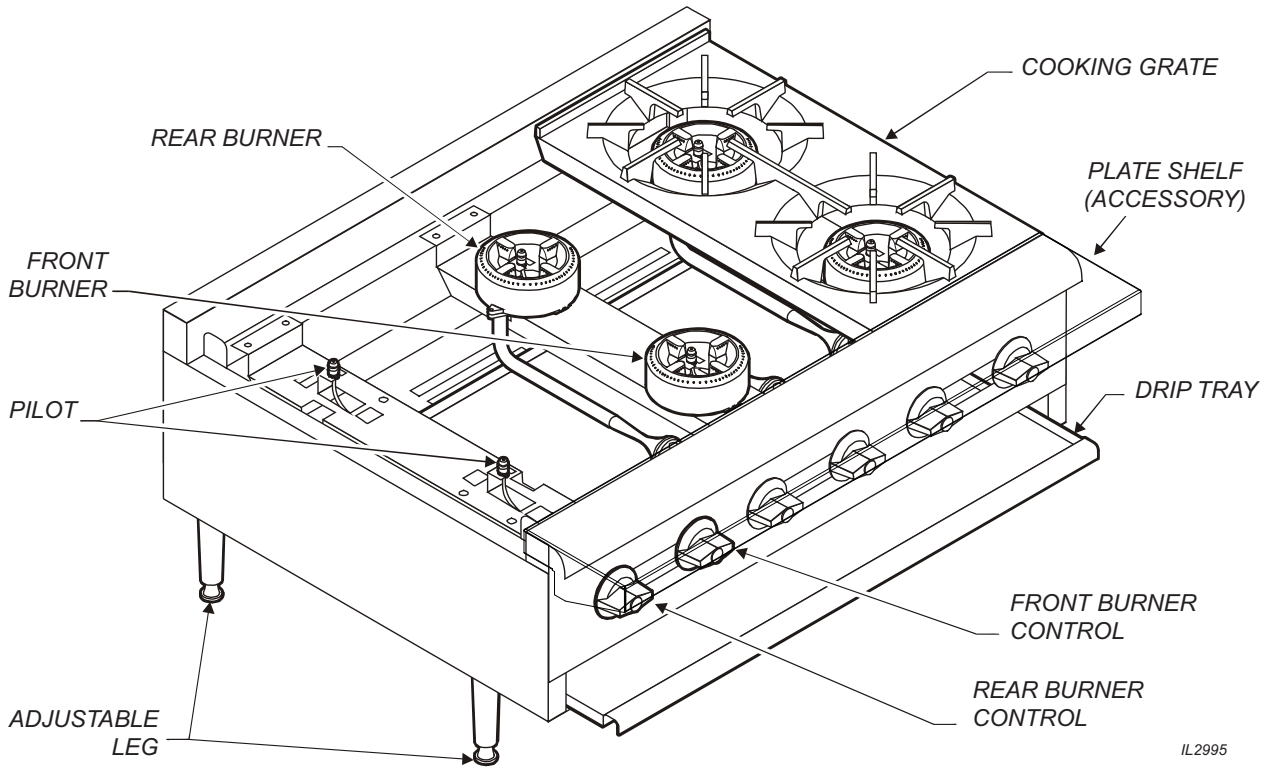


Fig. 1 Heavy Duty Hot Plate - Features & Operating Controls

## PRECAUTIONS AND GENERAL INFORMATION

This appliance is intended for use in commercial establishments only.

This appliance is intended to prepare food for human consumption. No other use is recommended or authorized by the manufacturer or its agents.

This appliance must be installed by a technician qualified and certified or licensed to install gas-fired equipment. A licensed technician must perform the initial start-up and adjustment of the appliance.

Operators of this appliance must be familiar with the appliance use, limitations and associated restrictions. Operating instructions must be read and understood by all persons using or installing this appliance.

Cleanliness of this appliance is essential to good sanitation. Read and follow all included cleaning instructions and schedules to ensure the safety of the food product.

DO NOT submerge appliance or burners in water. This appliance is not jet stream approved. DO NOT direct water jet or steam jet at this appliance, or at any control. DO NOT splash or pour water on, in or over any controls. DO NOT wash counter around this appliance with water jet. Burners which have become wet must be thoroughly dried before use.

Burner and grate surfaces will be very hot when in use. Contact will cause severe injury.

This appliance must be operated with the supplied 4" legs properly installed.

Do not operate this appliance if the smell of gas is present. Turn off all gas supply valves and move to a remote location to call your Authorized Wells Service Agent for service.

The technical content of this manual, including any parts breakdown illustrations and/or adjustment procedures, is intended for use by qualified technical personnel only.

Any procedure which requires the use of tools must be performed by a qualified technician.

This manual is considered to be a permanent part of the appliance. This manual and all supplied instructions, diagrams, schematics, parts breakdown illustrations, notices and labels must remain with the appliance if it is sold or moved to another location.



### WARNING: FIRE HAZARD

All servicing of the gas supply and combustion components of this appliance must be performed by a technician trained and certified in the maintenance of gas appliances. Improper servicing of gas equipment can result in fire and explosion.



### CAUTION: HOT SURFACE

Exposed surfaces can be hot to the touch and may cause burns.

## AGENCY LISTING INFORMATION

This appliance conforms to NSF Standard 4 for sanitation only if installed in accordance with the supplied *Installation Instructions* and maintained according to the instructions in this manual.

This appliance meets ANSI Z.83.11 specifications for gas-fired food service equipment.

This appliance is Canadian Standards Association design certified for gas operation



STD 4



## INSTALLATION

**NOTE:** DO NOT discard the carton or other packing materials until you have inspected the appliance for hidden damage and tested it for proper operation. Refer to *SHIPPING DAMAGE CLAIM PROCEDURE* on the inside front cover of this manual.



This appliance must be properly ventilated. Failure to provide and maintain proper ventilation of exhaust gasses can result in severe injury or death.



Do not store gasoline or any other flammable or combustible material near this appliance. The open flame can cause such materials to ignite.

The area where the hotplate is installed must be kept clear of combustibles and flammables. This includes mops, rags, grease, wrapping paper and electric cords.

**NOTICE:** Manufacturer's warranty on this hotplate is in effect only when the hotplate is installed in accordance with these instructions and local codes and ordinances or, in the absence of local codes, the National Fuel Gas Code, ANSI Z223.1 (current edition). The manufacturer of this hotplate assumes no liability for any damage or injury resulting from failure to comply with this notice.

## UNPACKING & INSPECTION

Carefully remove the appliance from the carton. Remove all protective plastic film, packing materials and accessories from the appliance before connecting performing any installation procedure.

Carefully read all instructions in this manual and the *Installation Instruction Sheet* packed with the appliance before starting any installation.

Read and understand all labels and diagrams attached to the appliance.

Carefully account for all components and accessories before discarding packing materials. Store all accessories in a convenient place for later use.

### COMPONENTS

Cooking Grate (-1230G, 1 ea.; -2430G, 2 ea.; -3630G, 3 ea.)  
 Front Burner (-1230G, 1 ea.; -2430G, 2 ea.; -3630G, 3 ea.)  
 Rear Burner (-1230G, 1 ea.; -2430G, 2 ea.; -3630G, 3 ea.)  
 Adjustable Legs (set of 4)  
 Drip Tray, 1 ea.

## SETUP

**This appliance is designed for use in non-combustible locations only. Setup the hotplate only on a firm, level, non-combustible surface.**

Verify local codes for requirements. Concrete, tile, terrazzo or metal surfaces are recommended. Metal or tile over combustible material may not meet code for non-combustible surfaces.

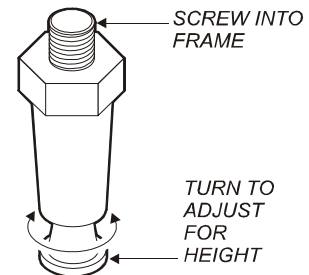
**Clearances to non-combustible surfaces must be maintained.** Maintain 0" from side and rear to non-combustible walls, and 4" from non-combustible counter as established by provided 4" legs.

### Maintain adequate clearances for cleaning and proper operation.

The hotplate must be installed in an area with sufficient make-up air for proper combustion, and must be installed such that the flow of combustion and ventilation air will not be obstructed.

For servicing, Wells Mfg. recommends 6" clearance from rear of the appliance to wall.

Install adjustable legs, one on each corner of the appliance, in the holes provided. Verify that the unit sits firmly **ON ALL FOUR LEGS**. With the adjustable legs, adjust as required to level the appliance. All four legs must be adjusted to firmly contact the floor in order to prevent tipping.



When used with an exhaust fan, special precautions must be observed to avoid interference with the operation of the hotplate, such as drafts and air starvation.

**GAS APPLIANCE CODE COMPLIANCE**

The installation of gas piping from the outlet side of the gas meter or service regulator to the hotplate must be performed by a technician qualified and certified or licensed to install gas-fired equipment.

A licensed and qualified technician must perform the initial startup and adjustment of this appliance.

The installation of this gas-fired appliance must conform to local codes, or in the absence of such codes, with the current edition of National Fuel Gas Code ANSI Z223.1.

For use in the State of Massachusetts, this appliance must be installed in compliance with **Massachusetts Fuel Gas and Plumbing Code CMR 248**.

The installation of this gas-fired appliance must comply with applicable portions of NFPA 96 for ventilation. The current edition of NFPA 96 (*Standard for the Installation of Equipment for the Removal of Smoke and Grease Laden Vapors from Commercial Cooking Equipment*) specifies ventilation requirements to ensure the removal of exhaust gasses and products of combustion.

**IT IS THE RESPONSIBILITY OF THE INSTALLER TO ENSURE THAT THIS GAS HOTPLATE INSTALLATION CONFORMS TO ALL APPLICABLE CODES AND ORDINANCES.**

The venting of this appliance must not be obstructed, nor may such venting interfere with the flow of combustion air required for proper operation of the gas burners.

Additionally:

1. The gas supply line used to connect the hotplate to the gas supply system must be black iron pipe, or other material as approved by local ordinance for gas piping.
2. Gas supply piping must be inside 3/4" diameter or greater.
3. Use pipe sealant made specifically for gas piping on all pipe joints. Apply sealant sparingly to the male threads only. Sealant must be resistant to the action of LP gas.
4. Verify that all supply piping is clean and free of obstructions, dirt, chips and pipe sealant compound prior to installation.
5. All pipe joints must be checked for leaks before lighting. Leak checks should be performed with a soap and water solution. **NEVER CHECK FOR LEAKS WITH AN OPEN FLAME.**



**DANGER:  
FIRE AND  
EXPLOSION  
HAZARD**

NEVER use an open flame to check for gas leaks. Fire and explosion may result.



**WARNING:  
RISK OF INJURY**

Installation procedures must be performed by a qualified technician with full knowledge of all applicable gas-fired appliance codes. Failure can result in personal injury and property damage.

**IMPORTANT:**

All pipe joints must be checked for leaks before lighting. Leak checks should be performed with a soap and water solution.

**IMPORTANT:**

Information on the construction and installation of ventilating hoods may be obtained from the current edition of NFPA 96 *Standard for the Installation of Equipment for the Removal of Smoke and Grease Laden Vapors from Commercial Cooking Equipment*. Copies of this standard are available from the Nation Fire Protection Assn.:

NFPA  
1 Batterymarch Park  
P.O. Box 9101  
Quincy, MA 02269-9101

**INSTALLATION (continued)**



**DANGER:  
FIRE AND  
EXPLOSION  
HAZARD**

NEVER use an open flame to check for gas leaks. Fire and explosion may result.

**IMPORTANT:**

All pipe joints must be checked for leaks before lighting. Leak checks should be performed with a soap and water solution.



**WARNING:  
FIRE HAZARD**

This hotplate is supplied with a gas pressure regulator. Failure to properly install the supplied regulator will result in an extremely hazardous condition.

Flow arrow stamped on body of regulator must point toward the hotplate.

Vent hole must point UP.

**IMPORTANT:**

Verify fuel gas type. If the available fuel does not match the nameplate specification, exchange the hotplate for the correct type.

**IMPORTANT:**

The appliance and its individual manual shutoff valve must be disconnected from supply system piping during any pressure testing of that system at pressures in excess of 1/2 p.s.i. (3.5 kPa).

Also, the appliance must be isolated from the gas supply piping system by closing its individual manual shutoff valve during any pressure testing of the gas supply piping at test pressures equal to or less than 1/2 p.s.i. (3.5 kPa).

**INSTALLING THE HOTPLATE**

Refer to the nameplate. Verify the fuel type and pressure, which must match the nameplate specifications. Connecting the hotplate to the wrong fuel type and/or pressure will compromise the safety and/or performance of the appliance.

The hotplate must be placed in its final operational position and leveled front-to-back and side-to-side, with a spirit level, prior to beginning the gas piping installation. Re-check the level of the unit at the conclusion of the gas piping installation.

Each gas hotplate is supplied with a separate gas pressure regulator, which must be installed on the manifold pipe protruding from the rear of the hotplate. Ensure that the regulator is installed such that the flow arrow stamped on the body of the regulator points toward the hotplate. Failure to properly install the supplied regulator will result in an extremely hazardous condition.

A moisture trap (drip leg) consisting of a tee, 4" nipple pointing down, and cap must be installed upstream of the gas pressure regulator.

A manual gas shut-off valve may be required by local codes and is, in any case, strongly recommended. The shut-off valve must be installed between the gas supply piping and the gas pressure regulator.

*It is the responsibility of the gas piping installer to identify the code requirement for a shut-off valve.*

Shut-off valves, moisture trap and all associated piping must be supplied by the gas piping installer.

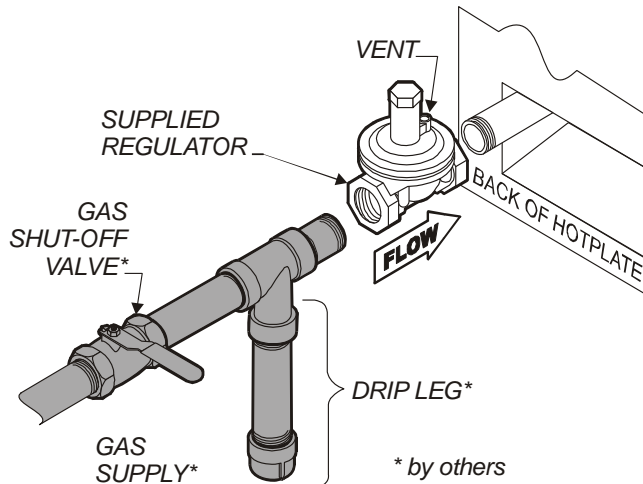


Fig. 2 Gas Supply Piping



**SET GAS PRESSURE:**

Gas pressure regulator is factory set.

**SET PILOT FLAME:**

The pilot adjustments are located between the control valves for each set of burners. The right valve controls the front pilot; the left valve controls the rear pilot.

Using a small, flat-blade screwdriver, turn the screw clockwise to decrease the flame size, or counter-clockwise to increase the flame size.

Adjust the pilot flame to 1/4" high. Test for operation: inside and outside sections of the burner must light without undue delay. Drafty conditions may require a higher flame to allow the pilot to remain lit.

**IMPORTANT:**

Adjustments must be performed by a qualified technician only.

**IMPORTANT:**

This hotplate is shipped from the factory equipped for either: natural gas and adjusted for sea level to 2000 feet elevation; or, propane (LP) gas and adjusted for sea level to 5000 feet elevation.

For operation other than listed above, contact your Authorized Wells Service Agency.

**ADJUST BURNER FLAME:**

Remove all burner control knobs, then remove the front panel.

Turn an individual burner on. The right knob controls the front burner; the left knob controls the rear burner.

Loosen the locking screw on the shutter.

Turn the shutter to admit more or less air as required. Adjust the air shutter until the flame is mostly blue in color.

Tighten the locking screw when finished. Replace the front panel and all knobs before returning the unit to service.

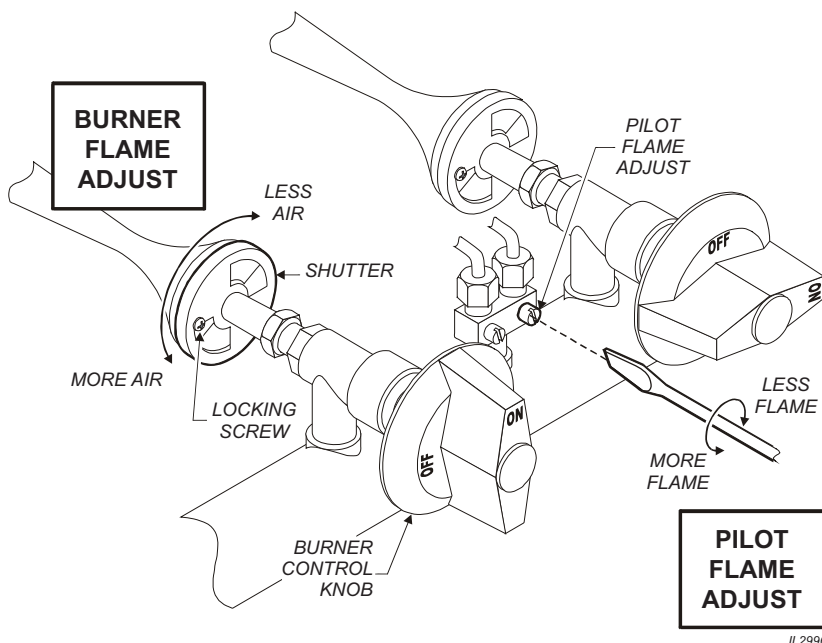


Fig. 3 Adjustments

IL2996

**OPERATION**

**WARNING:  
FIRE HAZARD**

**IF YOU SMELL GAS:**

- ❑ DO NOT try to light any appliance.
- ❑ DO NOT touch any electrical switch
- ❑ DO NOT use any telephone in your building.

In the event a gas odor is detected, shut down the unit at the main gas shutoff valve and contact your local gas supplier from a neighboring location.

Follow the instructions received from the gas supplier immediately and exactly.

**GENERAL OPERATIONAL NOTES**

Carefully read the description of the hotplate operation on the specification sheet.

Do NOT use this appliance if it has been submerged in water. Call a qualified technician to examine the appliance and to service or replace any component which has been submerged. Burners which have been allowed to become wet must be thoroughly dried before use.

For initial startup, and any time the gas supply has been shut-off, it may take several minutes to light the pilot while air in the piping and manifolds is purged.

The burner control knobs must be turned by hand only. Never use tools to turn the control knob. If the knob will not turn by hand, do NOT attempt to force or repair it. Contact your Authorized Wells Service Agency for repairs. Forced or improperly repaired valves pose the risk of fire and/or explosion.

Make sure burners, pilot burner and grate assembly are properly installed before attempting to operate.

**LIGHTING THE PILOT LIGHT**

Before lighting the pilot light, smell all around the appliance area for gas. Be sure to smell near floor level because some gas is heavier than air and will settle to the floor.

For initial startup, and any time the gas supply has been shut-off, it may take several minutes to light the pilot while air in the piping and manifolds is purged.

The pilot light must be lighted by hand:

Turn both control knobs to the full OFF position.

Be sure the gas shut-off valve is ON and the appliance has had time for the air to be purged from the lines.

Light the pilot with a long match or fireplace lighter. Use of a cigarette lighter is NOT recommended.

**SHUT DOWN INSTRUCTIONS**

Turn all burner knobs to *OFF*.

Turn all pilots *OFF*.

Turn the main gas supply *OFF*.

**OPERATION**

Inspect the unit for cleanliness before use. Clean as necessary: See *Cleaning Instructions*, page 11.

Be sure the pilot light is lit before operation. See *Lighting the Pilot Light*, page 8.

The burner control knobs must be turned by hand only. Never use tools to turn the control knob.

The control used in this gas hotplate provides a continuous range of settings from OFF to ON.

The right knob controls the front burner

The left knob controls the rear burner

Light the burner by turning the control knob to the ON position until fire forms completely around the inner and outer sections of the burner.

Set the control knob to the desired position. The setting can be readjusted at any time.

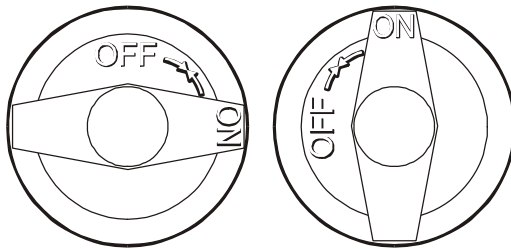


Fig. 4 Burner Control

**Cooking Recommendations:**

Save energy by turning the temperature control knob OFF any time the hotplate is not in use. Gas burners provide full heat instantly, making it unnecessary to leave the unit on during intermittent use.

**WARNING:  
FIRE HAZARD**

NEVER attempt to force or repair a stuck control valve.

Contact your Authorized Wells Service Agency for repairs.

Forced or improperly repaired valves pose the risk of fire and/or explosion.

**WARNING:  
FIRE AND  
EXPLOSION  
HAZARD**

If the pilot light should be extinguished, turn off the gas shut-off valve and remove the grate and drip pan. Allow the appliance to vent for five minutes before attempting to re-light.

**CAUTION:  
HOT SURFACE**

Exposed surfaces can be hot to the touch and may cause burns.

**CLEANING INSTRUCTIONS****WARNING:  
FIRE HAZARD**

Shut off the gas supply valve before cleaning.

**CAUTION:  
BURN HAZARD**

Allow hotplate to cool completely before cleaning.

**IMPORTANT:** DO NOT spill or pour water into controls,

DO NOT submerge hotplate cabinet in water. Damage to internal components will occur.

Damage to internal components from water damage is NOT covered by warranty.

DO NOT steel wool or metal scouring pads to clean cabinet, drip tray or crumb tray.

Good sanitation is vital to the quality of the final food product. Be sure to clean in all corners and crevices where grease and other cooking debris can accumulate.

**PREPARATION**

Turn gas shut-off valve OFF before cleaning.  
Allow hotplate to cool completely before cleaning.

**FREQUENCY**

Daily

**TOOLS**

Bristle Brush  
Clean Cloth or Sponge  
Mild Detergent  
Cleaner Formulated for Stainless Steel  
Warm Water

**CLEANING**

Turn gas shut-off valve OFF before cleaning.  
Allow hotplate to cool completely before cleaning.

Remove grate(s) and drip tray by lifting from cabinet.

Note position of front and rear burner assemblies in cabinet. Remove burner assemblies.

Clean food particles from grate drip tray with warm water, mild detergent and a bristle brush. Rinse with clean water. Wipe dry with a soft clean cloth.

Examine burner assemblies. Note position of air shutters before cleaning. Clean food particles from burners with warm water, mild detergent and a bristle brush. Rinse by wiping with a soft cloth dampened with clean water. Wipe exterior surfaces dry with a soft clean cloth. Allow burners to air dry so that interior passages are completely free of water.

Wipe the outer portions of the hotplate cabinet with a clean soft cloth or sponge dampened with warm water and a mild detergent or cleaner formulated for cleaning stainless steel. DO NOT use steel wool to clean hotplate cabinet. Rinse by wiping hotplate cabinet with a clean soft cloth or sponge moistened with clean warm water. Dry cabinet by wiping with a clean soft dry cloth.

Examine burners to be sure the air shutters are in their proper position. Reinstall burner assemblies in cabinet (see fig. 5, page 11):

Burner with short venturi tube is the front burner. The venturi / air shutter slides over the nozzle of the right control valve. The pegs on the bottom of the burner set in corresponding notches at the front of the burner support bracket.

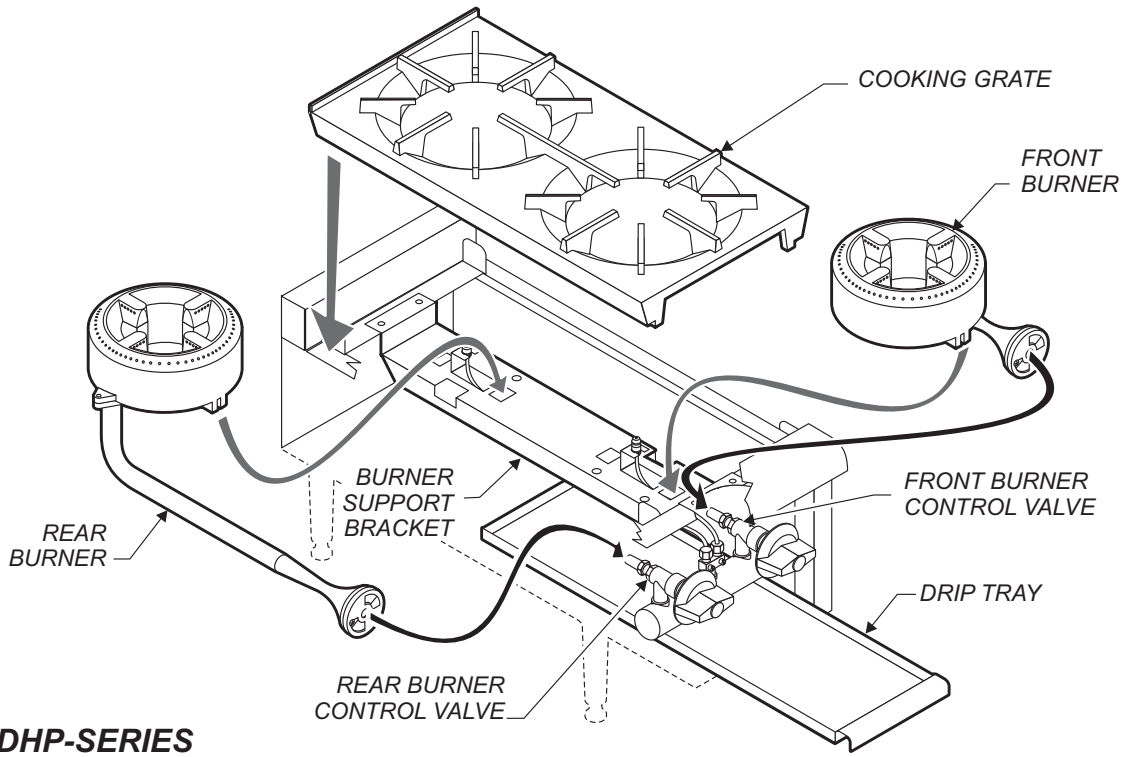
Burner with long venturi tube is the rear burner. The venturi / air shutter slides over the nozzle of the left control valve. The pegs on the bottom of the burner set in corresponding notches at the rear of the burner support bracket.

Turn shut-off valve ON and light pilot light.

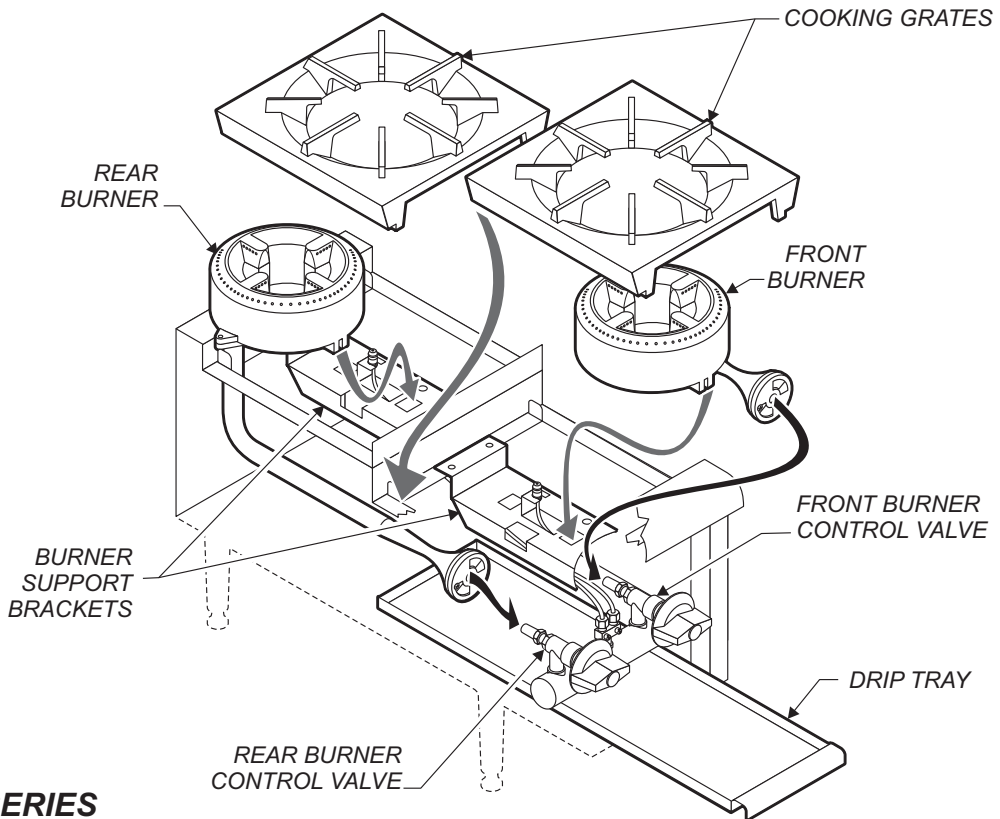
Reinstall drip tray and grate.

Procedure is complete.

**CLEANING INSTRUCTIONS (continued)**



**HDHP-SERIES**



**HDSU-SERIES**

**Fig. 5 Hotplate Assembly**

**TROUBLESHOOTING**

SYMPTOM	POSSIBLE CAUSE	SUGGESTED REMEDY
Pilot will not light	Gas supply off	Check main / unit gas valves
	Air in lines	Turn pilot valve on. Attempt to light pilot every 15 sec.
	Pilot valve not on	Turn pilot valve on / adjust
Burners won't light	Gas supply off	Check main / unit gas valves
	Air in lines	Turn gas valve on. Attempt to light pilot every 15 sec.
	Pilot valve not lit	Turn off gas - allow unit to vent for 5 minutes. Turn gas back on and light pilot
Front or rear burner won't light	Control not on	Turn temperature control to ON Set to desired setting when lit
	Water in burner	Remove burner and dry thoroughly
	Damaged temperature control, Burner or other internal component	Contact Authorized Wells Service Agency for repairs
Burner not hot enough	Temperature control not set	Adjust for desired temperature
	Shutter or nozzle out of adjustment	Contact qualified technician for adjustment
	Damaged temperature control, burner or other internal component	Contact Authorized Wells Service Agency for repairs

**NOTE:** There are no user serviceable components in the burner assemblies or in the control valves. In all cases of damage or malfunction, contact your Authorized Wells Service Agency for repairs.

**DESCRIPTION**

**PART NO.**

LEGS, ADJUSTABLE 4" METAL (SET of 4)

5D-20563

36" PLATE SHELF

I7-WL0768

**IMPORTANT: Use only factory authorized service parts and replacement filters.**

For factory authorized service, or to order factory authorized replacement parts, contact your Wells authorized service agency, or call:

**Wells Manufacturing**  
265 Hobson Street  
Smithville, Tennessee 37166

Service Parts Dept.  
phone: (888) 356-5362  
fax: (314) 781-2714

Service Parts Department can supply you with the name and telephone number of the **WELLS AUTHORIZED SERVICE AGENCY** nearest you.

**CUSTOMER SERVICE DATA**

please have this information available if calling for service

RESTAURANT \_\_\_\_\_ LOCATION \_\_\_\_\_  
 INSTALLATION DATE \_\_\_\_\_ TECHNICIAN \_\_\_\_\_  
 SERVICE COMPANY \_\_\_\_\_  
 ADDRESS \_\_\_\_\_ STATE \_\_\_\_\_ ZIP \_\_\_\_\_  
 TELEPHONE NUMBER (\_\_\_\_) \_\_\_\_\_ - \_\_\_\_\_

EQUIPMENT MODEL NO. \_\_\_\_\_  
 EQUIPMENT SERIAL NO. \_\_\_\_\_

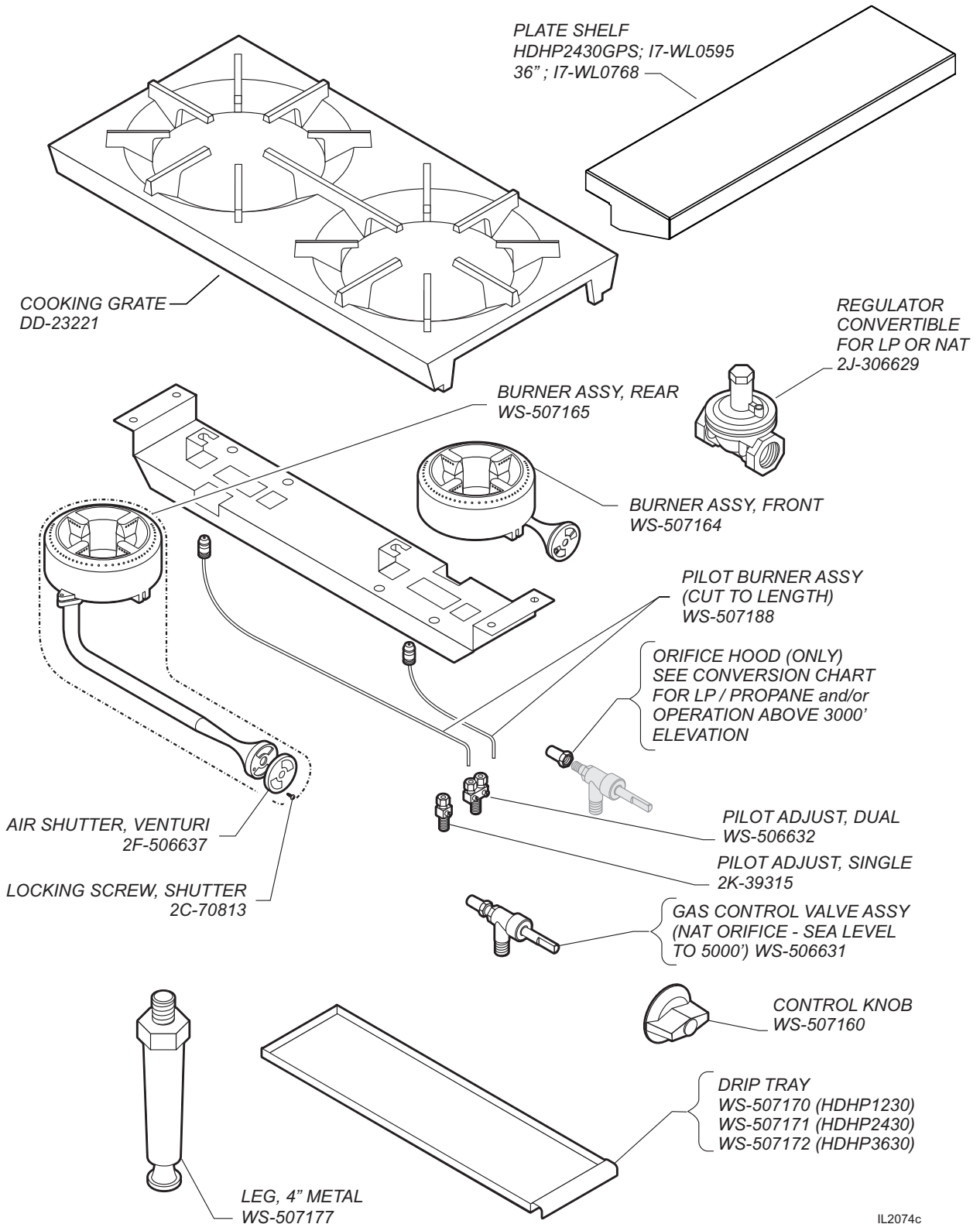
FUEL (check one)  NATURAL GAS  PROPANE / LP

NOTES



**EXPLODED VIEW & PARTS LIST**

**ENGLISH**



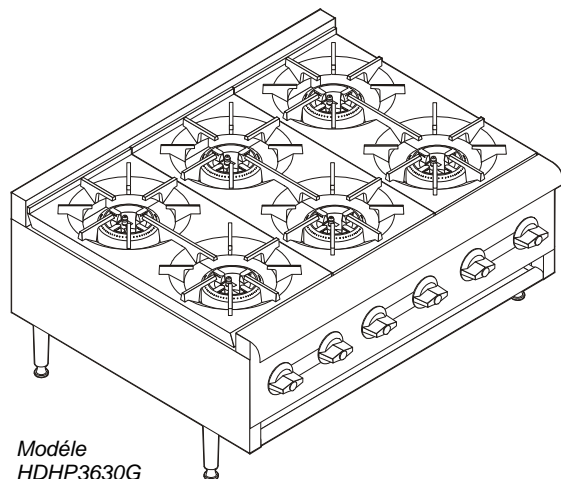
HDHP-SERIES HEAVY DUTY HOTPLATE

IL2074c

226 306627 OpManual for HDHP-Series Hot Plates

## MANUEL DE L'UTILISATEUR

### DE LA PLAQUE CHAUFFANTE PROFESSIONNELLE AU GAZ WELLS



**MODÈLES**  
HDHP1230G, HDSU1230G  
HDHP2430G, HDSU2430G  
HDHP3630G, HDSU3630G

**Comprend :**  
**INSTALLATION,**  
**MODE D'EMPLOI & ENTRETIEN**

#### **POUR VOTRE SÉCURITÉ**

Ne pas stocker d'essence ou d'autres liquides inflammables au voisinage de cet appareil ou autres appareils ménagers.

#### **AVERTISSEMENT !**

L'installation, le réglage, les modifications, l'entretien ou la maintenance effectués de manière incorrecte peuvent entraîner des dommages matériels, corporels ou même la mort. Lire attentivement les instructions relatives à l'installation, au fonctionnement, à l'entretien et à la maintenance avant d'installer ou de réparer l'équipement.

#### **IMPORTANT :**

L'acquéreur de ce matériel doit afficher, en pleine vue du public, les instructions à suivre en cas de détection d'une odeur de gaz par l'utilisateur. Cette information doit être obtenue après consultation de la société locale distributrice du gaz.

#### **IMPORTANT : NE PAS JETER CE GUIDE**

Ce guide fait partie de l'appareil et doit être remis au propriétaire, au directeur du restaurant ou à la personne responsable de la formation des utilisateurs de l'appareil. Des guides supplémentaires sont disponibles chez votre distributeur Wells.

Ce guide doit être lu et compris par toutes personnes installant ou utilisant cet appareil.

Contactez votre distributeur Wells pour toutes questions au sujet de l'installation, du fonctionnement ou de l'entretien de cet appareil.

## TABLE DES MATIÈRES

### FRANÇAIS

DESCRIPTION ET AVERTISSEMENTS DE SÛRETÉ	14
SPÉCIFICATIONS	15
FONCTIONNALITÉS ET COMMANDES	16
PRÉCAUTIONS & RENSEIGNEMENTS D'ORDRE GÉNÉRAL	17
INFORMATIONS CONCERNANT LES AGENCES	17
INSTALLATION	18
FONCTIONNEMENT	22
INSTRUCTIONS POUR LE NETTOYAGE	24
CONSEILS POUR LE DÉPANNAGE	26

## INTRODUCTION

Merci d'avoir acquis cet appareil Wells Manufacturing. L'installation correcte, le fonctionnement professionnel et l'entretien régulier de cet appareil assureront ses meilleures performances et sa longue durée de service aux meilleurs coûts. Le présent manuel contient l'information nécessaire pour installer correctement l'appareil et pour l'utiliser et l'entretenir de manière à ce qu'il fonctionne avec des performances optimales.

## SPÉCIFICATIONS

MODÈLE	STYLE	COMBUSTIBLE	PRESSION DU COLLECTEUR	CONSOMMATION D'ÉNERGIE TOTALE (BTU) par heure
<b>HDHP1230G</b> <b>HDSU1230G</b>	2 brûleurs avec commandes individuelles	Gaz naturel	5.0" W.C.	53,000
		Propane*	10" W.C.	43,000
<b>HDHP2430G</b> <b>HDSU2430G</b>	4 brûleurs avec commandes individuelles	Gaz naturel	5.0" W.C.	106,000
		Propane*	10" W.C.	86,000
<b>HDHP3630G</b> <b>HDSU3630G</b>	6 brûleurs avec commandes individuelles	Gaz naturel	5.0" W.C.	159,000
		Propane*	10" W.C.	129,000

\*Propane (gaz de pétrole liquide--GPL)

## FONCTIONNALITÉS ET COMMANDES

FRANÇAIS

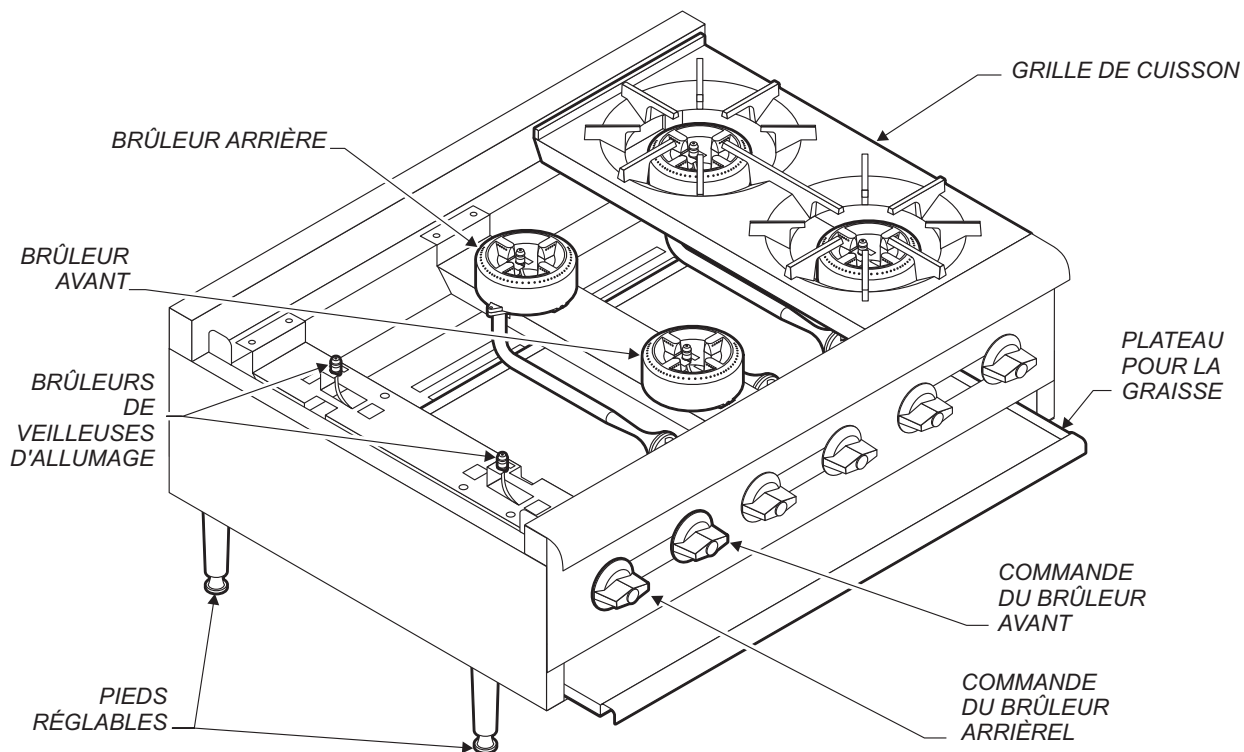


Fig. 6 Fonctionnalités et Commandes de la Plaque Chauffante Professionnelle à Gaz

## PRÉCAUTIONS & RENSEIGNEMENTS D'ORDRE GÉNÉRAL

Cet appareil est prévu exclusivement à l'usage des établissements commerciaux.

Cet appareil est destiné à la cuisson d'aliments pour la consommation humaine. Aucun autre usage n'est recommandé ni autorisé par le fabricant ou ses agents.

Cet appareil doit être installé par un technicien qualifié ou et certifié ou agréé pour l'installation des équipements fonctionnant au gaz. Un technicien qualifié et agréé doit assurer la mise en service et le réglage initiaux de l'appareil.

Les utilisateurs de l'appareil doivent être familiarisés avec l'utilisation de l'appareil, ses limites et ses restrictions associées. Le mode d'emploi doit être lu et compris par toutes les personnes installant ou utilisant cet appareil.

La propreté de cet appareil est essentielle à de bonnes conditions sanitaires. Lire et suivre toutes les instructions relatives au nettoyage et aux programmes visant à assurer l'innocuité des produits alimentaires.

NE PAS submerger l'appareil ou les brûleurs dans l'eau. Cet appareil n'est pas approuvé pour supporter les jets d'eau. NE PAS orienter de jet d'eau ou de vapeur directement sur cet appareil ou de ses commandes. NE PAS éclabousser ni verser d'eau sur, dans ou par dessus les commandes. NE PAS laver le comptoir entourant l'appareil avec un jet d'eau. Les brûleurs mouillés doivent être complètement séchés avant usage.

Les surfaces de cuisson deviennent très chaudes pendant l'usage. Leur contact provoquera des brûlures graves.

Cet appareil doit être utilisé avec ses pieds de 10 cm (4 po.) de haut correctement installés.

Ne pas utiliser cet appareil en présence d'une odeur de gaz. Fermer tous les robinets à gaz et se rendre dans un lieu éloigné pour appeler un technicien d'entretien agréé par Wells.

La partie technique du présent manuel, y compris tous les schémas éclatés illustrant les pièces et/ou les procédures de réglage, est destinée exclusivement à l'usage de techniciens qualifiés.

Toute procédure exigeant l'emploi d'outils doit être accomplie par un technicien qualifié.

Le présent manuel est considéré être une pièce permanente de l'appareil. Ce manuel et toutes les instructions, schémas, illustrations de pièces éclatées, notices et étiquettes fournis doivent demeurer avec l'appareil si ce dernier est revendu ou déménagé dans un autre local.



### AVERTISSEMENT! DANGER D'INCENDIE

Toutes les opérations d'entretien et de réparation des composants servant à l'alimentation et à la combustion du gaz dans cet appareil doivent être effectuées par un technicien qualifié et agréé pour la maintenance des appareils à gaz. L'entretien incorrect des appareils à gaz peut entraîner des incendies et des explosions.



### ATTENTION: SURFACE CHAUDE

Les surfaces exposées peuvent être chaudes au toucher et peuvent occasionner des brûlures.

FRANÇAIS

## INFORMATIONS CONCERNANT LES AGENCES

Cet appareil n'est conforme à la Norme 4 de la fondation nationale de normalisation sanitaire des États-Unis (*National Sanitation Foundation-NSF*) que s'il est installé conformément aux *Instructions relatives à l'installation* fournies avec l'appareil et si ce dernier est entretenu selon les instructions du présent manuel.

Cet appareil est conforme aux spécifications ANSI Z.83.11 pour les appareils à gaz utilisés dans les établissements préparant des aliments.

Cet appareil est d'une conception certifiée pour le fonctionnement au gaz par l'Association canadienne de normalisation (ACN/CSA).



Norme 4



## L'INSTALLATION

REMARQUE : NE PAS jeter le carton ni les autres matériaux d'emballage jusqu'à ce que l'appareil ait été inspecté pour la détection de vices cachés et ait subi des tests de fonctionnement satisfaisants. Consulter la *PROCÉDURE DE RÉCLAMATION EN CAS DE DOMMAGES DUS AU TRANSPORT* imprimée sur la face interne de la première page de couverture du présent manuel.



**DANGER:**  
Danger pour la santé

Cet appareil doit être situé dans un local correctement aéré. Le défaut d'assurance et de maintien d'une aération convenable avec mise à l'évent des gaz de combustion peut entraîner des dommages corporels graves ou même la mort.



**AVERTISSEMENT :**  
Danger d'incendie  
Ne pas stocker

d'essence ou d'autres matériaux combustibles ou inflammables à proximité de cet appareil. Toute flamme nue peut provoquer l'inflammation de ces matériaux. La zone où le grill est installé doit être dépourvue de tout matériau combustible ou inflammable. Ceux-ci comprennent, notamment, les serpillères, les lavettes ou les chiffons, la graisse, le papier d'emballage et les cordons d'alimentation électriques.

**NOTICE :** La garantie du fabricant concernant cet appareil entre en vigueur exclusivement si l'appareil est installé conformément aux présentes instructions, aux dispositions de la réglementation et des codes locaux, ou en l'absence de codes, de la norme ANSI Z223.1 (édition en vigueur) du code national relatif au gaz combustible (*National Fuel Gas Code*). Le fabricant de ce grill décline toute responsabilité en cas de dommages corporels ou matériels résultant du défaut d'application des dispositions de la présente notice.

## DÉBALLAGE & INSPECTION

Sortir l'appareil du carton avec précaution. Enlever tous les films de protection en plastique, les matériaux d'emballage et les accessoires de l'appareil avant d'entamer toute procédure d'installation et de connexion.

Lire attentivement toutes les instructions du présent manuel et de la *Notice—Instructions relatives à l'installation*, incluse avec l'appareil, avant de commencer l'installation.

Lire et assimiler la signification de toutes les étiquettes et schémas fixés sur l'appareil.

Vérifier que tous les composants et accessoires sont présents avant de jeter les matériaux d'emballage. Ranger tous les accessoires dans un lieu convenable pour les utiliser plus tard.

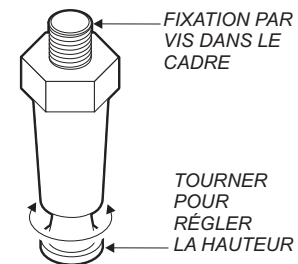
## COMPOSANTS

- Grille de cuisson (-1230G, 1 pièce; -2430G, 2 pièce; -3630G, 3 pièce)
- Brûleur avant (-1230G, 1 pièce; -2430G, 2 pièce; -3630G, 3 pièce)
- Brûleur arrière (-1230G, 1 pièce; -2430G, 2 pièce; -3630G, 3 pièce)
- Pieds réglables, (jeu de 4)
- Plateau pour la graisse, 1 pour chaque

## INSTALLATION

Installer l'appareil uniquement sur une surface solide, horizontale et non combustible. Vérifier les conditions imposées par les codes locaux. Les surfaces en ciment, en carreaux de céramique ou de marbre, ou en métal sont recommandées. Le métal ou les carreaux de céramique posés sur des matériaux combustibles peuvent être incompatibles avec les dispositions du code imposant des surfaces non combustibles.

Installer les pieds fournis avec l'appareil, un pied à chaque coin de l'appareil, dans les trous préparés. Vérifier que l'unité est stable et repose bien SUR LES QUATRE PIEDS. Les pieds étant réglables, les ajuster selon les besoins pour que l'appareil soit horizontal. Les quatre pieds doivent être ajustés pour faire solidement contact avec le comptoir afin d'éviter tout basculement.



Ménager des dégagements adéquats dans l'armoire pour les orifices d'aération. Consulter la *Notice—Instructions relatives à l'installation*, pour obtenir les dimensions de dégagement obligatoires. Conserver les distances de dégagement nécessaires entre l'appareil et les surfaces combustibles adjacentes.

L'appareil doit être installé dans un lieu où l'air est suffisamment renouvelé pour assurer une combustion correcte et de telle manière que le courant de l'air de combustion et d'aération ne soit pas obstrué .

Lorsqu'on utilise l'appareil avec un ventilateur d'extraction, il faut prendre des précautions spéciales pour éviter toute interférence avec le fonctionnement de l'appareil, tels que courants d'air et privation d'air .

### CONFORMITÉ AU CODE RELATIF AUX APPAREILS À GAZ

L'installation des tuyauteries du gaz entre le côté sortie du compteur à gaz ou du régulateur de l'alimentation publique et l'appareil doit être effectuée par un technicien qualifié et certifié ou agréé pour l'installation des appareils à gaz.

Un technicien qualifié et agréé doit assurer la mise en service et le réglage initiaux de l'appareil.

L'installation de cet appareil à gaz doit être conforme aux codes locaux, ou en l'absence de codes, à l'édition en vigueur de la norme ANSI Z223.1 du Code national applicable au gaz combustible (*National Fuel Gas Code—NFGC*).

Pour l'usage dans l'Etat de Massachusetts, cet appareil doit être installé en conformité avec le **Massachusetts Fuel Gas and Plumbing Code CMR 248**.

L'installation de cet appareil à gaz doit être conforme aux parties applicables de la norme NFPA 96 relatives à l'aération. L'édition courante de la norme NFPA 96 précise les conditions obligatoires à remplir pour l'extraction des gaz et des produits de combustion.

**L'INSTALLATEUR EST RESPONSABLE D'ASSURER QUE L'INSTALLATION DE CE GRILL À GAZ SOIT CONFORME À TOUS LES CODES ET À TOUTE RÉGLEMENTATION APPLICABLES.**

La mise à l'évent de cet appareil ne doit pas être obstruée, et cette mise à l'évent ne doit en aucun cas interférer avec le courant de l'air de combustion exigé pour le fonctionnement correct des brûleurs à gaz.

En outre :

1. La ligne d'alimentation de gaz utilisée pour raccorder le grill au système d'alimentation de gaz doit être un tuyau en acier non revêtu (fer noir) ou autre matériau approuvé par la réglementation locale applicable aux tuyauteries de gaz.
2. La tuyauterie du gaz doit avoir un diamètre intérieur égal ou supérieur à ¾ po. (1,9 cm).
3. Utiliser un mastic pour l'étanchéité des raccords de tuyauterie, spécial pour les tuyauteries à gaz, sur tous les raccords de tuyauterie. Appliquer le mastic en petite quantité uniquement sur les filetages mâles.  
Le mastic doit être résistant à l'action du gaz GPL.
4. Vérifier que toute la tuyauterie d'alimentation de gaz est propre et épourvue de toute obstruction, saleté, débris et particules de mastic d'étanchéité avant l'installation .
5. Tous les raccords de tuyauterie doivent être inspectés pour la détection de fuites éventuelles avant l'allumage. Détecter les fuites avec une solution d'eau savonneuse. **NE JAMAIS DÉTECTER DE FUITES AVEC UNE FLAMME NUE .**



**DANGER :  
DANGER  
D'INCENDIE ET  
D'EXPLOSION**

NE JAMAIS utiliser de flamme nue pour détecter des fuites de gaz. Un incendie et une explosion pourrait se produire.



**AVERTISSEMENT :  
DANGER DE DOM-  
MAGE CORPOREL**

Les procédures d'installation doivent être accomplies par un technicien qualifié ayant pleine connaissance des dispositions des codes en vigueur relatives aux appareils à gaz. À défaut, des dommages corporels et matériels peuvent survenir.

**IMPORTANT :** Tous les raccords de tuyauterie doivent être inspectés pour la détection de fuites éventuelles avant l'allumage. Détecter les fuites avec une solution d'eau savonneuse.

**IMPORTANT :** L'information relative à la construction et l'installation des hottes d'aération doit être obtenue dans l'édition en vigueur de la norme NFPA 96 *Standard for the Installation of Equipment for the Removal of Smoke and Grease Laden vapors from Commercial Cooking Equipment. (Norme relative à l'installation d'équipements destinés à l'extraction des fumées et des vapeurs chargées de graisse générées par les appareils de cuisson commerciaux.)* Des exemplaires de cette norme sont disponibles auprès de l'Association nationale pour la protection contre les incendies (*National Fire Protection Association—NFPA*)  
NFPA  
1 Batterymarch Park  
P.O. Box 9101  
Quincy, MA 02269-9101

## L'INSTALLATION (a continué)



### **DANGER : DANGER D'INCENDIE ET D'EXPLOSION**

NE JAMAIS utiliser de flamme nue pour détecter des fuites de gaz. Un incendie et une explosion pourrait se produire.

#### **IMPORTANT :**

Tous les raccords de tuyauterie doivent être inspectés pour la détection de fuites éventuelles avant l'allumage. Détecter les fuites avec une solution d'eau savonneuse .



### **AVERTISSEMENT : DANGER D'INCENDIE**

Cet appareil à gaz est vendu avec un régulateur de pression. Le défaut d'installation correcte du régulateur de pression crée une situation extrêmement dangereuse. La flèche gravée sur le corps du régulateur doit pointer vers le grill. Le trou d'aération doit pointer vers le HAUT.

#### **IMPORTANT :**

Vérifier la nature du gaz combustible. Si le combustible disponible ne correspond pas aux spécifications de la plaque signalétique, échanger l'appareil contre un autre, de type correct.

### **INSTALLATION DU GRILL À GAZ**

Consulter la plaque signalétique. Vérifier la nature et la pression du combustible, qui doivent correspondre aux spécifications indiquées sur la plaque signalétique. Le raccordement de l'appareil à une alimentation en combustible incorrecte ou sous pression incorrecte compromettrait la sécurité et/ou les performances de l'appareil.

VÉRIFIER QUE LES DISTANCES DE DÉGAGEMENT OBLIGATOIRES PAR RAPPORT AUX SURFACES COMBUSTIBLES SONT RESPECTÉES.

L'appareil doit être mis en place dans sa position de fonctionnement définitive et mis à niveau horizontalement (l'arrière par rapport au devant, un côté par rapport à l'autre) à l'aide d'un niveau à bulle, avant de commencer l'installation de la tuyauterie du gaz.

Vérifier de nouveau le niveau horizontal de l'unité après l'installation de la tuyauterie du gaz.

Chaque appareil à gaz est vendu avec un régulateur de pression séparé, qui doit être installé sur le tuyau du collecteur dépassant à l'arrière de l'appareil. Vérifier que le régulateur est installé de manière à ce que la flèche indiquant le débit, gravée sur le corps du régulateur, pointe vers le grill. Le défaut d'installation correcte du régulateur de pression crée une situation extrêmement dangereuse.

Un purgeur de condensat (collecteur de condensat) comportant un Té, un mamelon de 4 po. (10 cm) pointant vers le bas et un capuchon doit être installé en amont du régulateur de pression de gaz .

Un robinet d'arrêt de gaz manuel peut être exigé par les codes locaux et son installation est fortement recommandée dans tous les cas. Le robinet d'arrêt doit être installé entre la tuyauterie d'alimentation de gaz et le régulateur de pression .

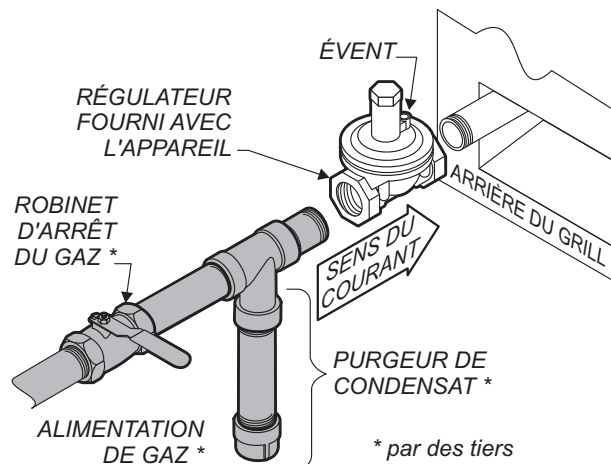


Fig. 7 Tuyauterie d'alimentation du gaz

L'installateur de la tuyauterie du gaz est responsable d'identifier les dispositions obligatoires du code relatives aux robinets d'arrêt de gaz .

Les robinets d'arrêt, le purgeur de condensat et toute la tuyauterie associée doivent être fournis par l'installateur de la tuyauterie du gaz.



### RÉGLAGE DE PRESSION DU GAZ :

Le régulateur de pression du gaz est réglé en usine .

### RÉGLAGE DE LA VEILLEUSE D'ALLUMAGE :

Les réglages de veilleuse sont situés entre les robinets de commande de chacun des jeux de brûleurs.

Le robinet de droite commande la veilleuse avant et le robinet de gauche la veilleuse arrière.

À l'aide d'un petit tournevis plat, tourner la vis dans le sens horaire pour diminuer la hauteur de la flamme ou dans le sens inverse au sens horaire pour augmenter la hauteur de la flamme.

Régler la flamme de la veilleuse à 0,64 cm (1/4 po.) de hauteur. Essai de fonctionnement : toutes les sections de brûleur doivent s'allumer sans délai. Dans les lieux à courants d'air, une flamme plus haute peut être nécessaire pour que la veilleuse reste allumée.

### RÉGLAGE DE LA FLAMME DE BRÛLEUR :

Enlever tous les boutons de commande des brûleurs puis enlever le panneau avant.

Allumer l'un des brûleurs.

Desserrer la vis de blocage sur le volet.

Tourner le volet pour admettre plus ou moins d'air, le cas échéant. Régler le volet d'aération jusqu'à ce que la flamme soit principalement bleue.

Serrer la vis de blocage quand l'opération est terminée. Remettre le panneau avant et tous les boutons en place avant de remettre l'unité en service .

### IMPORTANT :

L'appareil et son robinet d'arrêt manuel individuel doivent être déconnectés de la tuyauterie du système d'alimentation pendant les essais de pression de ce système dépassant 1/2 p.s.i. (3,5 kPa).

Il faut également isoler l'appareil du système d'alimentation de gaz en fermant son robinet d'arrêt manuel individuel pendant tous les essais de tuyauterie lorsque les pressions d'essai de la tuyauterie sont égales ou inférieures à 1/2 p.s.i. (3,5 kPa).

### IMPORTANT:

Les réglages doivent être exécutés exclusivement par un technicien qualifié.

### IMPORTANT:

L'appareil à gaz est expédié de l'usine tout équipé pour le gaz naturel et réglé pour fonctionner à une altitude comprise entre le niveau de la mer et 660 mètres (2 000 pieds). Pour convertir l'appareil au gaz de pétrole liquide (LP) ou au propane, ou pour fonctionner à une altitude de plus de 660 mètres (2 000 pieds), veuillez contacter votre distributeur agréé Wells.

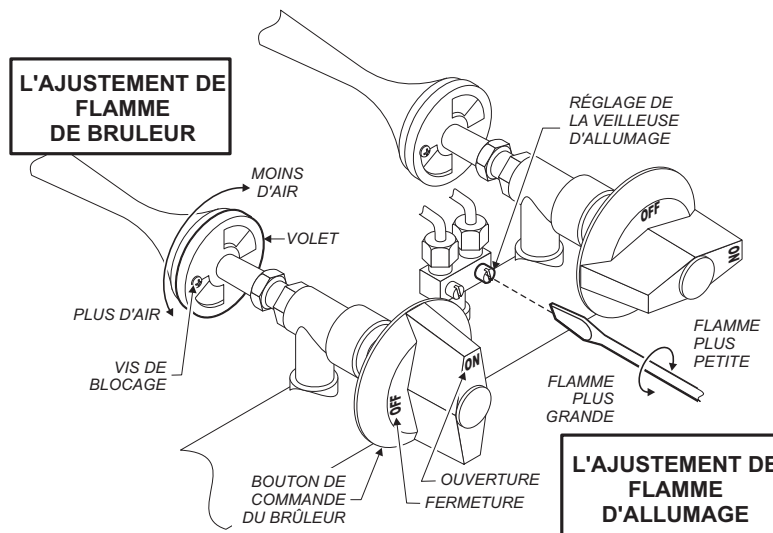


Fig. 8 Réglages

## FONCTIONNEMENT



### AVERTISSEMENT: DANGER D'INCENDIE

#### SI VOUS SENTEZ LE GAZ:

- ❑ NE PAS tenter d'allumer l'appareil.
- ❑ NE toucher à AUCUN bouton électrique.
- ❑ NE PAS utiliser le téléphone situé dans le bâtiment.

Si l'on détecte une odeur de gaz, mettre l'unité à l'arrêt en fermant le robinet d'arrêt principal du gaz et contacter la société responsable de l'alimentation en gaz à partir d'un poste téléphonique du voisinage.

Suivre immédiatement et exactement les instructions fournies par la société distributrice du gaz .

### COMMENTAIRES D'ORDRE GÉNÉRAL SUR LE FONCTIONNEMENT

Lire attentivement la description du fonctionnement du grill sur la notice de spécifications.

NE PAS utiliser l'appareil s'il a été immergé dans l'eau. Appeler un technicien qualifié pour examiner l'appareil et le réparer ou remplacer tout composant ayant été submergé. Les brûleurs qui ont pu être mouillés doivent être complètement séchés avant usage.

Pour la mise en route initiale, et chaque fois que l'alimentation de gaz a été coupée, il pourra falloir plusieurs minutes pour allumer la veilleuse pendant que l'air est purgé de la tuyauterie et des collecteurs.

Les boutons de commande des brûleurs ne doivent être tournés qu'à la main. Ne jamais utiliser d'outil pour tourner les boutons. Si un bouton ne tourne pas à la main, NE PAS essayer de le forcer ni de le réparer. Pour toute réparation, contacter le distributeur agréé Wells. Les boutons ou robinets forcés ou mal réparés posent un risque d'incendie et/ou d'explosion.

S'assurer que les brûleurs, le brûleur de la veilleuse et le plateau à graisse sont correctement installés avant d'essayer la mise en marche.

### ALLUMAGE DE LA VEILLEUSE

Avant d'allumer la veilleuse, sentir l'atmosphère autour de l'appareil pour détecter toute trace de gaz. Ne pas oublier de sentir près du sol parce que le gaz est plus lourd que l'air et s'accumulerait au niveau du sol.

Pour la mise en route initiale, et chaque fois que l'alimentation de gaz a été coupée, il pourra falloir plusieurs minutes pour allumer la flamme de la veilleuse pendant que l'air est purgé de la tuyauterie et des collecteurs.

La flamme de la veilleuse doit être allumée à la main :

Tourner tous les boutons de commande jusqu'à la positions OFF (FERMETURE).

La veilleuse est adjacente à l'un des pieds de brûleur et est accessible à travers l'ouverture du panneau avant .

S'assurer que le robinet d'arrêt du gaz est sur ON (OUVERTURE) et que l'air a eu le temps d'être purgé des lignes de gaz. Essayer d'allumer la flamme de la veilleuse toutes les 15 secondes après avoir ouvert le robinet d'arrêt du gaz .

Allumer la veilleuse avec une longue allumette ou un briquet pour feu de cheminée. NE PAS utiliser de briquet pour cigarette.

### INSTRUCTIONS POUR LA MISE À L'ARRÊT

Tourner tous les boutons de brûleur jusqu'à la position OFF (FERMETURE).

Éteindre toutes les veilleuses d'allumage .

Mettre le robinet d'arrêt général sur la position OFF (FERMETURE).

**FONCTIONNEMENT DE LA PLAQUE CHAUFFANTE**

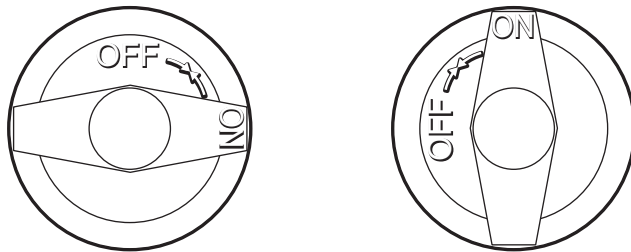
Inspecter l'unité pour vérifier sa propreté avant usage. Nettoyer le cas échéant : voir page 24 .

S'assurer que la veilleuse est allumée avant de faire fonctionner le grill. Voir la section *Allumage de la flamme de la veilleuse*, page 22 .

Les boutons de commande des brûleurs ne doivent être tournés qu'à la main. Ne jamais utiliser d'outil pour tourner les boutons.

Le bouton de commande de cette plaque chauffante à gaz offre une plage continue de réglages entre la position OFF (FERMETURE) à ON (OUVERTURE).

Allumer la veilleuse en tournant le bouton de commande jusqu'à la position ON (OUVERTURE), et ce, jusqu'à ce que l'allumage soit complet dans toutes les sections de brûleur. Régler le bouton de commande sur la position souhaitée. On peut ajuster le réglage à tout moment .



POSITION OFF (FERMETURE)      POSITION ON (OUVERTURE)

Fig. 9 Commande de brûleur

**RECOMMANDATIONS POUR LA CUISSON :**

Économiser l'énergie en tournant le bouton de commande de température jusqu'à la position OFF (*FERMETURE*) chaque fois que le grill reste inutilisé. Les brûleurs à gaz fournissent instantanément une pleine chaleur, ce qui rend inutile de laisser l'unité allumée lorsqu'on n'a pas besoin de l'utiliser.



**AVERTISSEMENT:  
DANGER  
D'INCENDIE**

NE JAMAIS tenter de forcer ou de réparer un bouton ou robinet de commande bloqué. Pour toute réparation, contacter le distributeur agréé Wells. Les boutons ou robinets forcés ou mal réparés posent un risque d'incendie et/ou d'explosion .



**AVERTISSEMENT:  
DANGER  
D'INCENDIE ET  
D'EXPLOSION**

Si la veilleuse d'allumage venait à s'éteindre, arrêter le gaz au robinet d'arrêt général. Laisser l'appareil se purger pendant cinq minutes avant d'essayer de rallumer la veilleuse.



**ATTENTION :  
SURFACE CHAUDE**

Les surfaces exposées peuvent être chaudes au toucher et peuvent occasionner des brûlures .

## INSTRUCTIONS POUR LE NETTOYAGE



### AVERTISSEMENT : DANGER D'INCENDIE

Fermer le robinet d'arrêt du gaz avant le nettoyage.



### ATTENTION : DANGER DE BRÛLURES

Laisser complètement refroidir l'appareil avant de le nettoyer.

### IMPORTANT :

NE PAS renverser ni verser d'eau sur les boutons de commande.

NE PAS submerger l'armoire du grill dans l'eau. Ceci endommagerait les composants internes. Les dommages occasionnés par l'eau aux composants internes ne sont PAS couverts par la garantie.

NE PAS utiliser de tampons métalliques à récurer pour nettoyer l'armoire ou le plateau à graisse.

Une bonne hygiène est vitale pour la qualité des produits alimentaires finis. Il faut s'assurer de bien nettoyer dans tous les coins et toutes les fissures où la graisse ou autres débris alimentaires ont pu s'accumuler.

### PRÉPARATION

Tourner le robinet de commande jusqu'à un réglage bas avant le nettoyage. Laisser refroidir le grill jusqu'à son réglage le plus bas avant de nettoyer.

### FRÉQUENCE

Tous les jours

### USTENSILES

Brosse à soies Chiffon ou éponge propre  
Détergent doux Eau chaude  
Produit nettoyant compatible avec l'acier inoxydable

### NETTOYAGE QUOTIDIEN

1. Fermer le robinet d'arrêt (sur la position OFF/FERMETURE) avant le nettoyage. Laisser complètement refroidir la plaque chauffante avant de la nettoyer.
2. Enlever la ou les grilles et le plateau pour la graisse en les soulevant de l'armoire.
3. Repérer la position des ensembles de brûleur avant et arrière dans l'armoire. Examiner les ensembles de brûleur.
4. Nettoyer les débris alimentaires de la grille du plateau pour la graisse à l'eau chaude, avec du détergent doux et une brosse à soies. Rincer à l'eau propre. Sécher en essuyant avec un chiffon propre et doux.
5. Examiner les ensembles de brûleur. Repérer la position des volets d'aération avant le nettoyage. Nettoyer les débris alimentaires des brûleurs à l'eau chaude, avec du détergent doux et une brosse à soies. Rincer et essuyer avec un chiffon doux et humecté d'eau propre. Essuyer les surfaces extérieures avec un chiffon propre, sec et doux. Laisser sécher les brûleurs à l'air pour que les passages intérieurs soient totalement dépourvus d'eau. (voir fig. 10, page 25) :
6. Essuyer les parties externes de l'armoire de plaque chauffante à l'aide d'un chiffon propre et doux ou d'une éponge humectée d'eau chaude et de détergent doux ou d'un produit de nettoyage compatible avec l'acier inoxydable. NE PAS utiliser de tampon métallique à récurer pour nettoyer l'armoire de la plaque chauffante. Rincer en essuyant l'armoire de la plaque chauffante avec un chiffon propre et doux ou une éponge humectée d'eau propre et chaude. Sécher l'armoire en l'essuyant avec un chiffon sec propre et doux.
7. Examiner les brûleurs pour vérifier la bonne position des volets d'aération. Réinstaller les ensembles de brûleur dans l'armoire.
8. Le brûleur avec tube venturi court est le brûleur avant. Le venturi/volet d'aération glisse sur la buse du robinet de commande. Les ergots situés sur le fond du brûleur s'enclenchent dans des cavités correspondantes sur le support du brûleur avant.
9. Le brûleur avec tube venturi long est le brûleur arrière. Le venturi/volet d'aération glisse sur la buse du robinet de commande de gauche. Les ergots situés sur le fond du brûleur s'enclenchent dans des cavités correspondantes sur le support du brûleur arrière.
10. Ouvrir le robinet d'arrêt (sur la position ON/OUVERTURE) et allumer la veilleuse.
11. Réinstaller le plateau pour la graisse et la grille.

La procédure de nettoyage est terminée.

## INSTRUCTIONS POUR LE NETTOYAGE (a continué)

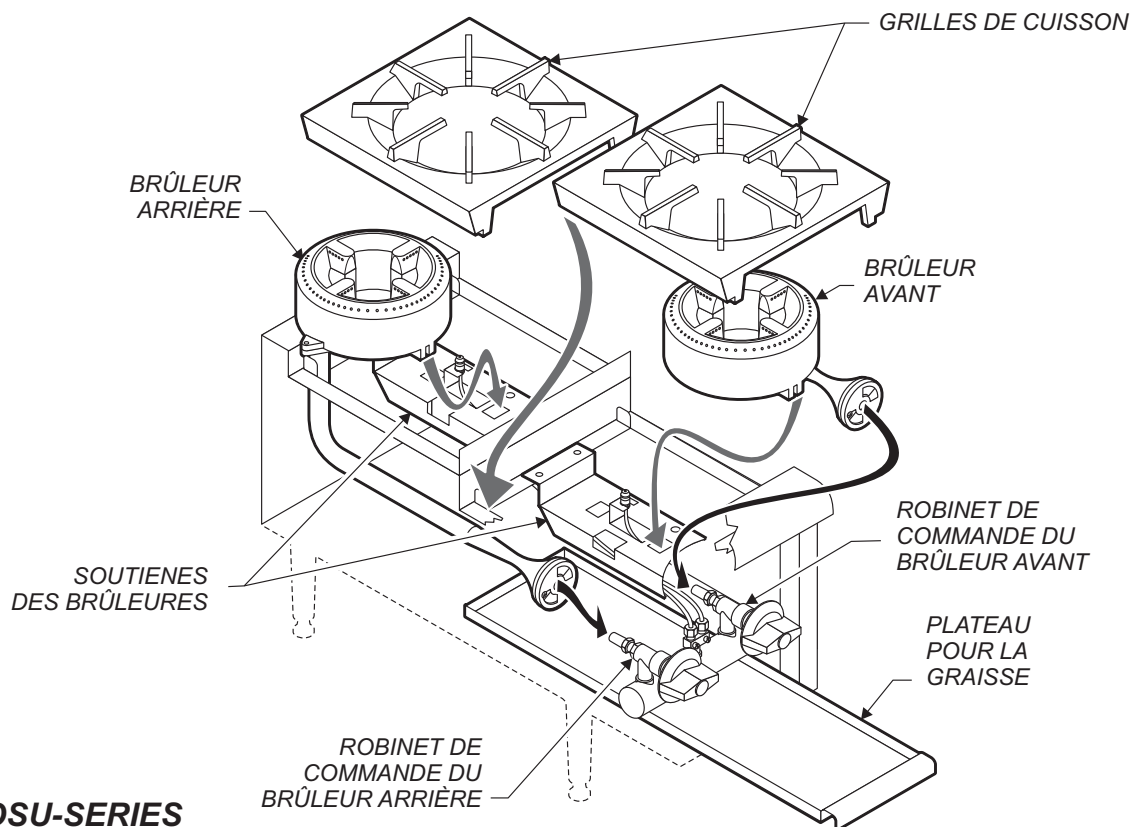
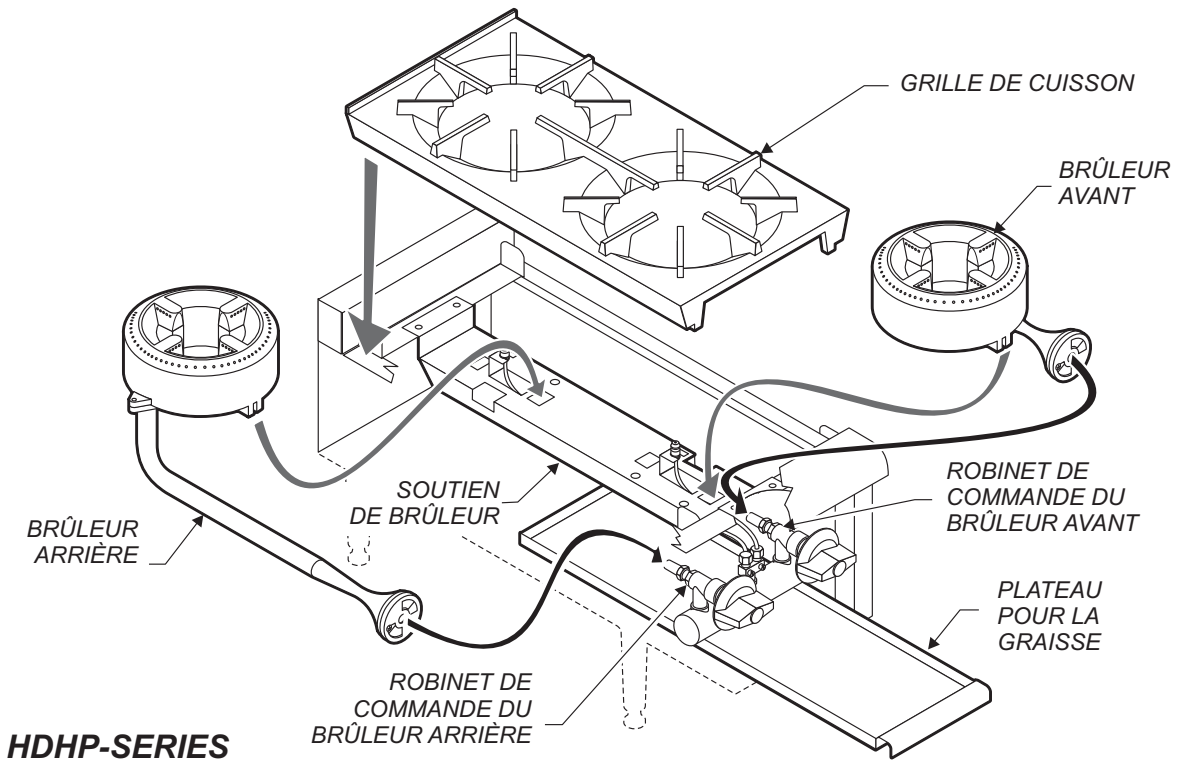


Fig. 10 Ensemble de plaque chauffante

## CONSEILS POUR LE DÉPANNAGE

SYMPTÔMES	CAUSE POSSIBLE	SOLUTION CONSEILLÉE
La veilleuse ne s'allume pas	Alimentation de gaz fermée	Vérifier les robinets d'arrêt principal/de chaque unité.
	Air dans les lignes	Allumer la veilleuse. Essayer d'allumer la veilleuse toutes les 15 secondes.
	Le bouton d'allumage de la veilleuse n'est pas ouvert	Ouvrir/régler le bouton d'allumage de la veilleuse
Les brûleurs ne s'allument pas	Alimentation de gaz fermée	Vérifier les robinets d'arrêt principal/de chaque unité.
	Air dans les lignes	Allumer la veilleuse. Essayer d'allumer la veilleuse toutes les 15 secondes.
	La veilleuse n'est pas allumée	Fermer le robinet d'arrêt du gaz – laisser l'unité se purger à l'évent pendant 5 minutes. Ouvrir le robinet d'arrêt du gaz et allumer la veilleuse.
Un ensemble de brûleur ne s'allume pas	Le bouton de commande est fermé	Ouvrir le bouton de commande (ON/OUVERTURE). Régler les flammes de brûleurs.
	De l'eau dans le brûleur	Enlever le brûleur et le laisser sécher complètement
	Bouton de commande de température, brûleur ou autre composant interne endommagé	Contactez le distributeur agréé Wells pour effectuer les réparations.
Des parties de brûleur ne s'allument pas ou leur flamme est irrégulière	Brûleur mouillé ou trous d'allumage bouchés	Nettoyer et laisser sécher le brûleur.
La flamme du brûleur n'est pas assez chaude	Le bouton de commande de température n'est pas réglé	Régler à la température souhaitée.
	Volet ou buse dérégulée	Contactez un technicien qualifié pour procéder au réglage.
<b>REMARQUE</b> : Les ensembles de brûleur ou les robinets de commande ne comportent aucune pièce que l'utilisateur puisse réparer. Dans tous les cas de dommage ou de fonctionnement défectueux, contactez le distributeur agréé Wells pour procéder aux réparations.		

## PIÈCES DE RECHANGE ET SERVICE DE RÉPARATIONS

### DESCRIPTION

Pieds, réglables en métal (jeu de 4)

### PART NO.

20563

### IMPORTANT :

Utiliser exclusivement des pièces de rechange et des filtres de remplacement agréés par l'usine.

### Wells Manufacturing

265 Hobson Street  
Smithville, Tennessee 37166  
phone: (314) 678-6314  
fax: (314) 781-2714  
(Service des pièces détachées)

Le Service des pièces détachées peut fournir le nom et le numéro de téléphone du distributeur agréé WELLS le plus proche de chez vous.

FRANÇAIS

### RENSEIGNEMENTS À FOURNIR AU SERVICE APRÈS-VENTE

Il est recommandé d'avoir les renseignements suivants sous la main lors d'un appel pour service après-vente

RESTAURANT \_\_\_\_\_ ADRESSE \_\_\_\_\_  
DATE D'INSTALLATION \_\_\_\_\_ NOM DU TECHNICIEN \_\_\_\_\_  
SOCIÉTÉ PRESTATAIRE DE SERVICES \_\_\_\_\_  
ADRESSE \_\_\_\_\_ PROVINCE/ÉTAT \_\_\_\_\_ CODE POSTAL \_\_\_\_\_  
NUMÉRO DE TÉLÉPHONE (\_\_\_\_) \_\_\_\_\_ - \_\_\_\_\_

NUMÉRO DE MODÈLE DE L'ÉQUIPEMENT \_\_\_\_\_

NUMÉRO DE SÉRIE DE L'ÉQUIPEMENT \_\_\_\_\_

COMBUSTIBLE (L'UN MARQUER)  Gaz naturel  Gas de pétrole liquide



Wells Bloomfield proudly supports CFESA  
Commercial Food Equipment Service Association

**SERVICE TRAINING - QUALITY SERVICE**



**CUSTOMER SATISFACTION**



**WELLS MANUFACTURING**

265 Hobson Street, Smithville, Tennessee 37166

telephone: 314-678-6314

fax: 314-781-2714

[www.wells-mfg.com](http://www.wells-mfg.com)