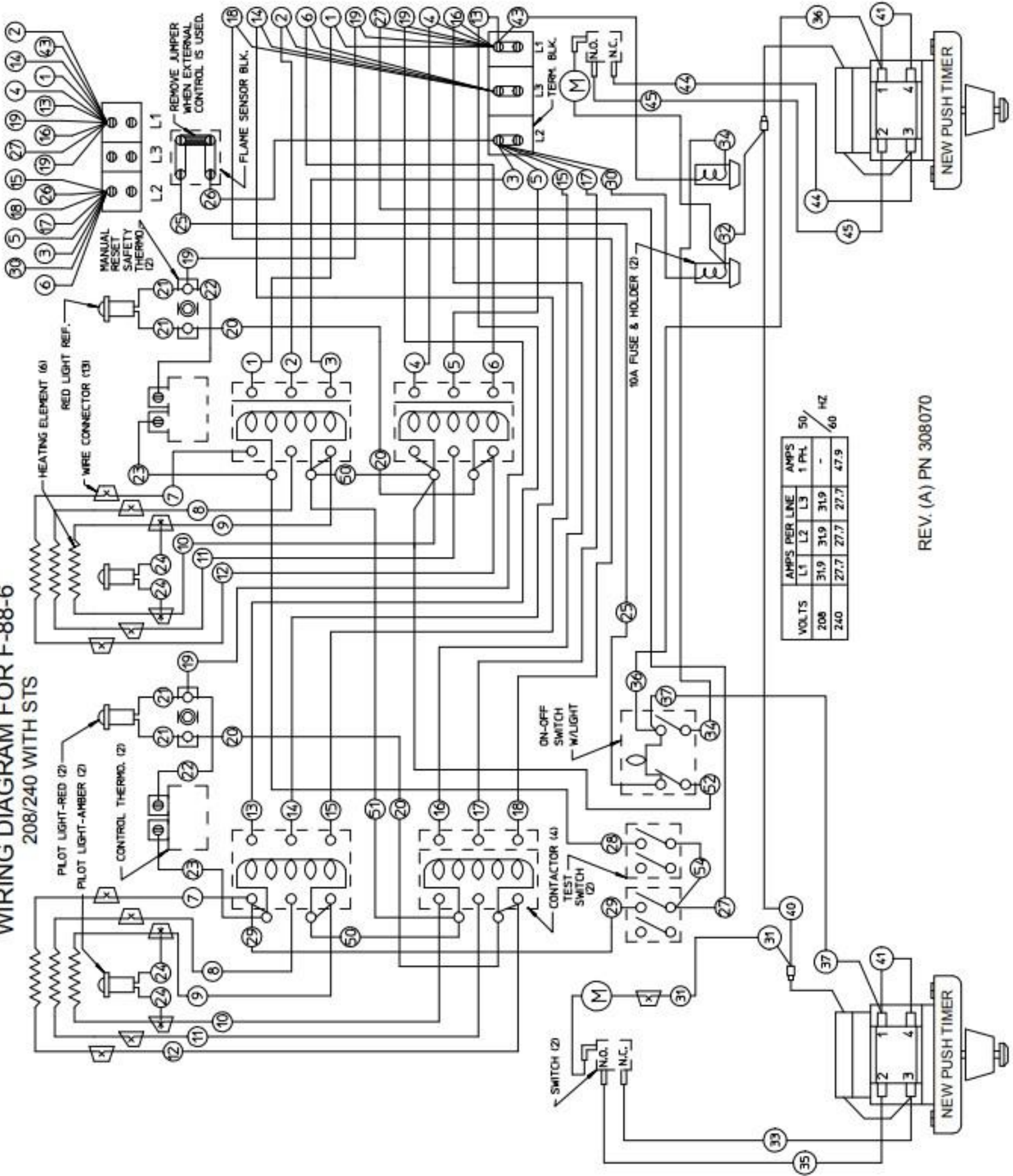


WIRING DIAGRAM FOR F-88-6

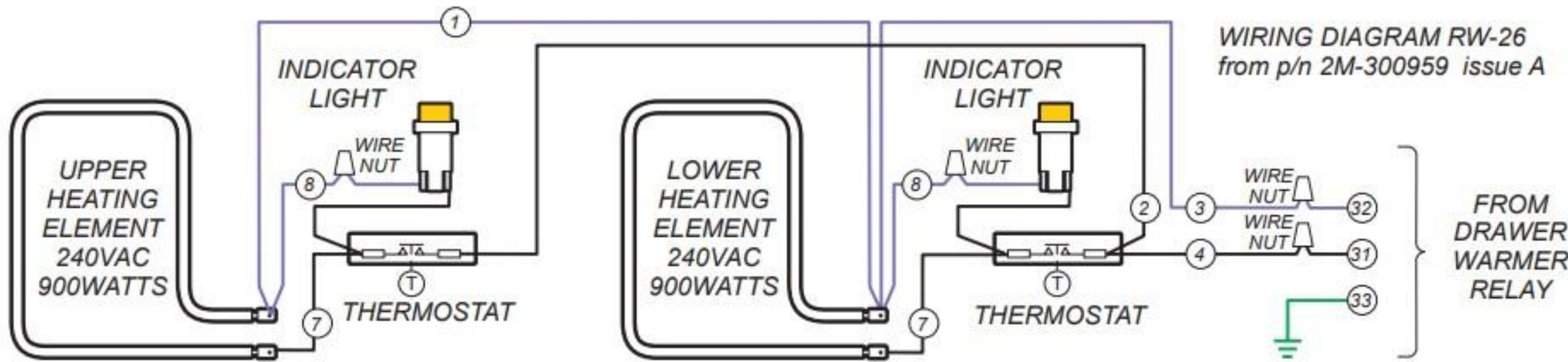
208/240 WITH STS

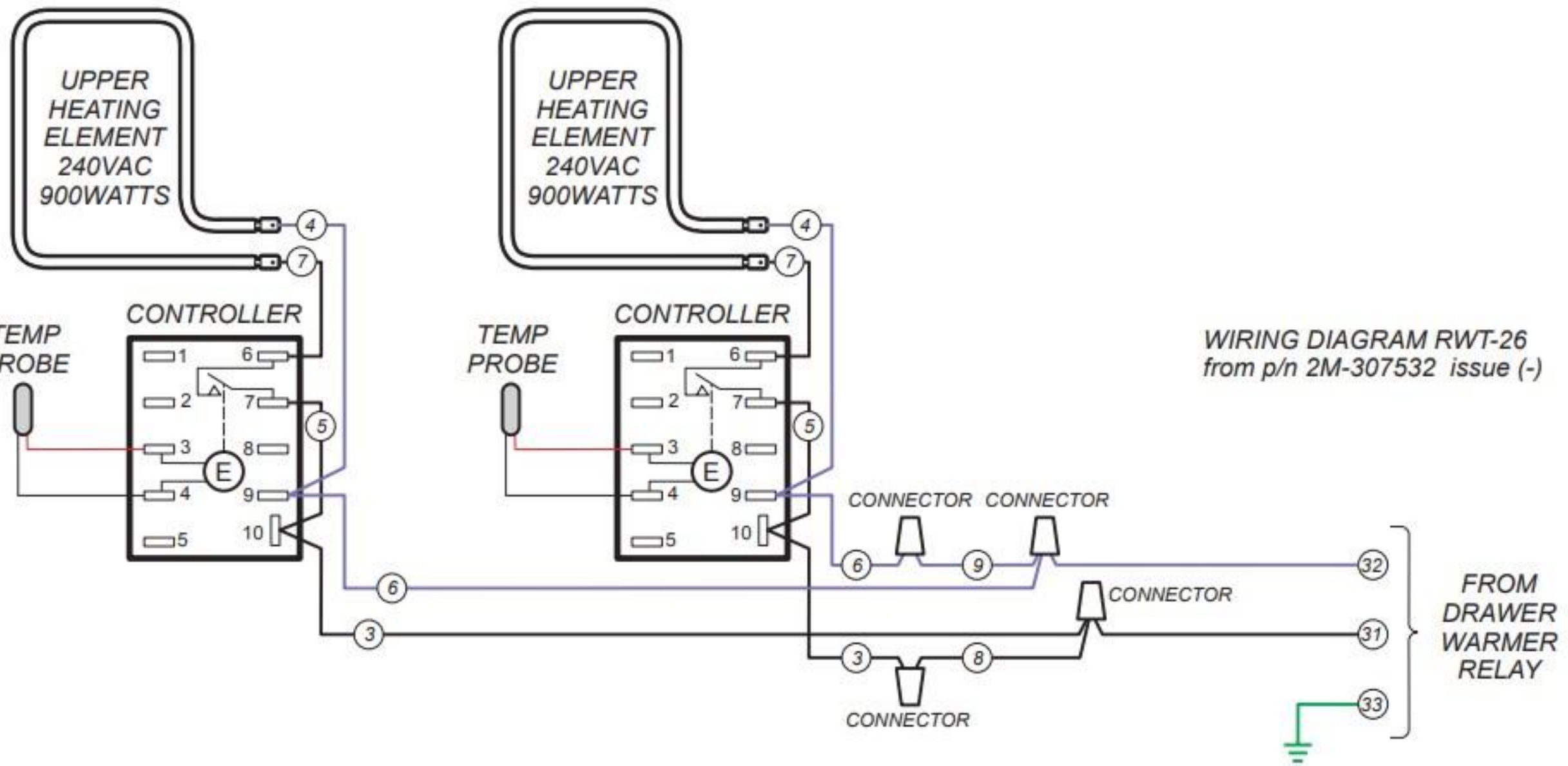


VOLTS	AMPS PER LINE			AMPS 1 PH.
	L1	L2	L3	
208	31.9	31.9	31.9	-
240	27.7	27.7	27.7	47.9

50 / 60 HZ

REV. (A) PN 308070





UPPER
HEATING
ELEMENT
240VAC
900WATTS

UPPER
HEATING
ELEMENT
240VAC
900WATTS

CONTROLLER

CONTROLLER

TEMP
PROBE

TEMP
PROBE

WIRING DIAGRAM RWT-26
from p/n 2M-307532 issue (-)

CONNECTOR CONNECTOR

CONNECTOR

CONNECTOR

FROM
DRAWER
WARMER
RELAY