



WELLS MANUFACTURING

265 Hobson Street, Smithville, Tennessee 37166
telephone: 314-678-6314
fax: 314-781-2714
www.wells-mfg.com

507



Model
WV-FGRW

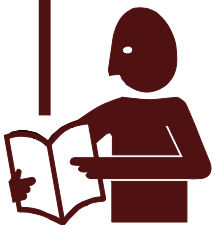
SERVICE MANUAL
WV-FG SERIES

**GRIDDLE / FRYER
COOKTOP**

**with
UNIVERSAL HOOD**

**MODELS
WV-FG
WV-FGRW**

**Includes
INSTALLATION
USE & CARE
EXPLODED VIEW
PARTS LIST
WIRING DIAGRAM**



IMPORTANT: DO NOT DISCARD THIS MANUAL

This manual is considered to be part of the appliance and is to be given to the OWNER or MANAGER of the restaurant, or to the person responsible for TRAINING OPERATORS of this appliance. Additional manuals are available from your WELLS DEALER.

THIS MANUAL MUST BE READ AND UNDERSTOOD BY ALL PERSONS USING OR INSTALLING THIS APPLIANCE. Contact your WELLS DEALER if you have any questions concerning installation, operation or maintenance of this equipment.

LIMITED EQUIPMENT WARRANTY

Wells Manufacturing warranties new products to be free from defects in material and/or workmanship for a period of one [1] year from the date of original installation, except as noted below. Defects that occur as a result of normal use, within the time period and limitations defined in this warranty, will at Wells' discretion have the parts replaced or repaired by Wells or a Wells-authorized service agency.

THIS WARRANTY IS SUBJECT TO ALL LISTED CONDITIONS.

Repairs performed under this warranty are to be performed by a Wells-authorized service agency. Wells will not be responsible for charges incurred or service performed by non-authorized repair agencies.

In all cases, the nearest Wells-authorized service agency must be used.

Wells will be responsible for normal labor charges incurred in the repair or replacement of a warrantied product within 50 miles (80.5 km) of an authorized service agency. Time and expense charges for anything beyond that distance will be the responsibility of the owner. All labor will need to be performed during regular service hours. Any overtime premium will be charged to the owner. For all shipments outside the U.S.A. and Canada, please see the International Warranty for specific details.

It is the responsibility of the owner to inspect and report any shipping damage claims, hidden or otherwise, promptly following delivery.

No mileage or travel charges will be honored on any equipment that is deemed portable. In general, equipment with a cord and plug weighing less than 50 lb. (22.7 kg) is considered portable and should be taken or shipped to the closest authorized service agency, transportation prepaid.

CONTACT

Should you require any assistance regarding the operation or maintenance of any Wells equipment; write, phone, fax or email our service department. In all correspondence mention the model number and the serial number of your unit, as well as the voltage or type of gas you are using.

Business hours are 8:00 a.m. to 4:30 p.m. Central Standard Time
 Telephone 314.678.6314
 Fax 314.781.2714
 Email customerservice@star-mfg.com
 www.wells-mfg.com

WARRANTY EXCLUSIONS

THE FOLLOWING WILL NOT BE COVERED UNDER WARRANTY.

- Any product which has not been installed, cleaned, maintained, or used in accordance with the directions published in the appropriate installation sheet and/or owner's manual as well as national and local codes, including incorrect gas or electrical connection. Wells is not liable for any unit which has been mishandled, abused, misapplied, subjected to chlorides, harsh chemicals, or caustic cleaners, damaged from exposure to hard water, modified by unauthorized personnel, damaged by flood, fire, or other acts of nature [or God], or which have an altered or missing serial number.
- Installation, labor, and job checkouts, calibration of heat controls, air and gas burner/bypass/pilot adjustments, gas or electrical system checks, voltage and phase conversions, cleaning of equipment, or seasoning of griddle surface.
- Replacement of fuses or resetting of circuit breakers, safety controls, or reset buttons.
- Replacement of broken or damaged glass components, quartz heating elements, and light bulbs.
- Labor charges for all removable parts in gas charbroilers and hotplates, including but not limited to burners, grates, and radiants.
- Any labor charges incurred by delays, waiting time, or operating restrictions that hinder a service technician's ability to perform service.
- Parts that fail or are damaged due to normal wear or labor for replacement of Items that can easily be replaced during a daily cleaning routine. such as but not limited to silicone belts, PTFE non-stick sheets, knobs, control labels, bulbs, fuses, quartz heating elements, baskets, racks, and grease drawers.
- Components that should be replaced when damaged or worn, but have been field-repaired instead [eg. field-welded fry pots].
- Any loss of business or profits.

ADDITIONAL WARRANTIES

Specialty/chain specific versions may also have additional and/or extended warranties.

PRODUCTS	PARTS	LABOR
universal ventless hoods	2 years	1 year
canopy hoods	2 years	1 year
"Cook'n Hold" equipment [HW10, HWSMP, LLSC7, LLSC7WA, LLSC11, and LLSC11WA]	2 years	1 year
cast iron grates, burners, and burner shields	1 year	
original Wells parts sold to repair Wells equipment	90 days	
Service First	1 year	

TABLE OF CONTENTS

WARRANTY	1
SPECIFICATIONS	1
FEATURES & OPERATING CONTROLS	2
PRECAUTIONS & GENERAL INFORMATION	6
AGENCY LISTING INFORMATION	10
INSTALLATION	11
OPERATION	16
CLEANING INSTRUCTIONS	21
MAINTENANCE INSTRUCTIONS	26
TROUBLESHOOTING SUGGESTIONS	29
MAINTENANCE SCHEDULES	30
MSDS (Ansulex Low pH)	33
ANSUL® COMPONENTS	35
EXPLODED VIEW & PARTS LIST	36
WIRING DIAGRAM	41
PARTS & SERVICE	45
CUSTOMER SERVICE DATA	45

INTRODUCTION

Thank You for purchasing this Wells Manufacturing appliance.

Proper installation, professional operation and consistent maintenance of this appliance will ensure that it gives you the very best performance and a long, economical service life.

This manual contains the information needed to properly install this appliance, and to use and care for the appliance in a manner which will ensure its optimum performance.

SPECIFICATIONS

MODEL	DRAWER WARMER	VOLTS 60Hz	3ø AMPS			1ø AMPS	WATTS
			L1	L2	L3		
WV-FG	NO	208V	30	43	24	52	10,800
		240V	26	40	24	49	11,700
WV-GRW WV-FGRWT	YES	208V	32	43	26	55	11,500
		240V	28	40	27	53	12,600

Minimum clearances required from unit to nearest combustible surface or object

	BACK	SIDE	BOTTOM	TOP
inches	n/a	6	6	19
millimeters	n/a	152	152	483

FEATURES & OPERATING CONTROLS

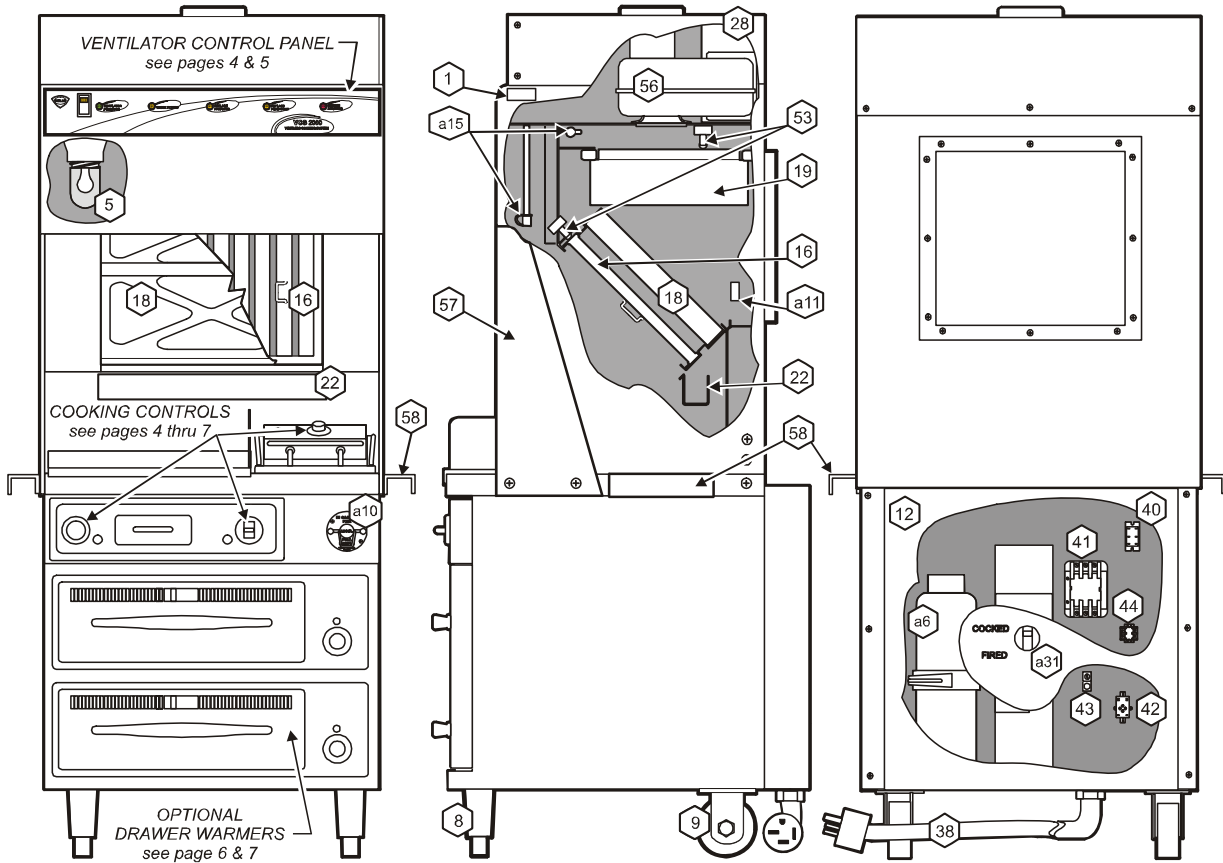


Fig. 1 Ventilator Section Operating Features & Controls

FEATURES & OPERATING CONTROLS (continued)

VENTILATOR SECTION

ITEM	DESCRIPTION	COMMENT
1.	NAMEPLATE	Gives manufacturer, make and model description. Also lists voltage and amperage data.
5.	APPLIANCE LIGHT	<i>ON</i> when hood power switch is <i>ON</i> . Illuminates cooktop.
a6.	FIRE SUPPRESSION AGENT TANK (1.5 gal.)	Container for Ansul TM Low-pH liquid fire suppression liquid.
8.	ADJUSTABLE (FRONT) LEG	Allows the unit to be leveled.
9.	RIGID (REAR) CASTER	Allows the unit to be easily positioned by lifting the front of the unit slightly.
a10.	MANUAL PULL STATION	Provides a means of manual activation of the fire suppression system. PULL ONLY IN CASE OF FIRE!
a11.	FUSIBLE LINKS	Designed to break at rated temperature. Breaking (i.e. fire on the cooktop) activates fire suppression system. Should be replaced at least once per year.
12.	LOWER REAR ACCESS PANEL	Allows access to Ansul [®] fire suppression agent tank (a6) and controls also access to main power contactor (41).
a15.	DISCHARGE NOZZLE	Fire suppression media discharges here (2 places).
16.	GREASE BAFFLE	Extracts and drains most grease and moisture from the air flow.
18.	PRE-FILTER ASSEMBLY	Comprises the PRE-FILTER FRAME and a replaceable PRE-FILTER. Stops larger particles of grease from reaching the FILTER PACK for reduced maintenance costs.
19.	HI-EFFICIENCY/CHARCOAL FILTER PACK	Stops most grease and smoke particles. Also assists in some cooking odor removal.
22.	GREASE DRIP TRAY	Collects grease/moisture dripping from grease baffle(16).
28.	VENTILATOR EXHAUST DUCT	Exit point for ventilator airflow - on top left rear of unit. DO NOT BLOCK
a31.	STATUS INDICATOR	Displays status of fire suppression system (<i>COCKED - FIRED</i>) If <i>FIRED</i> , a buzzer will sound continuously.
38.	POWER CORD	6' cord and cap. Plug for NEMA 15-60R (receptacle by user).
41.	POWER CONTACTOR	Energizes cooking appliances only while ventilator section is sensed as operational.
42.	BUILDING FIRE ALARM RELAY	Reports fire alarm condition to building fire management system.
43.	GROUND LUG	Ground wire of power cord connects here.
44.	INTERLOCK TERMINAL	Provides connection for shut-down control by building fire management system.
53.	FILTER INTERLOCK SWITCHES	Proper installation of grease baffle and filter pack close these switches in ventilator sensor circuit.
56.	VENTILATOR FAN	Provides air movement for ventilation.
57.	HOOD SIDE SHIELD	Required on left and right sides of hood. Factory installed.
58.	SIDE SPACERS	Required to maintain 6" spacing from combustibles. Field installed.

FEATURES & OPERATING CONTROLS (continued)

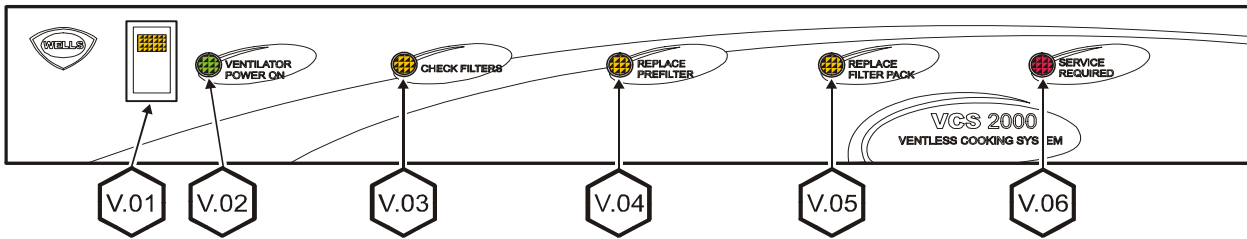


Fig. 2 Ventilator Section Controls & Indicator Lights

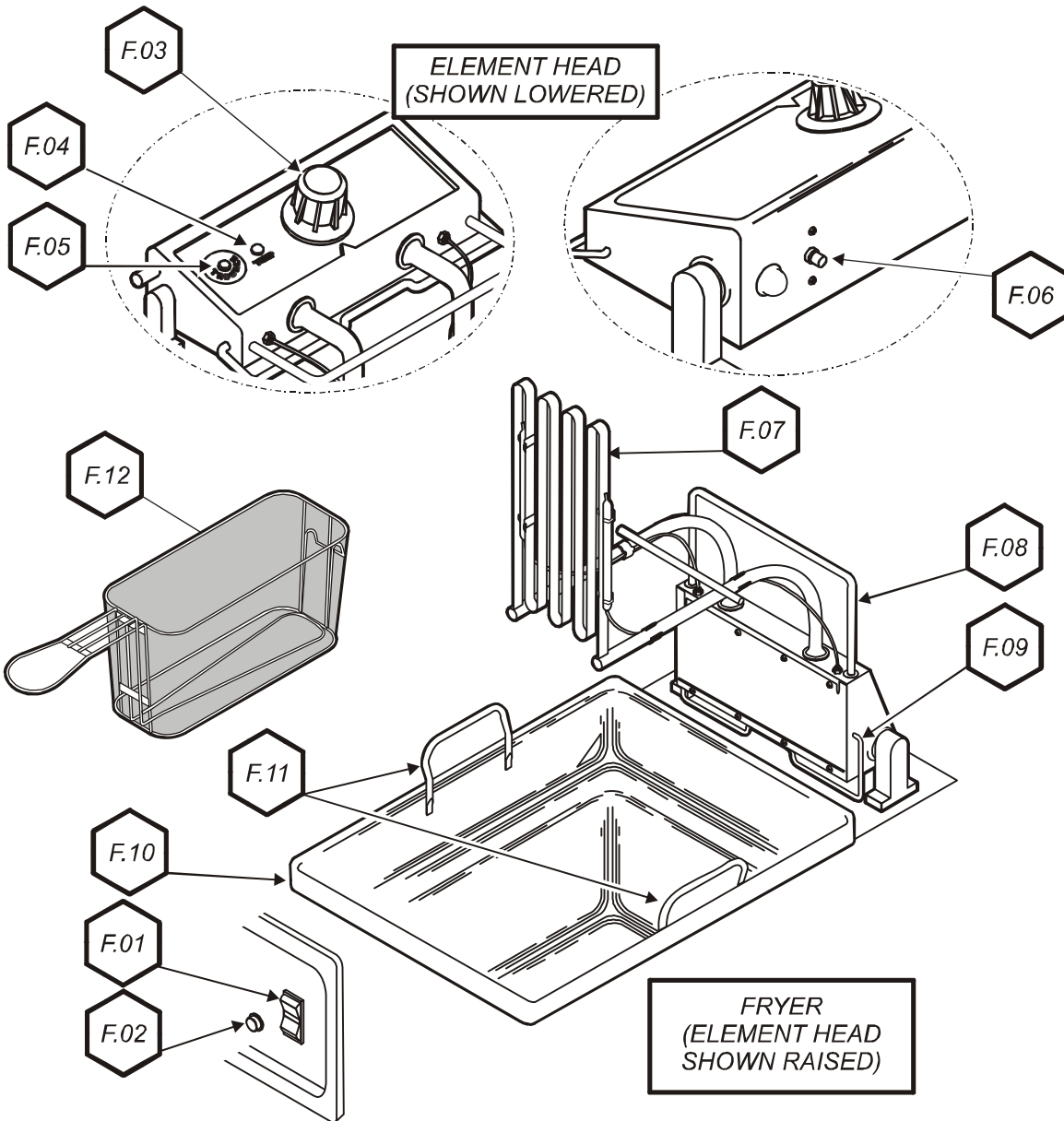


Fig. 3 Fryer Section

FEATURES & OPERATING CONTROLS (continued)

ITEM	DESCRIPTION	COMMENT
VENTILATOR SECTION CONTROLS		
V.01	POWER SWITCH	Energizes BLOWER MOTOR. If, after 10 seconds, proper conditions are met, cooking appliances are energized. APPLIANCE LIGHT is <i>ON</i> when POWER SWITCH is <i>ON</i> .
V.02	POWER ON INDICATOR	GREEN. Glows when POWER switch is <i>ON</i> .
V.03	CHECK FILTERS ALARM INDICATOR	AMBER. Glows if one or more filters are out of position. Check all filters and baffles for proper installation.
V.04*	REPLACE PREFILTER ALARM INDICATOR	AMBER. Glows when PREFILTER is approaching the end of its service life and must soon be replaced.
V.05*	REPLACE FILTER PACK ALARM INDICATOR	AMBER. Glows when FILTER PACK is approaching the end of its service life and must soon be replaced.
V.06*	SERVICE REQUIRED ALARM INDICATOR	RED. Glows when PREFILTER and/or FILTER PACK has reached the end of its service life and is too loaded to allow sufficient air flow. Filter MUST be replaced. Appliance is <i>SHUT DOWN</i> until expended filters are replaced.

* See *PRECAUTIONS & GENERAL INFORMATION*, pages 8 for special procedures regarding prefilters and filter packs.

FRYER SECTION

F.01	FRYER POWER SWITCH	Energizes FRYER SECTION.
F.02	FRYER POWER INDICATOR	Glows when FRYER POWER SWITCH is <i>ON</i> .
F.03	TEMPERATURE CONTROL	Thermostatic control of cooking oil temperature.
F.04	TEMP INDICATOR	Glows when HEATING ELEMENT is energized. Goes out when oil is up to temperature.
F.05	HI-LIMIT INDICATOR	Glows if HI-LIMIT SAFETY is <i>TRIPPED</i> .
F.06	HI-LIMIT SAFETY RESET	Interrupts power to HEATING ELEMENT (red button pops out) if oil exceeds safe temperature. Press red button to reset after oil has cooled.
F.07	HEATING ELEMENT	Heating portion of ELEMENT HEAD. Includes heating element, temperature control thermobulb and hi-limit safety thermobulb.
F.08	BASKET RACK	Hang FRYER BASKET here to load or drain. Also used as a handle to raise or lower the ELEMENT HEAD.
F.09	ELEMENT HEAD SUPPORT ROD	Spring loaded to automatically support the ELEMENT HEAD in the raised position. In order to lower the ELEMENT HEAD the SUPPORT ROD must be released by rotating forward.
F.10	FRYPOT	Holds cooking oil. Removable for cleaning.
F.11	FRYPOT HANDLES	Used to hold FRYPOT when installing or removing from appliance.
F.12	FRYER BASKET	Holds product for loading / frying / draining.

FEATURES & OPERATING CONTROLS (continued)

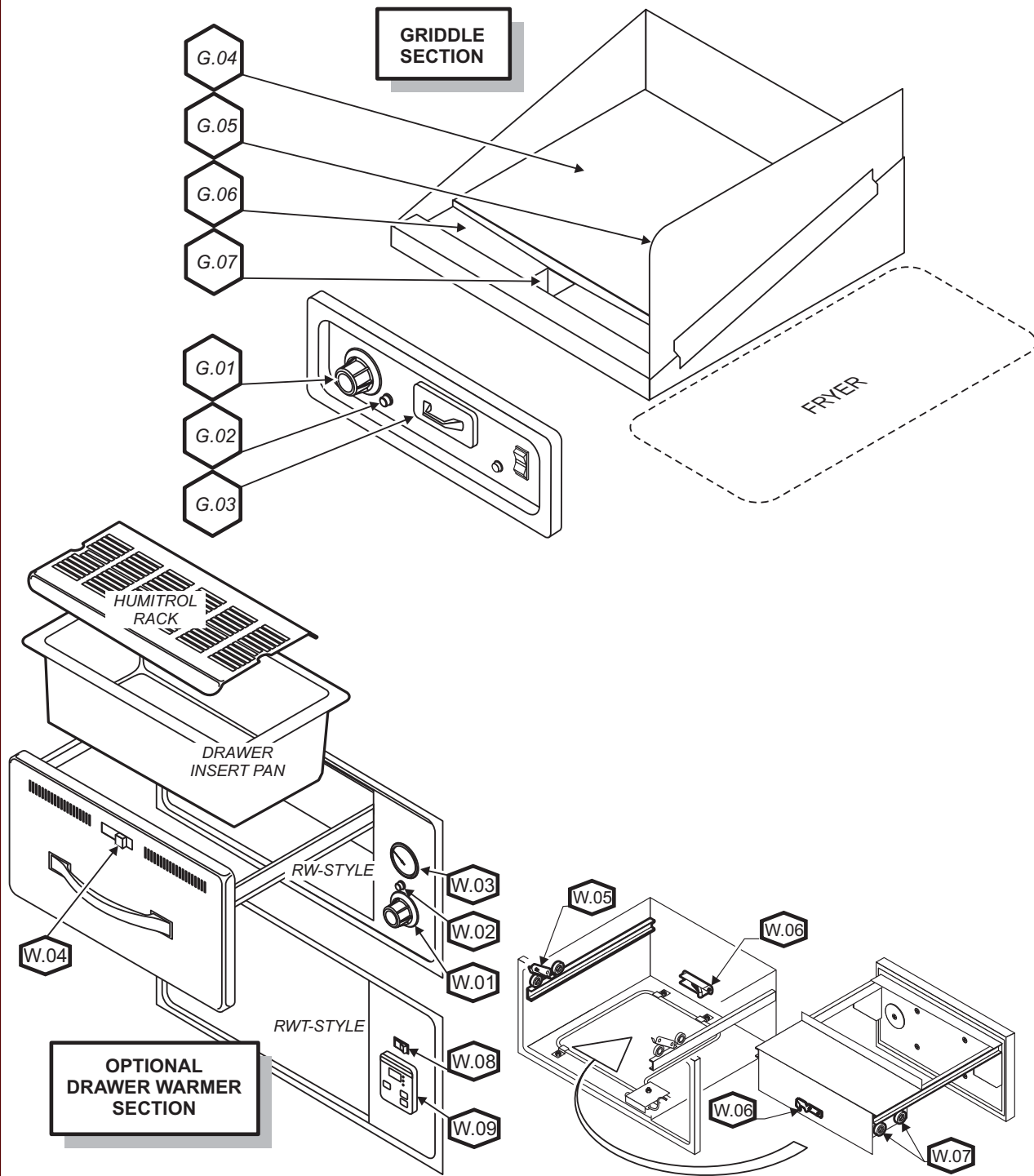


Fig. 4 Griddle and Drawer Warmer Sections

FEATURES & OPERATING CONTROLS (continued)

ITEM	DESCRIPTION	COMMENT
GRIDDLE SECTION		
G.01	GRIDDLE TEMPERATURE CONTROL	Thermostatic control of griddle temperature
G.02	GRIDDLE HEAT INDICATOR	Glow when heating elements are energized.
G.03	GREASE DRAWER	Collects cooking waste from GRIDDLE. Removable for cleaning.
G.04	COOKING SURFACE	Heated portion for cooking food.
G.05	SPLATTER SHIELD	Helps control grease splatter and contamination between the GRIDDLE and FRYER sections.
G.06	WASTE TROUGH	Scrape cooking waste to this area.
G.07	WASTE CHUTE	Cooking waste moved into GREASE DRAWER thru this opening.
OPTIONAL DRAWER WARMER SECTION		
W.01	WARMER TEMPERATURE CONTROL	Infinite switch control of temperature of one warmer drawer.
W.02	POWER ON INDICATOR	AMBER. Glows when associated temperature control is turned <i>ON</i> .
W.03	THERMOMETER (optional)	Reads temperature inside drawer cavity Must be ordered at time of initial build.
W.04	HUMIDITY CONTROL	Slide control of shutters to control air circulation within the warmer drawer.
W.05	DRAWER CATCH	Holds drawer closed.
W.06	DRAWER STOP	Prevents drawer from opening too far. Spring loaded to permit easy removal of drawer.
W.07	DRAWER ROLLERS	Support drawer and allow it to open and close smoothly.
W.08	POWER SWITCH (RWT)	Energizes unit (RWT-style only)
W.09	CONTROLLER (RWT)	Controls cavity temperature. Readout displays setpoint and actual temperature information. UP ARROW / DOWN ARROW keys allow modification of setpoint temperature. (RWT-style units only)

PRECAUTIONS AND GENERAL INFORMATION

DANGER
DANGER
FIRE
HAZARD



THE FIRE SUPPRESSION SYSTEM MUST BE CHARGED AND CERTIFIED BY AN AUTHORIZED **ANSUL®** DISTRIBUTOR. **NEVER** ATTEMPT TO MODIFY OR BYPASS THE FIRE SUPPRESSION SYSTEM. AN UNCONTROLLED FIRE CAN CAUSE SERIOUS INJURY, DEATH AND/OR PROPERTY LOSS.

WARNING:
WARNING
ELECTRIC
SHOCK HAZARD

All servicing requiring access to non-insulated electrical components must be performed by a factory authorized technician. **DO NOT** open any access panel which requires the use of tools. Failure to follow this warning can result in severe electrical shock.

NOTE: Fire suppression system and all associated components must only be serviced by an authorized Ansul® Distributor. All setup, charging, repair and/or adjustment of the fire suppression system must be performed by an **Authorized Ansul® Distributor ONLY**.

IMPORTANT: If a remote pull station is installed, both rear casters (9) must be replaced with legs to deter moving the unit. **MOVING AN APPLIANCE WITH A REMOTE PULL STATION WILL DISCHARGE THE FIRE SUPPRESSION SYSTEM.**

This Ventless Cooking System™ is designed to help reduce odor emissions, but will not completely eliminate cooking odors. Air exchange at the installation site must comply with the requirements of the local jurisdictional authority. To ensure that odors do not build-up, recommended minimum air exchange is 300 - 400 cfm of outside air into *and out of* the area where the unit is used. Recommend use of wall fan and wall switch, to be supplied by user.

Disconnect this appliance from electrical power before performing any maintenance or servicing.

Any procedure which requires the use of tools must be performed by a qualified technician.

Use only genuine Wells replacement parts and filters, call (314) 678-6314 or your authorized Wells service agent. Parts supplied by others will void your warranty and may not provide safe operation.

This appliance is not jet stream approved. Do not direct water jet or steam jet at this appliance, or at any control panel or wiring.

Do not splash or pour water on, in or over any exposed element, control, control panel or wiring.

Hot oil can cause severe burns. Avoid contact with hot oil.

DO NOT splash or pour water into cooking oil as severe splattering of hot oil can result. Splattering hot oil can cause severe burns.

The surface of the griddle is very hot during operation and can cause severe burns. Avoid contact with the hot griddle surface.

Exposed surfaces of this appliance can be hot to the touch and may cause burns.

PRECAUTIONS AND GENERAL INFORMATION (continued)

This appliance is intended for use in commercial establishments only.

This appliance is intended to prepare food for human consumption. No other use is recommended or authorized by the manufacturer or its agents.

Operators of this appliance must be familiar with the appliance use, limitations and associated restrictions. Operating instructions must be read and understood by all persons using or installing this appliance.

Cleanliness of this appliance is essential to good sanitation. Read and follow all included cleaning instructions and schedules to ensure the safety of the food product.

DO NOT submerge pre-filter or filter pack in water. Water will destroy the filters leading to equipment shut-down.

The technical content of this manual, including any wiring diagrams, schematics, parts breakdown illustrations and/or adjustment procedures, is intended for use by qualified technical personnel.

This manual is considered to be a permanent part of the appliance. This manual and all supplied instructions, diagrams, schematics, parts breakdown illustrations, notices and labels must remain with the appliance if it is sold or moved to another location.

This appliance is made in the USA. Unless otherwise noted, this appliance has American sizes on all hardware.



CAUTION: RISK OF DAMAGE

DO NOT connect or energize this appliance until all installation instructions are read and followed. Damage to the appliance will result if these instructions are not followed.



CAUTION: BURN HAZARD

Avoid contact with hot oil. Hot oil can cause severe burns.



CAUTION: HOT SURFACE

Exposed surfaces can be hot to the touch and may cause burns.

PRECAUTIONS AND GENERAL INFORMATION (continued)

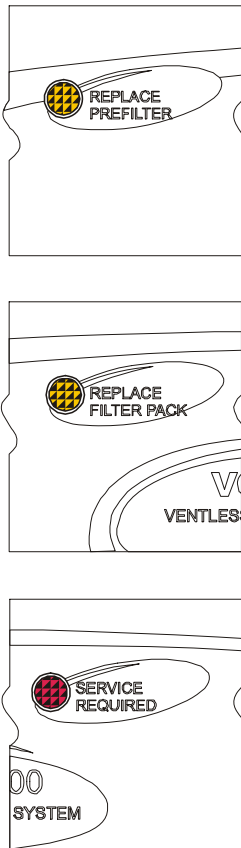


Fig. 5 Ventilator
Warning
Indicators

OPERATIONAL NOTES:

REPLACE PREFILTER and *REPLACE FILTER PACK* indicator lights provide a timely warning that a system shut-down is imminent.

The actual time between the indicator light coming on and the loss of cooking appliance power will depend upon the cooking conditions.

Anytime a dirty PRE-FILTER is replaced, the system airflow will increase. If the condition of the FILTER PACK is marginal, the *REPLACE FILTER PACK* light could then come on. If this happens, a fresh FILTER PACK must be installed within a reasonably short time.

Loss of airflow through the old filter pack will soon cause a system shut-down when the airflow falls below minimum vapor capture levels.

KEEP SPARE FILTER PACKS ON HAND.

IMPORTANT: If you decide to “get the most” out of the old filter pack, and continue to use it until a system shut-down happens, it is advisable to have a fresh filter pack readily at hand, and have someone available who is capable of replacing it. Otherwise, you may experience an extended down time, with consequent associated loss of business. Use only genuine Wells replacement parts and filters, call (314) 678-6314 or your authorized Wells service agent. Parts supplied by others will void your warranty and may not provide safe operation.

The manufacturer assumes no liability for loss of business due to a system shutdown caused by a dirty pre-filter and/or filter pack (i.e. red *SERVICE REQUIRED* light is on), when the user fails to have the proper replacement pre-filter and/or filter pack on hand.

The Ventless Cooking System™ hood is designed as part of a **WELLS cooking appliance** only. No other use of this product is authorized by the manufacturer or its agents. Wells Mfg. assumes no liability for the use of this equipment with products by any other manufacturer's, or for use of this equipment with any Wells Manufacturing product other than in factory certified applications.

AGENCY LISTING INFORMATION



STD 4



E146882



E146882



UL710B CATEGORY KNKG
RECIRCULATING SYSTEM
E146887

This appliance conforms to NSF Standard 4 for sanitation only if installed in accordance with the supplied *Installation Instructions* And operated and maintained in accordance with the instructions in this manual.

This appliance is  and  Listed under UL File E146882.

UNPACKING & INSPECTION

Carefully remove the appliance from the carton. Remove all protective plastic film, packing materials and accessories from the Appliance before connecting electrical power or otherwise performing any installation procedure.

Carefully read all instructions in this manual and the *Installation Instruction Sheet* packed with the appliance before starting any installation.

Read and understand all labels and diagrams attached to the appliance.

Carefully account for all components and accessories before discarding packing materials. Store these components in or near the appliance for later use. These items must be installed before operating the appliance.

- 1 ea. FIRE SUPPRESSION AGENT (**ANSULEX® Low pH**, 1.5 GAL.)
See *Material Safety Data Sheet*, page 28.
- 1 ea. FIRE SUPPRESSION MEDIA TANK
- 1 ea. FIRE SUPPRESSION TANK CHARGING CARTRIDGE
- 1 ea. GREASE BAFFLE
- 1 ea. FILTER PACK ASSEMBLY
- 1 ea. PRE-FILTER HOLDER with PRE-FILTER
- 1 ea. GREASE DRIP TRAY
- 1 ea. GREASE DRAWER ASSY FOR GRIDDLE
- 2 ea. 6" SIDE SPACERS
- 1 ea. LITERATURE PACKAGE

Additionally:

- 1 ea. GRIDDLE SPLASH SHIELD
- 1 ea. FRYER FRYPOT
- 2 ea. FRYER BASKETS, 1/2 SIZE
- 2 ea. DRAWER PANS (if unit has optional drawer warmers)

SETUP

Setup the appliance only on a firm level surface. Non-combustible material is recommended.

Refer to the *Installation Instruction Sheet* for required clearances. Maintain required clearances between the appliance and adjacent combustible surfaces. Verify 6" left and right side clearances to combustible construction. This appliance requires a **minimum of 8 ft (96")** (floor to overhead) to allow for adequate exhaust.

Verify that the VENTILATOR HOOD ASSEMBLY is properly and securely assembled to the cooking appliance before beginning the installation procedure.

If a remote manual pull station is to be installed, replace the rear casters with legs.

Level the unit after it is in its final position. Using a spirit level, verify that the unit is level front-to-back and side-to-side.

NOTE: DO NOT discard the carton or other packing materials until you have inspected the appliance for hidden damage and tested it for proper operation. Refer to *SHIPPING DAMAGE CLAIM PROCEDURE* on the inside front cover of this manual.



WARNING: RISK OF INJURY

Installation procedures must be performed by a qualified technician with full knowledge of all applicable electrical codes. Failure can result in personal injury and property damage.



WARNING: FIRE HAZARD

Avoid storing flammable or combustible materials near the appliance.

IMPORTANT:

This appliance requires a **minimum of 8 ft (96")** (floor to overhead) to allow for adequate exhaust.

Provided 6" side spacers (item 58) must be installed on the appliance.

Factory installed side shields (item 57) are required.

IMPORTANT:

If a remote manual pull station is to be installed, replace the rear casters with legs.

INSTALLATION (continued)

IMPORTANT!

Verify that this VENTILATOR and food cooking equipment installation is in compliance with the specifications listed in this manual, with local code requirements, and in accordance with N.F.P.A 96 (*THE STANDARD FOR VENTILATION CONTROL AND FIRE PROTECTION OF COMMERCIAL COOKING OPERATIONS* - current edition).

**THIS IS THE
RESPONSIBILITY
OF THE INSTALLER**



**DANGER
ELECTRIC
SHOCK
HAZARD**

ELECTRIC CONNECTIONS MUST BE MADE BY A LICENSED ELECTRICIAN. Electrical shock will cause death or serious injury.



**CAUTION:
ELECTRIC SHOCK
HAZARD**

The ground lug of this appliance must be connected to a suitable building ground. NOTE: This appliance requires a dedicated 60 Amp electrical branch circuit protection.

IMPORTANT:

Contact a licensed electrician to install and connect electrical power to the appliance.

IMPORTANT:

Damage due to being connected to the wrong voltage or phase is NOT covered by warranty.

SERVICE TECHNICIAN INSTALLATION NOTES

An Ansul® technician must charge and arm the fire suppression system before the ventilator blower will operate. See page 13.

Installation and start up must be performed by an Authorized Installation Company.

Installer must complete the *WARRANTY REGISTRATION* form, and record appliance installation particulars on the *CUSTOMER SERVICE DATA* form in this manual.



Certain codes require cooking equipment to be restrained with a RESTRAINT DEVICE. It is the RESPONSIBILITY OF THE INSTALLER to check with the AUTHORITY HAVING JURISDICTION, in order to ascertain the applicability of this requirement to THIS SPECIFIC EQUIPMENT INSTALLATION. Any restraint device must allow access to the back and sides of the unit to provide for servicing and maintenance, and must not interfere with the operation of the FIRE SUPPRESSION SYSTEM.

ELECTRICAL INSTALLATION

1. This appliance must be installed by a licensed electrician in accordance with all applicable codes and ordinances. Electrical connection terminal block and ground lug are accessible by removing the right side panel.
2. Refer to the nameplate on right side of the appliance. Verify the ELECTRICAL SERVICE POWER. Voltage and phase must match the nameplate specifications, and available electrical service amperage must meet or exceed the specifications listed on page 1. Wiring must be no less than 6 AWG solid copper wire, rated for at least 90°C.

NOTE: Wire gauge, insulation type and temperature rating, as well as type, size and construction of conduit, must meet or exceed applicable specifications of local codes and of the National Electrical Code.

NOTE: This appliance requires a NEMA 15-60R receptacle.

3. This appliance must be connected to a suitable building ground. The equipment ground connection is marked "  ".

4. The appliance is shipped from the factory wired for 3Ø electrical service. Refer to the *Wiring Diagram* included with this appliance, and verify that field wiring conforms to this diagram.

IMPORTANT: This appliance is not approved for 1Ø operation. Conversion of this appliance to single-phase operation will void the warranty.

FIRE SUPPRESSION SYSTEM INSTALLATION

1. Any REMOTE MANUAL PULL STATION must be installed by an authorized ANSUL® distributor in accordance with the AUTHORITY HAVING JURISDICTION.

NOTE: If a REMOTE MANUAL PULL STATION is installed, moving the unit for servicing will cause the Ansul® system to discharge. In this case, the unit must only be installed with four fixed legs (i.e. remove rear casters and replace with legs). Additional legs may be ordered through an Authorized Wells Service Agency. See page 29.

2. The FIRE SUPPRESSION SYSTEM is comprised of a pressurized cartridge & container of liquid fire suppressant, with associated plumbing and controls. It utilizes factory installed FUSIBLE LINKS for automatic actuation, and a factory installed MANUAL PULL STATION for manual actuation. Two NOZZLES are used to disperse the liquid fire suppression media.

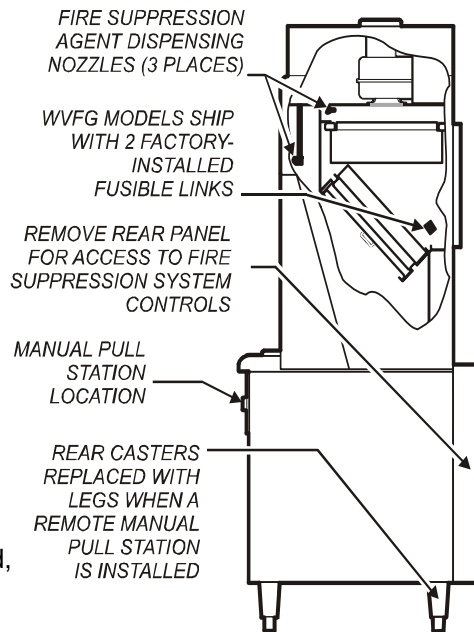


Fig. 6 Fire Suppression System

3. When the fire suppression system activates, the fire suppression media is discharged, both the cooking appliance and the ventilator are de-energized, and a buzzer will sound continuously. The fire suppression media will form an emulsion designed to both smother and cool the fire.

Call your Authorized Ansul® Distributor immediately for service.

NOTE: See page 28 for the Material Safety Data Sheet for the fire suppression agent.

4. The MANUAL PULL STATION and any similar REMOTE MANUAL PULL STATION will activate the fire suppression system when the ring on the pull station is pulled horizontally.



THE FIRE SUPPRESSION SYSTEM MUST BE CHARGED AND CERTIFIED BY AN AUTHORIZED ANSUL® DISTRIBUTOR. NEVER ATTEMPT TO MODIFY OR BYPASS THE FIRE SUPPRESSION SYSTEM. AN UNCONTROLLED FIRE CAN CAUSE SERIOUS INJURY, DEATH AND/OR PROPERTY LOSS.

IMPORTANT: The FIRE SUPPRESSION SYSTEM must be SET-UP and CHARGED by an authorized Ansul® distributor before the ventilator blower will operate.

NOTE: If the fire suppression system is discharged, a buzzer will sound continuously and the cooking appliance will remain inoperable until the fire suppression system is serviced. **Recharging and resetting must be performed by an authorized Ansul® distributor ONLY.**

Charging of the Ansul Fire Suppression system must be in accordance with *Ansul® Design, Installation, Recharge and Maintenance Manual*. (Ansul® #418087-05)

INSTALLATION (continued)

NOTE:

The GREASE BAFFLE and FILTER PACK activate mechanical switches, and the PRE-FILTER activates a vacuum switch, to verify that the filter elements are in their proper positions.

All filter elements must be properly installed or the cooking appliances will not be energized. Also, the *CHECK FILTERS* indicator will light.

IMPORTANT:

The filter hook prevents the PRE-FILTER from being drawn in during operation.

After installation, press against the top of the filter frame to verify proper engagement of the filter hook over the lip of the top filter rail.

FILTERS INSTALLATION

1. **FILTER PACK:** Ships installed in the hood. If the FILTER PACK is not in position, the *CHECK FILTERS* indicator will light. If the FILTER PACK becomes clogged, the *REPLACE FILTER PACK* indicator will glow.

To install the FILTER PACK: Position the filter pack with the charcoal portion UP. Slide the filter pack toward the rear of the unit until it contacts the guides on the back panel. Push the filter pack UP into the upper opening until it rests firmly against the filter pack seal. When up in position, holder clips can be snapped over wall ledge on each side. To remove FILTER PACK: Grasp both holder clips and pull INWARD until the clips clear the sidewall ledge. Then, pull the filter pack down and out.

2. **PRE-FILTER:** The PRE-FILTER ships in the FILTER FRAME. If the PRE-FILTER is not in position, or if the PRE-FILTER is not in the FILTER FRAME, the *CHECK FILTERS* indicator will light. If the PRE-FILTER becomes clogged, the *REPLACE PRE-FILTER* indicator will glow.

To install the PRE-FILTER: Pay attention to the air flow markings. The *AIR FLOW* arrow will point away from the installer. Slide the assembly up into the front opening, behind the upper filter rail. While pressing slightly against the bottom of the assembly, pull the FILTER HANDLE toward you so as to engage the FILTER HOOK over the lip of the top filter rail. Then lower and seat the assembly into the top indentation of the lower filter rail.

3. **GREASE BAFFLE:** If the GREASE BAFFLE is not in place, the *CHECK FILTERS* indicator will glow.

To install the GREASE BAFFLE: Slide the grease baffle up into the indentation of the upper filter rail, then lower and seat it into the bottom indentation of the lower filter rail. Pull toward you and downward to verify the GREASE BAFFLE is properly seated in the lower frame rail.

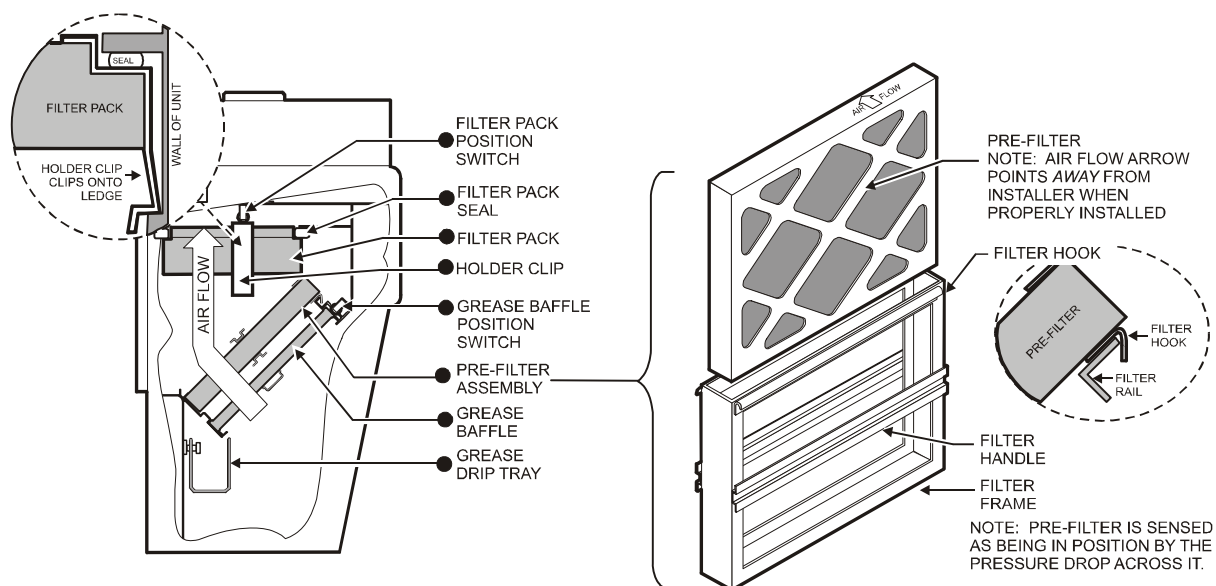


Fig. 7 Filter Installation

GREASE DRIP TRAY INSTALLATION

1. Install the GREASE DRIP TRAY on the hanger brackets, directly below the grease baffle.

INSTALL COOKING APPLIANCE COMPONENTS

1. FRYER COMPONENTS

- a. Raise the fryer ELEMENT HEAD and install FRYPOT.
- b. Using the BASKET RACK as a handle, lift the ELEMENT HEAD slightly. Then rotate the spring-loaded SUPPORT ROD forward. Lower the ELEMENT HEAD into the FRYPOT.
- c. Hang the FRYER BASKETS on the BASKET RACK.

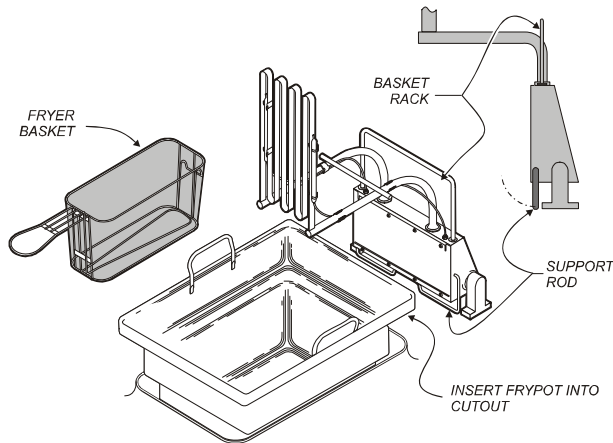


Fig. 8 Fryer Component Installation

2. If appliance is equipped with the optional warmer drawers:

- a. Be sure roller catches (inside warmer cavity) are in the open position. Install drawer assemblies in drawer slides.
- b. Place appropriate one drawer insert pan into each warmer drawer.
- c. If used, place one Humitrol rack into each drawer pan.

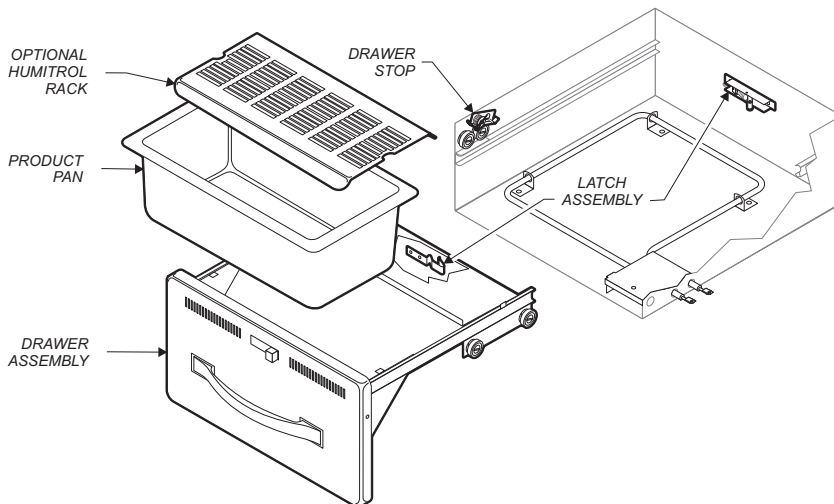


Fig. 9 Roll Warmer Drawer Pan Installation



**CAUTION:
BURN HAZARD**

**DO NOT OPERATE UNLESS
THE GREASE DRIP TRAY
IS INSTALLED.**



Moisture will drip into the hot cooking surface causing splattering of hot liquids. Serious injury can result from contact with hot splatter.

OPERATION



CAUTION: HOT SURFACE

Exposed surfaces can be hot to the touch and may cause burns.

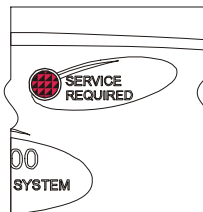
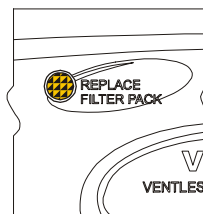
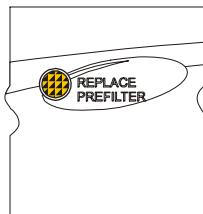
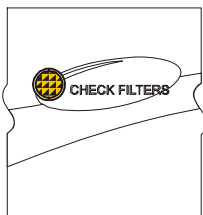
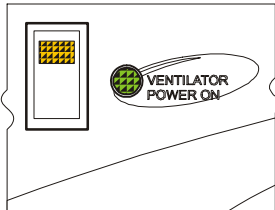


Fig. 10 Ventilator Indicator and Warning Lights

VENTILATOR OPERATION

1. Press the VENTILATOR POWER switch to ON. The green VENTILATOR POWER light will glow and the blower fan will start. After a short time, if all filters are sensed as being in position and not clogged, the cooking appliance will be energized. During normal operation, the VENTILATOR POWER light will be the only light glowing on the upper control panel.
2. If the amber CHECK FILTER light glows, one or more filter elements is out of position. Check the GREASE BAFFLE, PRE-FILTER and FILTER PACK for proper installation in their respective positions. Grease baffle and filter pack position are sensed by mechanical switches. Pre-filter position is sensed by a vacuum switch.
3. When the amber REPLACE PRE-FILTER light glows, the pre-filter is nearing the end of its service life. Replace the disposable PRE-FILTER ELEMENT.
4. When the amber REPLACE FILTER PACK light illuminates, the HEPA / Charcoal filter pack is nearing the end of its service life. Replace the FILTER PACK.

Note: The REPLACE PRE-FILTER and REPLACE FILTER PACK lights are a warning that the indicated filter is near the end of its service life. The appliance will continue to operate for a period of time after the light glows to allow continued operation through a peak period. However, the indicated filters must be replaced within a reasonably short time period or they will clog and shut down electrical power to the cooking appliance. The ventilator blower will continue to run.

5. When the red SERVICE REQUIRED light glows, either the pre-filter or filter pack (or both) is clogged and can no longer pass sufficient air to allow further operation. The ventilator fan continues to run, but the cooking appliance is shut down until the underlying clogged filter situation has been corrected. This can occur when neither CHANGE...FILTER indicator light is lit, if both pre-filter and filter pack are marginal. Replacing both the pre-filter and the filter pack will remedy the situation.

Note: Replacing the pre-filter, even though not very dirty, will often extend the service life of the more expensive filter pack.

Reset the unit by turning the VENTILATOR POWER switch to OFF, then back ON.

6. A failure of incoming electrical power will cause a shut down of the unit. After power is restored, reset the unit by turning the VENTILATOR POWER switch to OFF, then back ON.

NOTE: Griddle and fryer will not operate unless the fire suppression system is charged, and the ventilator section is operating.

GRIDDLE OPERATION

PREPARING THE GRIDDLE SURFACE

1. SEASONING STANDARD GRIDDLES

As manufactured, the steel surface of your Wells griddle has microscopic pores. It is important to fill these pores with oil in order to provide a hard, non-stick cooking surface.

- a. Preheat the griddle surface to 375°F (191°C).
- b. Spread a light film of cooking oil over the entire griddle surface
- c. Allow the oil film to cook in for approximately 2 minutes, or until it smokes.
- d. Wipe the griddle surface with a clean damp cloth until all oil is removed.
- e. For new griddles, repeat this procedure 2-3 times until the griddle has a slick, clean surface.

2. CHROME PLATED GRIDDLES

Because the microscopic pores in the griddle surface are filled by the chrome plating, no seasoning of the griddle surface is required.

- a. Thoroughly clean the griddle surface using a soft clean cloth and a small amount of mild detergent.
- b. Rinse and dry thoroughly after cleaning.
- c. The griddle is now ready to use.

USING THE GRIDDLE

1. Turn the temperature control knob to the desired temperature. The indicator light will glow while the griddle is heating. When the indicator light first goes out, the griddle is ready to use.
2. For standard griddles, keep the griddle surface clean and well oiled during use. Scrape cooking waste into the grease tray frequently during use. Occasionally brush or spray a light coat of cooking oil on the griddle surface in order to maintain the non-stick surface.
3. For chrome plated griddles, scrape cooking waste into the grease tray after preparing each order. **DO NOT** bang or tap pots, pans, spatulas or other metal utensils on the griddle surface as this may damage the chrome plating.



CAUTION: HOT SURFACE

Exposed surfaces can be hot to the touch and may cause burns.

NOTE:

Standard griddles must be seasoned after every cleaning.

IMPORTANT:

SCRATCHES WILL DAMAGE THE GRIDDLE SURFACE!

DO NOT use anything on this griddle that could scratch the surface.

DO NOT clean chrome surface with griddle bricks, pumice stone or abrasive cleansers. **DO NOT** bang or tap pots, pans, spatulas or other metal utensils on the griddle surface as this may damage the chrome plating.

OPERATION

FRYER OPERATION



DANGER: BURN HAZARD

Contact with hot oil will cause severe burns.

Always wear protective clothing and heat resistant gloves when operating the fryer.



CAUTION: HOT SURFACE

Exposed surfaces can be hot to the touch and may cause burns.

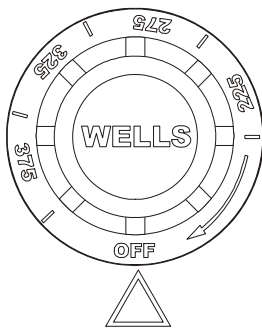


Fig. 3 Temperature Control Knob

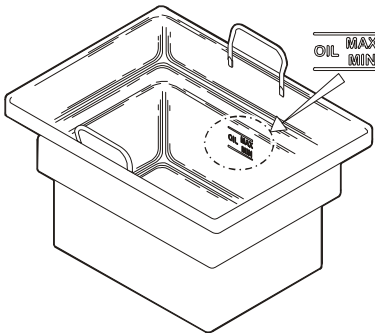


Fig. 4 Oil Level Marking

NOTE: If the oil exceeds a safe temperature, the hi-limit safety will shut down the unit and light the red **TROUBLE** indicator.

To reset:

Allow the oil to cool, then press the red button on the back of the element head until it “clicks” and stays in.

If tripping persists, see Troubleshooting Suggestions, page 26.

1. a. Be sure the TEMPERATURE CONTROL KNOB is turned to **OFF**.
b. Lower the ELEMENT HEAD into the frypot by pushing back on the BASKET SUPPORT ROD, raising the ELEMENT HEAD SUPPORT ROD, then carefully lowering the elements.
2. Fill the FRYPOT with commercial-grade liquid shortening to the MIN OIL line.

Capacity: 15 pounds

IMPORTANT: DO NOT overfill the frypot. Cold oil will expand as it heats. Adding too much oil will allow the frypot to overflow during operation.

For best results, always use top grade commercial shortening made specially for frying. Maintain proper oil level in frypot during operation.

3. Turn the TEMPERATURE CONTROL KNOB to the desired temperature. The HEAT INDICATOR will glow. When the oil reaches the desired temperature, the heat indicator will go out. The heat indicator will go off and on during operation as the thermostat cycles to maintain temperature.

For best results: DO NOT set temperature control to a temperature setting higher than is required for the food product.

4. Load either or both baskets no more than 1/2 full with food product.
 - a. DO NOT overload fry baskets. For best results, load baskets uniformly to half full.
 - b. Using the basket handle, lower the baskets into the hot oil.
 - c. When food is cooked, lift the basket out of the oil by the handle. Hang the baskets on the BASKET SUPPORT ROD to drain.
5. When the heat indicator light cycles off, the fryer is ready to cook the next load.
6. Reduce temperature control to 225°F during idle periods to save power and extend the life of the oil. The fryer will return to operating temperature in just a few minutes when needed.
7. Keep the fryer clean at all times. Rinse baskets frequently, and dry thoroughly, in order to prevent oil contamination.
8. Drain the frypot completely after use. Filter the oil daily, or more often during heavy use.

DRAWER WARMER OPERATION (when provided)

HEATING OPTIONS

1. Moist heat with Humitrol Rack:
 - a. MOIST operation prevents food from drying out as moisture, as well as heat, is applied to the warming chamber.
 - b. To set for MOIST operation, remove Humitrol Rack from bottom of drawer insert pan and carefully pour approximately 2 quarts of water (½" depth) into the pan. Reinstall rack.
 - c. The Humitrol Rack decreases the sloshing effect of the water in the pan when the drawer is opened. When the drawer is closed, the Humitrol Rack allows steam to rise through the stored product in the drawer.
 - d. Place the food directly on the rack. The rack is designed to support the food off of the steam vents, where water droplets may form.
 - e. Check the water level in the pan periodically, and add water when necessary.
 - f. Set the front air vent between fully closed and half-open. Actual setting will depend upon the type and amount of product stored in the drawer, the temperature setting, and the frequency with which the drawer is opened.

2. Moist heat with pans:
 - a. This Wells warmer is designed to accommodate any combination of standard-size, steam table pans.
 - b. Place a small amount of water in drawer pan. Place pans in drawer pan.
 - c. Check the water level in the pan periodically, and add water when necessary.

3. Dry heat:

For some applications, you may want to store previously prepared foods in a dry-heat environment. To do so, place the food directly into the empty (i.e. no water) drawer pan.



**CAUTION:
HOT SURFACE**

Exposed surfaces can be hot to the touch and may cause burns.

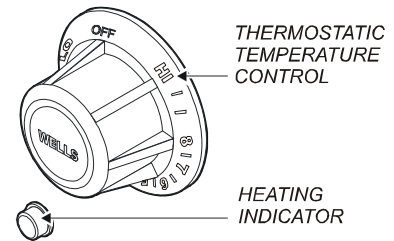


Fig. 9 Roll Warmer Temperature Control

NOTE:

The chart below is intended as a guide ONLY. Your own experience with this appliance, type of foods and method of operation will enable you to determine the temperature control and air vent settings best suited to your operation.

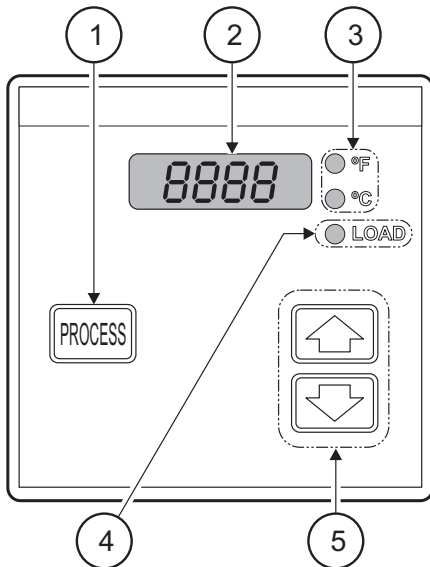
OPERATING CHART FOR DRAWER WARMERS

PRODUCT TYPE	RECOMMENDED STORAGE TEMP.	TYPE OF HEAT	CONTROL SETTING	AIR VENT SETTING
Hard Rolls	160-185°F	Dry	7-8	Closed
Soft Rolls	150-175°F	Moist	6-7	Open - ½
Vegetables	175-185°F	Moist	7-8	Open - ½
Meats	165-185°F	Dry	6-8	Closed
Fish	165-185°F	Moist	6-8	Open
Casseroles	150-175°F	Dry	6-7	Closed
Pies, Desserts	160-185°F	Dry	6-7	Closed
Nachos	150-170°F	Dry	4-6	Full Open
Corn Chips	150-170°F	Dry	4-6	Full Open

do not put water in the pan

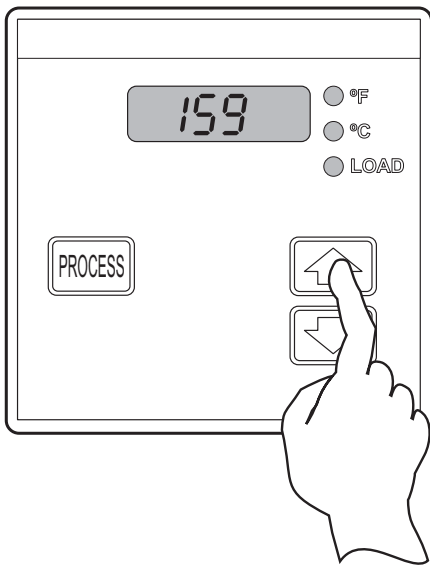
OPERATION (continued)

DRAWER WARMER OPERATION (when provided)



ITEM	DESCRIPTION
1	PROCESS Key: Press to view actual temperature of cavity.
2	4 Character LED Display: Normally shows SETPOINT temperature.
3	°F or °C Indicator: Glow to indicate if unit is configured for degrees Fahrenheit or degrees Celsius.
4	LOAD Indicator: Glow when heating element is energized.
5	Increment and Decrement Keys: Press UP arrow to increase Press DOWN arrow to decrease

RWT- CONTROL MODULE



SET SETPOINT TEMPERATURE

Press an arrow key:

UP arrow to increase

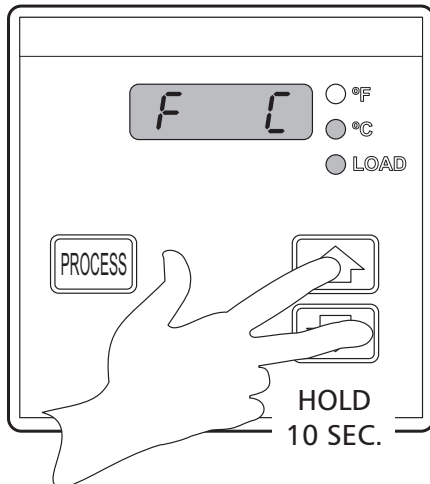
DOWN arrow to decrease

Release key when desired setpoint temperature is displayed.

Reading is locked into memory 3 seconds after last key stroke.

Minimum setpoint is 140°F (60°C)

Maximum setpoint is 250°F (121°C)



CHANGE DISPLAY MODE (°F or °C)

Press and hold UP arrow and DOWN arrow keys for 10 seconds.

Release keys when display reads F C.

Within 3 seconds, press UP arrow or DOWN arrow key until desired indicator (°F or °C) glows.

The new value will lock into memory 3 seconds after last keystroke.

CLEANING INSTRUCTIONS

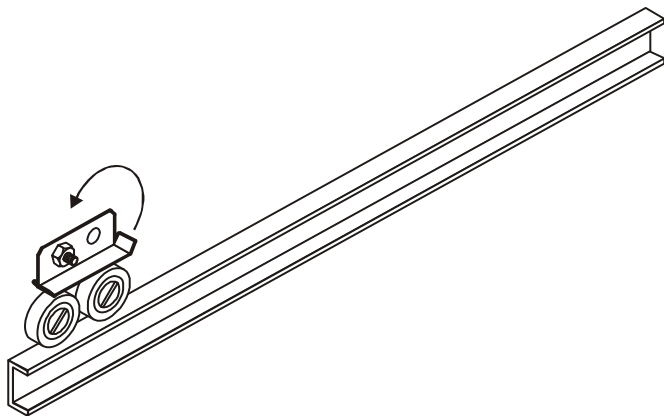
DRAWER WARMER CLEANING INSTRUCTIONS

PRECAUTIONS: Turn control knob to OFF.
Allow drawers to cool before proceeding.
Remove drawer pans and Humitrol racks.

FREQUENCY: Minimum -Daily

TOOLS: Warm water and mild detergent
Clean cloth or sponge

1. Remove drawers from warmer:
 - a. Pull warmer drawer out until fully extended.
 - b. Slide finger along left and right slide rail until you reach the latches (located at the front end of the cabinet-mounted rails)
Press down on both left and right latch.
 - c. Pull drawer away from warmer.



2. Clean drawers, drawer pans, Humitrol Racks and/or insets with warm water and mild detergent.
Rinse all components thoroughly with clear water.
Dry all components prior to reinstalling them in warmer.
3. Sweep crumbs and other debris from warmer cavity.
4. Clean the outside of the unit by wiping with a clean cloth or sponge, warm water and mild detergent. Dry with a clean cloth, then wipe with a polish formulated for stainless steel.
5. It is important to keep the slide rails clear and free from debris. Periodic cleaning of the slide rails and other adjoining parts is necessary to assure smooth drawer operation.
6. Check drawer rollers. Be sure they roll freely and that the slide rails are free from debris.
7. Be sure cabinet-mounted drawer catch roller is “up”, then re-install drawers.



**CAUTION:
ELECTRIC
SHOCK HAZARD**

Disconnect appliance from electric power before cleaning.



**CAUTION:
HOT SURFACE**

Exposed surfaces can be hot to the touch and may cause burns. Allow appliance to cool before cleaning.

CLEANING INSTRUCTIONS (continued)



**CAUTION:
ELECTRIC
SHOCK HAZARD**

Disconnect appliance from electric power before cleaning.



**CAUTION:
HOT SURFACE**

Exposed surfaces can be hot to the touch and may cause burns. Allow appliance to cool before cleaning.

IMPORTANT:

Never allow PRE-FILTER or FILTER PACK to get wet. DO NOT wash either of these two filters. Washing these filters will ruin them and cause the appliance to shut-down.

IMPORTANT:

DO NOT spill or pour water into controls, control panel, wiring or coil-type hotplate elements. Damage to internal components will occur. Damage to internal components from water damage is **not** covered by warranty.

IMPORTANT:

DO NOT use steel wool or metal implements to clean cabinet surfaces.

VENTILATOR WEEKLY CLEANING

PREPARATION: Disconnect appliance from electric power
Allow to cool before cleaning

FREQUENCY: Weekly

TOOLS: Warm water and a mild detergent
Soft clean cloth or sponge
Bristle brush
Container for disposal of grease

1. Remove the grease baffle, pre-filter assembly, grease trough and grease cup. Empty the grease trough and grease cup.
2. Remove the pre-filter from the filter frame. Wash and rinse the filter frame **ONLY**.
3. Wash and rinse the grease baffle, grease trough and grease cup in a sink or dishwasher using mild detergent and warm water. Allow to air dry.
4. Reinsert the pre-filter into the filter frame. Reinstall the pre-filter, grease baffle, grease trough and grease cup.

Procedure is complete

CLEANING INSTRUCTIONS (continued)

VENTILATOR MONTHLY CLEANING

PREPARATION: Disconnect appliance from electric power
Allow to cool before cleaning

FREQUENCY: Monthly

TOOLS: Warm water and a mild detergent
Soft clean cloth or sponge
Plastic scouring pad, plastic scraper
Container for disposal of grease



**CAUTION:
ELECTRIC
SHOCK HAZARD**

Disconnect appliance from electric power before cleaning.



**CAUTION:
HOT SURFACE**

Exposed surfaces can be hot to the touch and may cause burns. Allow appliance to cool before cleaning.

EXTERIOR

Wash exterior surfaces with a soft clean cloth or sponge dampened with warm water, mild soap or detergent. Rinse with a soft clean cloth or sponge dampened with warm water. Allow to air dry.

INTERIOR:

In addition to the weekly cleaning procedure, remove the filter pack.

Cover the griddle section. Wash the interior surfaces of the ventilator with warm water, mild soap or detergent and a clean, soft cloth or sponge. Stubborn or burned-on food debris may be removed with a plastic scouring pad or plastic scraper.

Dry thoroughly with a clean soft cloth.

Uncover the griddle and reassemble the ventilator.

Procedure is complete.

IMPORTANT:

Never allow PRE-FILTER or FILTER PACK to get wet. DO NOT wash either of these two filters. Washing these filters will ruin them and cause the appliance to shut-down.

IMPORTANT:

DO NOT spill or pour water into controls, control panel, wiring or coil-type hotplate elements. Damage to internal components will occur. Damage to internal components from water damage is **not** covered by warranty.

IMPORTANT:

DO NOT use steel wool or metal implements to clean cabinet surfaces.

CLEANING INSTRUCTIONS (continued)



CAUTION: HOT SURFACE

Exposed surfaces can be hot to the touch and may cause burns.



CAUTION: ELECTRIC SHOCK HAZARD

DO NOT splash or pour water onto control panel or wiring.



CAUTION: HEAT AND SMOKE HAZARD

Keep the ventilator fan running during any "hot surface" cleaning operation to avoid a build-up of heat and/or smoke.

IMPORTANT: Avoid Fire Suppression System discharge!

Keep the ventilator fan running during any "hot surface" cleaning operation to avoid melting a fusible link and causing a discharge of the fire suppression media.

GRIDDLE CLEANING INSTRUCTIONS

PRECAUTIONS Griddle surfaces are HOT. Wear appropriate heat protective gloves, apron and goggles

FREQUENCY As Noted

TOOLS Scraper, Pumice Stone or Griddle Brick
Clean Cooking Oil
Mild Detergent, Soft Cloth or Sponge
Plastic Scouring Pad

1. To keep the griddle clean and food flavors at their best, scrape the griddle after preparing each order. Scrape excess food into the waste hole in the grease trough (front of the griddle cooking surface). After each 2 - 3 orders, wipe the griddle surface with a light coat of oil.
2. Clean the griddle surface daily, at a minimum:
 - a. Keep the ventilator fan **ON**.
 - b. Set griddle temperature control to 220°F. Allow the griddle temperature to drop to 220°F before proceeding.
 - c. Pour a small amount of water on the griddle surface and let it "sizzle".
 - d. Use a pumice stone or griddle brick to remove all remaining waste, and to clean the griddle surface down to bright metal. Wipe off any remaining powder residue.
 - e. Use a soft-bristled fiber brush in a circular motion to remove any remaining food particles.
 - f. Turn temperature control to **OFF**. Allow the griddle surface to cool, then wipe the surface with a clean cloth.
 - g. Dry the griddle surface thoroughly.
 - h. Season the cooking surface after each cleaning using the instructions on page 10.
3. At least once each day, the GREASE TROUGH must be thoroughly cleaned. Using a scraper, remove all grease and food waste from the grease trough and into the grease drawer.
4. After scraping all cooking waste from grease trough into GREASE DRAWER, take the grease drawer to kitchen cleaning area and properly dispose of all waste.
 - a. Clean drawer with hot water and a mild detergent.
 - b. Dry drawer thoroughly and reinstall in griddle.
5. GRIDDLE EXTERIOR:
 - a. Wipe down splash guards, griddle body and the grease trough with a cloth dampened with warm water and a mild detergent.
 - b. A plastic scouring pad and a non-abrasive cleanser may be used for hard-to-remove food particles.
 - c. Rinse thoroughly with clean water. DO NOT splash or pour water onto control panel or wiring.
 - d. Dry griddle with a soft, clean cloth.

CLEANING INSTRUCTIONS (continued)

FRYER SECTION CLEANING INSTRUCTIONS



DANGER: BURN HAZARD

Contact with hot oil will cause severe burns. Allow the fryer to cool before cleaning. Always wear protective clothing and heat resistant gloves when cleaning the fryer.

PREPARATION

Turn fryer switch and temperature control *OFF*
Allow fryer to cool completely before cleaning
Disconnect fryer from electric power before cleaning



CAUTION: ELECTRIC SHOCK HAZARD

Disconnect fryer from electric power before cleaning.

FREQUENCY

Daily, or as needed

TOOLS

Mild Detergent, Non-abrasive cleanser
Soft Cloth or Sponge, Plastic Scouring Pad
Container for disposal of used oil.



CAUTION: BURN HAZARD

Allow fryer to cool completely before cleaning.

CLEANING

1. Turn fryer switch and temperature control *OFF*. Disconnect the appliance from electric power.
2. Remove fry baskets, then swing the element head up and out of the frypot.
NOTE: The element support rod is spring-loaded. When the element head is raised, the support rod will automatically swing into position to keep the element head raised.
3. Allow the oil to cool to a safe temperature (120°F or less). Carefully remove the frypot: wearing heat-resistant gloves, lift the frypot by the handles. Drain the oil into a suitable container.
4. Frypot and baskets may be washed in a dishwasher, or with warm water and mild detergent. Rinse thoroughly and dry completely.
5. Wipe/brush all crumbs, breading and cooking debris from elements. Pay particular attention to the area between the element and the thermobulbs. Be careful that the capillary tubes of the thermobulbs are not moved or damaged during cleaning.
6. Keep all exterior surfaces free from splashed grease by wiping with a clean cloth dampened with warm water and mild detergent. A non-abrasive detergent and plastic scouring pad may be used for stubborn deposits.



CAUTION: SHOCK HAZARD

Do not submerge fryer in water.

IMPORTANT: DO NOT use steel wool or abrasive cleansers as these will damage the surface finish.

IMPORTANT: DO NOT submerge fryer in water. DO NOT spill or pour water into controls, control panel or wiring. Damage to internal components will occur.

7. Be certain frypot is completely dry, then reinstall in fryer.
 - a. Be sure the TEMPERATURE CONTROL KNOB is turned to *OFF*, then plug unit into receptacle.
 - b. Lower the ELEMENT HEAD into the frypot by pushing back on the ELEMENT LIFTING HANDLE, raising the SUPPORT ROD, then carefully lowering the elements.
 - c. Add new or filtered oil to the MIN OIL line in frypot

IMPORTANT: DO NOT spill or pour water into controls, control panel or wiring.

DO NOT submerge fryer in water. Damage to internal components will occur. Damage to internal components from water damage is **not** covered by warranty.

IMPORTANT: DO NOT use steel wool or abrasive cleansers for cleaning the fryer cabinet or frypot.

To remove carbonization from frypot and element, see *PERIODIC CLEANING* on page 25.

IMPORTANT:
Nickel plated frypot must be dried completely in order to prevent rusting, and to eliminate water contamination of the cooking oil.

Procedure is complete.

MAINTENANCE INSTRUCTIONS

FRYER - DISPOSAL OF USED OIL



DANGER: BURN HAZARD

Contact with hot oil will cause severe burns. Allow the fryer to cool before cleaning. Always wear protective clothing and heat resistant gloves when handling hot oil.



CAUTION: BURN HAZARD

Allow fryer to cool completely before draining.

PREPARATION

Turn temperature control to *OFF*
Allow fryer to cool completely before draining

FREQUENCY

Daily, or as needed

TOOLS

Container for disposal of used oil.



CAUTION: SLIP AND FALL HAZARD

Clean up oil spills immediately. Slipping in oil can cause injury.

OIL DISPOSAL

1. Turn temperature control to *OFF*.
2. Allow the oil to cool to a safe temperature (120°F or 50°C).
3. Raise the element head and lift the frypot out of the fryer by the frypot handles.
4. Dispose of the used oil in an approved oil disposal receptacle, or filter the oil for reuse.
5. Wipe the frypot and reinstall in the fryer.



CAUTION: HEALTH HAZARD

Clean up oil spills immediately. Oil provides an environment for the growth of bacteria, which presents a health hazard.

Procedure is complete.

FRYER - PERIODIC CLEANING

Empty frypot and performing cleaning procedure as described on page 21.

Add 1/2 cup of granulated dishwasher detergent to frypot. Fill with water to the MAX OIL line.

Lower the element into the frypot and set the control knob to 225°F

Boil the mixture for five minutes. Turn the control knob to OFF. Allow the mixture to set in the frypot overnight.

After the soak period, raise the elements and remove any remaining carbonization with a stiff bristle brush. Be careful that the capillary tubes of the thermobulbs are not moved or damaged during cleaning.

Drain the frypot and wash with warm water and mild detergent.

Reinstall the frypot in the fryer. Add 1 quart of vinegar, then fill to the MAX OIL line with cold water.

Lower the elements into the vinegar solution. Allow to set for 15 minutes.

Drain the frypot and rinse with clean water. Dry the frypot and elements thoroughly before returning the fryer to operation.

IMPORTANT: Nickel plated frypot must be dried completely in order to prevent rusting, and to eliminate water contamination of the cooking oil.

Periodic cleaning is necessary to remove carbonization from the elements and frypot.

Frypot may be cleaned by the method described at right, or with a commercial frypot cleaner. Be sure to follow the manufacturer's directions.

Before cleaning, ALWAYS:

- Disconnect the fryer from electrical power and allow to cool.
- Drain the oil and wipe out the frypot.

MAINTENANCE INSTRUCTIONS

CAUTION: SHOCK HAZARD

Disconnect appliance from electric power before cleaning.



CAUTION: HOT SURFACE

Exposed surfaces can be hot to the touch and may cause burns. Allow appliance to cool before servicing.

ADJUSTMENTS AND LUBRICATION

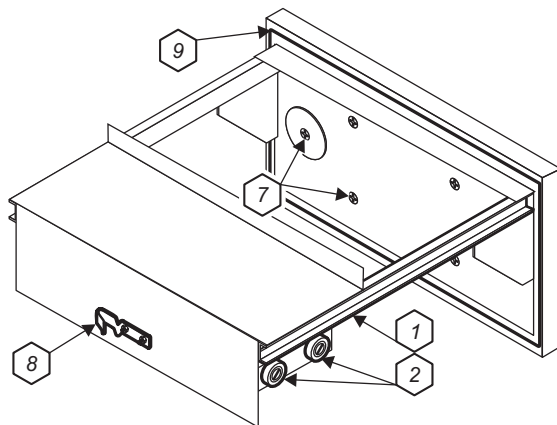
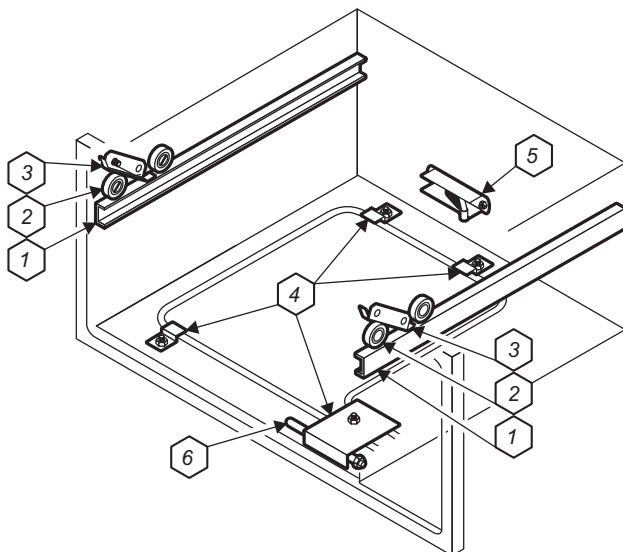
PRECAUTIONS: Turn control knob to OFF. Unplug warmer. Allow drawers to cool before proceeding. Remove drawer pans and Humitrol racks.

FREQUENCY: Minimum - monthly. Every 2 weeks recommended.

TOOLS: Screwdrivers, Phillips (+) and flat blade (-). Nut drivers, 3/8" and 7/16". Food-grade lubricant.

1. Check slides on cabinet and drawers for cleanliness.
2. Check all rollers on cabinet and drawers for cleanliness and tightness. Lubricate.
3. Check cabinet drawer stops for operation. Stops must "snap" down positively. Clean and adjust as required.
4. Check cabinet heating element fasteners for tightness.
5. Check all cabinet drawer catches for tightness and operation. Lubricate. Be certain roller is "out" before attempting to install drawer.
6. Check thermostat thermobulb and capillary tube for condition. Thermobulb must be securely mounted in the appropriate holder. Arrange repairs for damaged thermobulb or capillary tube.
7. Check drawer faceplate and handle fasteners for tightness.
8. Check drawer catch clip for tightness.
9. For drawers equipped with gaskets, examine condition of gasket. Arrange repairs for torn or damaged gaskets.
10. Reinstall drawers and check for proper operation.

Procedure is complete.



TROUBLESHOOTING SUGGESTIONS

SYMPTOM	POSSIBLE CAUSE	RECOMMENDED REMEDY
No power to unit	Not plugged in or circuit breaker tripped	Plug unit into power receptacle Reset circuit breaker
Cooking appliances not energized	Filters not properly installed (CHECK FILTERS lit)	Install filters properly
	Filters expended (SERVICE REQUIRED lit)	Replace filters
	Ansul® system discharged or not cocked. (Buzzer sounds)	Contact Ansul® Distributor for service.
	Internal damage	Contact Authorized Wells Service Agent for repairs.
Fryer (only) will not heat	Fryer Power Switch not <i>ON</i>	Press Fryer Power Switch to <i>ON</i>
	Fryer Temperature Control not set	Set Fryer Temperature Control to desired temperature.
	Internal damage	Contact Authorized Wells Service Agent for repairs.
Griddle (only) will not heat	Griddle Temperature Control not set	Set Griddle Temperature Control to desired temperature
	Internal damage	Contact Authorized Wells Service Agent for repairs.
Warmer Drawer will not heat	Drawer Temperature Control not set	Set Drawer Temperature Control to desired temperature
	Internal damage	Contact Authorized Wells Service Agent for repairs.
Fryer trips Hi-Limit Safety of oil temperature fluctuated greatly	Element needs cleaning	Circulation of oil around thermobulbs required for proper operation. See page 21 for cleaning instructions.

MAINTENANCE SCHEDULES

USE AND MAINTENANCE SHALL BE IN ACCORDANCE WITH THE *STANDARD FOR VENTILATION CONTROL AND FIRE PROTECTION OF COMMERCIAL COOKING OPERATIONS*, N.F.P.A. 17A & N.F.P.A. 96 (current editions).



FAILURE TO PROPERLY CLEAN AND MAINTAIN THIS EQUIPMENT CAN CAUSE A FIRE. AN UNCONTROLLED FIRE CAN CAUSE SERIOUS INJURY, DEATH AND/OR PROPERTY LOSS.

NOTE: A signed and dated VENTILATOR HOOD MAINTENANCE LOG must be maintained on the premises, and shall be available for inspection by the authority having jurisdiction. See pages 26 & 27.

IMPORTANT: Parts used for the Ansul® fire suppression system are not serviceable by the owner / operator. Procedures for servicing fire suppression equipment are described in: *ANSUL® R-102 SYSTEM DESIGN, INSTALLATION, RECHARGE AND MAINTENANCE MANUAL* (Ansul® #418087-05).

1. 6-MONTH MAINTENANCE (MUST BE PERFORMED BY AN AUTHORIZED ANSUL® DISTRIBUTOR ONLY):

- a. Inspect and test total operation including FIRE DAMPER and all SAFETY INTERLOCKS.
- b. All FIRE SUPPRESSION SYSTEM actuation components including MANUAL PULL STATION and any REMOTE MANUAL PULL STATION must be inspected for proper operation in accordance with the maintenance schedule published in *ANSUL® R-102 SYSTEM DESIGN, INSTALLATION, RECHARGE AND MAINTENANCE MANUAL* (Ansul® #418087-05).
- c. The FIRE SUPPRESSION SYSTEM FUSIBLE LINKS must be inspected. NOZZLES and MANUAL PULL STATION must be cleaned in accordance with *ANSUL® R-102 SYSTEM DESIGN, INSTALLATION, RECHARGE AND MAINTENANCE MANUAL* (Ansul® #418087-05).
- d. The FIRE SUPPRESSION AGENT TANK, PIPING and FLEXIBLE TUBING must be INSPECTED.

2. 12-YEAR MAINTENANCE: (MUST BE PERFORMED BY AN AUTHORIZED ANSUL® DISTRIBUTOR ONLY):

- a. The FIRE SUPPRESSION AGENT TANK and ¼" FLEX HOSE must be HYDROSTATICALLY TESTED, and the FIRE EXTINGUISHING AGENT must be REPLACED in accordance with the maintenance schedule published in *ANSUL® R-102 SYSTEM (STANDARD UL 300 LISTED)*.
- b. The FUSIBLE LINKS in plenum and damper must be REPLACED. This maintenance to be performed by qualified **Ansul®** service personnel only.

Inspection shall be conducted on a monthly basis in accordance with the manufacturer's Operation Manual. At a minimum, this inspection shall include verification of the following:

WELLS BLOOMFIELD, LLC
VENTILATOR HOOD OWNERS MONTHLY INSPECTION LOG

OPERATION	AGENT / DATE											
Extinguishing system components: In proper place and (visually) in good order												
Manual pull station actuators for fire suppression system are unobstructed												
The maintenance log is in place and up to date												
No obvious physical damage or condition exists that might prevent operation of the fire suppression system												
The nozzle blow-off caps are in place and in good condition												
The hood, duct and protected cooking appliance have not been replaced, modified or relocated												
Clean plenum GREASE BAFFLE and BLOWER (max. interval: 3 months)												
Change PRE-FILTER and FILTER PACK (as required)												

This MAINTENANCE LOG is to be performed and completed by a trained technician who has completed the instruction necessary to perform the maintenance and recharge service.

WELLS BLOOMFIELD, LLC
VENTILATOR HOOD MAINTENANCE LOG

OPERATION	AGENT / DATE											
Clean and inspect discharge nozzle in plenum BEFORE filters Max. interval: 6 months												
Clean and inspect discharge nozzle in plenum AFTER filters Max. interval: 6 months												
Inspect fire suppression fuse links, all releasing devices for actuation, fire suppressant tank liquid level Max interval: 6 months (discharge of fire suppressant not a part of this test)												
Inspect fire suppression hoses, plumbing and tank for obstructions and any conditions such as, but not limited to, corrosion and pitting. Max. interval: 6 months												
Inspect and test all filter interlocks Max. interval: 6 months												
Replace two (2) fire suppression links at cooking appliance: each link is rated @ 212°F												
	Log TEMP											
Max interval: 12 months												
	Log Mfg DATE Stamp											
Replace fire damper fusible link: rated @ 280°F												
	Log TEMP											
Max interval: 12 months												
	Log Mfg DATE Stamp											

THIS MAINTENANCE LOG MUST BE KEPT IN A PROTECTIVE COVER PERMANENTLY ATTACHED TO THE APPLIANCE
Log all repairs and recommendations on reverse side. Any repairs, other than replacement of factory authorized parts, to the fire suppression plumbing system must be subject to hydrostatic pressure testing.

ANSULEX Low pH
QUICK IDENTIFIER (In Plant Common Name)

Manufacturer's Name:	ANSUL INCORPORATED	Emergency Telephone No.:	CHEMTREC (800) 424-9300 or (703) 527-3887
Address:	One Stanton Street, Marinette, WI 54143-2542	Other Information Calls:	(715) 735-7411
Prepared By:	Safety and Health Department	Date Prepared:	February 1, 1999

SECTION 1 - IDENTITY

Common Name (Used on Label): (Trade Name and Synonyms)	ANSULEX Low pH Liquid Fire Suppressant	CAS No.:	N/A
Chemical Name:	N/A This is a Mixture	Chemical Family:	Mixture
Formula:	N/A		

SECTION 2 - INGREDIENTS

PART A - HAZARDOUS INGREDIENTS				
Principal Hazardous Component(s) (chemical and common name(s)):	Wt.%	CAS No.	ACGIH TLV	Acute Toxicity Data
None	N/A	N/A	N/A	N/A
PART B - OTHER INGREDIENTS				
Other Component(s) (chemical and common name(s)):	Wt.%	CAS No.	ACGIH TLV	Acute Toxicity Data
Proprietary Mixture of Organic and Inorganic Salts	48.0 - 50.0	N/A	N/E	NDA
Phosphoric Acid	0.2	7664-38-2	N/E	NDA
EDTA	0.65	64--02-8	N/E	NDA
Yellow-Green Fluorescent Dye	0.011	518-47-8	N/E	Oral LD ₅₀ (rat) 6800 mg/kg
Water	Approx. 50.0	7732-18-5	N/E	NDA

SECTION 3 - PHYSICAL AND CHEMICAL CHARACTERISTICS (Fire and Explosion Data)

Boiling Point:	113°C	Specific Gravity (H ₂ O=1):	1.33	Vapor Pressure (mm Hg):	Not Determined
Percent Volatile by Volume (%):	Approx. 50.0	Vapor Density: (Air = 1):	1.03	Evaporation Rate: (Butyl Acetate=1):	Approx. 0.005
Solubility in Water:	100%	Reactivity in Water:	Mild exothermic reaction		
Appearance and Odor:	Fluorescent Yellow Colored Liquid, Mild Odor				
Flash Point:	None to boiling	Flammable Limits in Air % by Volume:	N/A	Extinguisher Media:	N/A
				Auto-Ignition Temperature:	N/A
Special Fire Fighting Procedures:	NONE - THIS IS AN EXTINGUISHING AGENT				
Unusual Fire and Explosion Hazards:	None				

SECTION 4 - PHYSICAL HAZARDS

Stability:	Unstable <input type="checkbox"/> Stable <input checked="" type="checkbox"/>	Conditions to Avoid:	N/A
Incompatibility (Materials to Avoid):	Reactive Metals, ClF ₃ , electrically energized equipment, any material reactive with water.		
Hazardous Decomposition Products:	Not established, acrid fumes.		
Hazardous Polymerization:	May Occur <input type="checkbox"/> Will Not Occur <input checked="" type="checkbox"/>	Conditions to Avoid:	N/A

SECTION 5 - HEALTH HAZARDS

ANSULEX Low pH (continued)

Threshold Limit Value:	None Established		
Routes of Entry: Eye Contact:	Irritant		
Skin Contact:	Irritant		
Inhalation:	Not an expected route of entry. Can be irritating to mucous membranes.		
Ingestion:	Irritating to mucous membranes. Acute Oral LD ₅₀ (Sprague-Dawley rats) 825.5mg/kg.		
Signs and Symptoms:	Acute Exposure: Material irritates skin, eyes, and mucous membranes. Chronic Exposure: None known.		
Medical Conditions Generally Aggravated by Exposure:	None known.		
Chemical Listed as Carcinogen or Potential:	National Toxicology Program: Yes <input type="checkbox"/> No <input checked="" type="checkbox"/>	I.A.R.C Monographs: Yes <input type="checkbox"/> No <input checked="" type="checkbox"/>	OSHA Yes <input type="checkbox"/> No <input checked="" type="checkbox"/>

SECTION 6 - EMERGENCY AND FIRST AID PROCEDURES

Eye Contact:	Flush and irrigate with water for 15 minutes while holding eyelids open. If irritation persists, seek medical attention.
Skin Contact:	Wash thoroughly with soap and water. If irritation persists, seek medical attention.
Inhalation:	Fresh air if symptoms occur. If irritation persists, seek medical attention.
Ingestion:	Dilute by drinking large quantities of water.

SECTION 7 - SPECIAL PROTECTION INFORMATION

Respiratory Protection (Specify Type):	N/A		
Ventilation:	Local Exhaust: N/A	Mechanical (General):	N/A
Protective Gloves:	Rubber gloves for spill/leak	Eye Protection:	Chemical goggles recommended during spill/leak procedures.
Other Protective Clothing or Equipment:	Eye wash and safety showers are good safety practice.		

SECTION 8 - SPECIAL PRECAUTIONS AND SPILL/LEAK PROCEDURES

Precautions to be taken in Handling and Storage:	Store in original container. Keep tightly closed. Keep separate from acid.
Other Precautions:	See incompatibility information in Section 4.
Steps to be taken in Case Material is Released or Spilled:	Stop leaks. Contain spills. Remove as much as possible. Place in closed container for proper disposal. Wash spill area with large amounts of water to remove traces and neutralize.
Waste Disposal Methods:	Dispose of in compliance with local, state and federal regulations.

HAZARDOUS MATERIAL IDENTIFICATION SYSTEM

HAZARD INDEX	
4 SEVERE HAZARD	0 HEALTH
3 SERIOUS HAZARD	
2 MODERATE HAZARD	0 FLAMMABILITY
1 SLIGHT HAZARD	
0 MINIMAL HAZARD	0 REACTIVITY

N/A = Not Applicable NDA = No Data Available N/E = Not Established

ANSUL and ANSULEX are registered trademarks.

Internet Address: <http://www.ansul.com>

ANSUL INCORPORATED, ONE STANTON STREET, MARINETTE, WI 54143-2542

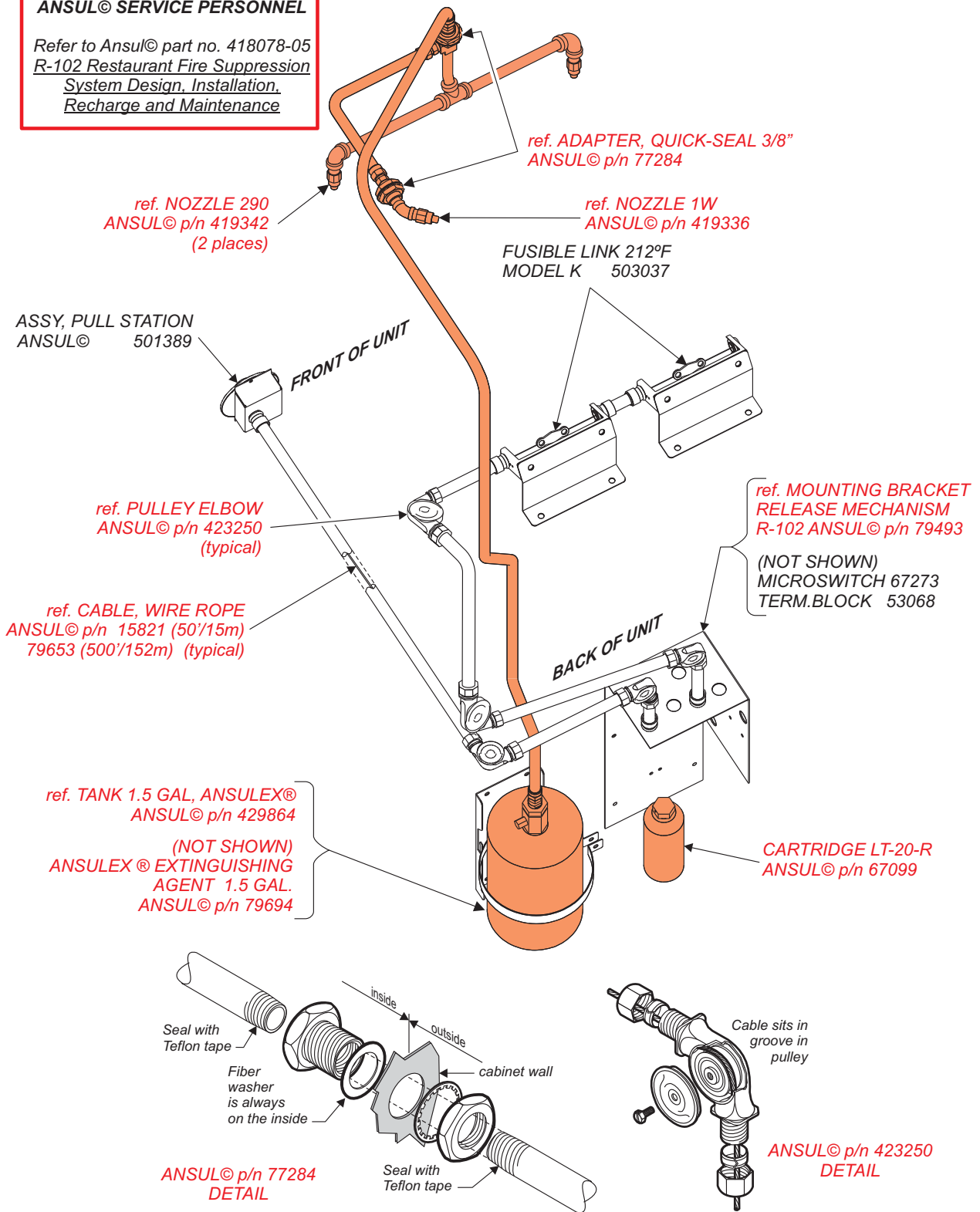
Form No. F-90160-6

©1999 Ansul Incorporated

ANSUL® FIRE SUPPRESSION SYSTEM COMPONENTS

**FOR USE ONLY BY AUTHORIZED
ANSUL® SERVICE PERSONNEL**

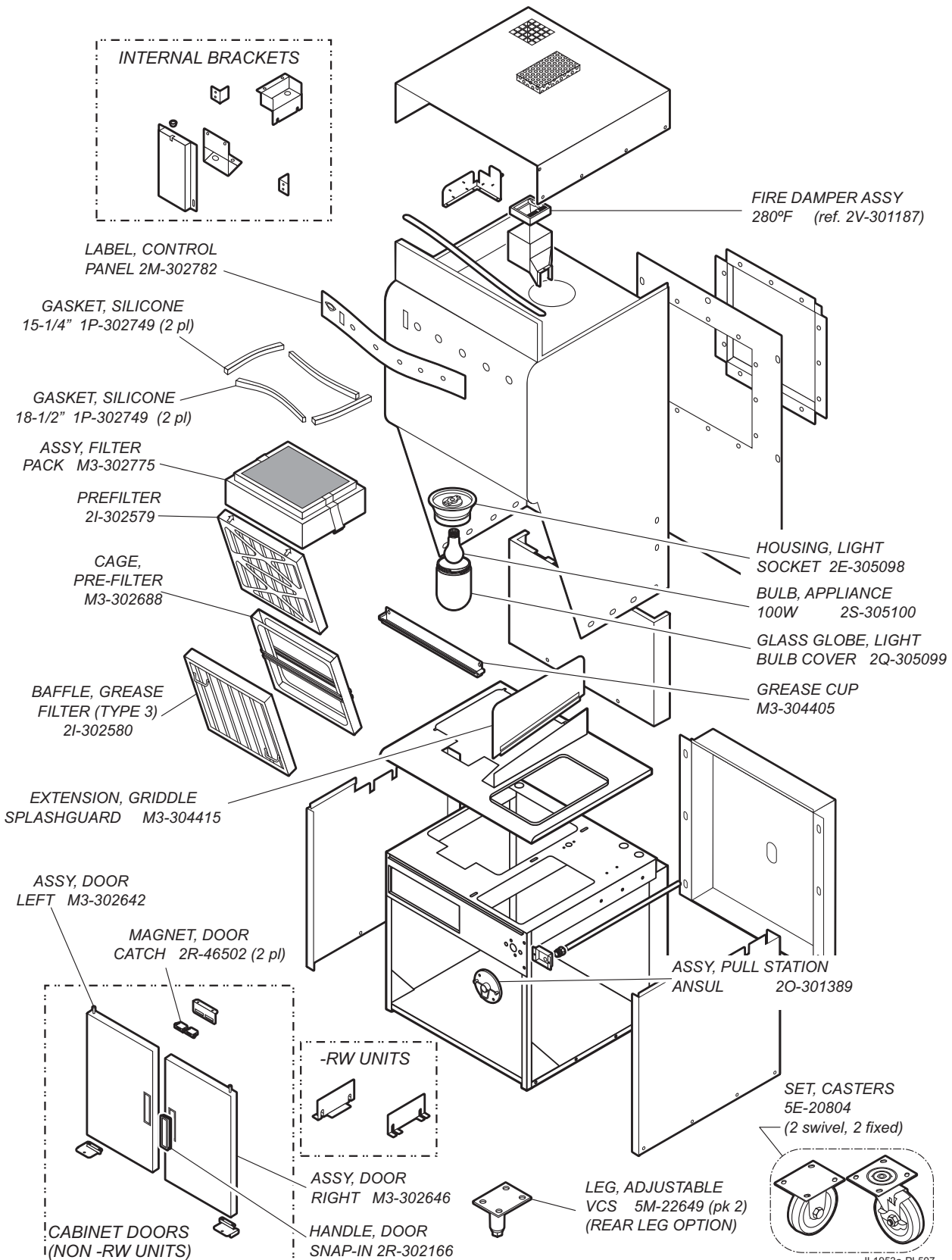
Refer to Ansul® part no. 418078-05
R-102 Restaurant Fire Suppression
System Design, Installation,
Recharge and Maintenance



2M-Z21776 Service Manual WV-FG

EXPLODED VIEW & PARTS LIST

HOOD SECTION - CABINET COMPONENTS

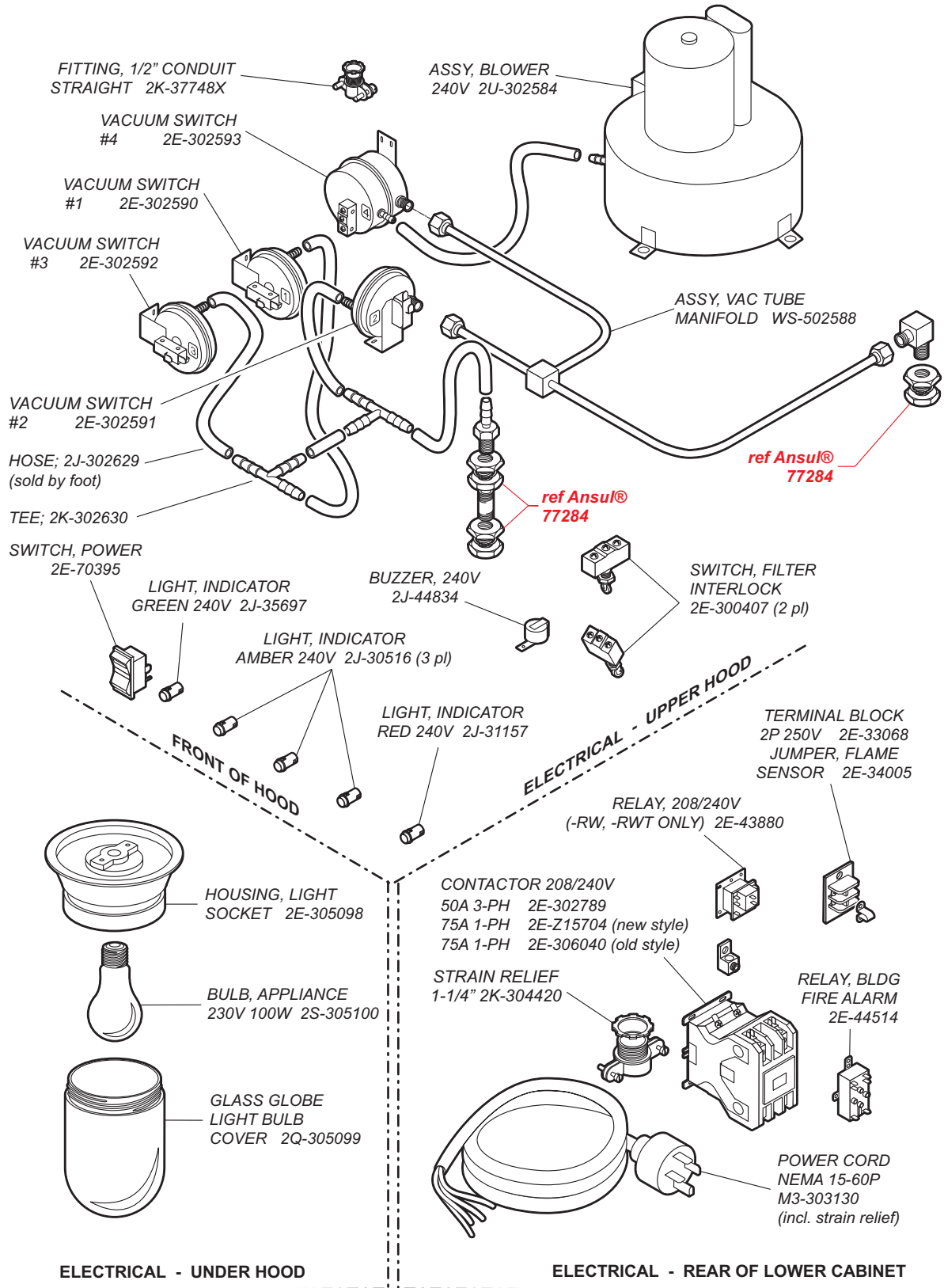


2M-Z21776 Service Manual MW-FG

IL1953a-PL507

EXPLODED VIEW & PARTS LIST

HOOD SECTION - ELECTRICAL & VACUUM COMPONENTS

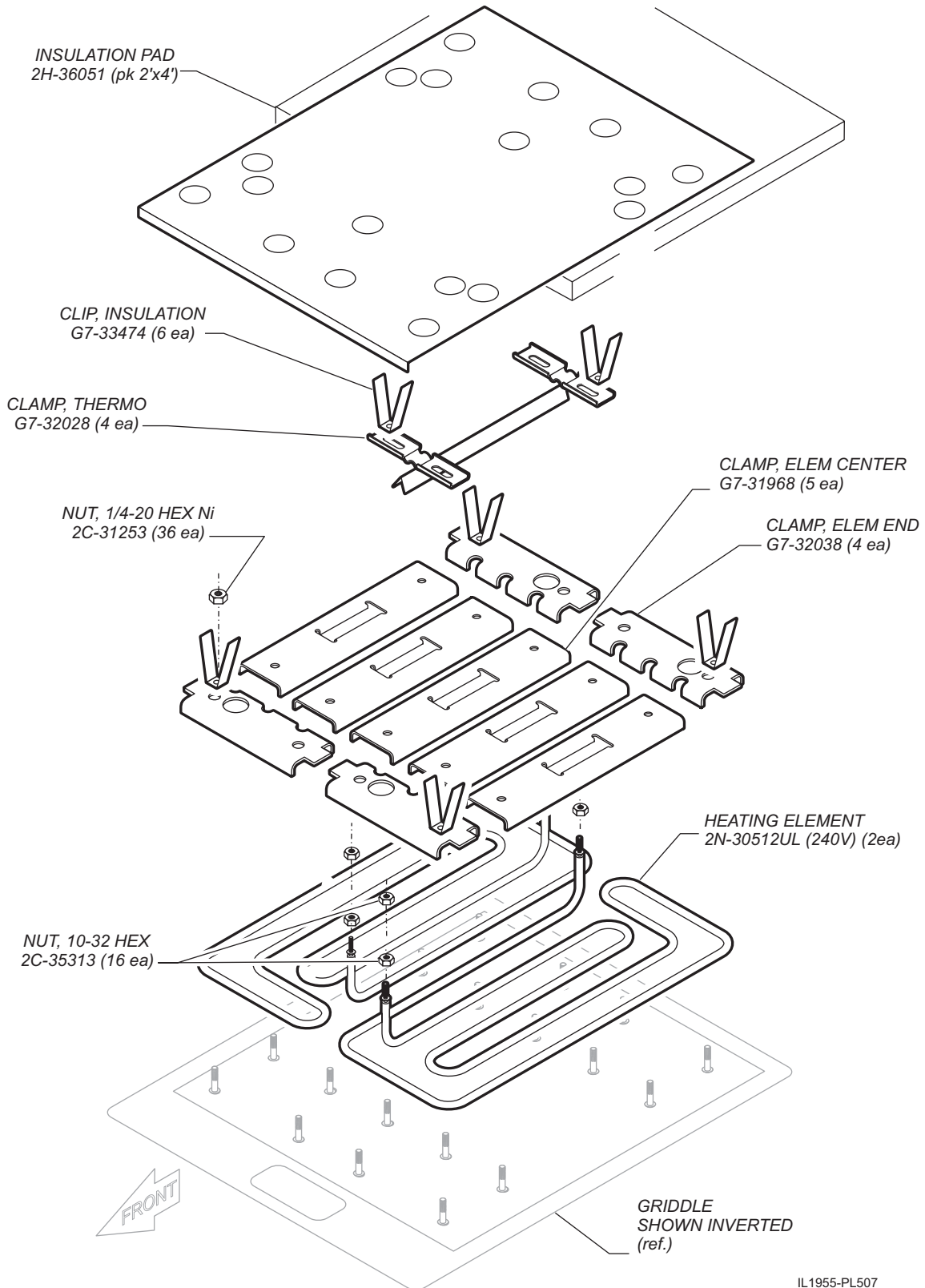


2M-Z21776 Service Manual WW-FG

IL1954c-PL507

EXPLODED VIEW & PARTS LIST

GRIDDLE SECTION - GRIDDLE PLATE & HEATING ELEMENT COMPONENTS

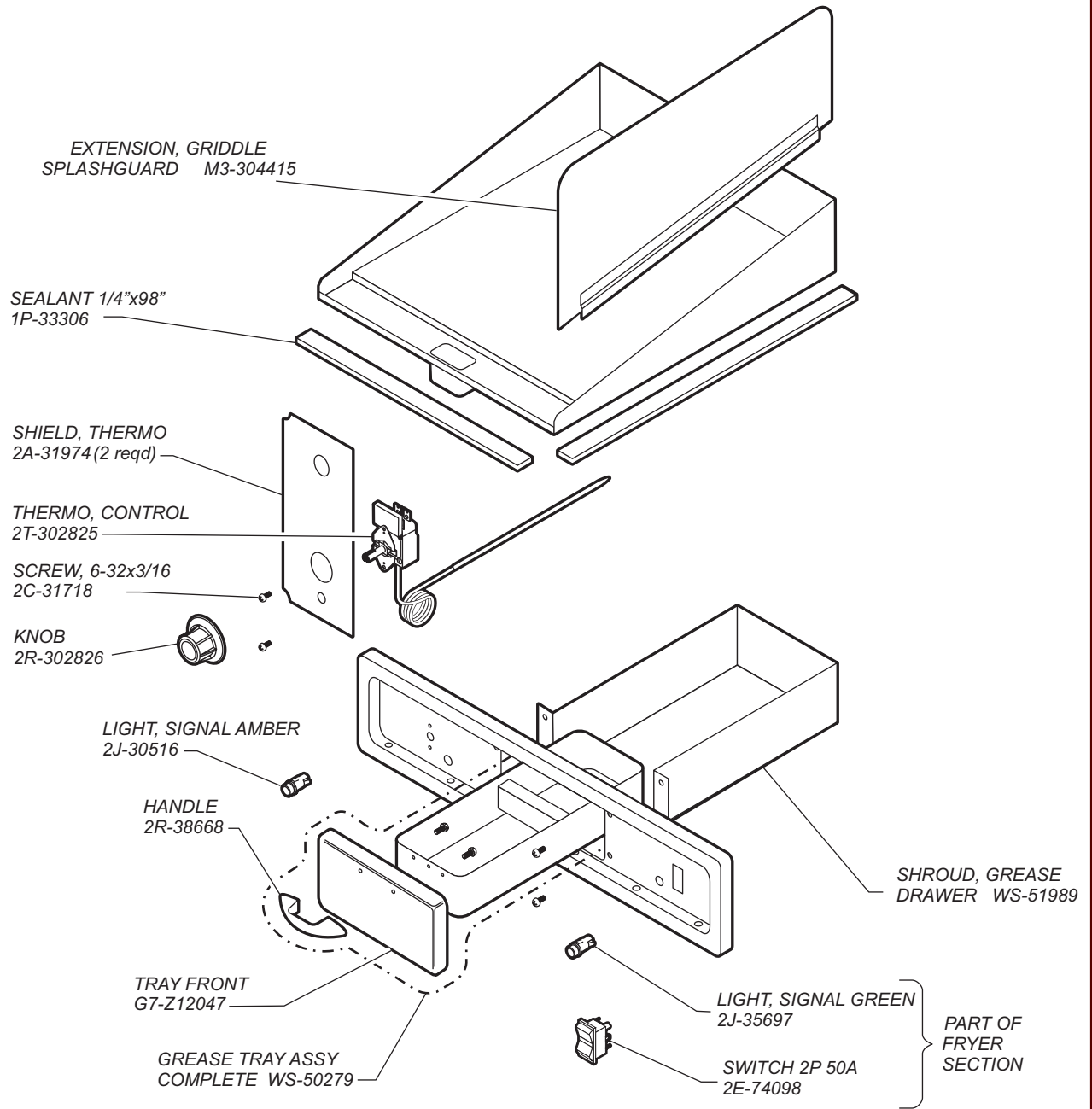


IL1955-PL507

2M-Z21776 Service Manual MW-FG

EXPLODED VIEW & PARTS LIST

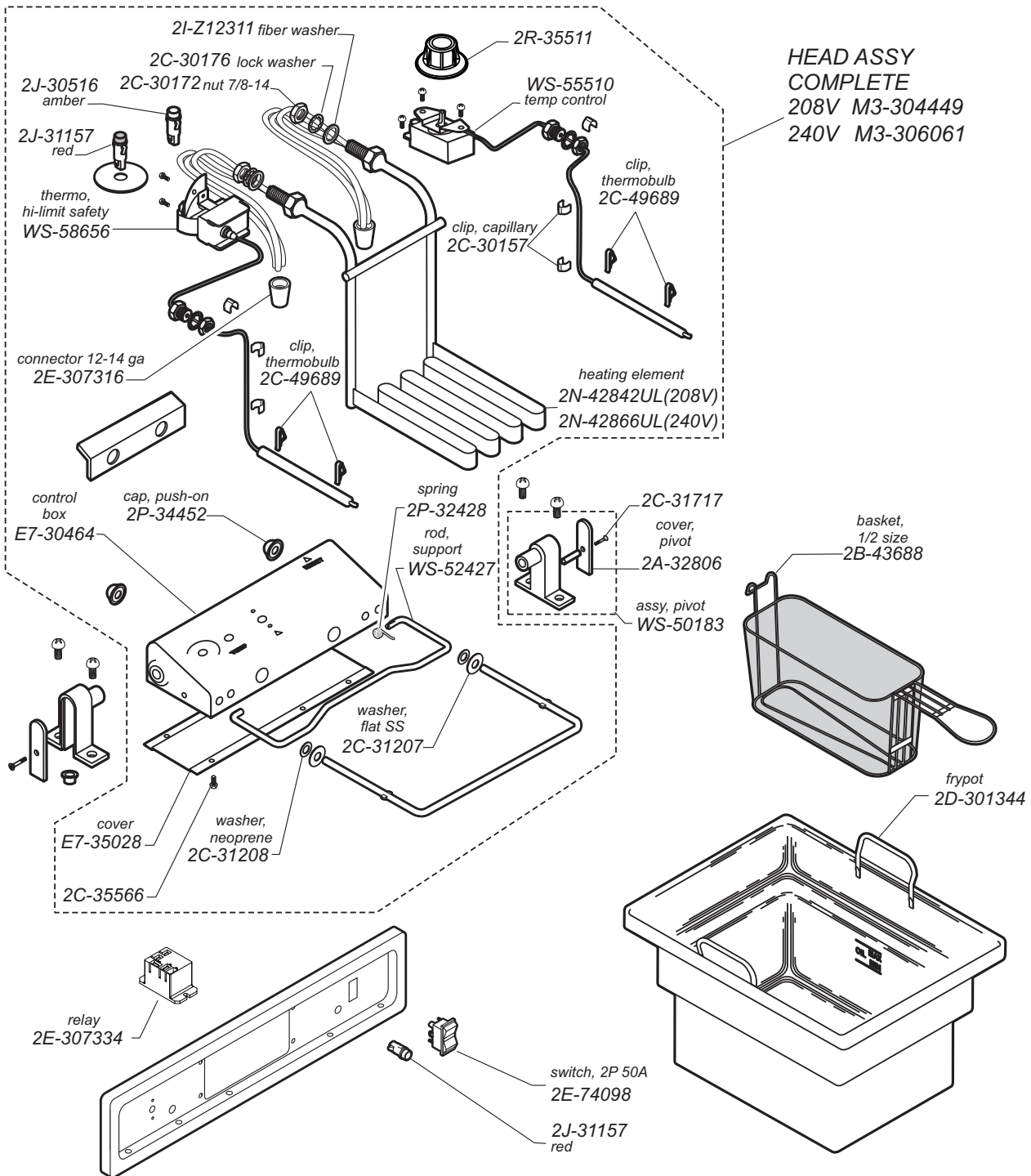
GRIDDLE SECTION - CABINET & ELECTRICAL COMPONENTS



2M-Z21776 Service Manual WW-FG

IL1956a-PL507

EXPLODED VIEW & PARTS LIST

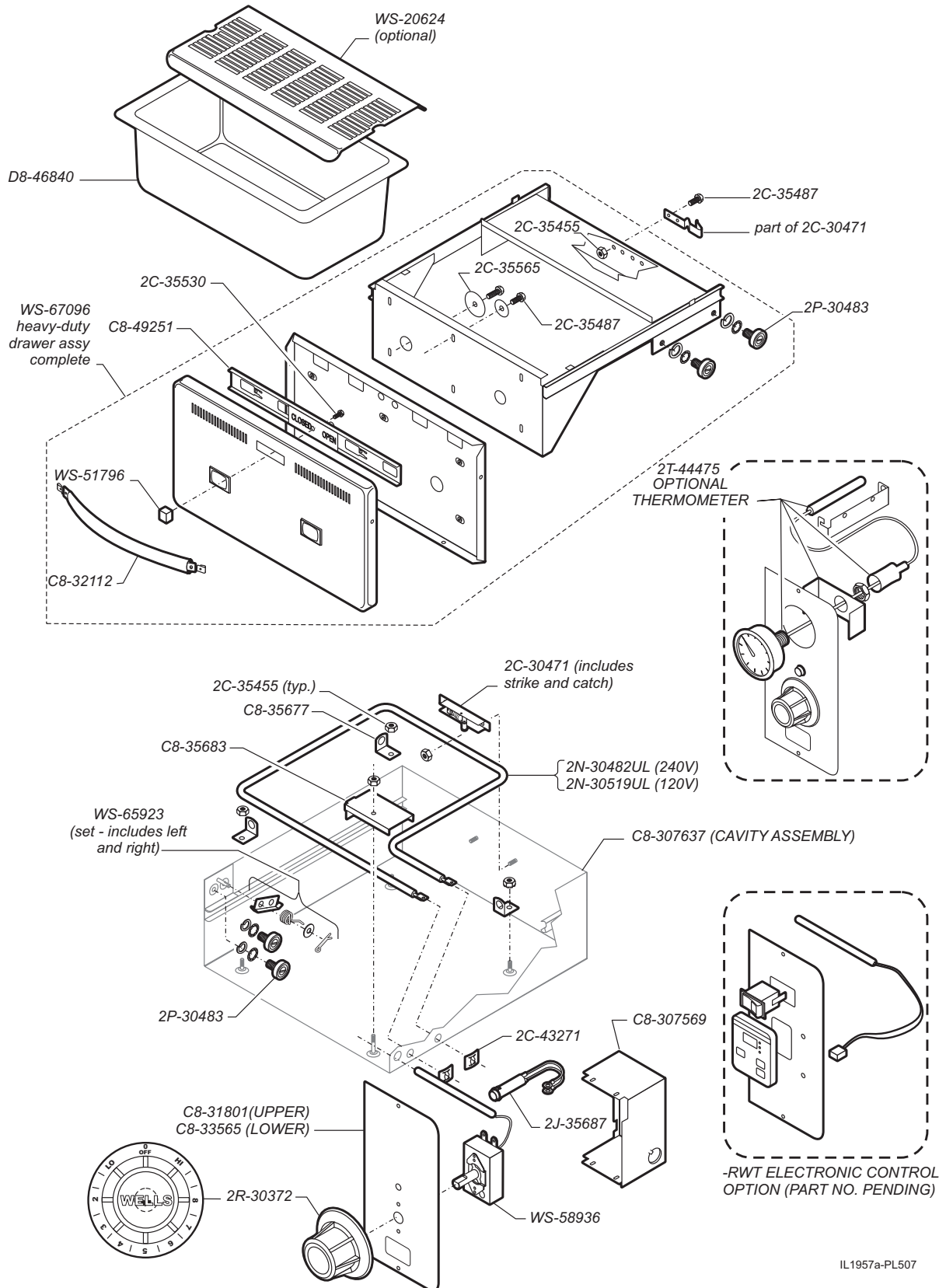


IL2318, Rev. C

2M-Z21776 Service Manual W-V-FG

EXPLODED VIEW & PARTS LIST

DRAWER WARMER SECTION - CABINET & ELECTRICAL COMPONENTS

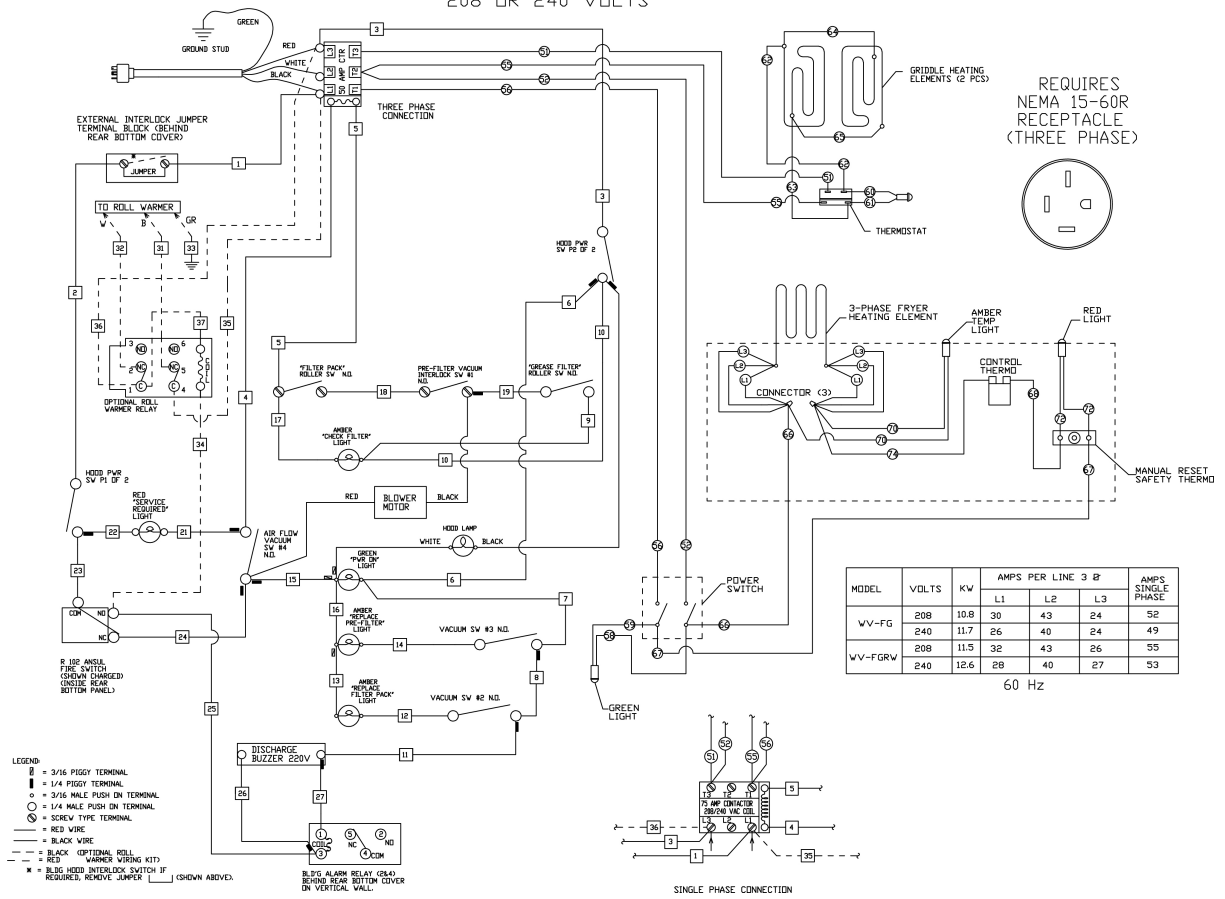


2M-Z21776 Service Manual WW-FG

IL1957a-PL507

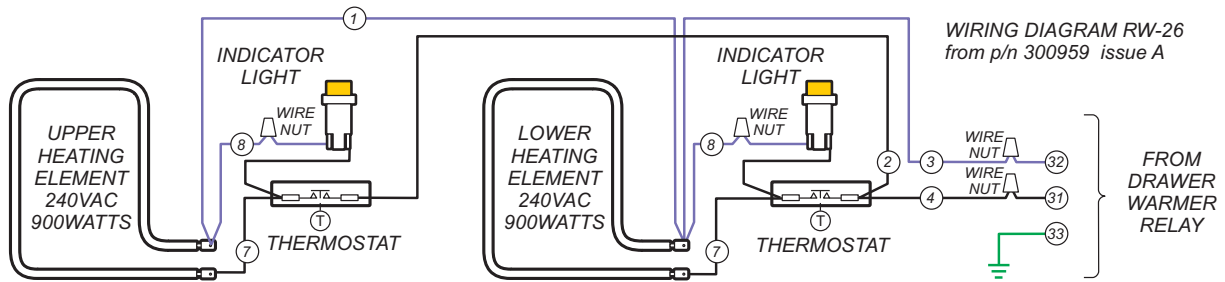
WIRING DIAGRAM

WIRING DIAGRAM FOR
MODEL WV-FG AND WV-FGRW
208 OR 240 VOLTS

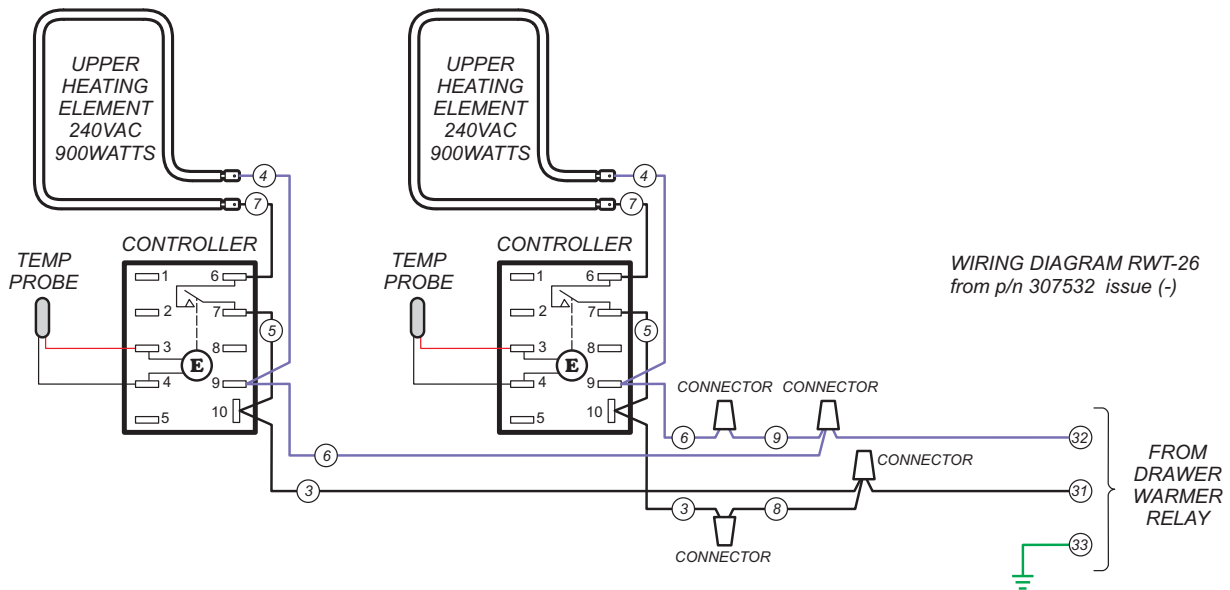


WIRING DIAGRAM

DRAWER WARMER SECTION (RW-STYLE)



DRAWER WARMER SECTION (RWT-STYLE)



DESCRIPTION

**SERVICE
PART NO.**

OVEN RACK Replacement	2B-50200-34
PRE-FILTER	2I-302579
PRE-FILTER CAGE	M3-302688
FILTER PACK (HI-EFFICIENCY + CHARCOAL)	M3-302775
GREASE BAFFLE	2I-302580
GREASE DRIP TRAY	M3-304405
LEG	2A-45598
CASTER	2P-43763
FRY BASKET, HALF-SIZE	2B-43688
FRY BASKET, FULL SIZE	2B-43689
CRUMB CRADLE, FRYER	WS-20690
FRYPOT,	2D-301344
COVER, FRYPOT	E7-34421
HUMITROL RACK	WS-20624
DRAWER WARMER PAN	DD-22412
WELLS BULLETIN (ANSUL® PARTS LIST)	DD-303331
<p>NOTE: Ansul® Manual 418087-05 and Wells Bulletin 303331 are intended for use by authorized Ansul® service personnel only. Ansul® Manual 418087-05 must be obtained through your authorized Ansul® distributor.</p>	

IMPORTANT: Use only factory authorized service parts and replacement filters.

For factory authorized service, or to order factory authorized replacement parts, contact your Wells authorized service agency, or call:

Wells Manufacturing

265 Hobson Street
Smithville, Tennessee 37166 U.S.A.

Service Dept.

phone: (314) 678-6314
fax: (314) 781-2714

Service Parts Department can supply you with the name and telephone number of the **WELLS AUTHORIZED SERVICE AGENCY** nearest you.

CUSTOMER SERVICE DATA

please have this information available if calling for service

RESTAURANT _____ LOCATION _____
 INSTALLATION DATE _____ TECHNICIAN _____
 SERVICE COMPANY _____
 ADDRESS _____ STATE _____ ZIP _____
 TELEPHONE NUMBER (____) _____ - _____

EQUIPMENT MODEL NO. _____
 EQUIPMENT SERIAL NO. _____
 VOLTAGE: (check one) 208 240



SERVICE TRAINING - QUALITY SERVICE



CUSTOMER SATISFACTION



WELLS MANUFACTURING

265 Hobson Street, Smithville, Tennessee 37166

telephone: 314-678-6314

fax: 314-781-2714

www.wells-mfg.com